



US00D721249S

(12) **United States Design Patent**  
**Kienle**

(10) **Patent No.:** **US D721,249 S**  
(45) **Date of Patent:** **\*\* Jan. 20, 2015**

- (54) **CUP WITH SCREW CAP**
- (71) Applicant: **Innoprax AG**, Meggen (CH)
- (72) Inventor: **Erich Kienle**, Udligenswil (CH)
- (73) Assignee: **Innoprax AG**, Meggen (CH)
- (\*\*) Term: **14 Years**
- (21) Appl. No.: **29/446,208**
- (22) Filed: **Feb. 21, 2013**
- (30) **Foreign Application Priority Data**

6,659,302	B2	12/2003	Lin	
D485,730	S	1/2004	Thun	
6,758,390	B2	7/2004	Sarson et al.	
D516,424	S	3/2006	Schweigert et al.	
D529,762	S	10/2006	Schweigert et al.	
D545,623	S	* 7/2007	Renz et al. ....	D7/510
D609,046	S	* 2/2010	Valderrama et al. ....	D7/392.1
D618,500	S	6/2010	Hardaway	
D637,456	S	* 5/2011	Creech et al. ....	D7/523
D647,753	S	* 11/2011	Lin	D7/392.1
D653,493	S	* 2/2012	Enghard	D7/300.1
D658,057	S	* 4/2012	Donat	D9/447
8,196,772	B2	6/2012	Leon et al.	
D664,001	S	* 7/2012	Liu	D7/510
D667,558	S	* 9/2012	Hakim	D7/510
D668,544	S	* 10/2012	Stephan et al. ....	D9/453
D672,611	S	* 12/2012	Kluger	D7/523
2007/0215618	A1	* 9/2007	Wright et al. ....	220/62.12

Aug. 22, 2012 (EM) ..... DM/079 178

- (51) **LOC (10) Cl.** ..... **07-01**
- (52) **U.S. Cl.**  
USPC ..... **D7/510**
- (58) **Field of Classification Search**  
CPC ..... A47G 19/22-19/2211; A47G  
19/2266-19/2272  
USPC ..... D7/509-511, 392.1, 392.2, 523, 532,  
D7/396.1-396.3, 900; 220/703, 705, 710,  
220/711, 713, 715, 592.16, 592.17;  
D9/447, 453

See application file for complete search history.

(56) **References Cited**  
U.S. PATENT DOCUMENTS

4,186,842	A	2/1980	Albert	
4,428,498	A	1/1984	Obey	
5,409,131	A	4/1995	Phillips et al.	
5,509,568	A	4/1996	Warden et al.	
5,588,552	A	12/1996	Johnson	
5,645,191	A	7/1997	Neville	
6,374,726	B1	* 4/2002	Melton	99/323
D457,778	S	* 5/2002	Randolph et al. ....	D7/392.1

\* cited by examiner

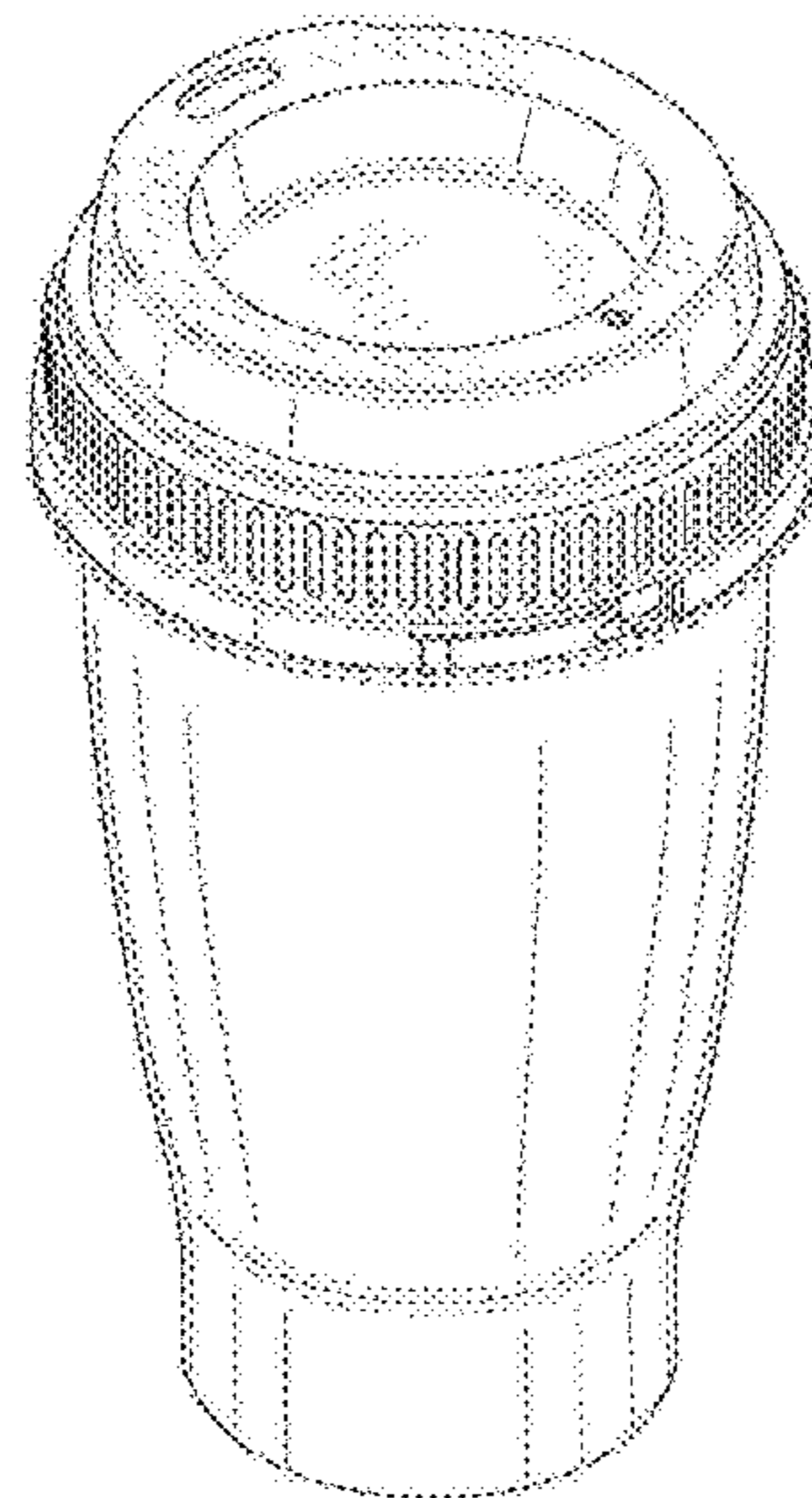
*Primary Examiner* — Susan Bennett Hattan  
*Assistant Examiner* — Brett Miller  
(74) *Attorney, Agent, or Firm* — Dority & Manning, P.A.

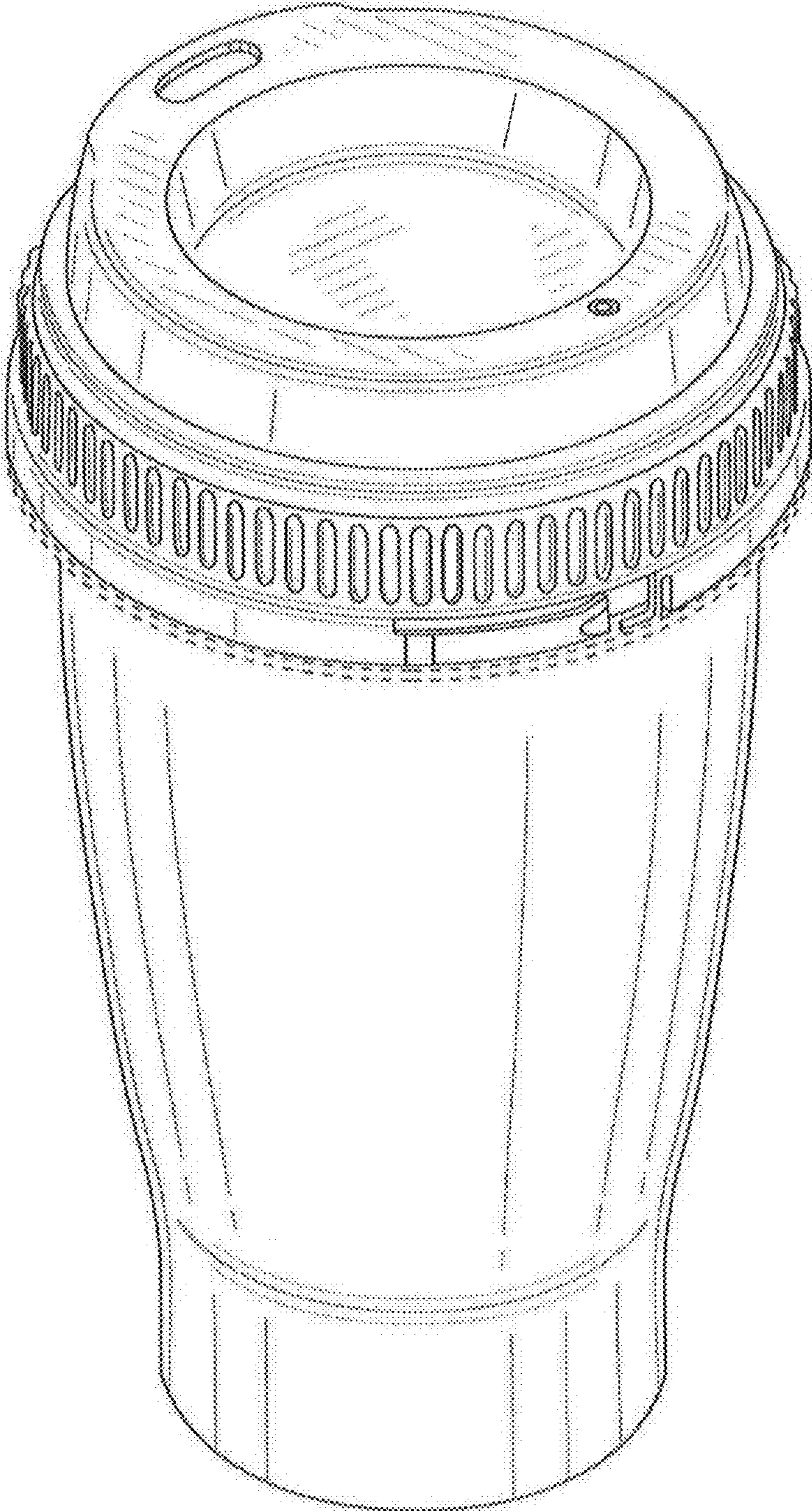
(57) **CLAIM**  
The ornamental design for a cup with screw cap, as shown and described.

**DESCRIPTION**

FIG. 1 is a perspective view of a cup and screw cap; FIG. 2 is a front plan view of the cup with screw cap of FIG. 1; FIG. 3 is a back plan view of the cup with screw cap of FIG. 1; and, FIG. 4 is a top plan view of the cup with screw cap of FIG. 1. No bottom view is included because the bottom plays no part in the claimed design. The dashed lines indicate environmental structure that forms no part of the claimed ornamental design.

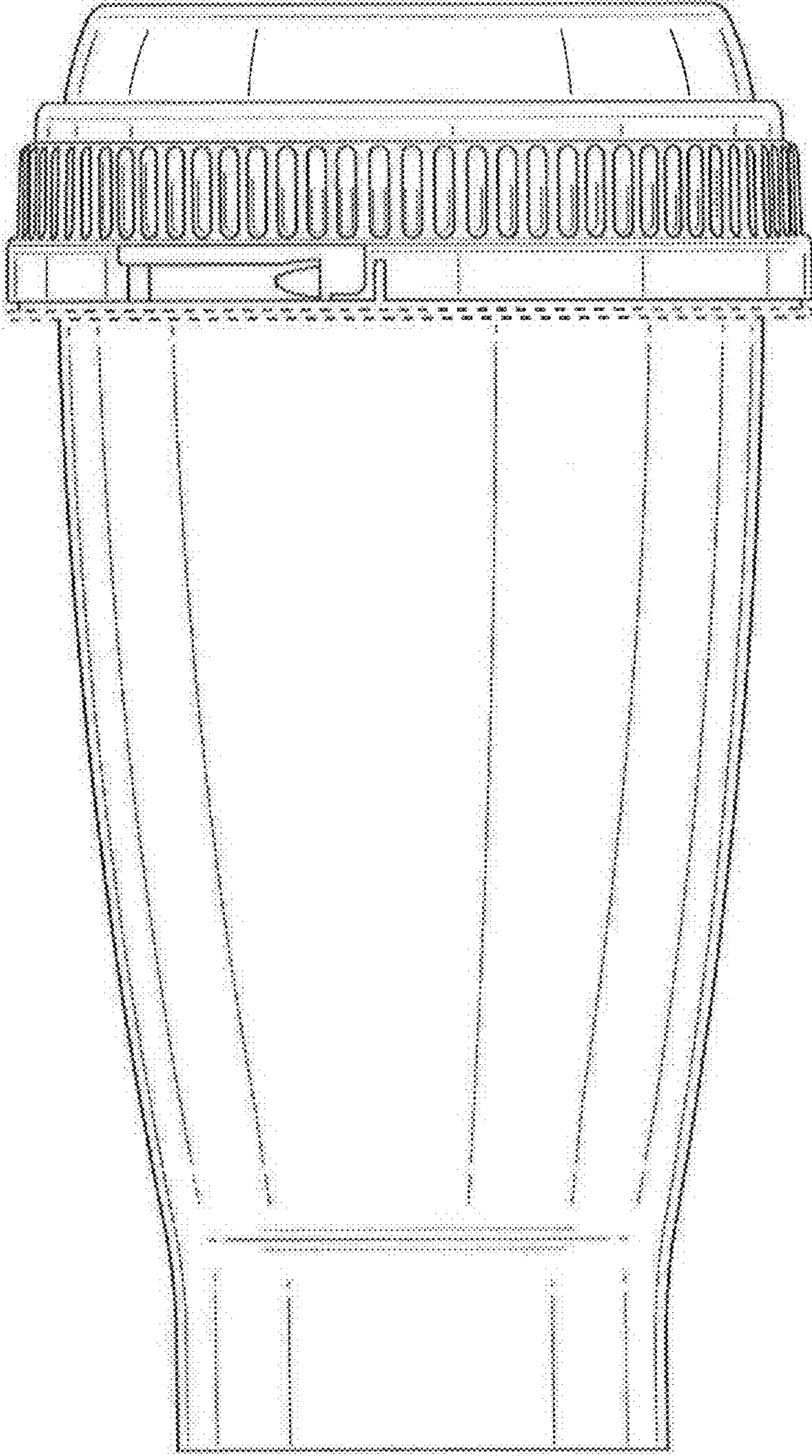
**1 Claim, 4 Drawing Sheets**



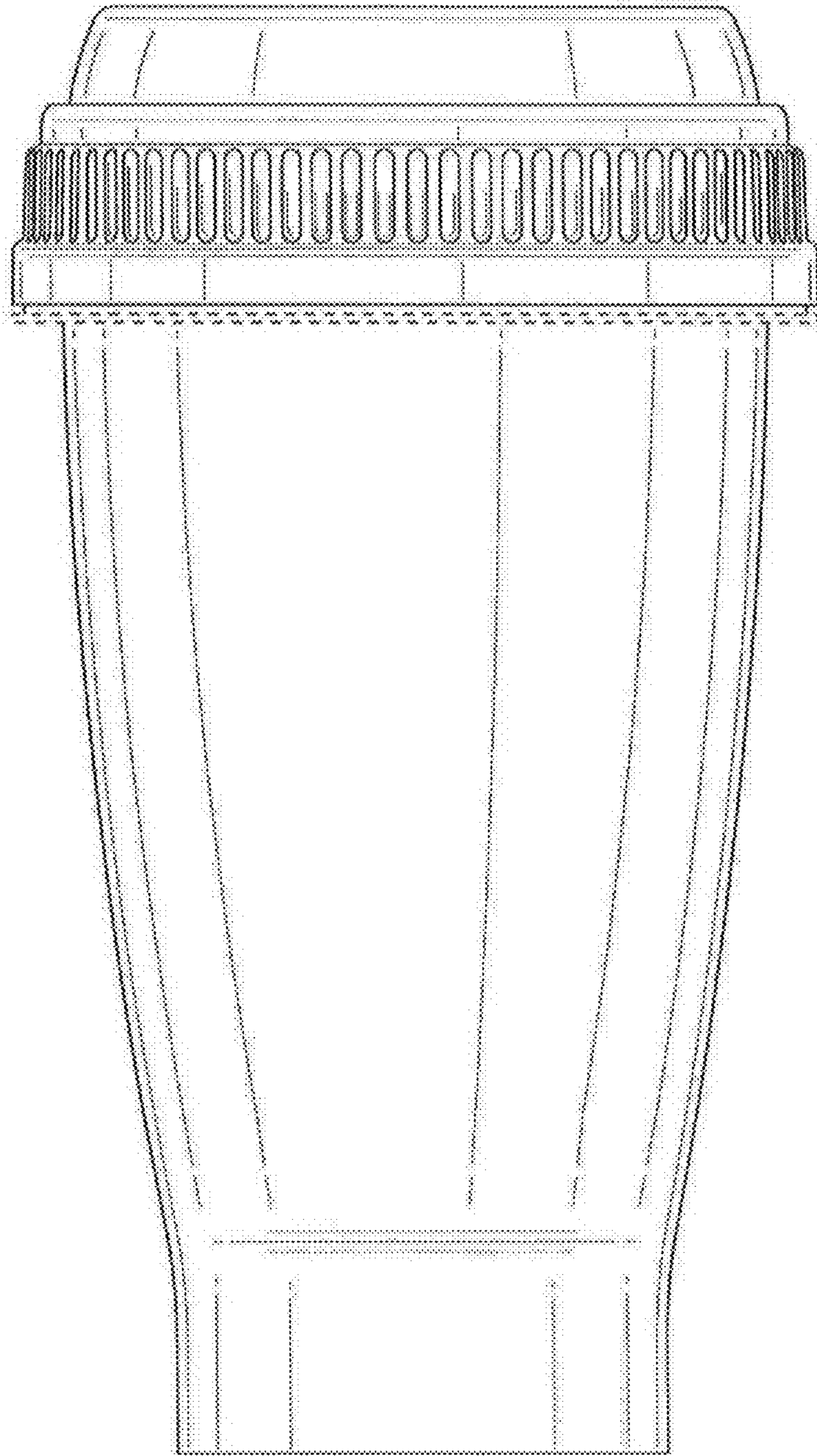


**FIG. 1**



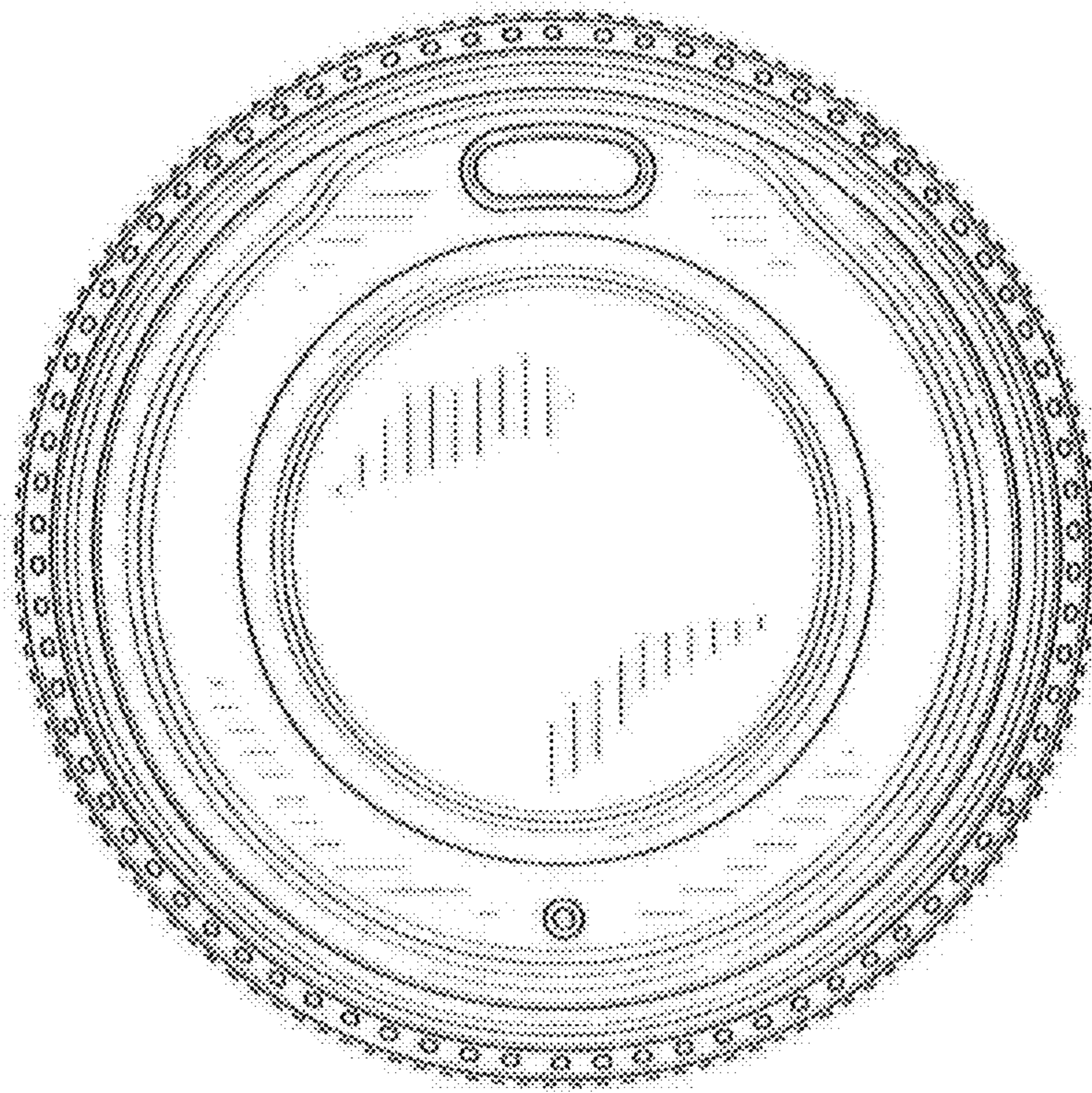


**FIG. 2**



**FIG. 3**





**FIG. 4**