

US00D721247S

(12) **United States Design Patent**
Manly et al.

(10) **Patent No.:** **US D721,247 S**
(45) **Date of Patent:** **** Jan. 20, 2015**

(54) **BEVERAGE MACHINE**

(71) Applicant: **Keurig, Incorporated**, Reading, MA (US)

(72) Inventors: **David Manly**, Duxbury, MA (US);
Karen Gallagher, Andover, MA (US);
Scott M. Vogel, Salem, MA (US); **James E. Shepard**, Marblehead, MA (US);
Stoyan Hristov, Billerica, MA (US);
Gregory Hurley, Dracut, MA (US);
Paul K. Metaxatos, Swampscott, MA (US); **Steffen F. Koury**, Everett, MA (US)

(73) Assignee: **Keurig Green Mountain, Inc.**, Waterbury, VT (US)

(**) Term: **14 Years**

(21) Appl. No.: **29/473,447**

(22) Filed: **Nov. 21, 2013**

(51) **LOC (10) Cl.** **07-01**

(52) **U.S. Cl.**
USPC **D7/397; D7/306**

(58) **Field of Classification Search**
USPC D7/306-311, 301, 300, 326, 386,
D7/397-399; 99/281, 305, 307; 141/247;
222/129.1, 129.3, 145.6; D24/197
See application file for complete search history.

(56) **References Cited**

U.S. PATENT DOCUMENTS

D513,572 S *	1/2006	Schaffeld et al.	D7/309
D538,577 S *	3/2007	Glucksman et al.	D7/306
D544,299 S *	6/2007	Schaffeld et al.	D7/397
D608,132 S *	1/2010	Bertolina	D7/309
D637,859 S *	5/2011	Orkney et al.	D7/306
D649,390 S *	11/2011	Santoiemmo	D7/306
D663,158 S *	7/2012	Jacquet et al.	D7/393

8,210,095 B2 *	7/2012	Brezovnik et al.	99/295
8,250,972 B2 *	8/2012	Santoiemmo	99/323.2
D667,674 S *	9/2012	Wilder et al.	D7/306
D674,232 S *	1/2013	Lavy et al.	D7/309
D674,233 S *	1/2013	Lavy et al.	D7/309
D683,174 S *	5/2013	Regamey	D7/306
D696,903 S *	1/2014	Burrows	D7/401
8,677,888 B2 *	3/2014	Santoiemmo	99/323.2

(Continued)

FOREIGN PATENT DOCUMENTS

JP	D1470496	5/2013
KR	30-0655357	8/2012
TW	D117641	6/2007

Primary Examiner — Marianne Pandozzi

(74) *Attorney, Agent, or Firm* — Wolf, Greenfield & Sacks, P.C.

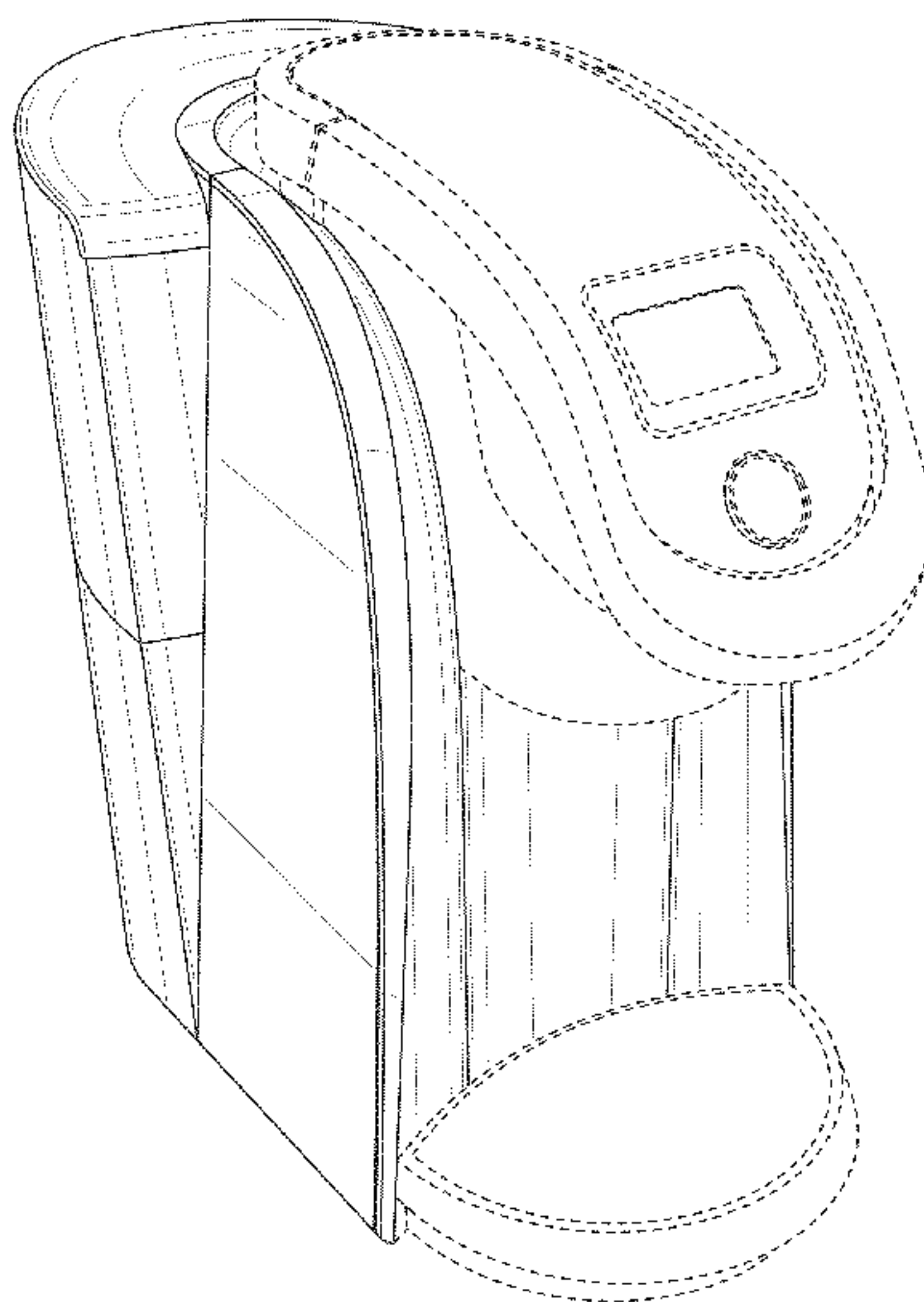
(57) **CLAIM**

The ornamental design for a beverage machine, as shown and described.

DESCRIPTION

FIG. 1 is a top, front, left perspective view of the beverage machine;
FIG. 2 is a top, front, right perspective view of the FIG. 1 embodiment;
FIG. 3 is a top, rear, right perspective view of the FIG. 1 embodiment;
FIG. 4 is a top, rear, left perspective view of the FIG. 1 embodiment;
FIG. 5 is a front view of the FIG. 1 embodiment;
FIG. 6 is a rear view of the FIG. 1 embodiment;
FIG. 7 is a left side view of the FIG. 1 embodiment;
FIG. 8 is a right side view of the FIG. 1 embodiment; and,
FIG. 9 is a top view of the FIG. 1 embodiment.
Features shown in dashed lines form no part of the claimed invention.

1 Claim, 9 Drawing Sheets



US D721,247 S

Page 2

(56)

References Cited

U.S. PATENT DOCUMENTS

			2007/0056994	A1*	3/2007	Woodnorth et al.	222/221
			2008/0134902	A1*	6/2008	Zimmerman et al.	99/302 R
			2010/0024658	A1*	2/2010	Jacobs et al.	99/302 R
D702,984	S	*	4/2014	Hanneson et al.		D7/306	
8,833,241	B2	*	9/2014	Santoiemmo		99/323.2	

* cited by examiner

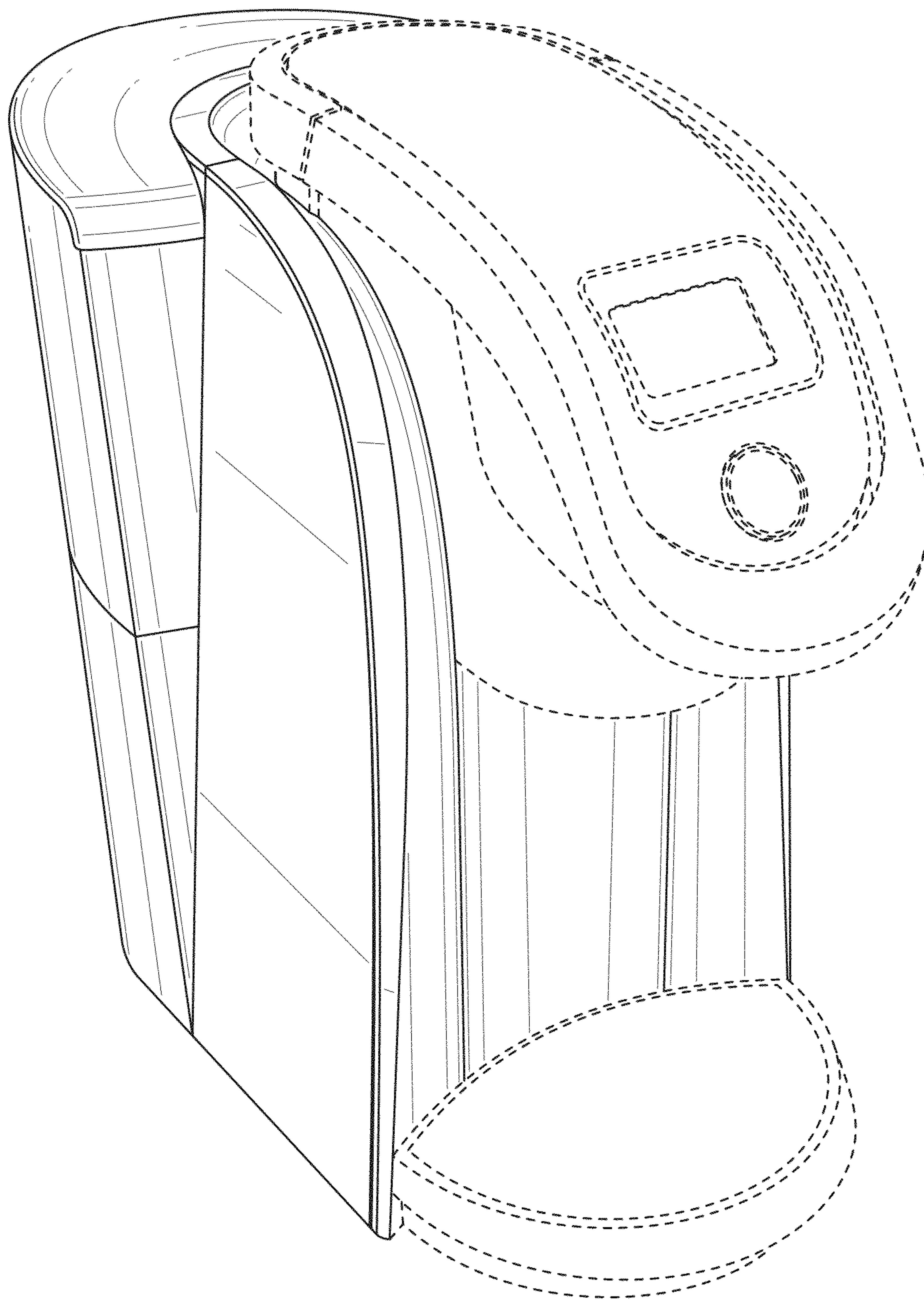


FIG. 1

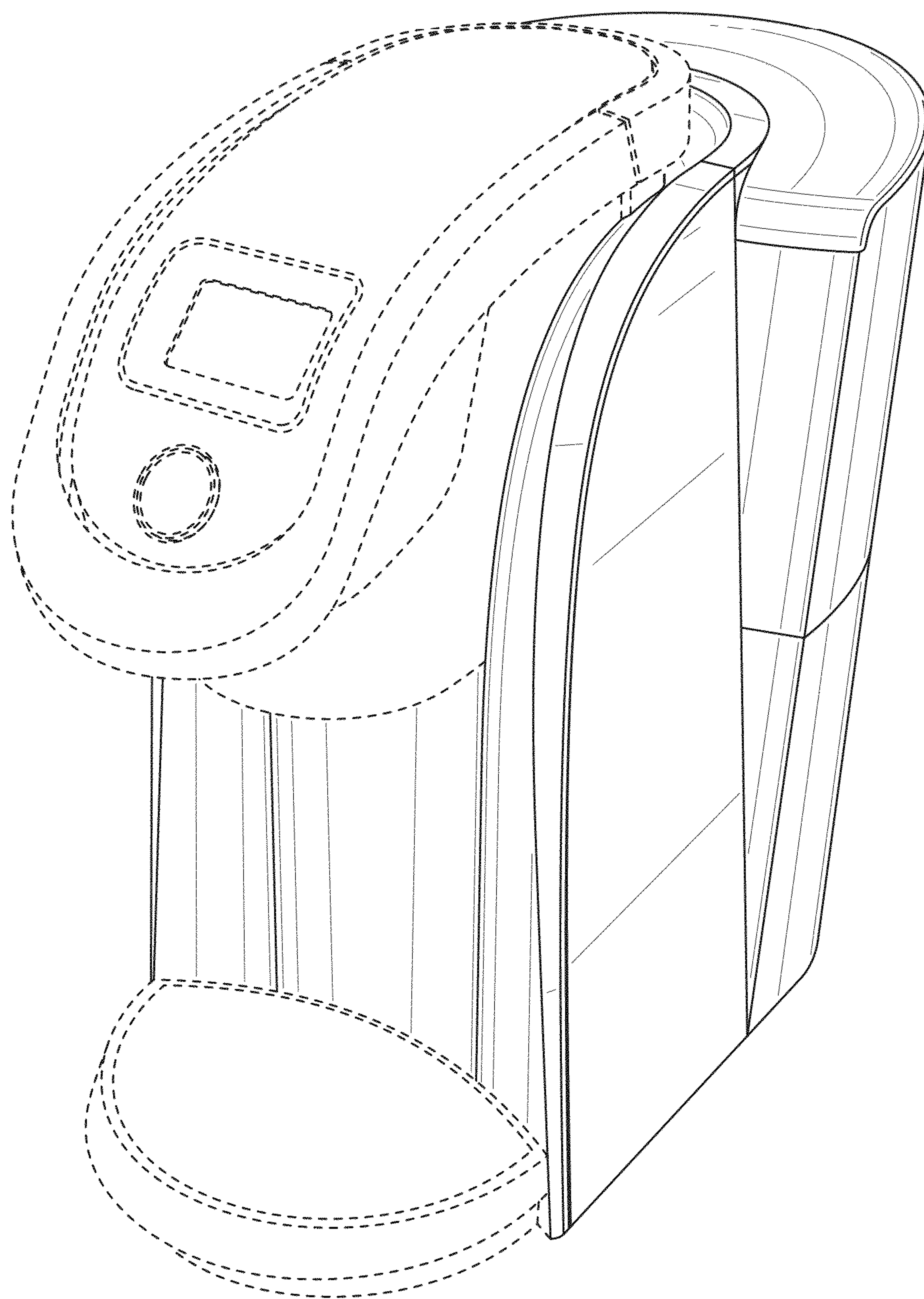


FIG. 2

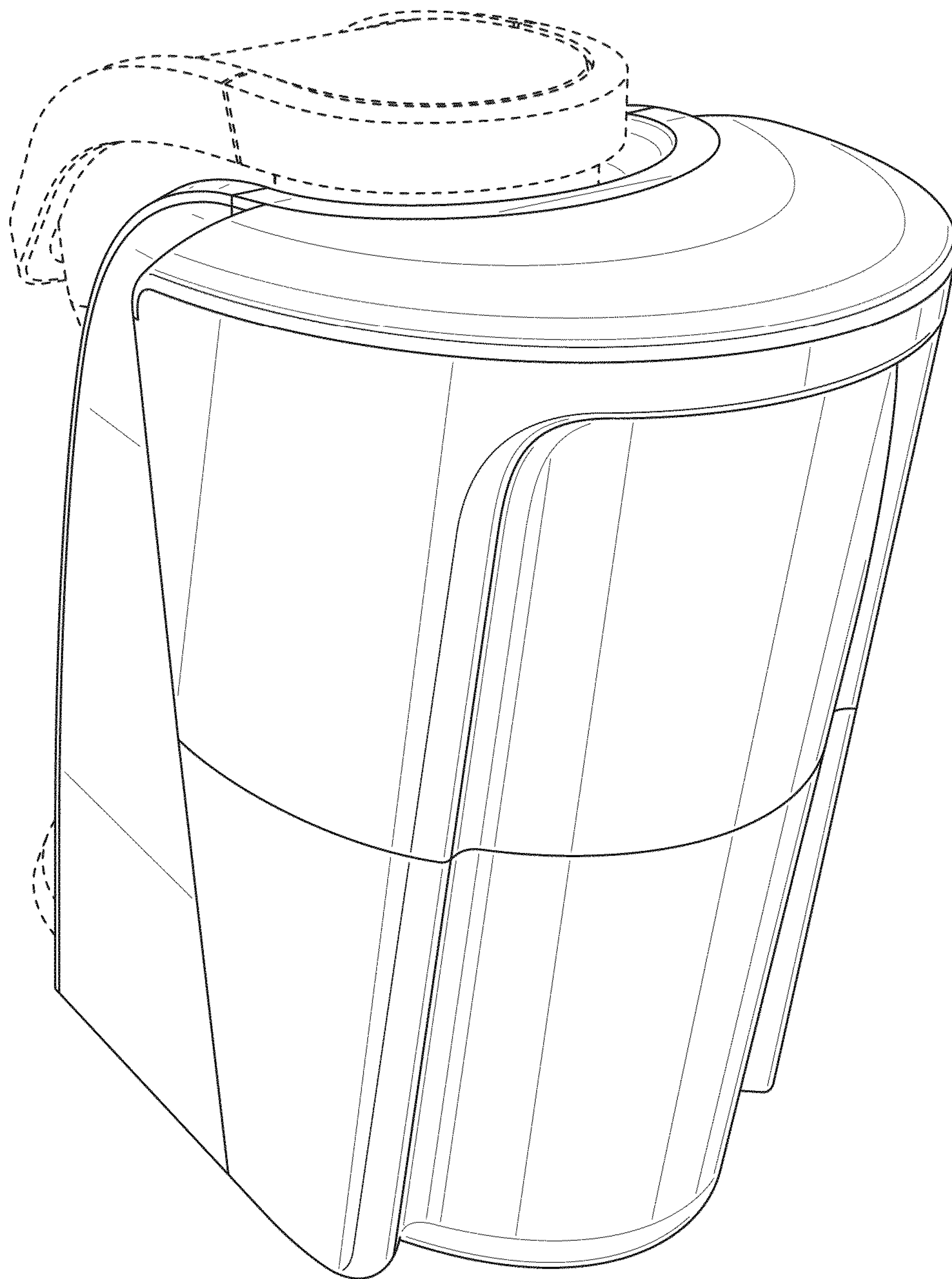


FIG. 3

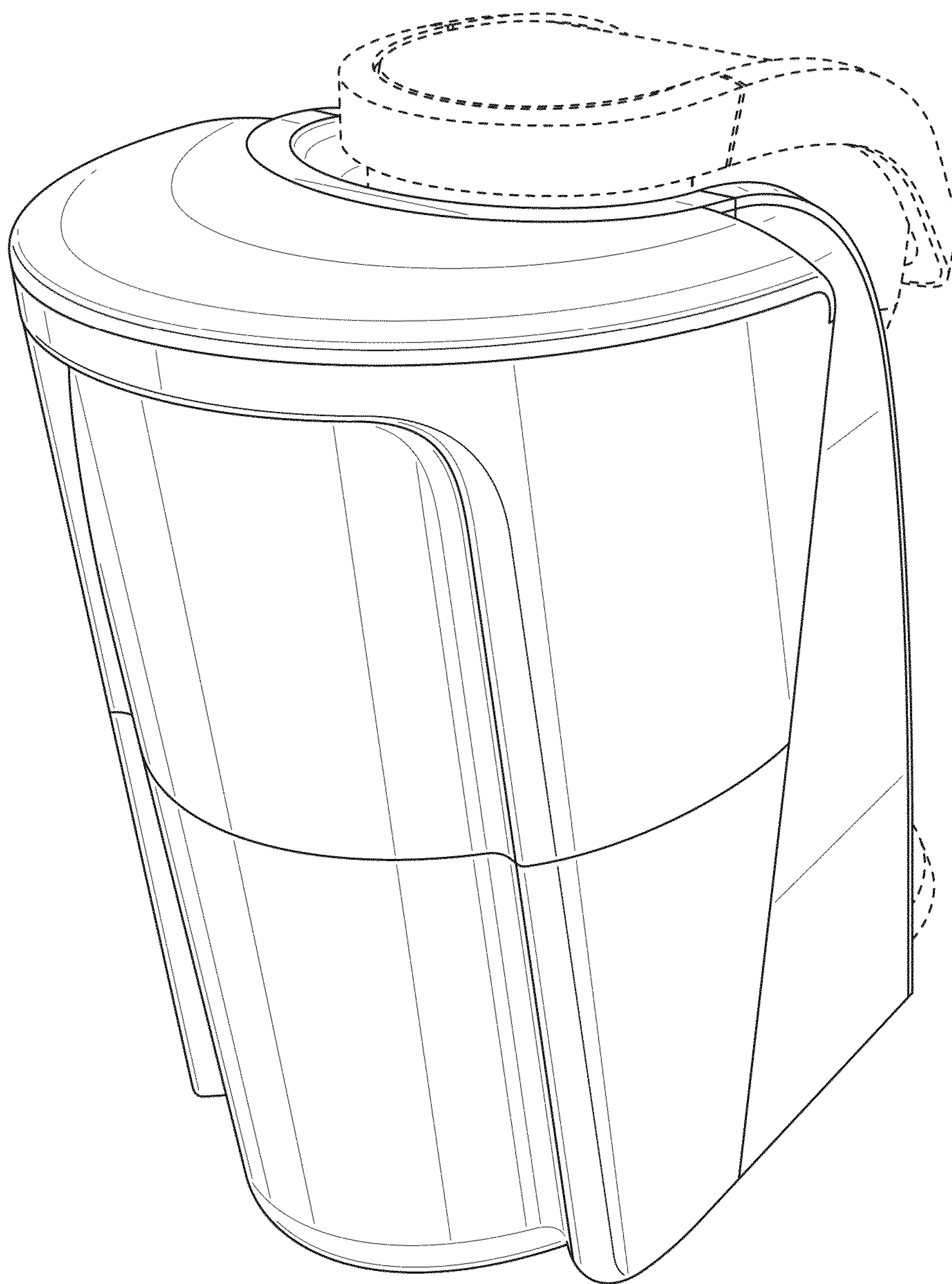


FIG. 4

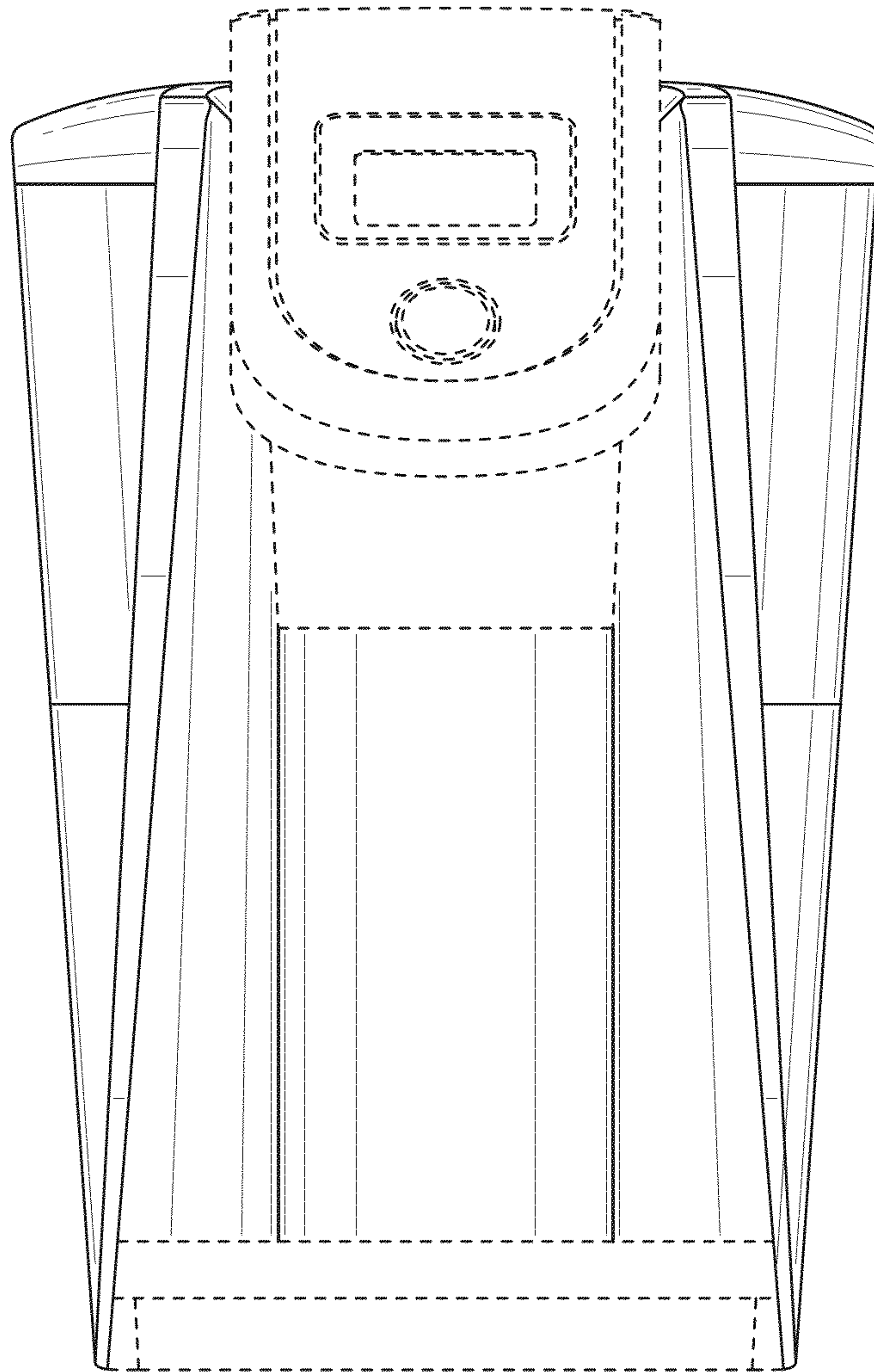


FIG. 5

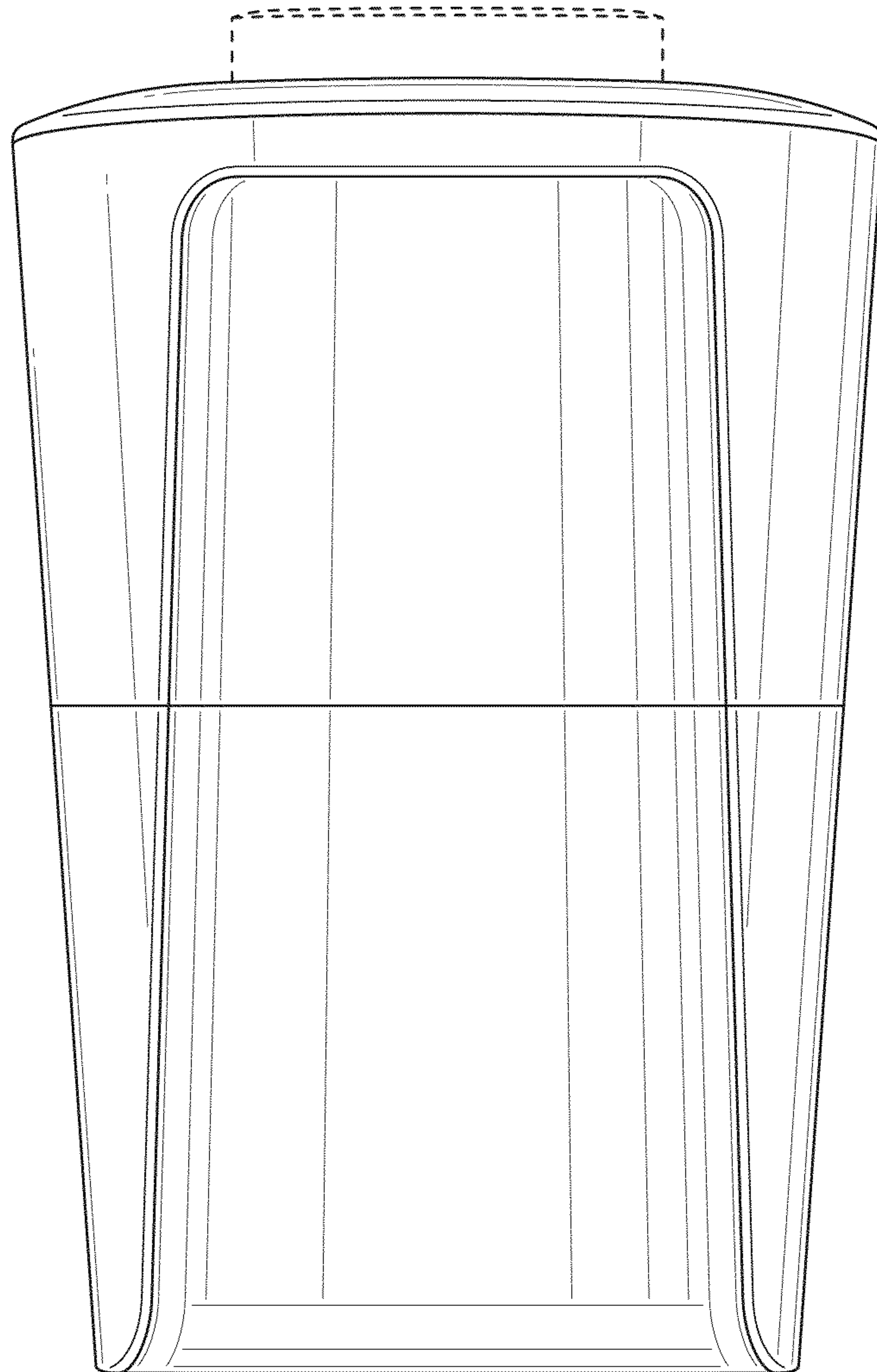


FIG. 6

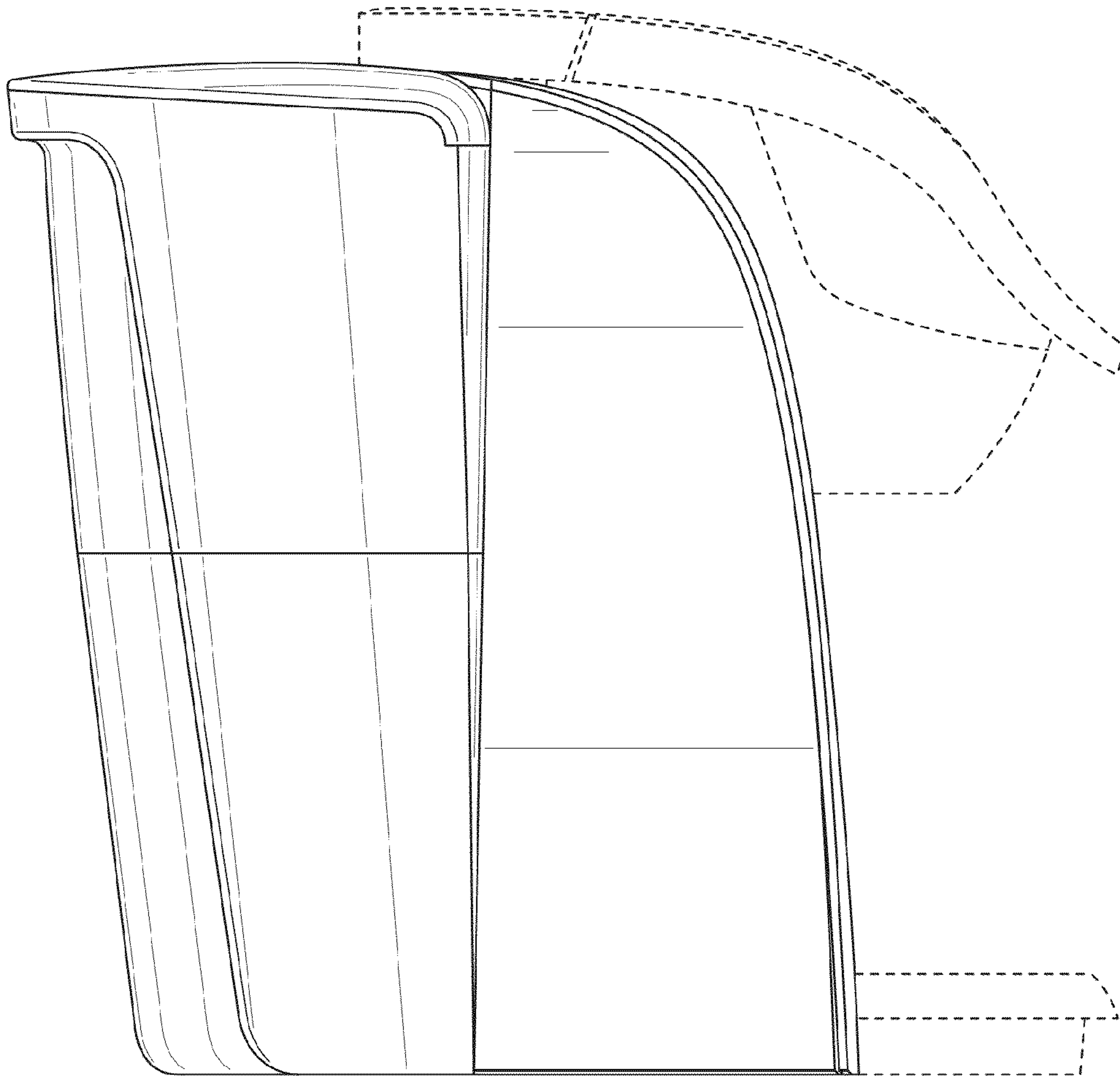


FIG. 7

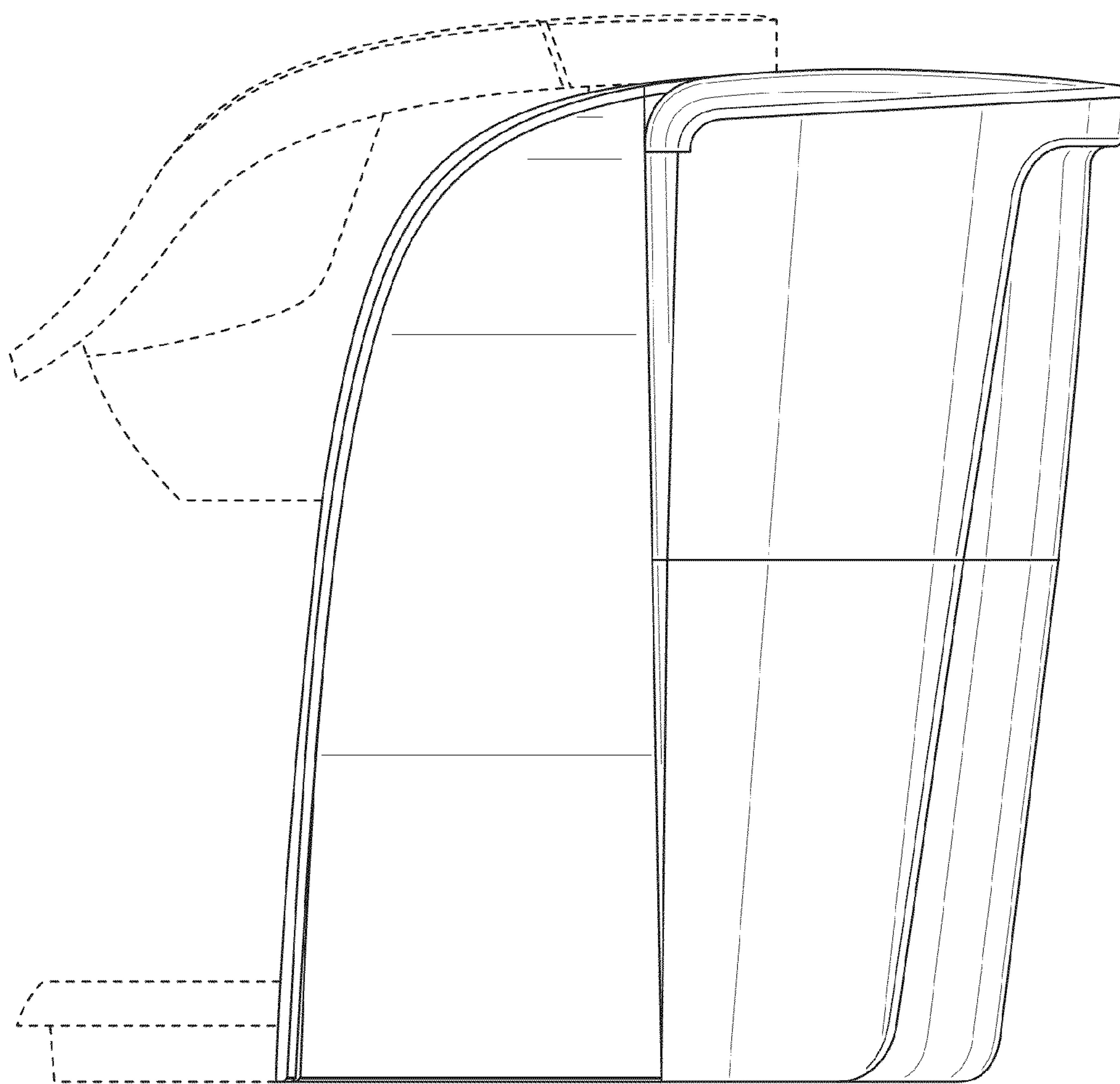


FIG. 8

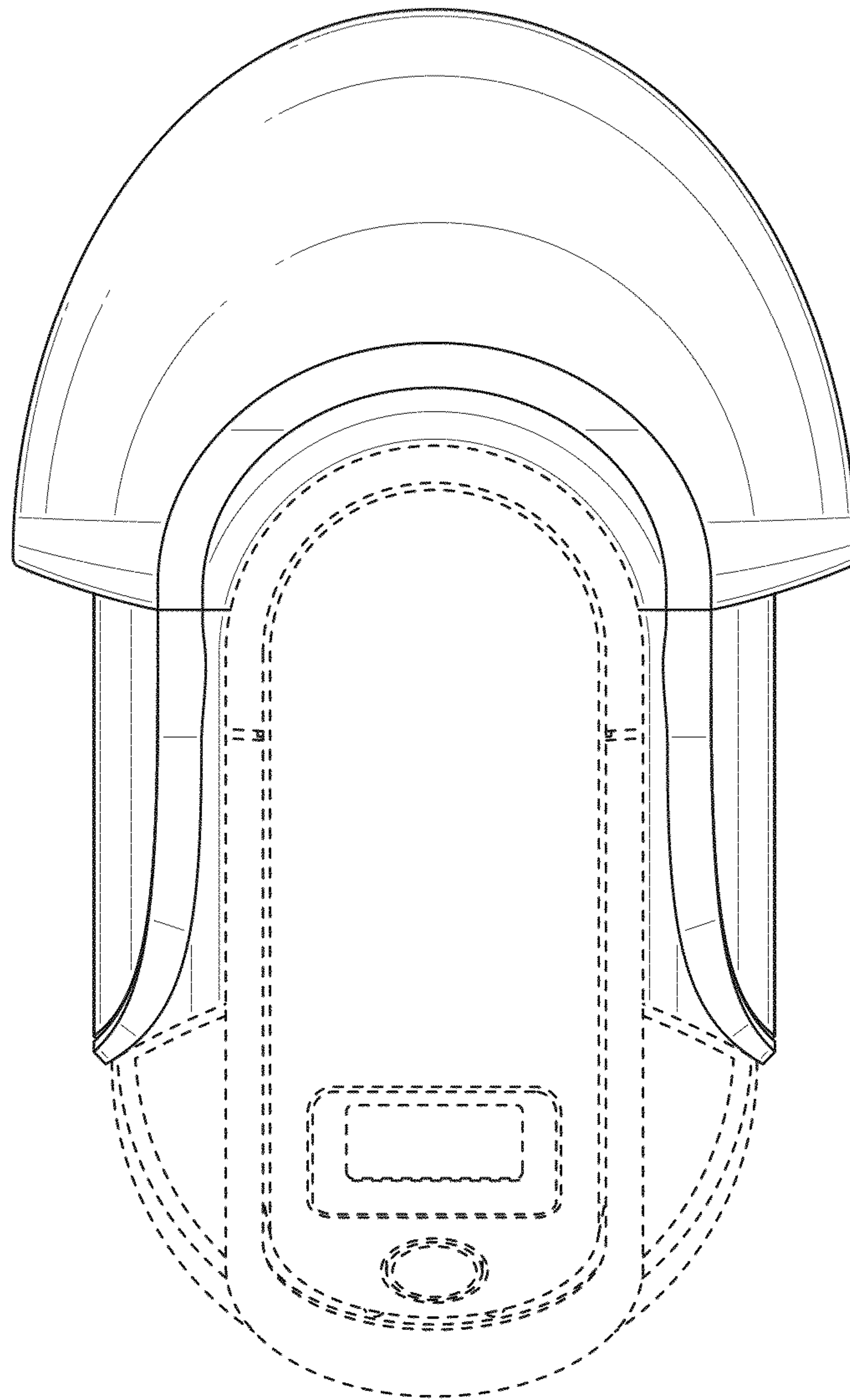


FIG. 9