



US00D721246S

(12) **United States Design Patent**
Thurin et al.

(10) **Patent No.:** **US D721,246 S**
(45) **Date of Patent:** **** Jan. 20, 2015**

(54) **CONTAINER**
(71) Applicant: **S.C. Johnson & Son, Inc.**, Racine, WI (US)
(72) Inventors: **Matthew N. Thurin**, Wauwatosa, WI (US); **Rishabh Singh**, Milwaukee, WI (US); **Christopher M. Wlezien**, Chicago, IL (US); **Peter I. Capraro**, San Francisco, CA (US); **Allan Freas Velzy**, Boston, MA (US)

D279,251 S 6/1985 Daenen et al.
4,562,937 A 1/1986 Iyengar
4,700,842 A 10/1987 Grusin
4,742,935 A 5/1988 Schellenberg
4,844,263 A 7/1989 Hadtke
4,899,925 A 2/1990 Bowden et al.
4,951,832 A 8/1990 Tenney et al.
5,184,745 A 2/1993 Havens et al.

(Continued)

FOREIGN PATENT DOCUMENTS

GB Des. 4021888 10/2011
WO WO 2012/009035 A1 1/2012

OTHER PUBLICATIONS

Co-pending U.S. Appl. No. 29/461,249, filed Jul. 19, 2013.

(Continued)

Primary Examiner — George D Kirschbaum
Assistant Examiner — Kendra L Hamilton
(74) *Attorney, Agent, or Firm* — Sterne, Kessler, Goldstein & Fox P.L.L.C.

(73) Assignee: **S. C. Johnson & Son, Inc.**, Racine, WI (US)

(**) Term: **14 Years**

(21) Appl. No.: **29/461,257**

(22) Filed: **Jul. 19, 2013**

(51) **LOC (10) Cl.** **07-01**

(52) **U.S. Cl.**
USPC **D7/392.1**

(58) **Field of Classification Search**
CPC B65D 21/0209; B65D 43/02
USPC D7/392.1, 391, 392, 397; 220/212, 213;
D9/451, 435, 452; 215/11.1, 41
See application file for complete search history.

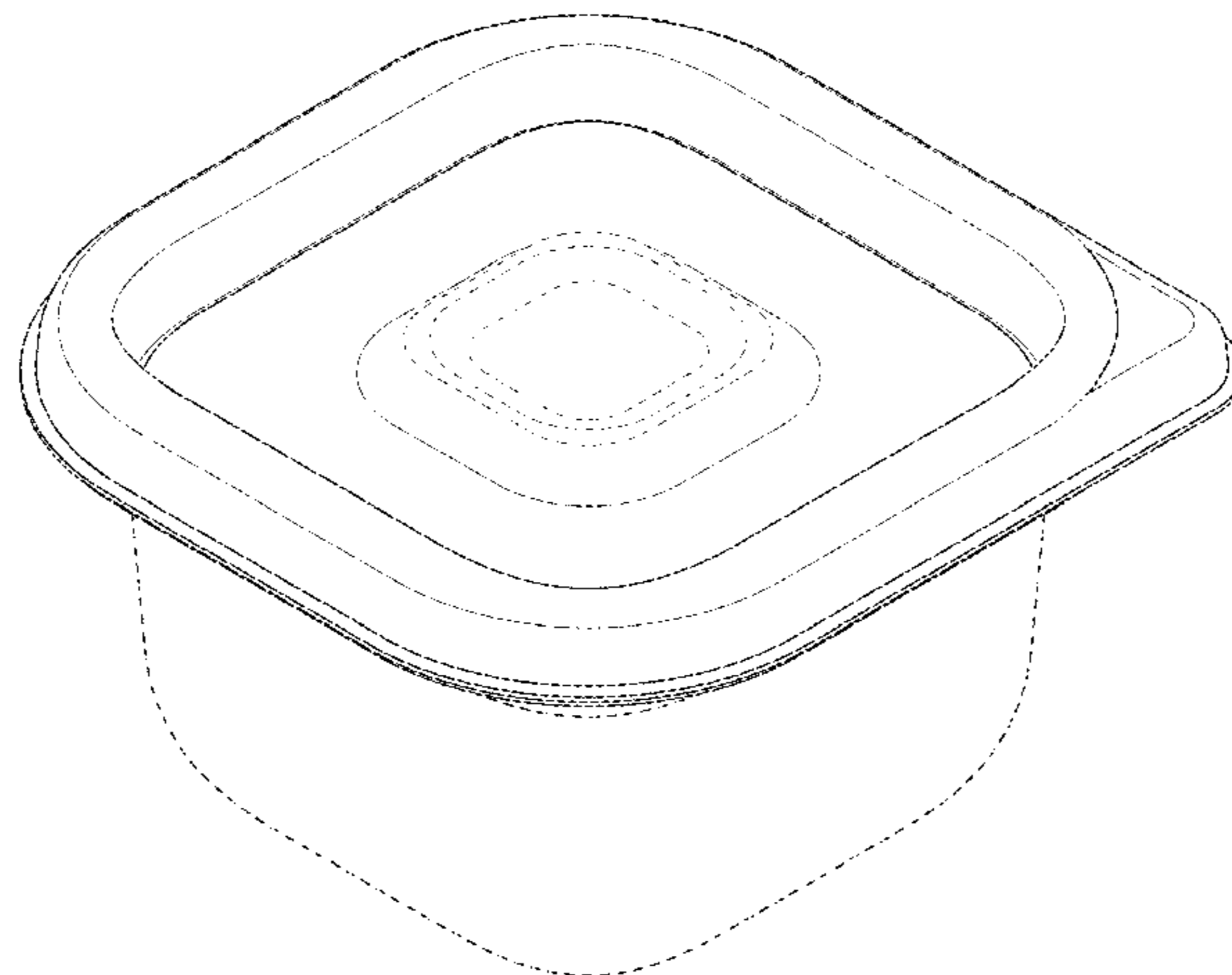
(57) **CLAIM**
The ornamental design for a container, as shown and described.

DESCRIPTION

FIG. 1 is a top perspective view of a container showing our new design;
FIG. 2 is a front view thereof;
FIG. 3 is a rear view thereof;
FIG. 4 is a right side view thereof;
FIG. 5 is a left side view thereof;
FIG. 6 is a top view thereof;
FIG. 7 is a bottom view thereof; and,
FIG. 8 is a bottom perspective view thereof.
The broken lines in the Figures show portions of the container which form no part of the claimed design.

1 Claim, 8 Drawing Sheets

(56) **References Cited**
U.S. PATENT DOCUMENTS
1,542,115 A 6/1925 Weis
2,412,325 A 12/1946 Devine et al.
2,575,770 A 11/1951 Roop
2,606,586 A 8/1952 Hill
2,695,115 A 11/1954 Roop
3,117,692 A 1/1964 Carpenter et al.
3,262,602 A 7/1966 McConnell et al.
3,338,468 A 8/1967 Wilson
3,452,896 A 7/1969 Elliot
3,589,554 A 6/1971 Smith
3,981,401 A 9/1976 Blanchard
4,483,455 A 11/1984 Prophet, Jr. et al.



(56)

References Cited

U.S. PATENT DOCUMENTS

5,356,026 A 10/1994 Andress et al.
 5,377,860 A 1/1995 Littlejohn et al.
 5,409,126 A 4/1995 DeMars
 D360,105 S 7/1995 Doxey
 5,542,234 A 8/1996 Wyslotosky et al.
 5,560,315 A 10/1996 Lampe
 5,586,656 A 12/1996 Abrums
 5,634,559 A 6/1997 Foos et al.
 D388,325 S 12/1997 Tucker et al.
 5,692,617 A 12/1997 Adams
 5,709,304 A 1/1998 Credle, Jr.
 D390,109 S 2/1998 Tucker et al.
 5,769,229 A 6/1998 Andress et al.
 5,799,792 A 9/1998 Abrums
 5,810,187 A 9/1998 Woodring
 D411,741 S 6/1999 Wilson et al.
 5,992,679 A 11/1999 Porchia et al.
 D419,829 S 2/2000 Wilson et al.
 D420,252 S 2/2000 Loew et al.
 6,032,827 A 3/2000 Zettle et al.
 D427,063 S 6/2000 May
 D428,310 S 7/2000 Zettle et al.
 D432,858 S * 10/2000 Hayes et al. D7/392.1
 6,168,044 B1 1/2001 Zettle et al.
 6,170,696 B1 1/2001 Tucker et al.
 D439,744 S 4/2001 Ho
 D440,470 S 4/2001 Tucker et al.
 D443,184 S 6/2001 Maxwell et al.
 D443,798 S 6/2001 Tucker et al.
 D446,117 S 8/2001 Conti
 D447,382 S 9/2001 Tucker et al.
 D448,606 S 10/2001 Conti
 D448,969 S 10/2001 Conti
 D449,495 S 10/2001 Tucker et al.
 D450,983 S 11/2001 Tucker et al.
 D451,769 S 12/2001 Stanos et al.
 6,415,945 B1 7/2002 Zank et al.
 D462,880 S 9/2002 Maxwell et al.
 6,467,647 B1 10/2002 Tucker et al.
 D465,382 S 11/2002 Wolf et al.
 D466,364 S 12/2002 Demore
 D472,774 S 4/2003 Pelstring et al.
 6,557,720 B2 5/2003 Tosdale
 D485,468 S 1/2004 Roth et al.
 D485,473 S 1/2004 Dais et al.
 6,672,473 B2 1/2004 Torniainen et al.
 6,685,049 B1 2/2004 Paladino
 D490,278 S 5/2004 Welsh
 6,729,472 B2 5/2004 Stucke et al.
 6,761,041 B2 7/2004 Roth et al.
 6,796,430 B2 9/2004 Mercier et al.
 6,874,650 B2 4/2005 Welsh et al.
 6,886,694 B2 5/2005 McNeeley et al.
 D505,835 S 6/2005 Schultz et al.
 D505,839 S 6/2005 Stanos et al.
 D505,840 S 6/2005 Schultz et al.
 D506,106 S 6/2005 Ordiway et al.
 D506,359 S 6/2005 Zettle et al.
 6,910,599 B2 6/2005 Tucker et al.
 D507,155 S 7/2005 Gosen et al.
 D507,937 S 8/2005 Dais et al.
 D508,187 S 8/2005 Dais et al.
 D508,188 S 8/2005 Zettle et al.
 D511,435 S 11/2005 Roth et al.
 D512,278 S 12/2005 Schultz et al.
 D514,390 S 2/2006 Palder
 D516,859 S 3/2006 Zettle et al.
 7,017,775 B2 3/2006 Zettle et al.
 7,032,773 B2 4/2006 Dees et al.
 D522,319 S 6/2006 Palder
 7,063,231 B2 6/2006 Stanos et al.
 D526,161 S 8/2006 Roth et al.
 D527,224 S 8/2006 Roth et al.
 D527,951 S 9/2006 Roth et al.
 D527,952 S 9/2006 Roth et al.

D527,954 S 9/2006 Roth
 D536,922 S 2/2007 Roth et al.
 D536,923 S 2/2007 Roth et al.
 D539,099 S * 3/2007 Tucker et al. D7/629
 D541,598 S * 5/2007 Kim D7/629
 D541,648 S * 5/2007 Bennett et al. D9/425
 D542,100 S 5/2007 Kim
 7,216,769 B2 5/2007 Palder
 D545,618 S 7/2007 Zettle et al.
 D547,177 S 7/2007 Sherman et al.
 D548,538 S 8/2007 Liu
 7,261,219 B2 8/2007 Tucker et al.
 D551,496 S 9/2007 Ablo et al.
 7,264,135 B2 9/2007 Savicki et al.
 D555,475 S 11/2007 Enriquez et al.
 D555,983 S * 11/2007 Tucker et al. D7/629
 D556,517 S 12/2007 Lown et al.
 7,347,327 B2 3/2008 Lobman et al.
 7,357,272 B2 4/2008 Maxwell
 D568,693 S 5/2008 Furlong
 D568,694 S 5/2008 Furlong
 D569,722 S 5/2008 Stamper et al.
 7,380,412 B2 6/2008 Roth et al.
 D575,100 S 8/2008 Liu
 7,451,875 B1 11/2008 Norris
 D585,699 S 2/2009 Furlong
 D586,179 S 2/2009 Furlong
 D588,417 S 3/2009 Doliwa
 D589,759 S 4/2009 Ozery et al.
 7,549,540 B2 6/2009 Lee et al.
 D603,697 S 11/2009 Edwards et al.
 D606,812 S 12/2009 Wu
 7,661,528 B2 2/2010 Vovan et al.
 D611,807 S 3/2010 Miga, Jr.
 D613,111 S 4/2010 Furlong
 D615,349 S 5/2010 Furlong
 D618,516 S 6/2010 DiPietro et al.
 7,726,483 B2 6/2010 Ramanujam et al.
 7,735,674 B2 6/2010 Cai
 7,866,502 B2 1/2011 Maxwell
 D642,861 S 8/2011 Samartgis
 8,006,513 B2 8/2011 Roth et al.
 8,011,205 B2 9/2011 Roth et al.
 8,074,830 B2 12/2011 Pomfrey
 8,083,084 B2 12/2011 Vovan
 8,083,095 B2 12/2011 Hui
 8,118,190 B2 2/2012 Coonce
 8,123,064 B2 2/2012 Vovan
 8,146,766 B2 4/2012 Vovan et al.
 8,157,123 B2 4/2012 Tucker et al.
 8,308,021 B2 11/2012 Turvey et al.
 8,322,530 B2 12/2012 Furlong
 8,381,909 B2 2/2013 Hernandez et al.
 D677,568 S 3/2013 Sina
 2004/0144781 A1 7/2004 Dees et al.
 2006/0011626 A1 1/2006 Palder
 2006/0070907 A1 4/2006 O'Shea
 2007/0119743 A1 5/2007 Tucker et al.
 2007/0187277 A1 8/2007 Furlong
 2008/0105630 A1 5/2008 Lown
 2009/0084796 A1 4/2009 Coonce et al.
 2009/0145797 A1 6/2009 Steinmeyer
 2009/0173656 A1 7/2009 Furlong
 2010/0006467 A1 1/2010 Joseph et al.
 2010/0065461 A1 3/2010 Chhay
 2010/0170824 A1 7/2010 Ramanujam et al.
 2010/0176022 A1 7/2010 Furlong
 2010/0181323 A1 7/2010 Thaler et al.
 2010/0200588 A1 8/2010 Bergman et al.
 2011/0031153 A1 2/2011 Vovan
 2011/0114638 A1 5/2011 Kettner et al.
 2011/0309075 A1 12/2011 Roth et al.
 2011/0315702 A1 12/2011 LeBoeuf et al.
 2012/0006837 A1 1/2012 Becklin
 2012/0048874 A1 3/2012 Oakes et al.

OTHER PUBLICATIONS

Co-pending U.S. Appl. No. 29/461,250, filed Jul. 19, 2013.
 Co-pending U.S. Appl. No. 29/461,251, filed Jul. 19, 2013.

(56)

References Cited

OTHER PUBLICATIONS

Co-pending U.S. Appl. No. 29/461,252, filed Jul. 19, 2013.
Co-pending U.S. Appl. No. 29/461,253, filed Jul. 19, 2013.
Co-pending U.S. Appl. No. 29/461,254, filed Jul. 19, 2013.
Co-pending U.S. Appl. No. 29/461,255, filed Jul. 19, 2013.
Co-pending U.S. Appl. No. 29/461,256, filed Jul. 19, 2013.
Co-pending U.S. Appl. No. 29/461,258, filed Jul. 19, 2013.
Co-pending U.S. Appl. No. 29/461,259, filed Jul. 19, 2013.
Co-pending U.S. Appl. No. 29/461,260, filed Jul. 19, 2013.
Co-pending U.S. Appl. No. 29/461,261, filed Jul. 19, 2013.
Co-pending U.S. Appl. No. 29/469,505, filed Oct. 10, 2013.

Co-pending U.S. Appl. No. 29/469,506, filed Oct. 10, 2013.
Co-pending U.S. Appl. No. 13/946,513, filed Jul. 19, 2013.
Infantino Annabel Karmel Feeding Accessories, <<http://www.thanksmailcarrier.com/2010/11/infantino-annabel-karmel-feeding.html>>, accessed Jan. 25, 2013.
LunchBlox™ Sandwich Kit, <http://www.rubbermaid.com/category/pages/productdetail.aspx?Prod_ID=RP092026>, accessed Jan. 25, 2013.
Play With Your Food: Lego Bento Box, <<http://kawaii-fabric.com/tag/fun-bento-boxes/>>, accessed Jan. 25, 2013.
Set of 5 Stackable Containers, <<http://www.etsy.com/listing/50125726/set-5-of-stackable-containers>>, accessed Jan. 25, 2013.

* cited by examiner

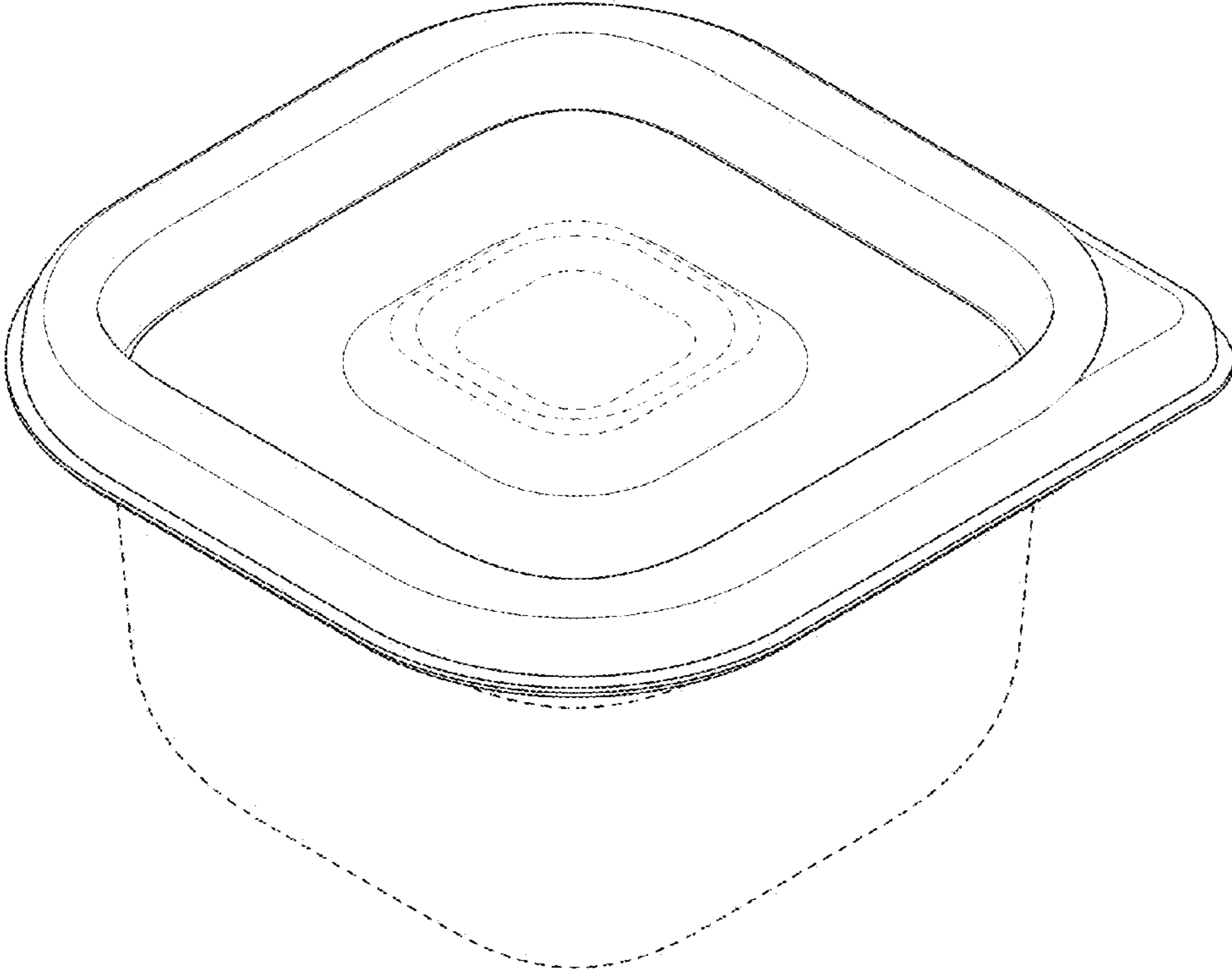


FIG. 1

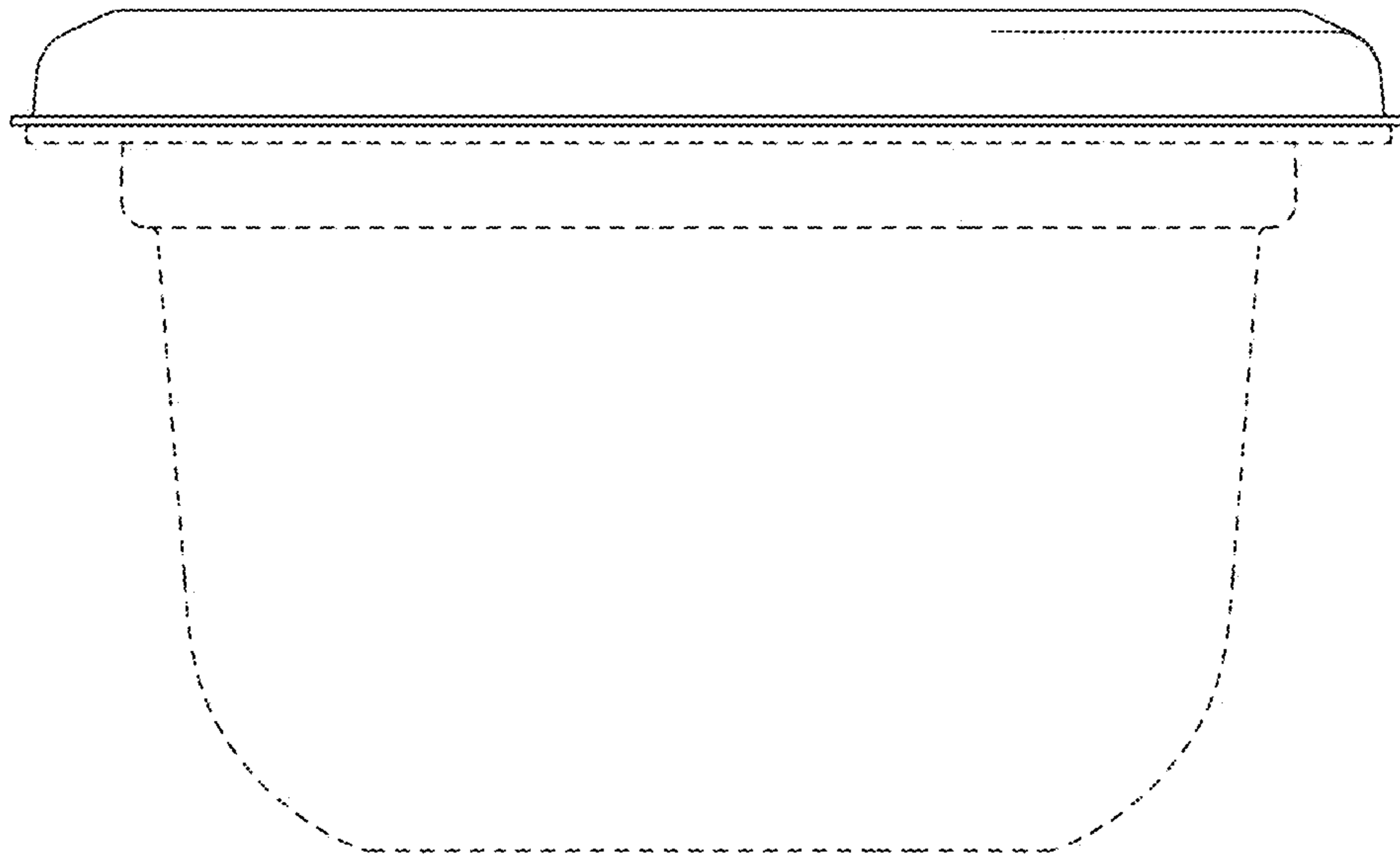


FIG. 2

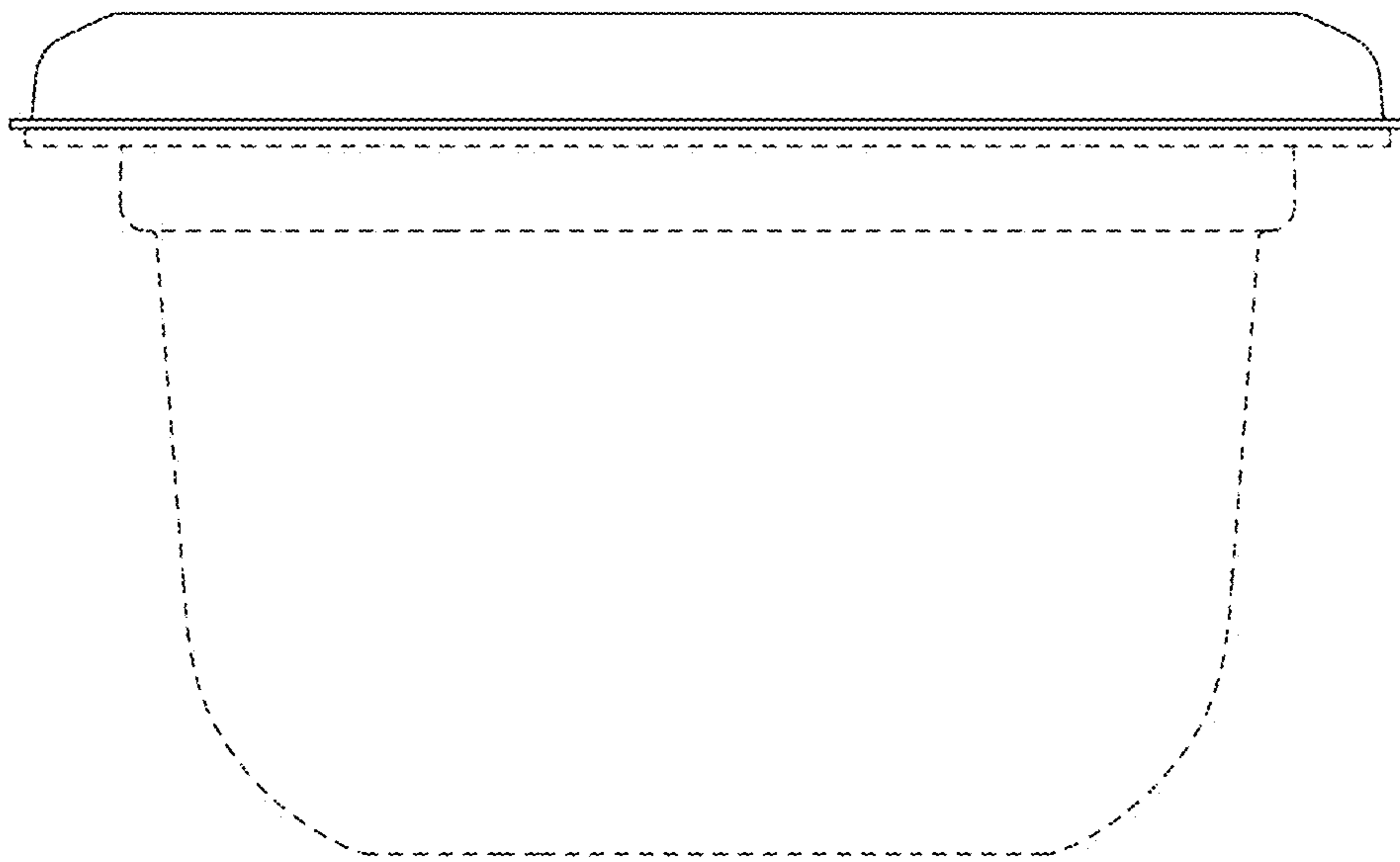


FIG. 3

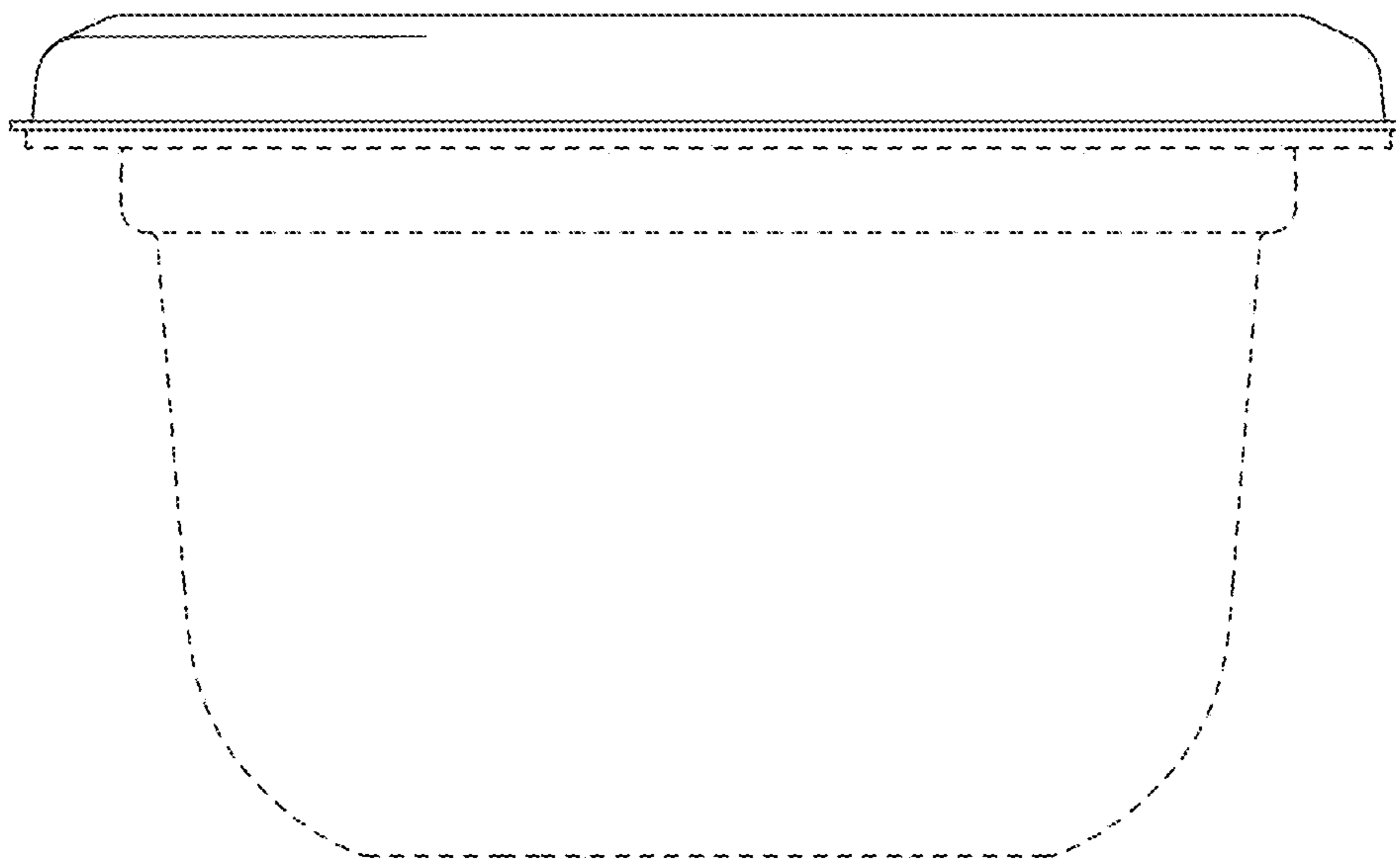


FIG. 4

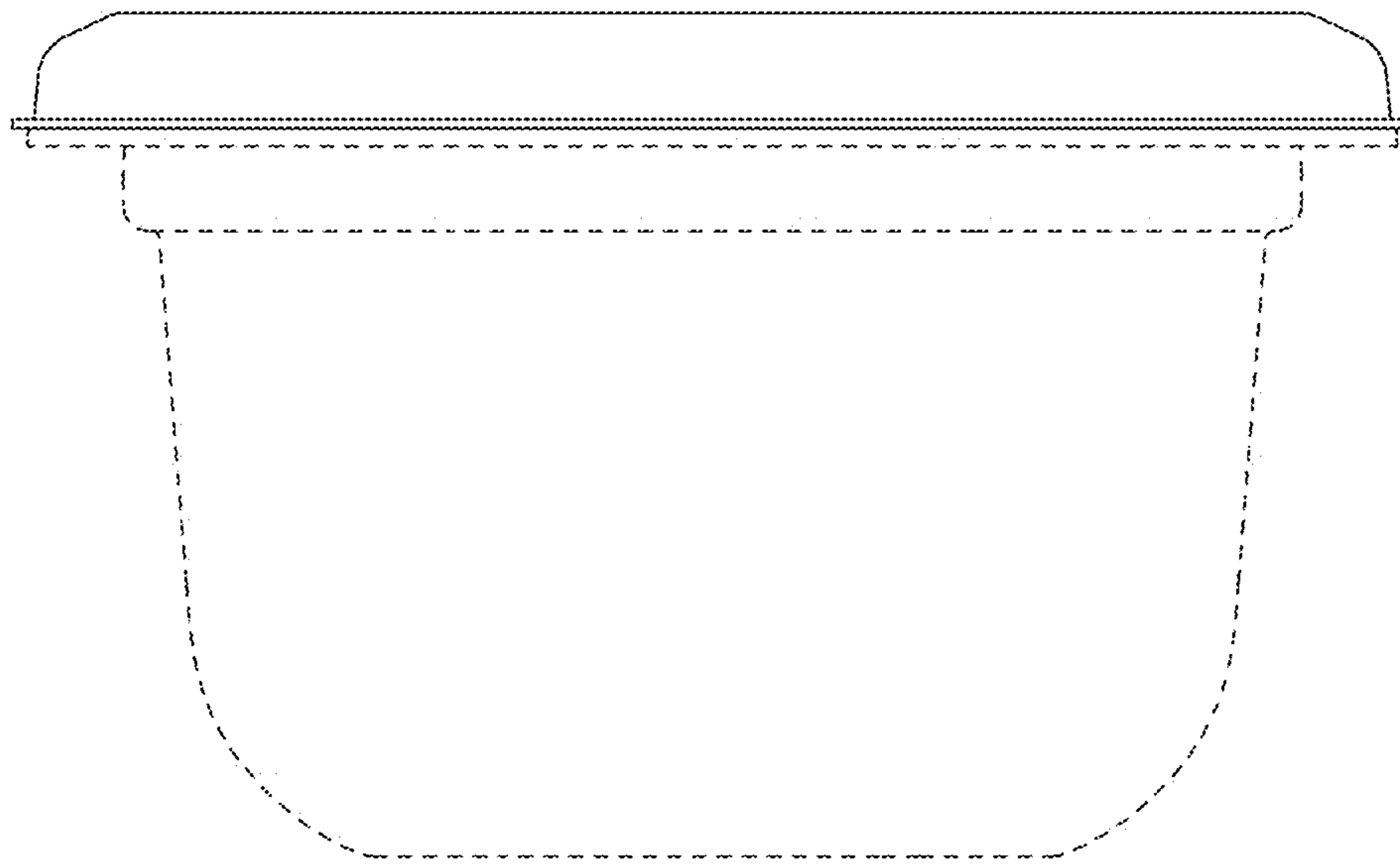


FIG. 5

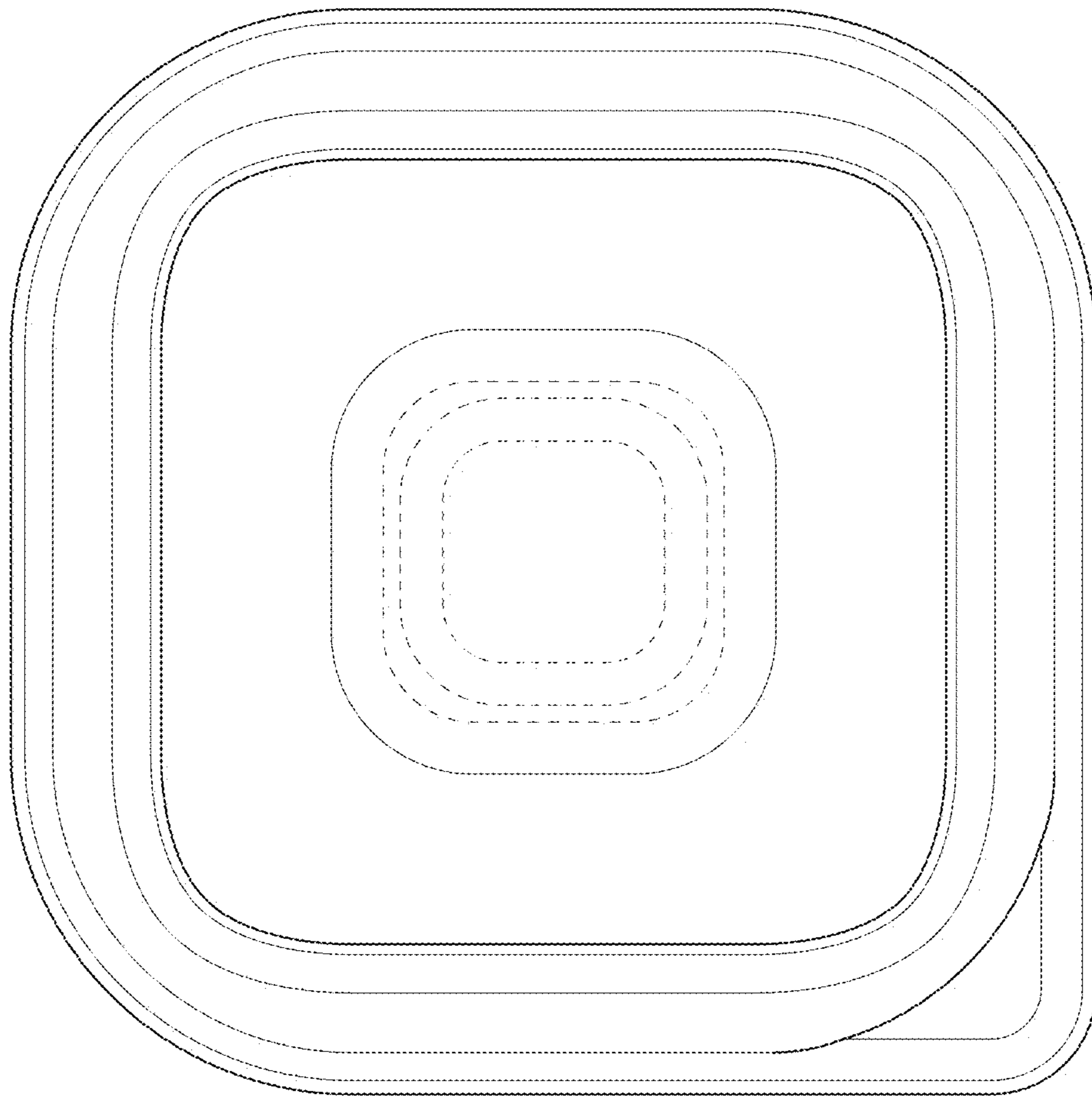


FIG. 6

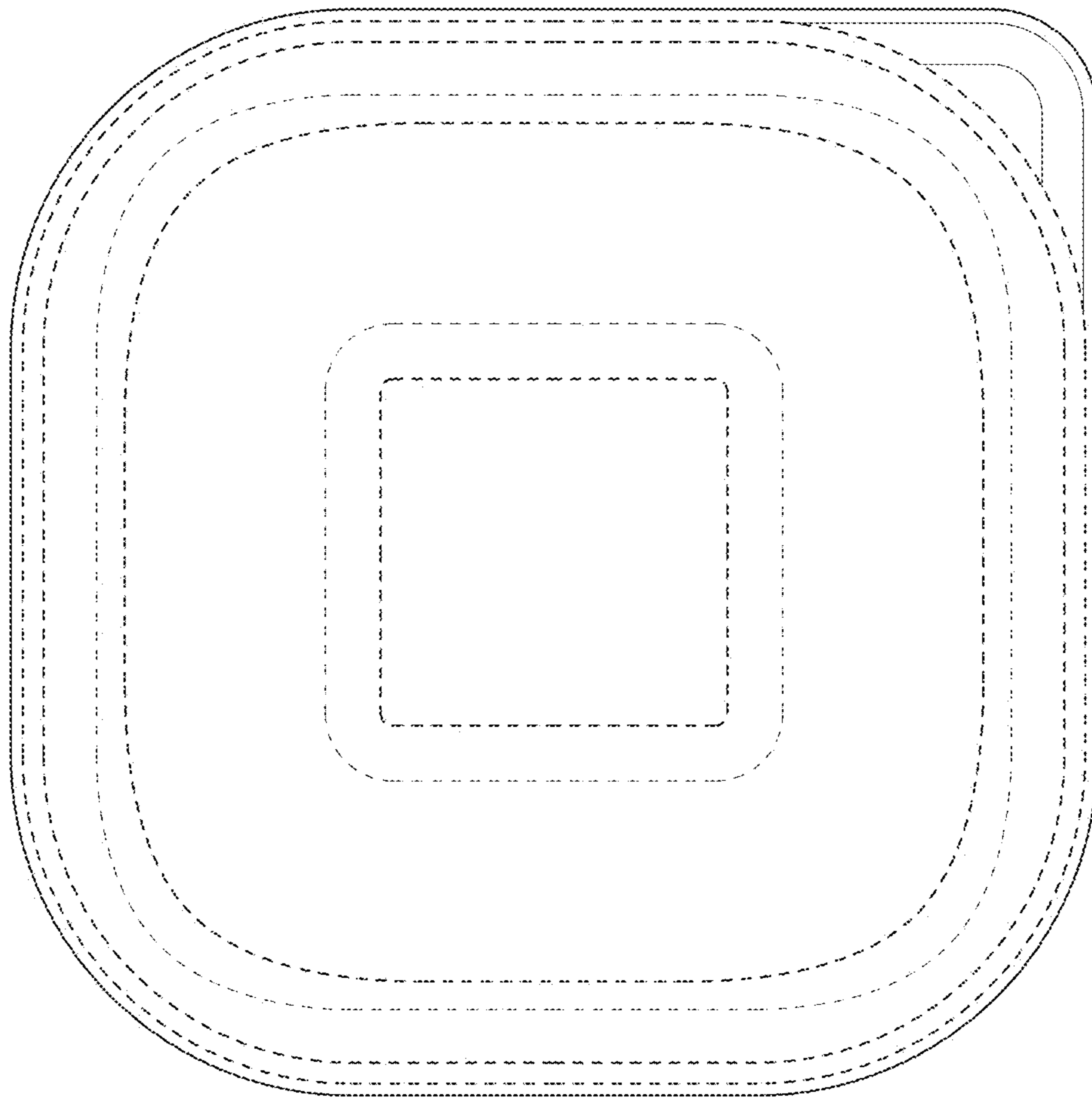


FIG. 7

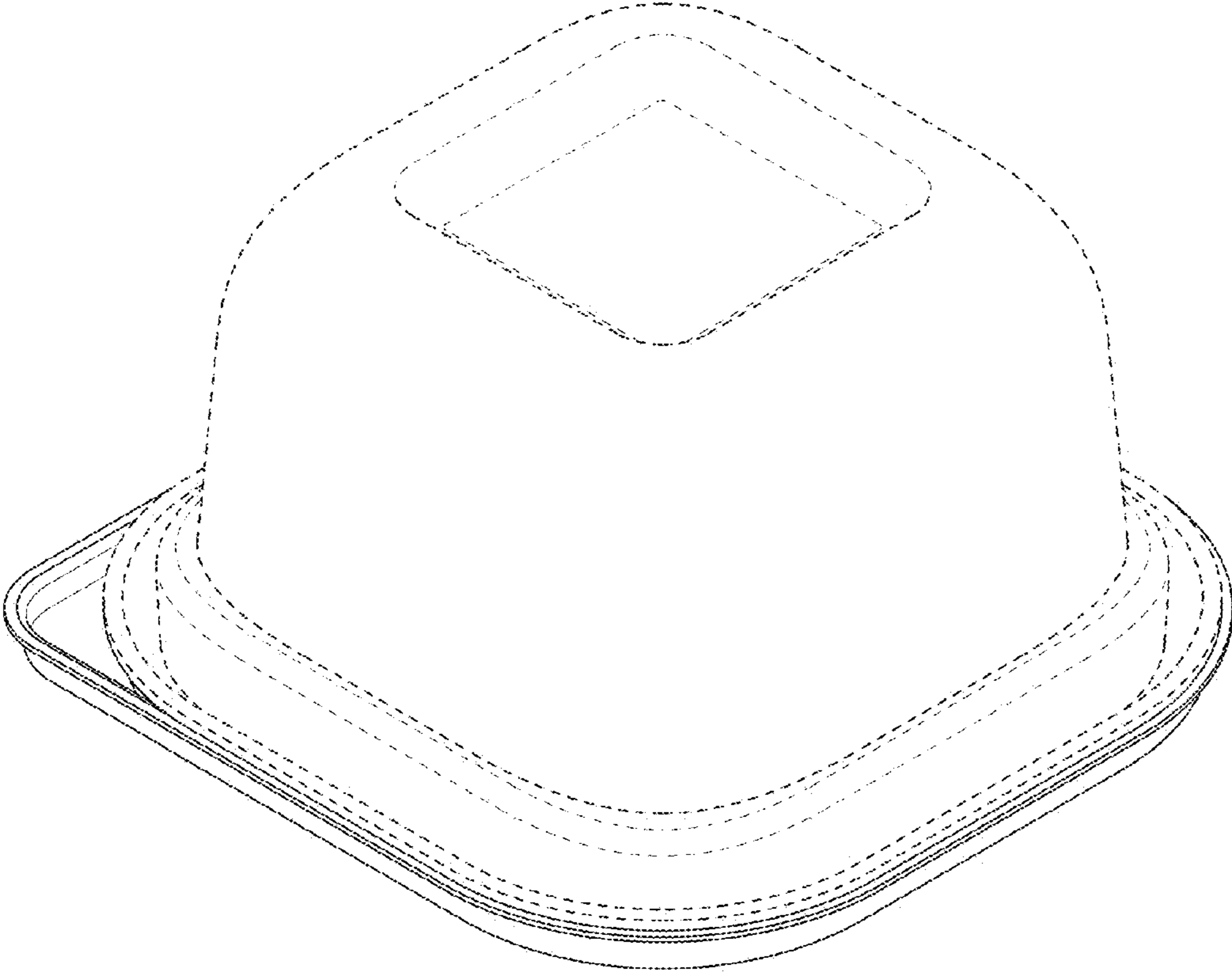


FIG. 8