



US00D721245S

(12) **United States Design Patent**
Agati et al.

(10) **Patent No.:** **US D721,245 S**
(45) **Date of Patent:** **** Jan. 20, 2015**

(54) **COMBINED TABLE LEGS AND SUPPORT**

(71) Applicant: **Agati, Inc.**, Chicago, IL (US)

(72) Inventors: **Joseph Alan Agati**, Chicago, IL (US);
Joseph Sebastian Agati, Chciago, IL (US); **Peter John Maher**, Forest Park, IL (US)

(73) Assignee: **Agati, Inc.**, Chicago, IL (US)

(**) Term: **14 Years**

(21) Appl. No.: **29/458,155**

(22) Filed: **Jun. 17, 2013**

(51) **LOC (10) Cl.** **06-06**

(52) **U.S. Cl.**
USPC **D6/709**

(58) **Field of Classification Search**

CPC A47B 2013/02; A47B 2013/024;
A47B 2200/0012; A47B 2200/002; A47B
2200/003; A47B 17/00; A47B 13/06; A47B
13/02

USPC D6/691, 691.8, 691.9, 708, 709, 709.21,
D6/711, 708.16; 108/153.1, 156, 157.1,
108/161, 155, 158.1; 248/188, 188.1

See application file for complete search history.

(56) **References Cited**

U.S. PATENT DOCUMENTS

2,987,362 A * 6/1961 Bernath 312/195
3,229,790 A * 1/1966 Shayne 403/172

3,371,973 A * 3/1968 Vincens 312/194
6,302,035 B1 * 10/2001 Frenkler et al. 108/102
D567,551 S * 4/2008 Verbeek et al. D6/495
D659,442 S * 5/2012 Henriott et al. D6/495
2013/0319296 A1 * 12/2013 Lio et al. 108/157.1

* cited by examiner

Primary Examiner — Janice Seeger

(74) *Attorney, Agent, or Firm* — Patzik, Frank & Samotny Ltd.

(57) **CLAIM**

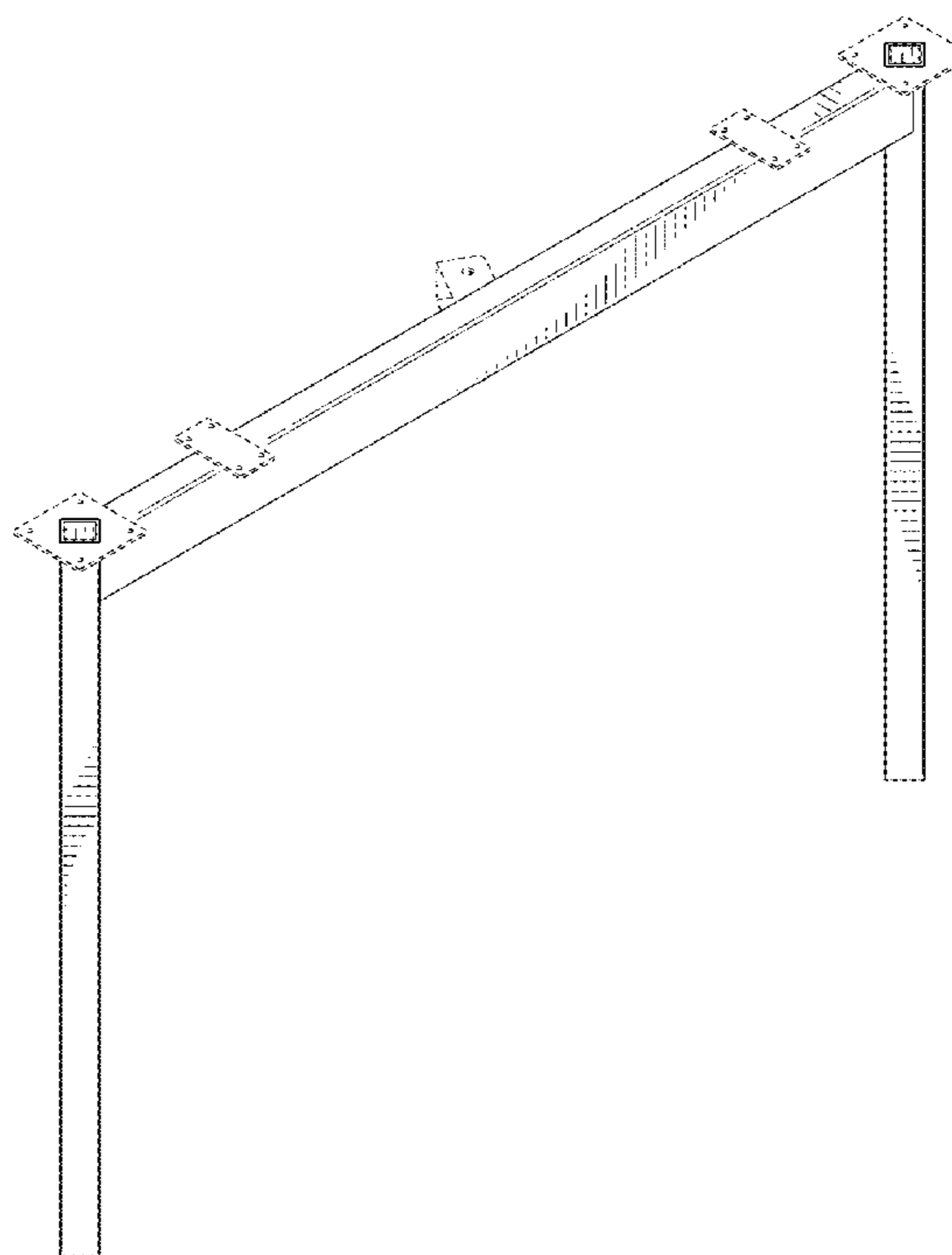
The ornamental design for combined table legs and support, as shown and described.

DESCRIPTION

FIG. 1 is a front perspective view of the combined table legs and support of the present invention;
FIG. 2 is a rear elevation view of the combined table legs and support of the present invention;
FIG. 3 is a front elevation view of the combined table legs and support of the present invention;
FIG. 4 is a left side elevation view of the combined table legs and support of the present invention,
FIG. 5 is a right side elevation view of the combined table legs and support of the present invention,
FIG. 6 is a top plan view of the combined table legs and support of the present invention; and,
FIG. 7 is a bottom plan view of the combined table legs and support of the present invention.

The broken lines are for environmental purposes only and form no part of the claimed design.

1 Claim, 5 Drawing Sheets



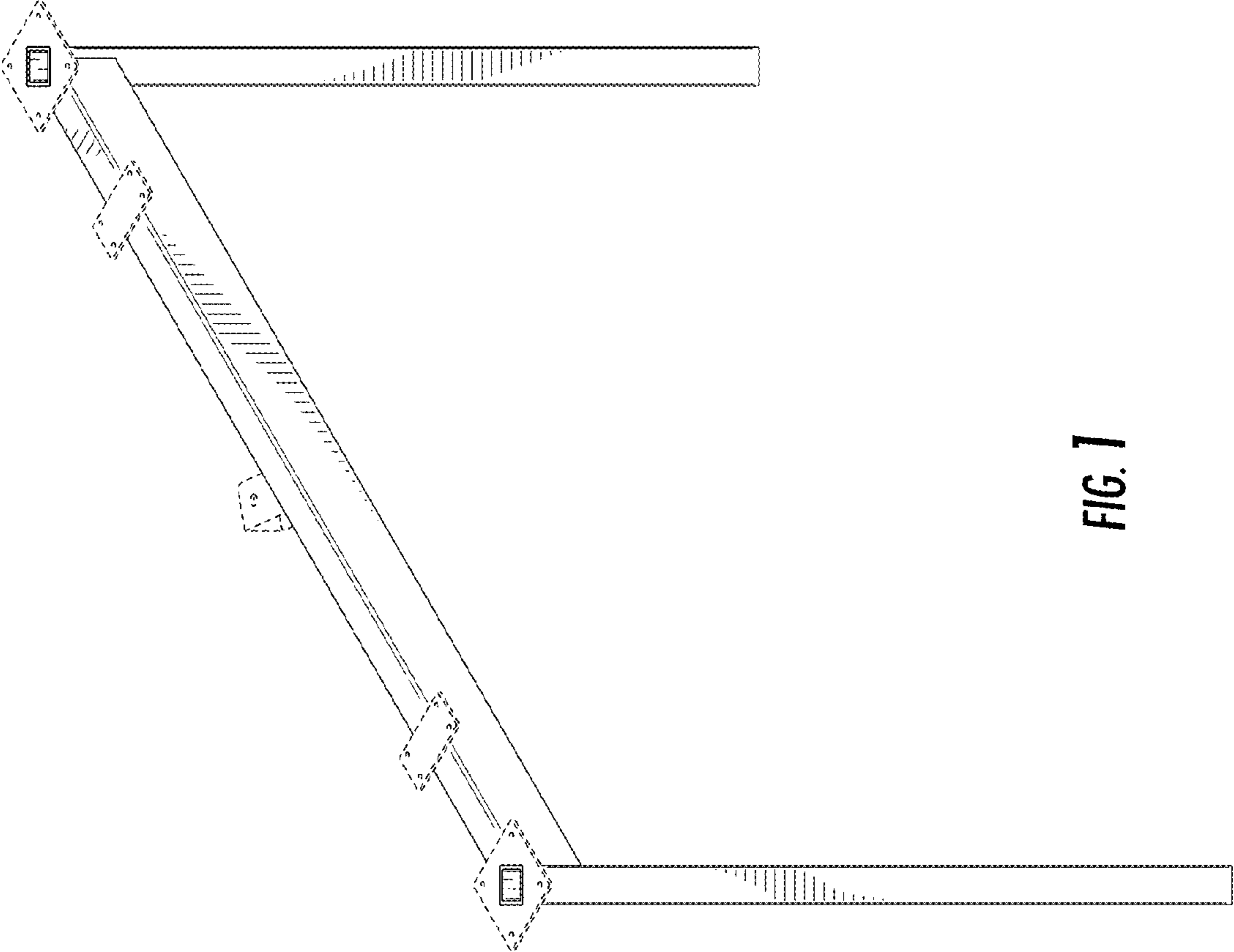


FIG. 1

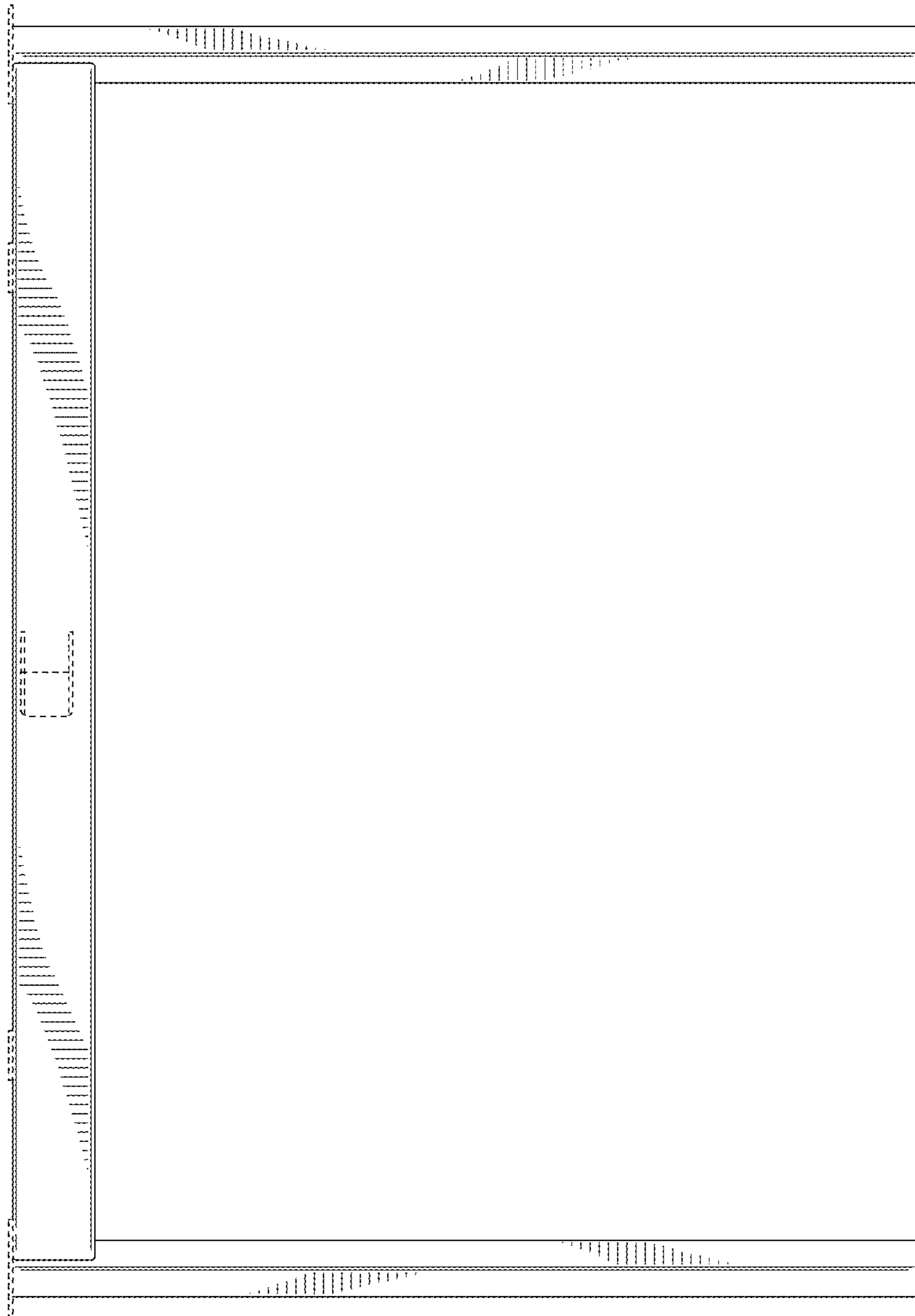


FIG. 2

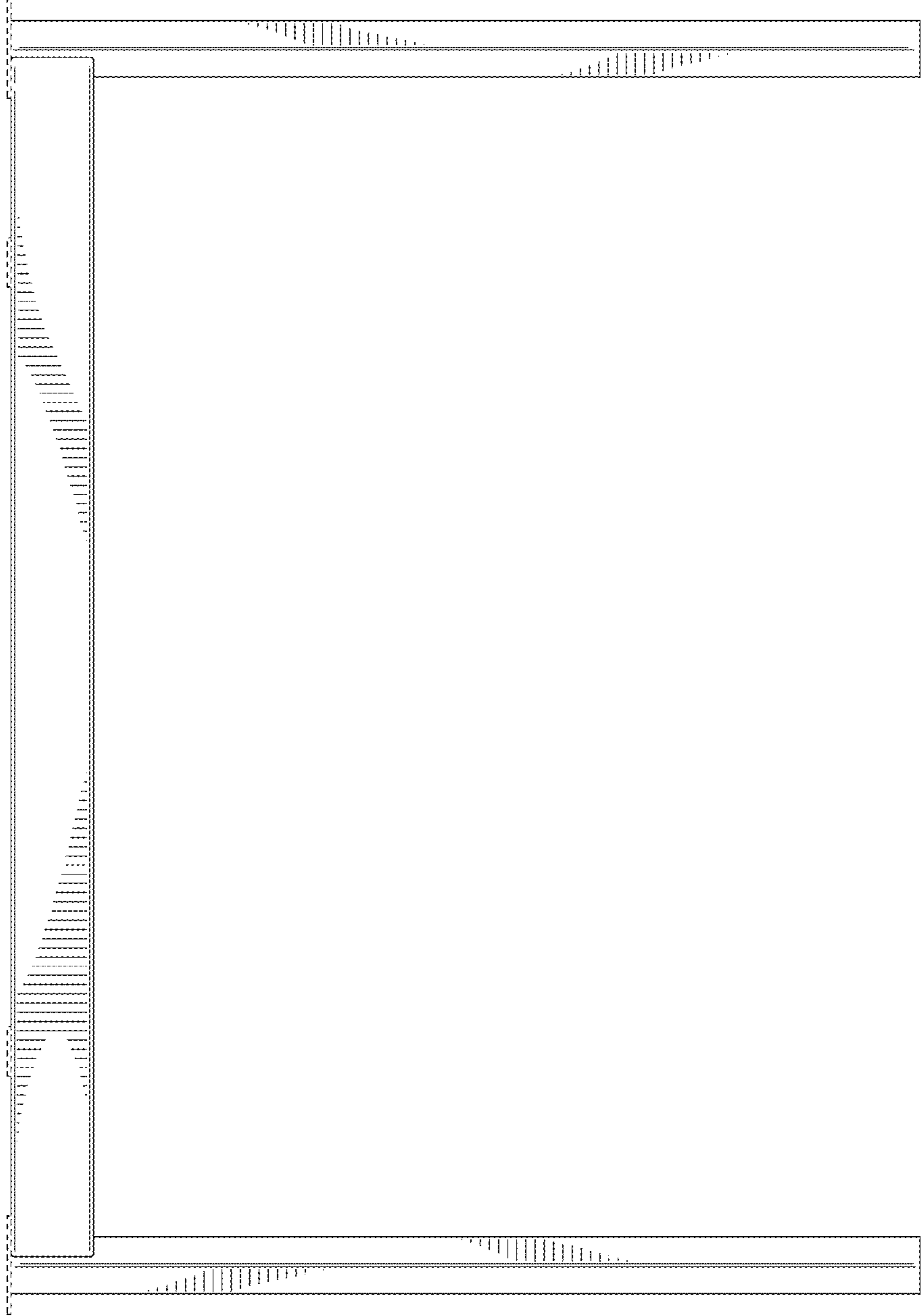


FIG. 3

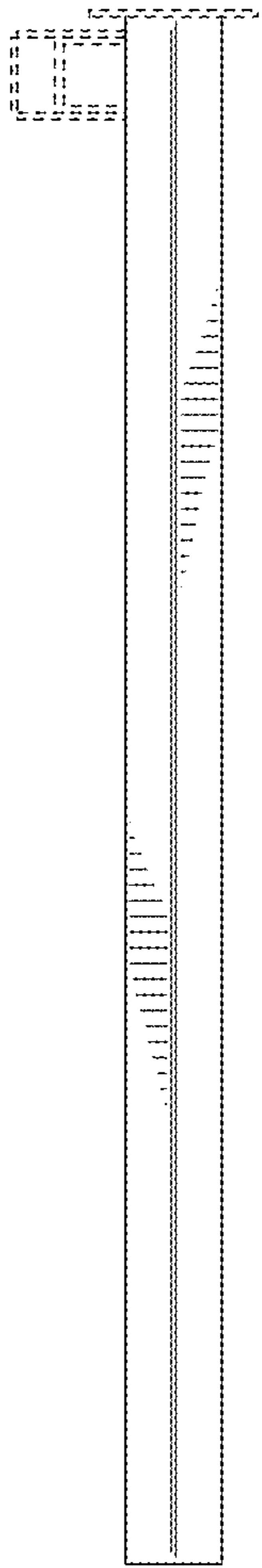


FIG. 4

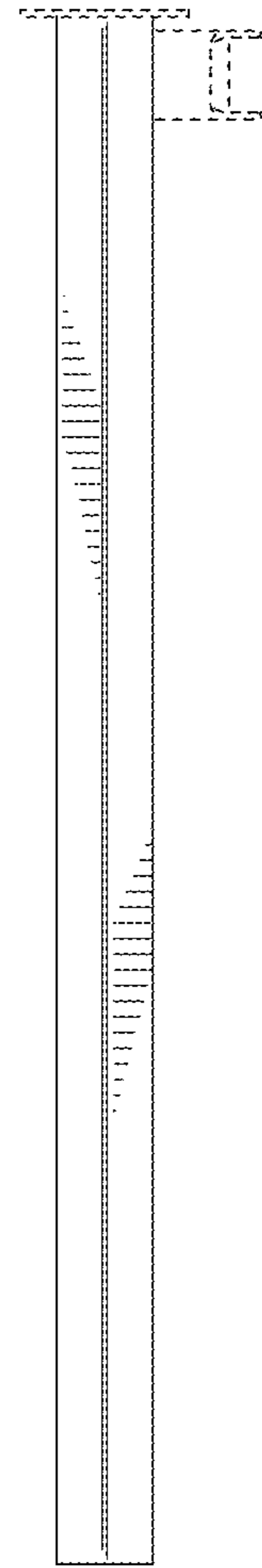


FIG. 5

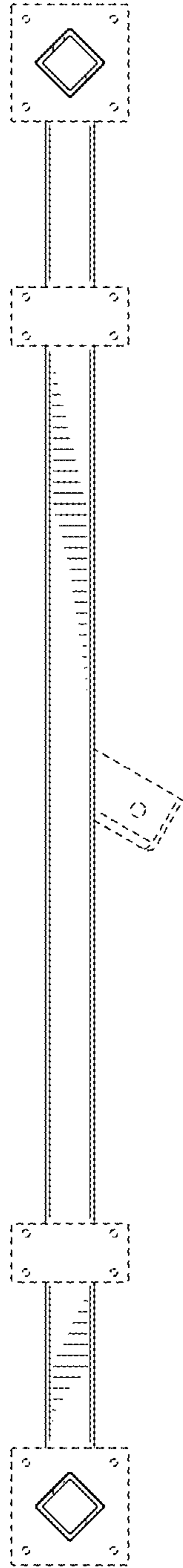


FIG. 6

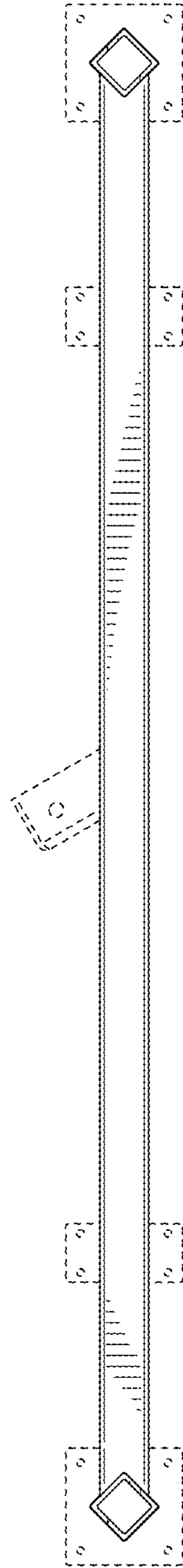


FIG. 7