

US00D721244S

(12) **United States Design Patent**
Mueller et al.

(10) **Patent No.:** **US D721,244 S**
(45) **Date of Patent:** **** Jan. 20, 2015**

- (54) **TABLE LEG**
- (71) Applicant: **Steelcase Werndl AG**, Rosenheim (DE)
- (72) Inventors: **Karl Mueller**, Prutting (DE); **John Small**, London (GB)
- (73) Assignee: **Steelcase Werndl AG**, Rosenheim (DE)
- (**) Term: **14 Years**
- (21) Appl. No.: **29/450,659**
- (22) Filed: **Mar. 20, 2013**
- (30) **Foreign Application Priority Data**
 - Sep. 20, 2012 (EM) 001345490-0001
- (51) **LOC (10) Cl.** **06-06**
- (52) **U.S. Cl.**
 - USPC **D6/709**
- (58) **Field of Classification Search**
 - CPC A47B 2200/002; A47B 2200/0026;
A47B 2200/0029; A47B 9/00; A47B 9/18
 - USPC D6/702, 709, 656.16, 656.17;
108/50.01, 50.02, 153.1, 156, 157.1,
108/161, 144.11, 146, 147.19; 248/188,
248/188.1, 188.7, 188.8

See application file for complete search history.

D380,632 S	7/1997	Schacht	
5,845,590 A *	12/1998	Seidl	108/147
D409,861 S	5/1999	Newhouse	
D412,256 S	7/1999	Gutgsell	
D423,822 S	5/2000	Takesmasa	
D437,152 S	2/2001	Brown et al.	
6,360,675 B1 *	3/2002	Jones	108/50.02
D461,072 S	8/2002	Ko	
D489,551 S	5/2004	Cesaroni et al.	
D498,091 S	11/2004	Winter et al.	
D512,251 S	12/2005	Sakurai et al.	
D512,587 S	12/2005	Frenkler et al.	
6,997,114 B2	2/2006	Chang	
D555,945 S	11/2007	Pearsons et al.	
D563,697 S *	3/2008	Glass et al.	D6/499
D569,662 S	5/2008	Simonsen	
D573,812 S	7/2008	Saotome	
D574,634 S	8/2008	Saotome	
D578,324 S	10/2008	Glass et al.	
D586,591 S	2/2009	Stoller	
D604,532 S	11/2009	Stoller	
D623,445 S	9/2010	Pai et al.	
7,798,454 B2	9/2010	Stoller	
D640,075 S	6/2011	Petrick et al.	

(Continued)

Primary Examiner — Janice Seeger
(74) *Attorney, Agent, or Firm* — Price Heneveld LLP

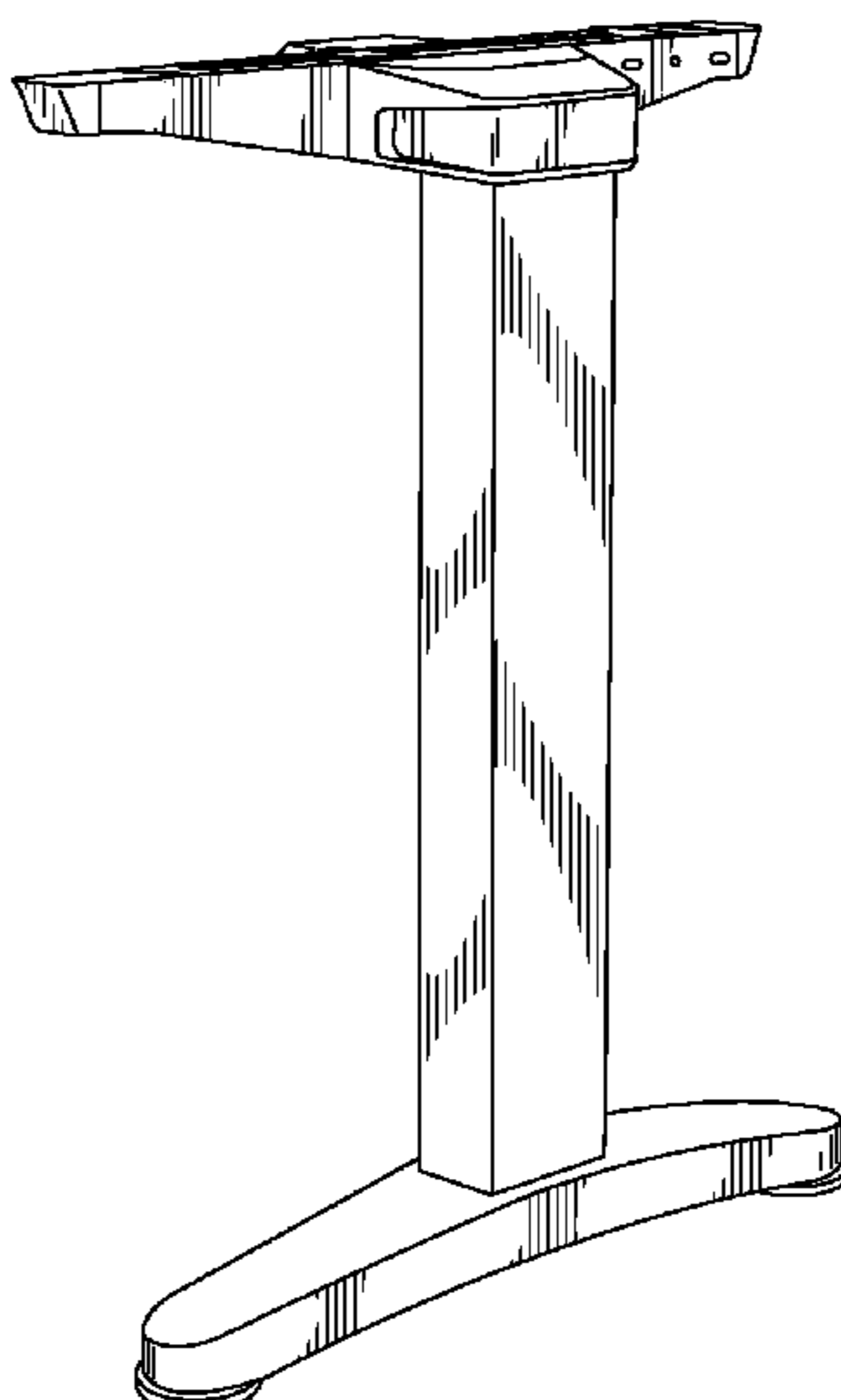
(57) **CLAIM**
We claim the ornamental design for table leg, as shown and described.

DESCRIPTION

FIG. 1 is an elevational view of a first side of a table leg embodying the present invention;
FIG. 2 is a perspective view of a top, the first side and a rear of the table leg;
FIG. 3 is a perspective view of a top, a second side and the rear of the table leg;
FIG. 4 is a top plan view of the table leg; and,
FIG. 5 is an elevational view of the second side of the table leg.

1 Claim, 5 Drawing Sheets

- (56) **References Cited**
 - U.S. PATENT DOCUMENTS
 - D203,199 S 12/1965 Beckman
 - D236,058 S 7/1975 Kramer
 - D239,073 S 3/1976 George
 - D277,717 S 2/1985 Petrick
 - D314,299 S 2/1991 Diffrient
 - D330,302 S 10/1992 Heidmann
 - D355,317 S * 2/1995 Gutgsell D6/495
 - D379,127 S 5/1997 Schacht
 - D379,411 S 5/1997 Funk



US D721,244 S

Page 2

(56)

References Cited

U.S. PATENT DOCUMENTS

D644,044 S	*	8/2011	Kitajima	D6/480	
D644,459 S		9/2011	Babick			
D644,860 S		9/2011	Saito			
D661,520 S		6/2012	Henriott et al.			
2002/0104464 A1	*	8/2002	Isensee et al.	108/50.02	

* cited by examiner

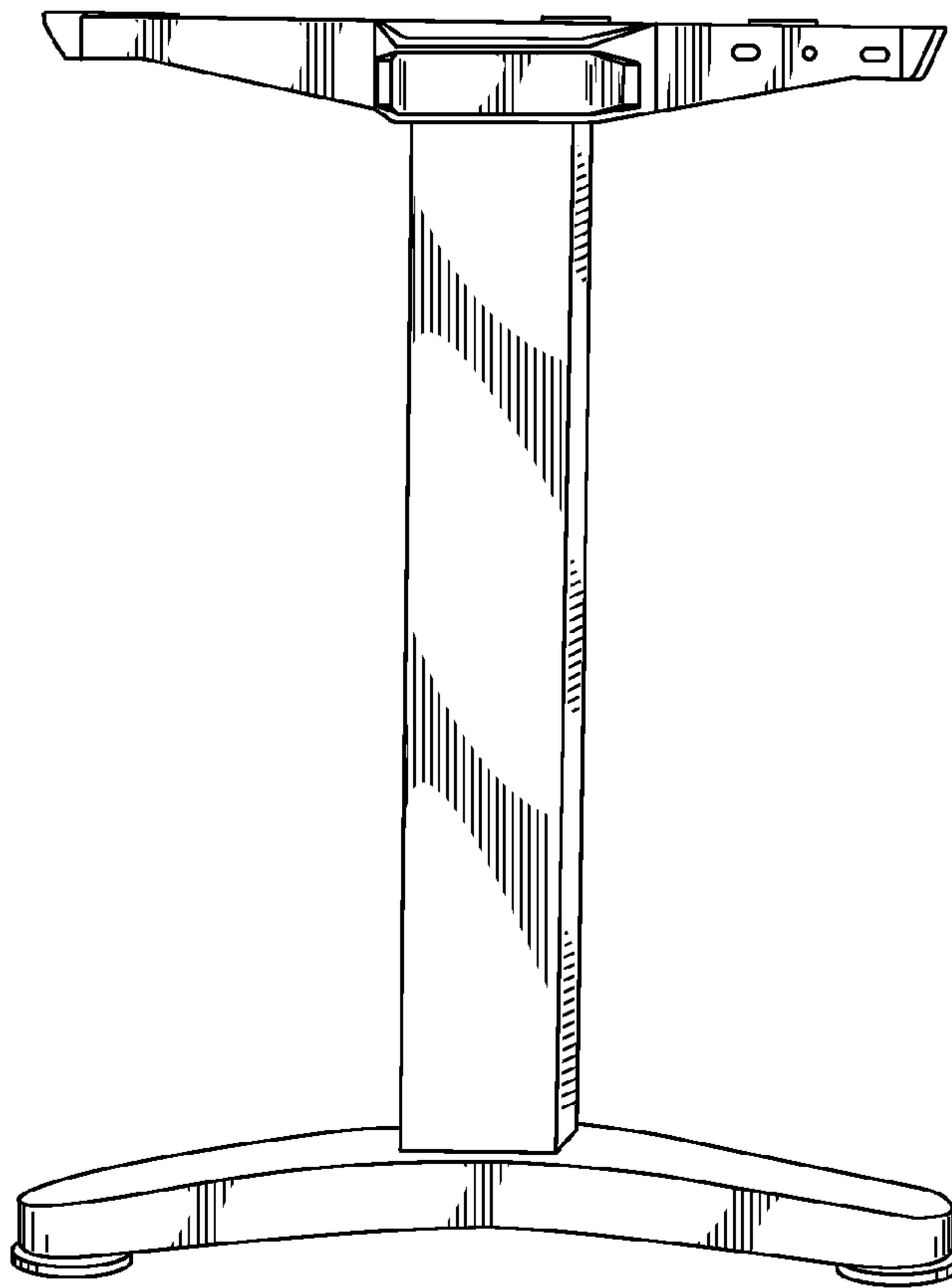


Fig. 1

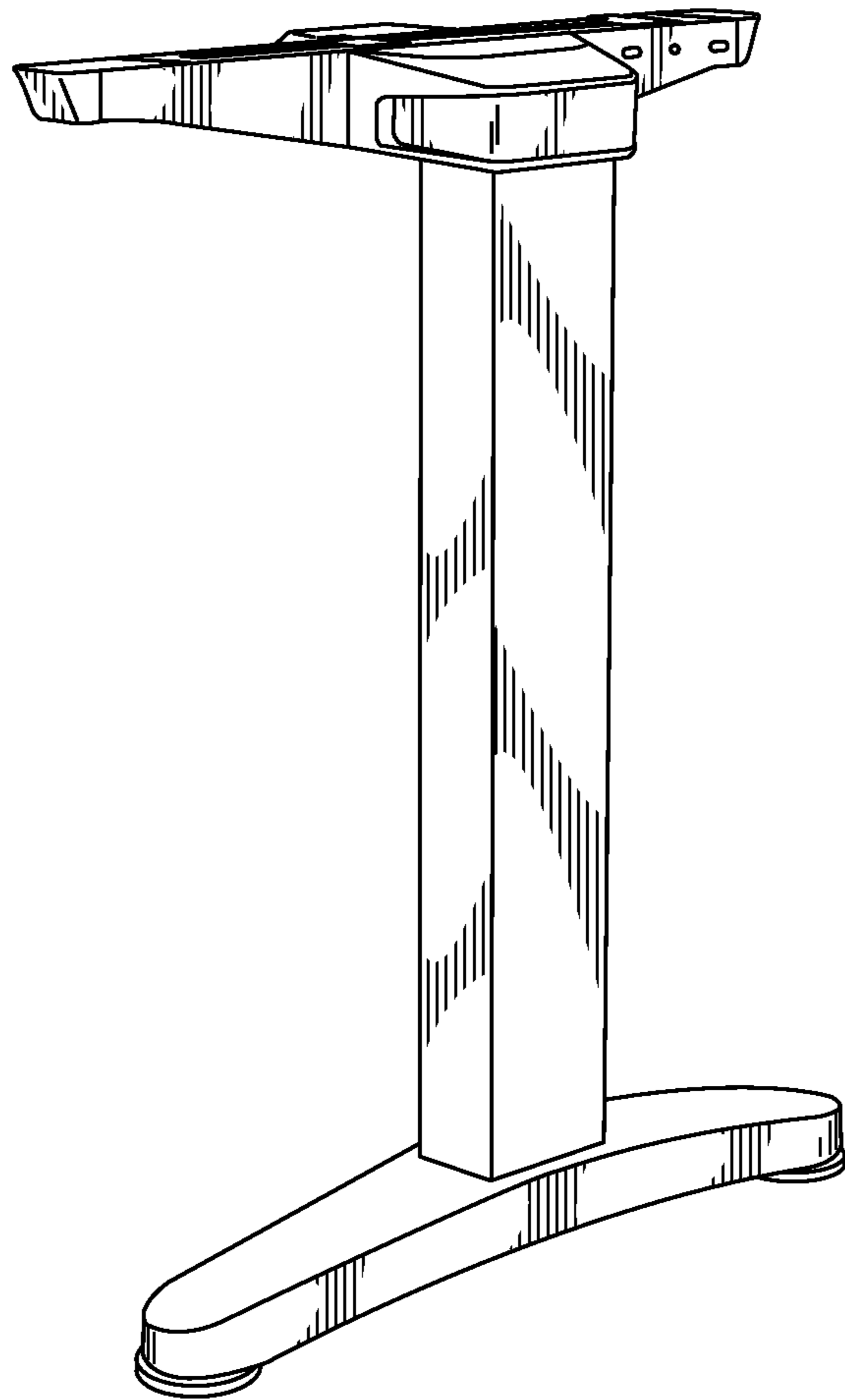


Fig. 2

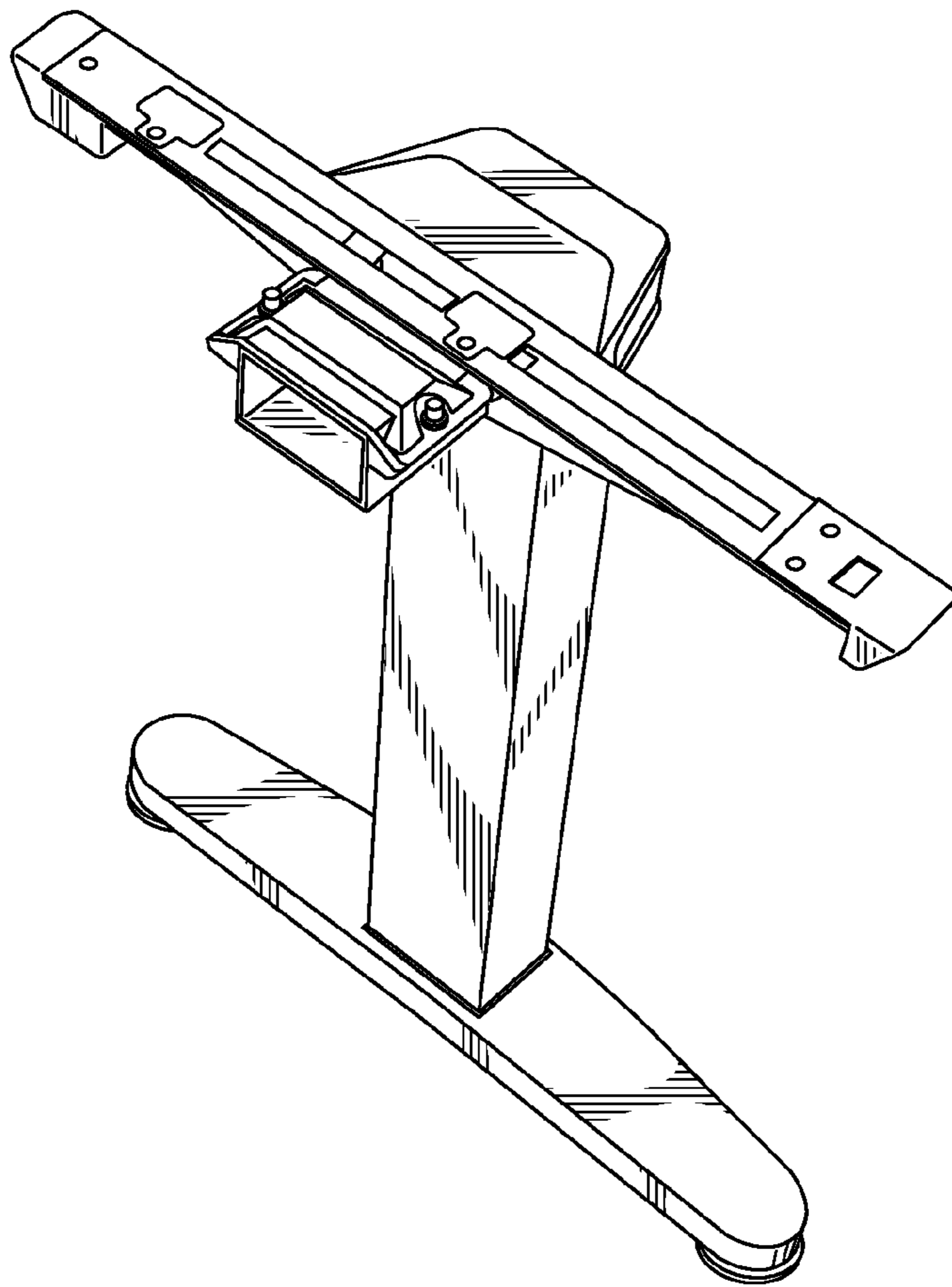


Fig. 3

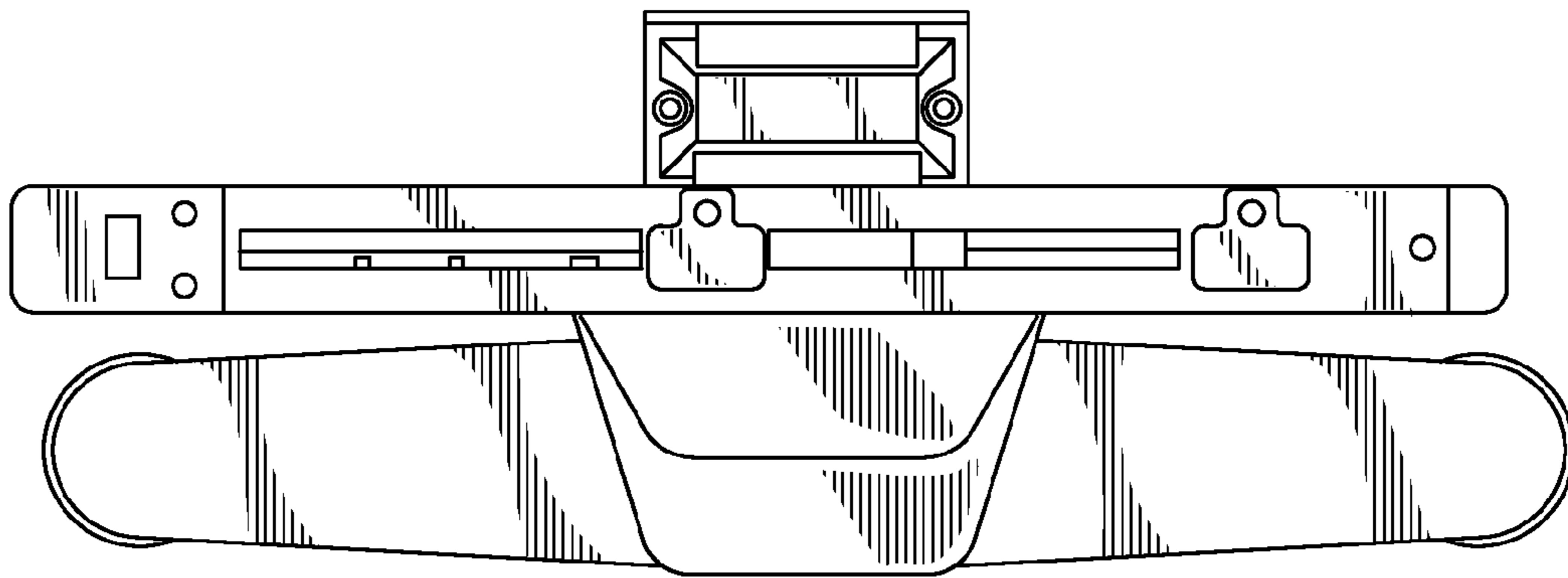


Fig. 4

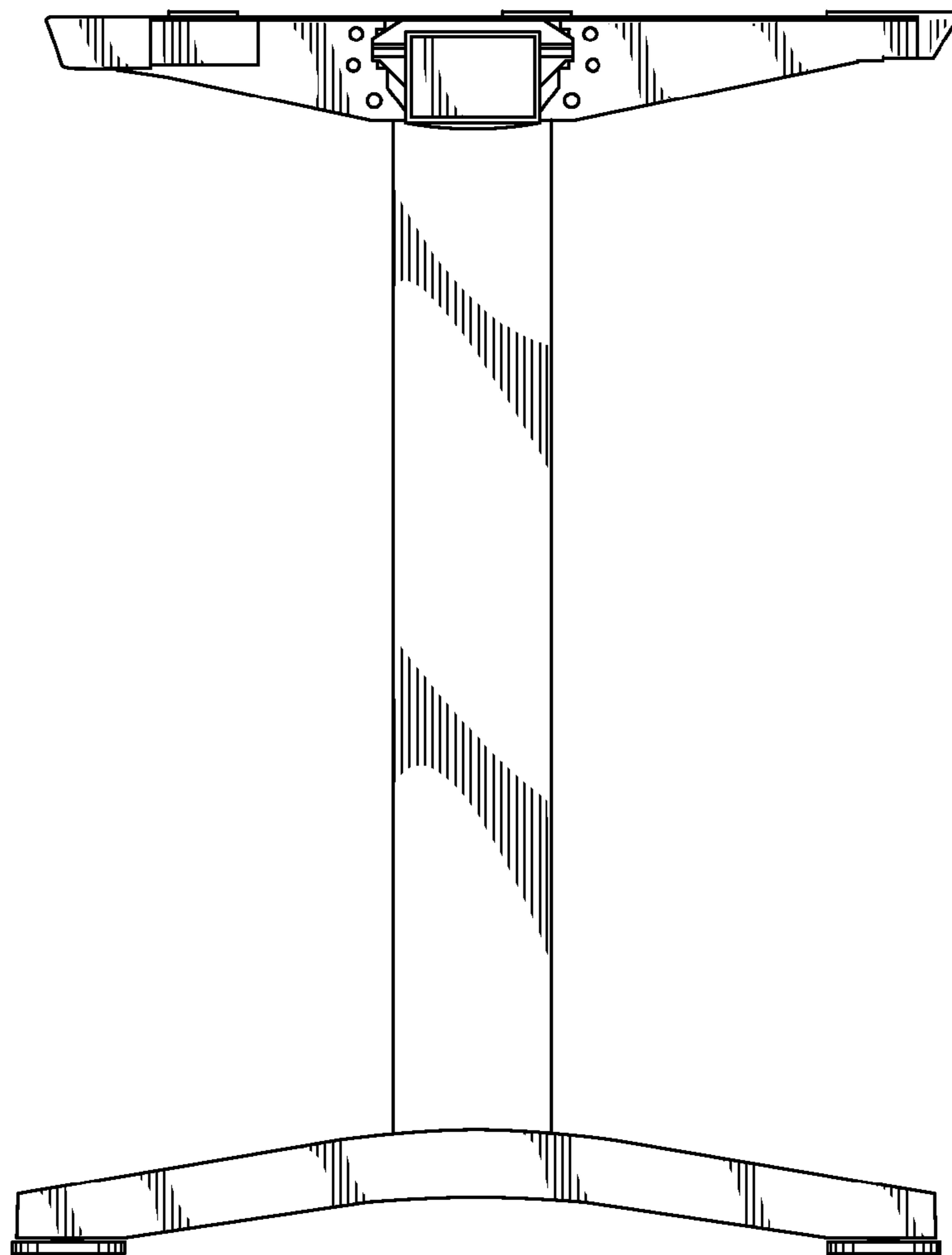


Fig. 5