



US00D721243S

(12) **United States Design Patent**
Chou

(10) **Patent No.:** **US D721,243 S**
(45) **Date of Patent:** **** Jan. 20, 2015**

(54) **BRACKET FOR A ROLLER BLIND**

(71) Applicant: **Tser Wen Chou**, Taipei (TW)

(72) Inventor: **Tser Wen Chou**, Taipei (TW)

(**) Term: **14 Years**

(21) Appl. No.: **29/464,343**

(22) Filed: **Aug. 15, 2013**

(51) **LOC (10) Cl.** **06-10**

(52) **U.S. Cl.**
USPC **D6/580**

(58) **Field of Classification Search**
USPC D6/575, 576, 577, 578, 579, 580, 581;
D8/330, 349, 352, 353, 368, 369, 376,
D8/381; 160/84.01, 84.02, 84.03, 84.04,
160/84.05, 84.06, 84.07, 84.08, 107, 108,
160/111, 321
See application file for complete search history.

(56) **References Cited**

U.S. PATENT DOCUMENTS

2,061,548	A *	11/1936	Cameron	160/173 R
D246,430	S *	11/1977	James	D8/327
D368,015	S *	3/1996	Cookson	D8/353
D374,739	S *	10/1996	Blanton	D26/138
D375,718	S *	11/1996	Lazzeroni et al.	D12/223
D387,970	S *	12/1997	Enslin	D8/349
D391,836	S *	3/1998	Buchanan	D8/349
6,173,825	B1 *	1/2001	Liu	192/223.4

D463,728	S *	10/2002	Johnson	D8/349
D480,250	S *	10/2003	Nainee	D6/580
D551,953	S *	10/2007	Smalley	D8/381
D591,993	S *	5/2009	Chou	D6/581
D592,437	S *	5/2009	Chou	D6/580
D628,539	S *	12/2010	Tezak et al.	D13/152
D663,190	S *	7/2012	Mota et al.	D8/349
D683,565	S *	6/2013	Chou	D6/580
D686,486	S *	7/2013	Densmore et al.	D8/349
D688,547	S *	8/2013	Waugh et al.	D8/349
2012/0228464	A1 *	9/2012	Ng et al.	248/636
2014/0174678	A1 *	6/2014	Chou	160/368.1
2014/0190642	A1 *	7/2014	Chou	160/323.1
2014/0251558	A1 *	9/2014	Chou	160/323.1

* cited by examiner

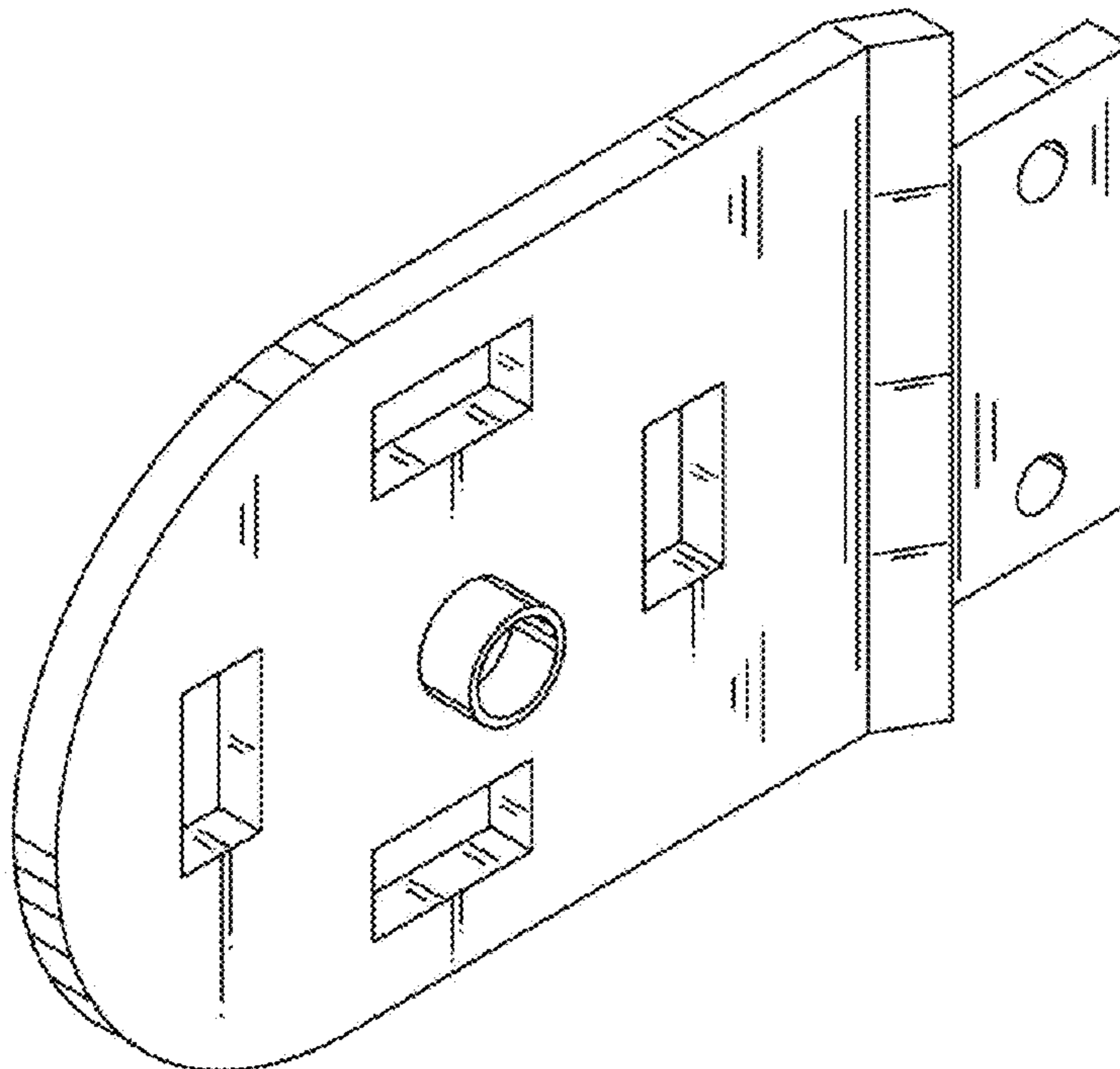
Primary Examiner — Karen S Acker
Assistant Examiner — Wendy Arminio
(74) *Attorney, Agent, or Firm* — Guice Patents PLLC

(57) **CLAIM**
I claim the ornamental design for a bracket for a roller blind, as shown and described.

DESCRIPTION

FIG. 1 is a perspective view of a bracket for a roller blind;
FIG. 2 is a front view thereof;
FIG. 3 is a rear view thereof;
FIG. 4 is a right side view thereof;
FIG. 5 is a left side view thereof;
FIG. 6 is a top view thereof; and,
FIG. 7 is a bottom view thereof.

1 Claim, 4 Drawing Sheets



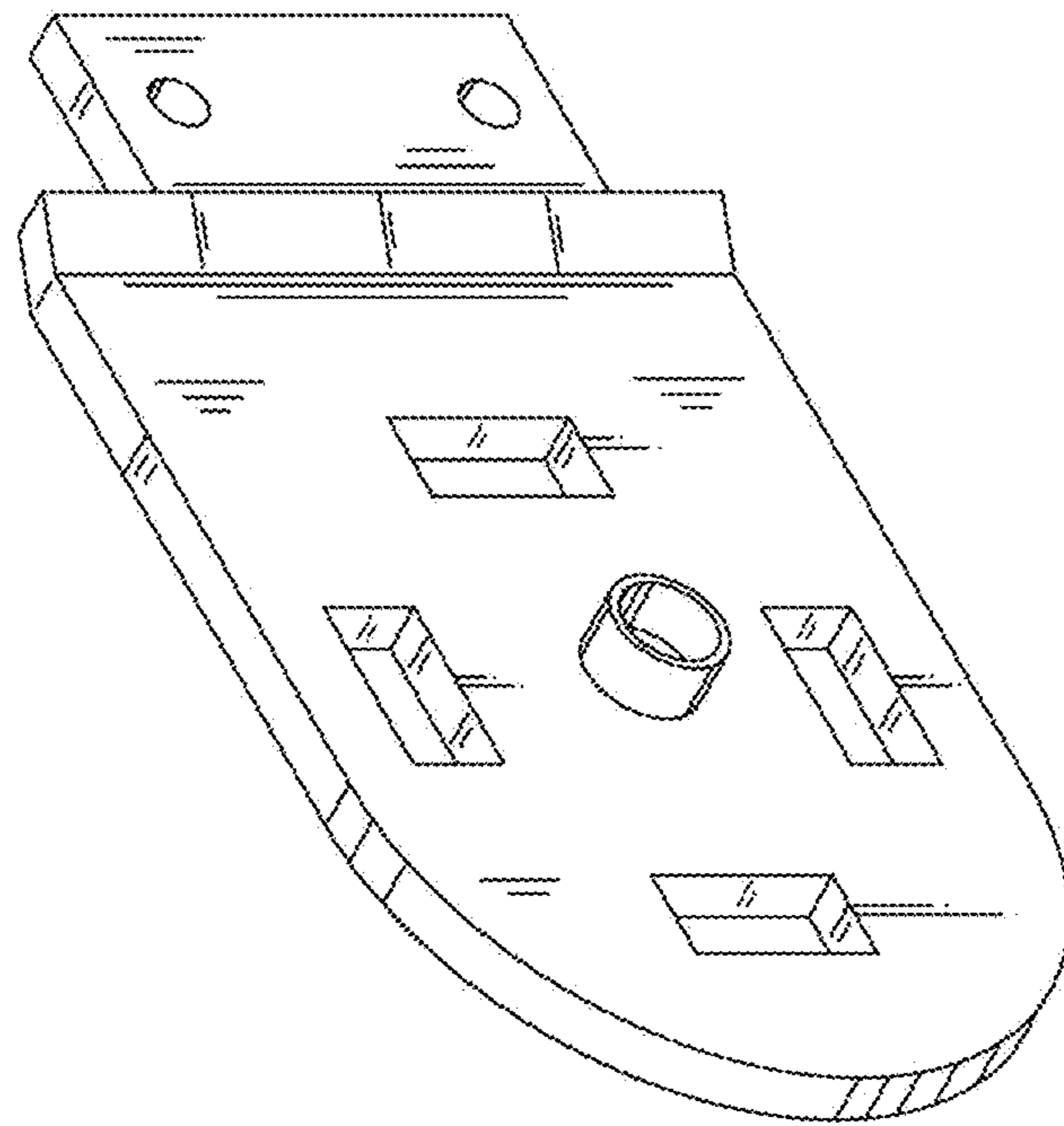


FIG.1



FIG.3

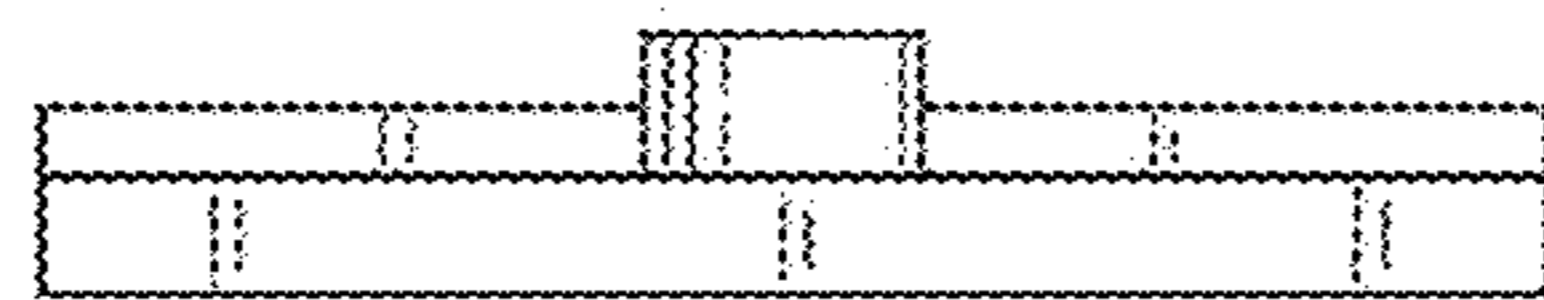


FIG.2

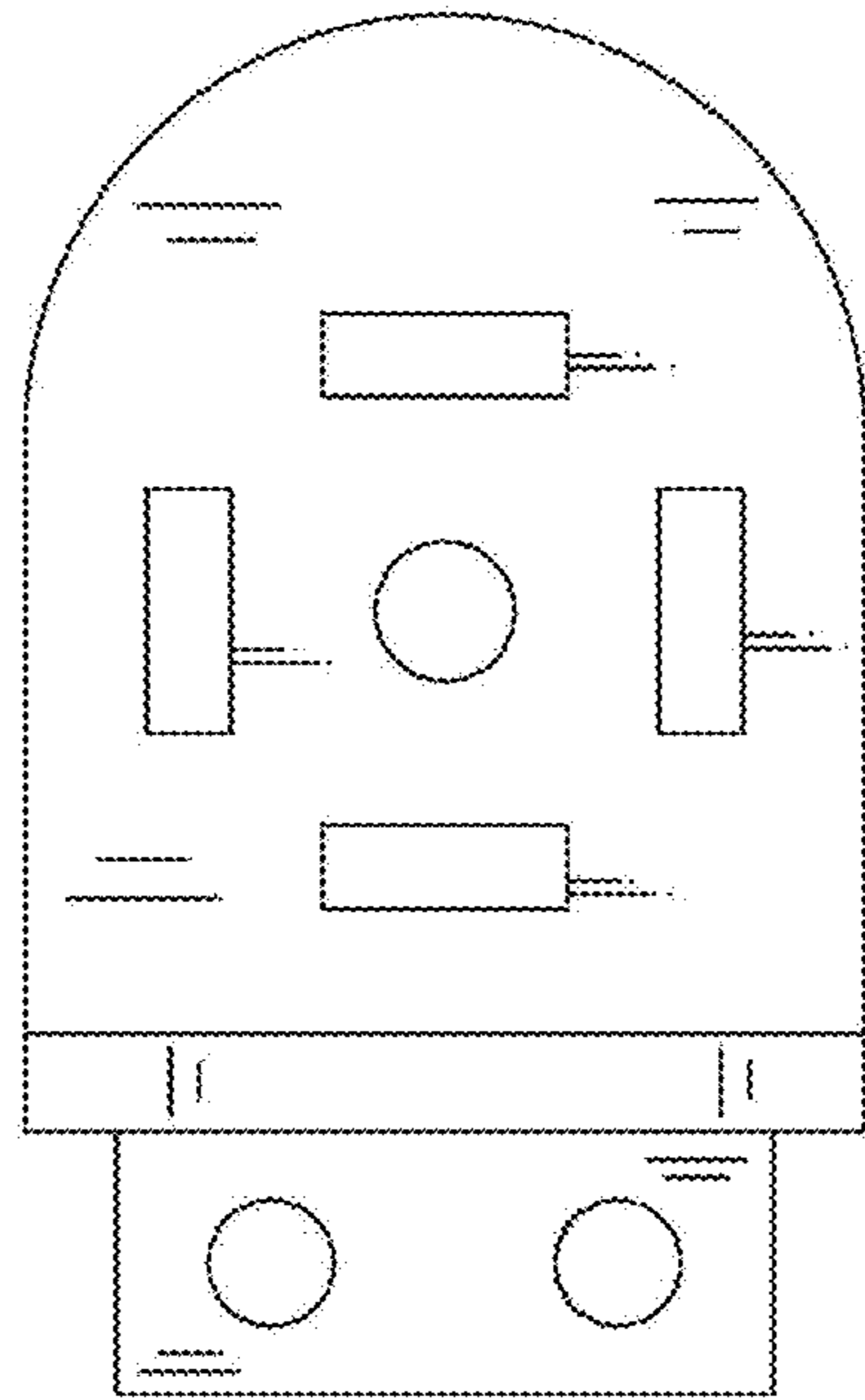


FIG.5

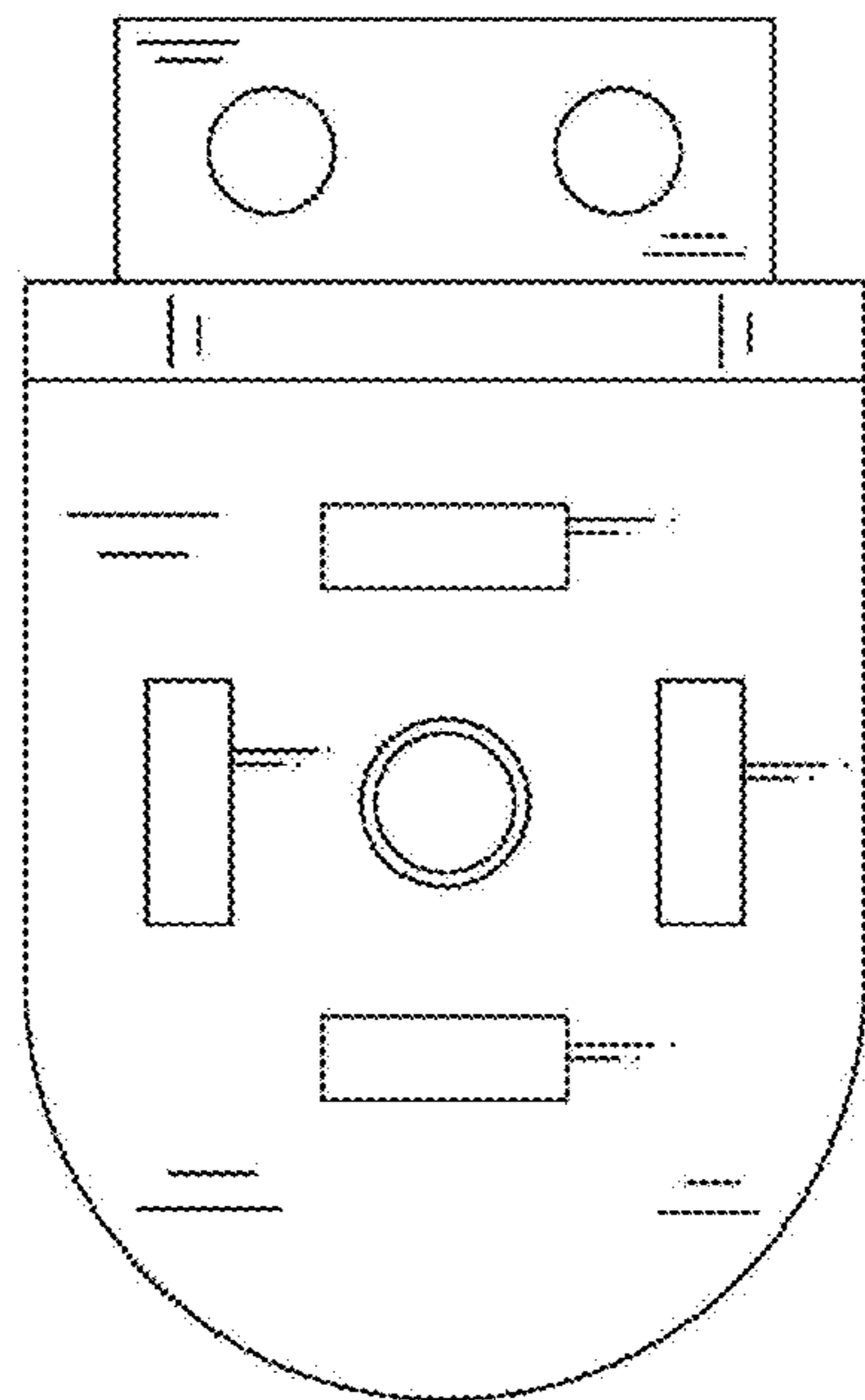


FIG.4

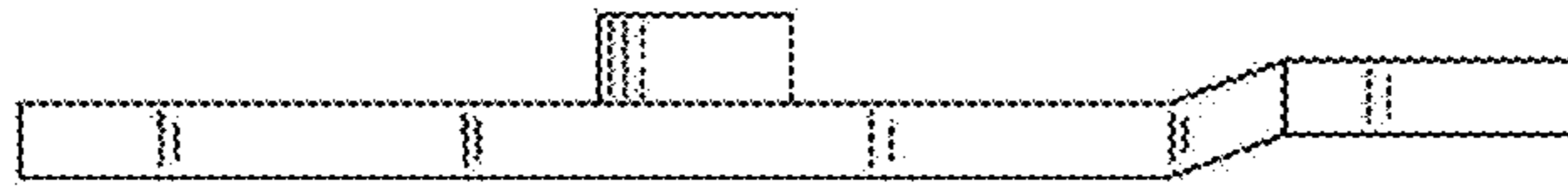


FIG. 7

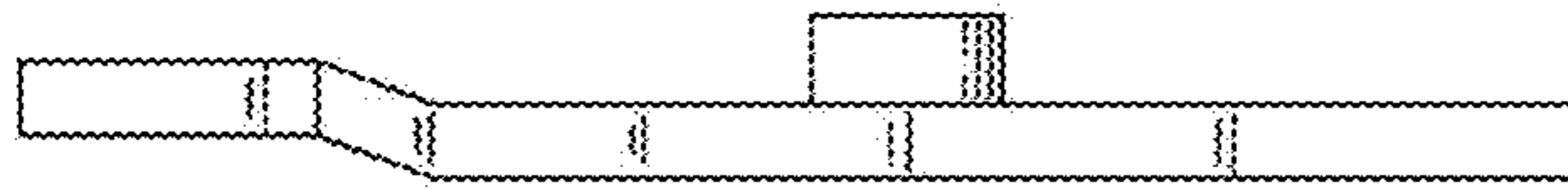


FIG. 6