



US00D721237S

(12) **United States Design Patent**
Selig

(10) **Patent No.:** **US D721,237 S**
(45) **Date of Patent:** **** Jan. 20, 2015**

(54) **CHAIR**

(71) Applicant: **Colin Selig**, Lafayette, CA (US)

(72) Inventor: **Colin Selig**, Lafayette, CA (US)

(**) Term: **14 Years**

(21) Appl. No.: **29/469,817**

(22) Filed: **Oct. 15, 2013**

(51) **LOC (10) Cl.** **06-01**

(52) **U.S. Cl.**
USPC **D6/358**

(58) **Field of Classification Search**

USPC D6/334–336, 344–358, 360–381, 388,
D6/403, 491–502, 692, 708, 709.2, 711.1,
D6/716, 716.2–716.4, 717; D21/521;
297/440.15–440.23, 445.1, 446.2,
297/448.1, 452.12, 452.18, 452.2, 452.21,
297/452.38, 452.48

See application file for complete search history.

(56) **References Cited**

U.S. PATENT DOCUMENTS

| | | | | |
|--------------|---------|-----------|-------|---------|
| D79,058 S * | 7/1929 | Aiello | | D6/336 |
| D210,824 S * | 4/1968 | Bli | | D6/363 |
| D215,598 S * | 10/1969 | Miller | | D6/357 |
| D404,926 S * | 2/1999 | Smith | | D6/334 |
| D408,645 S * | 4/1999 | Smith | | D6/377 |
| D427,447 S * | 7/2000 | Vu et al. | | D6/381 |
| D427,799 S * | 7/2000 | Vu | | D6/381 |
| D471,602 S * | 3/2003 | Choi | | D21/521 |
| D477,924 S * | 8/2003 | Say | | D6/358 |
| D683,146 S | 5/2013 | Selig | | |
| D683,147 S | 5/2013 | Selig | | |
| D683,148 S | 5/2013 | Selig | | |

OTHER PUBLICATIONS

Selig, Colin, "Creation of Propane Tank Seating," Internet. Available at <http://www.colinselig.com/genesis.html>.

Arad, Ron, "Well Tempered Chair," sheet steel and thumb screws, 80x98.5x80 cm, 1986 (month unknown). Description via Internet. Available at <http://www.design-museum.de/en/collection/100-masterpieces/detailseiten/well-tempered-chair-arad.html>. Available at least as of May 22, 2013.

* cited by examiner

Primary Examiner — Ricky Pham

(74) *Attorney, Agent, or Firm* — PatentBest; Andrew McAleavey

(57) **CLAIM**

The ornamental design for a chair, as shown and described.

DESCRIPTION

FIG. 1 is a front perspective view of a chair embodying my new design;

FIG. 2 is a rear perspective view of the chair;

FIG. 3 is a front elevational view of the chair;

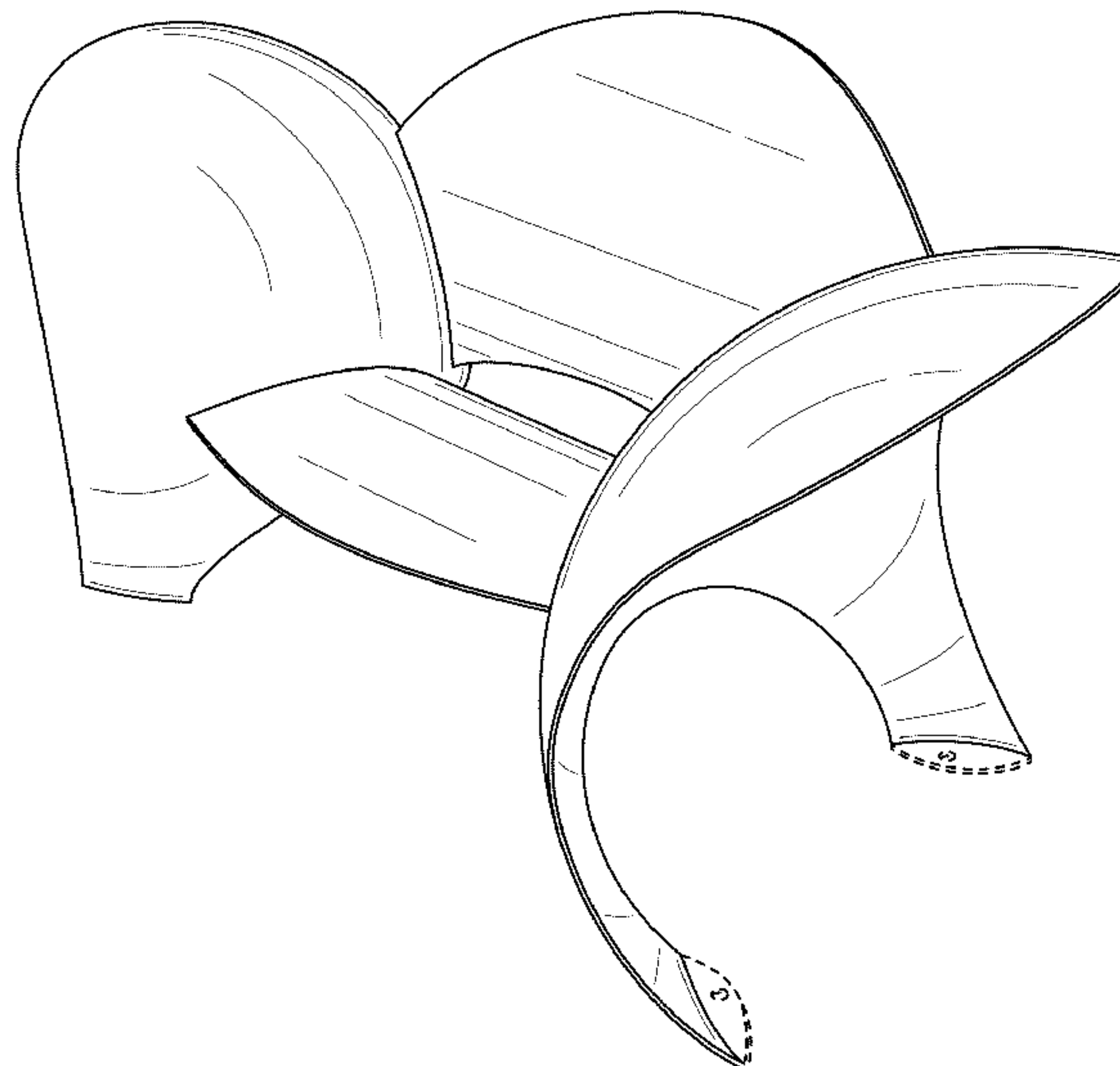
FIG. 4 is a side elevational view of one side of the chair, the two sides being mirror images of one another;

FIG. 5 is a rear elevational view of the chair; and,

FIG. 6 is a top plan view of the chair.

The broken lines immediately adjacent the shaded areas represent the bounds of the claimed design, while all other broken lines are directed to environment and are for illustrative purposes only; the broken lines form no part of the claimed design.

1 Claim, 4 Drawing Sheets



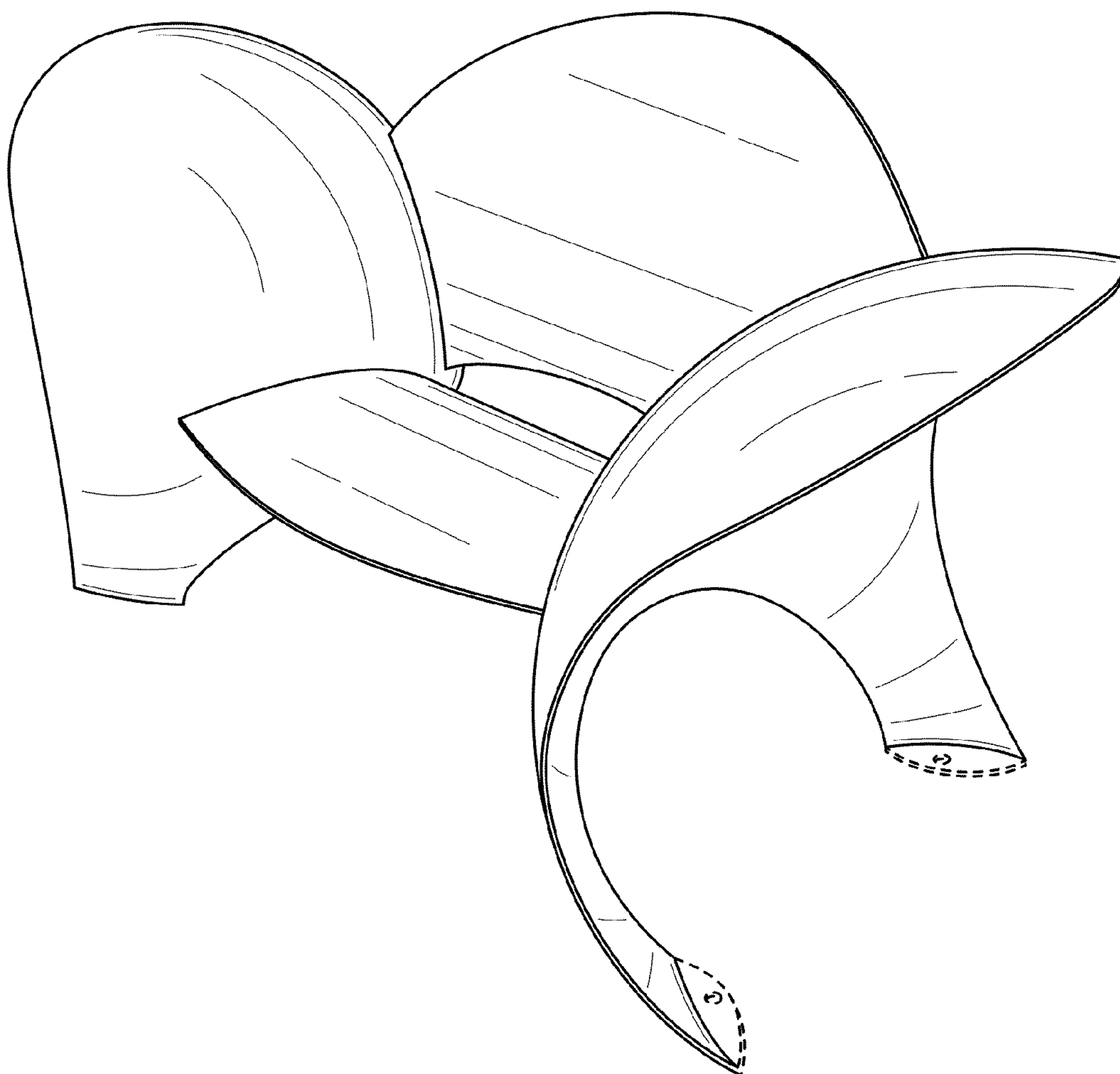


FIG. 1



FIG. 2

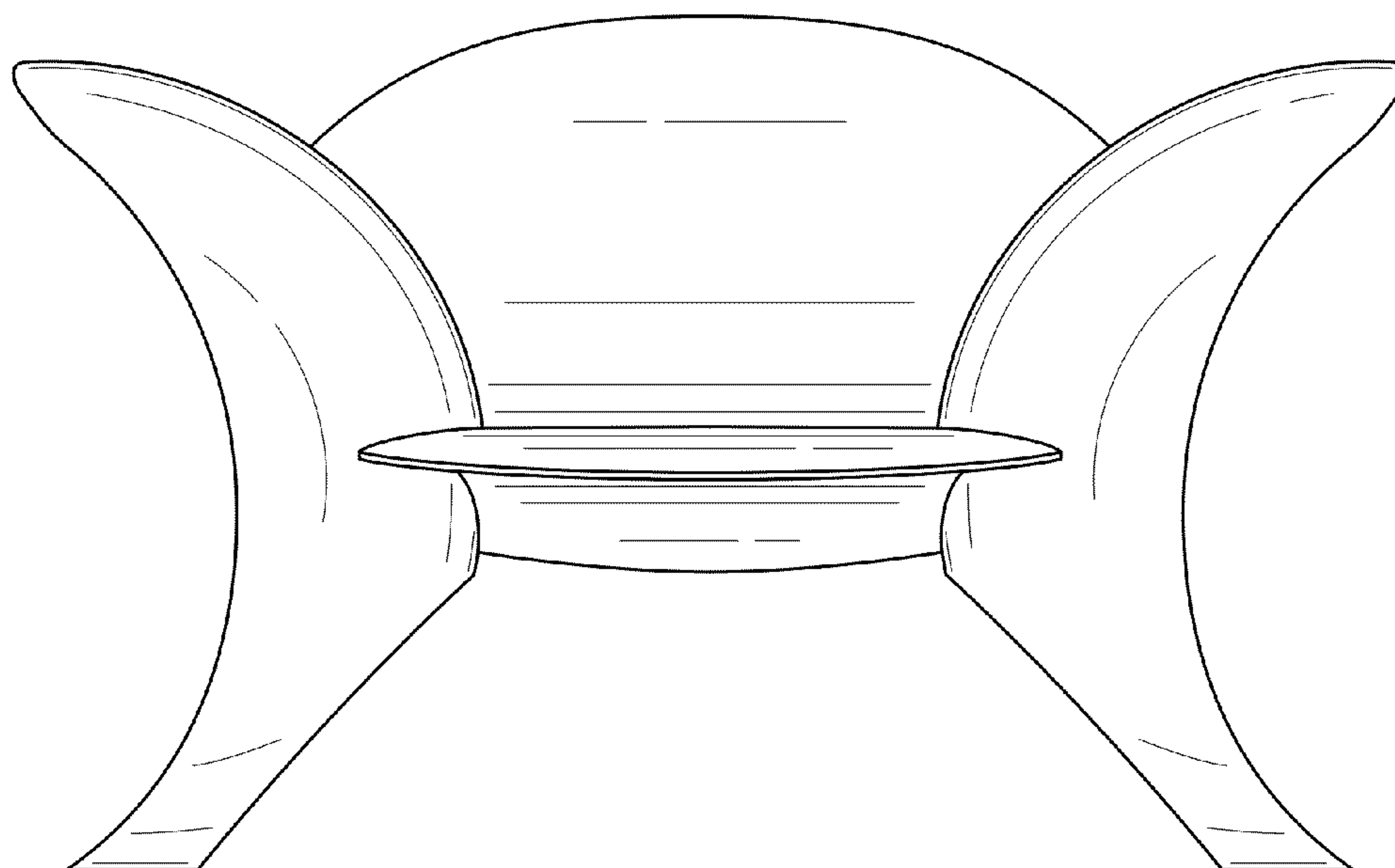


FIG. 3

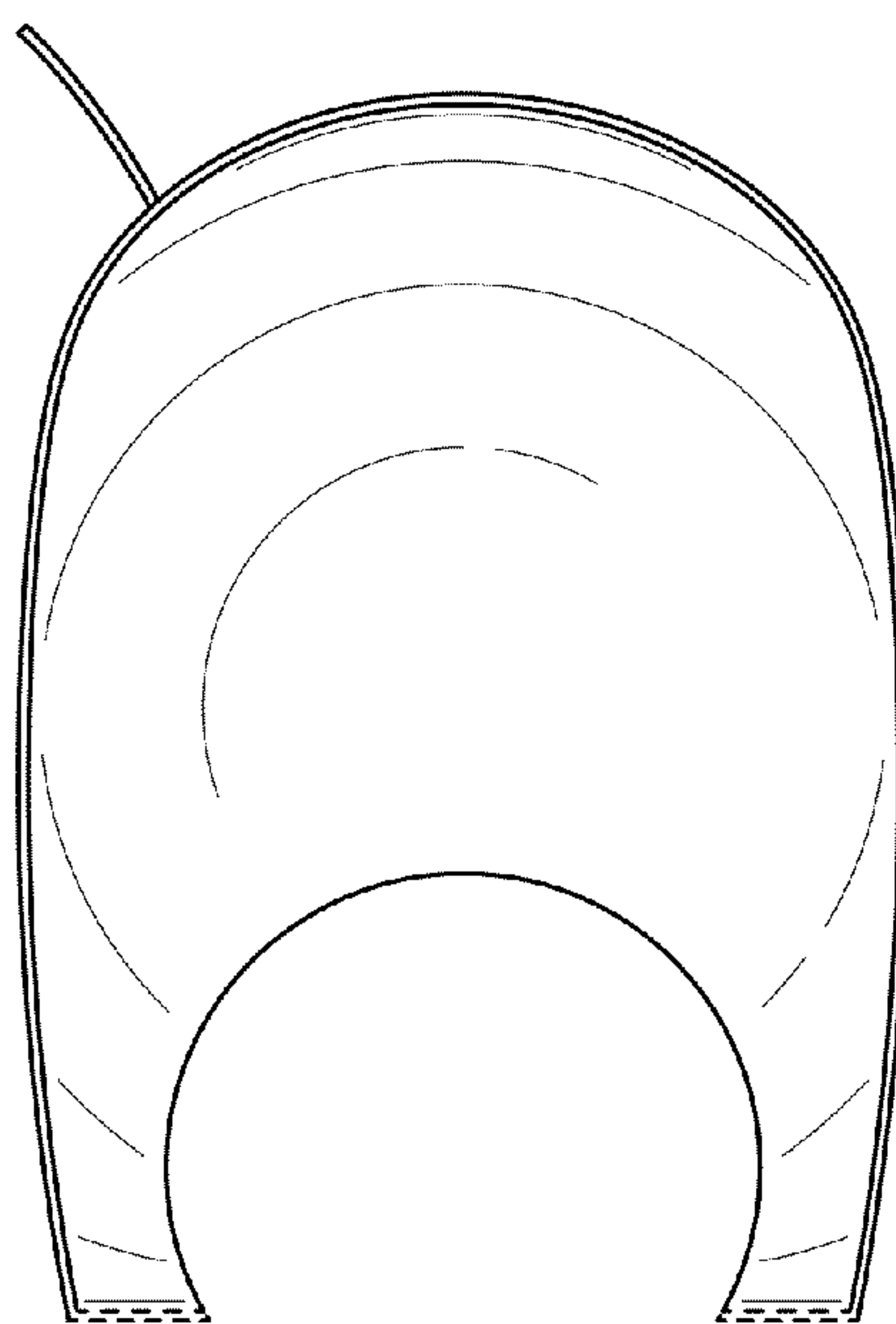


FIG. 4

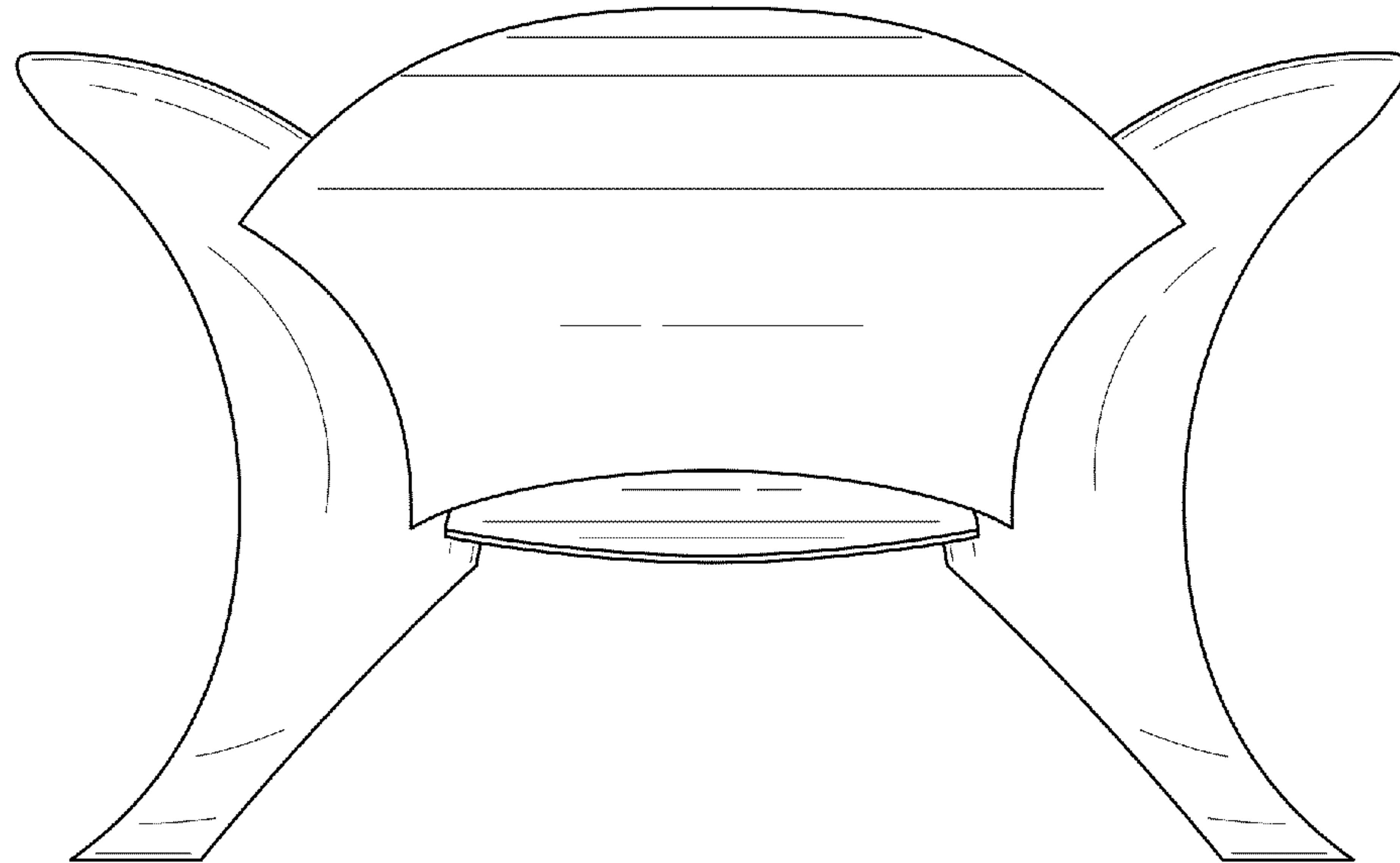


FIG. 5

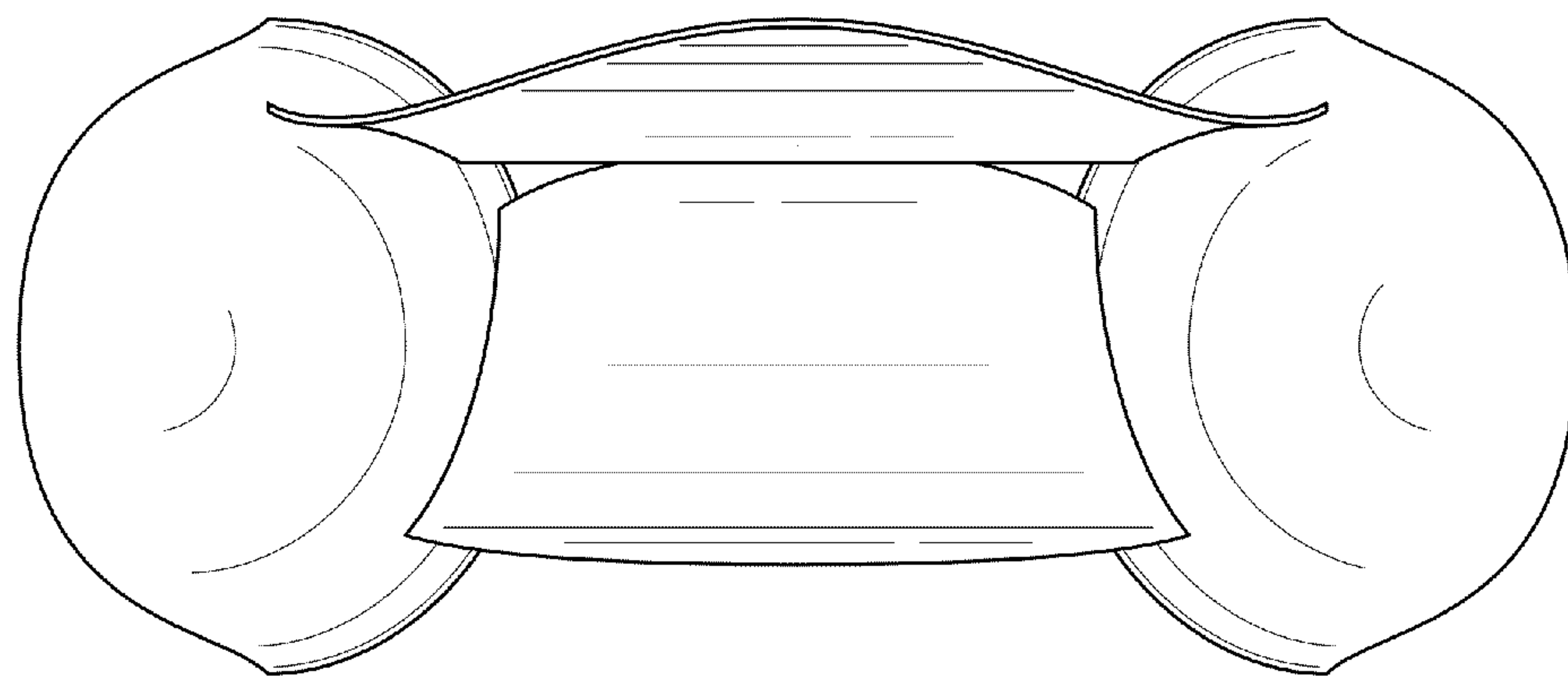


FIG. 6