



US00D721231S

(12) **United States Design Patent**
Steele

(10) **Patent No.:** **US D721,231 S**
(45) **Date of Patent:** **** Jan. 20, 2015**

- (54) **ACCESSORY CASE**
- (71) Applicant: **Milwaukee Electric Tool Corporation**,
Brookfield, WI (US)
- (72) Inventor: **Michael S. Steele**, Waukesha, WI (US)
- (73) Assignee: **Milwaukee Electric Tool Corporation**,
Brookfield, WI (US)
- (**) Term: **14 Years**
- (21) Appl. No.: **29/464,723**
- (22) Filed: **Aug. 20, 2013**
- (51) **LOC (10) Cl.** **03-01**
- (52) **U.S. Cl.**
USPC **D3/282; D3/905**
- (58) **Field of Classification Search**
USPC D3/280–288, 291–297, 900–905, 272,
D3/273, 276, 302; D9/415, 276, 282, 424,
D9/426; 206/372–379, 349, 508;
220/523–528, 23.4, 324, 326
See application file for complete search history.

(56) **References Cited**
U.S. PATENT DOCUMENTS

33,253 A	9/1861	Lewis
337,888 A	3/1886	Swan
858,393 A	7/1907	Horner
2,228,493 A	1/1941	Will
2,228,921 A	1/1941	Frederick
2,287,425 A	6/1942	Fox
2,370,928 A	3/1945	Baldanza
2,508,951 A	5/1950	Kazimier
2,687,157 A	8/1954	Cowan
2,800,220 A	7/1957	Hawver
3,061,136 A	10/1962	Sterngart
3,360,644 A	12/1967	Lillebostad
3,583,556 A	6/1971	Wagner

4,191,291 A 3/1980 Brown
4,211,337 A 7/1980 Weavers et al.
4,469,225 A 9/1984 Takahashi

(Continued)

Primary Examiner — Jennifer Rivard

Assistant Examiner — April Rivas

(74) *Attorney, Agent, or Firm* — Michael Best & Friedrich LLP

(57) **CLAIM**

I claim the ornamental design for an accessory case, as shown and described.

DESCRIPTION

FIG. 1 is a perspective view of an accessory case according to one embodiment of the invention.

FIG. 2 is a front view of the accessory case shown in FIG. 1.

FIG. 3 is a rear view of the accessory case shown in FIG. 1.

FIG. 4 is a first side view of the accessory case shown in FIG. 1.

FIG. 5 is a second side view of the accessory case shown in FIG. 1.

FIG. 6 is a top view of the accessory case shown in FIG. 1.

FIG. 7 is a bottom view of the accessory case shown in FIG. 1.

FIG. 8 is a perspective view of an accessory case according to another embodiment of the invention.

FIG. 9 is a front view of the accessory case shown in FIG. 8.

FIG. 10 is a rear view of the accessory case shown in FIG. 8.

FIG. 11 is a first side view of the accessory case shown in FIG. 8.

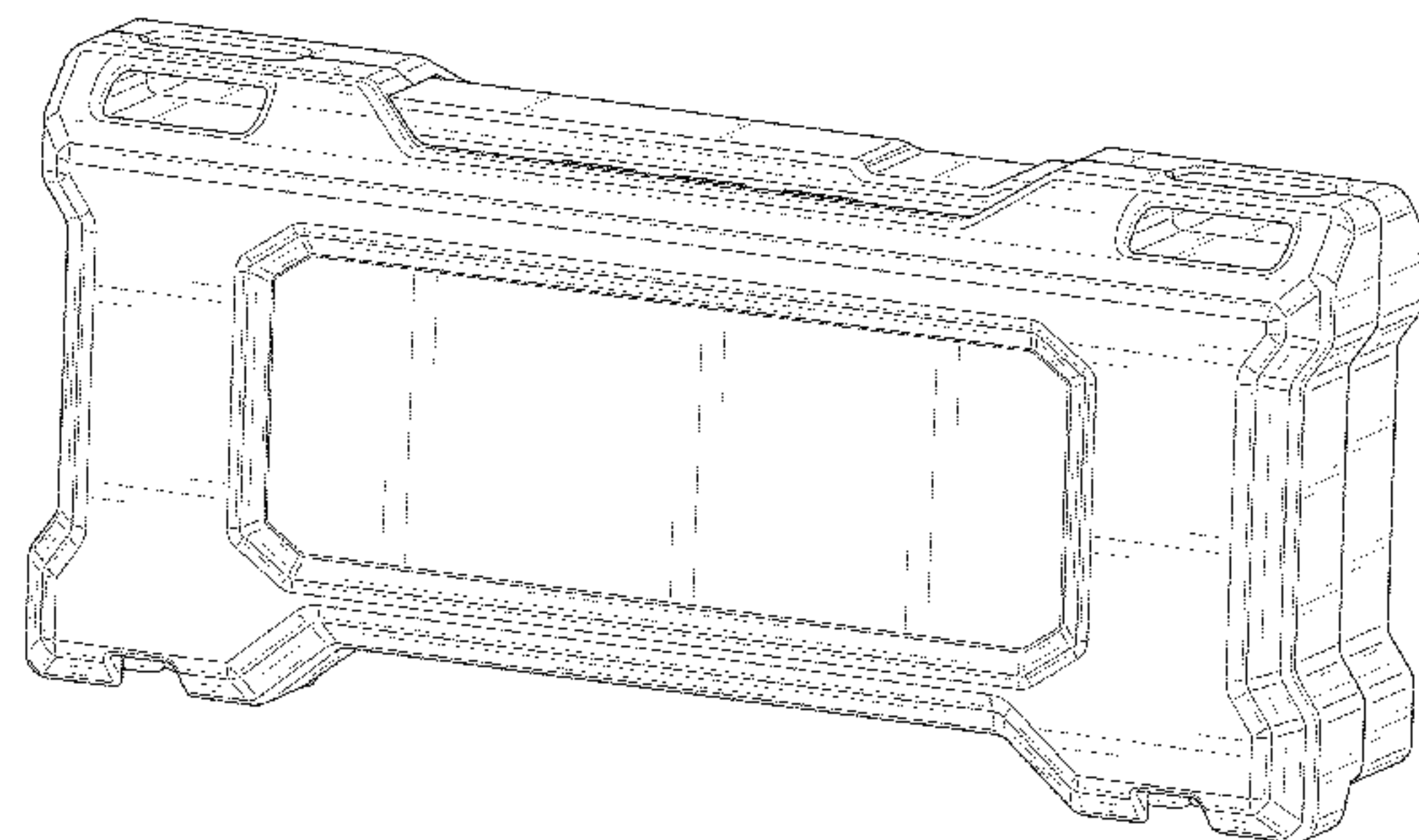
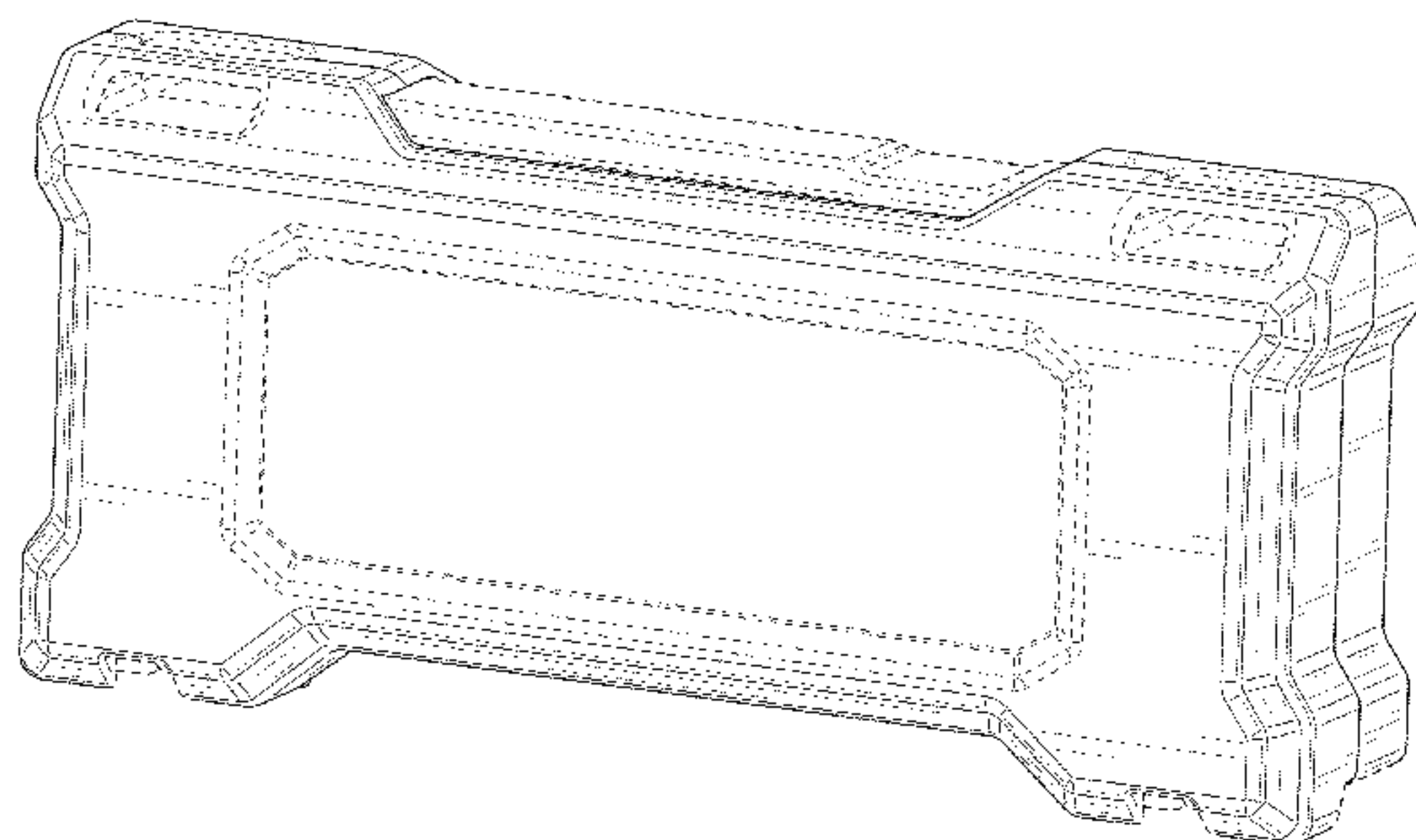
FIG. 12 is a second side view of the accessory case shown in FIG. 8.

FIG. 13 is a top view of the accessory case shown in FIG. 8; and,

FIG. 14 is a bottom view of the accessory case shown in FIG. 8.

Portions of the accessory case shown in broken lines form no part of the claimed design.

1 Claim, 14 Drawing Sheets



(56)

References Cited

U.S. PATENT DOCUMENTS

4,573,575	A	3/1986	Bergrath et al.	D481,868	S	11/2003	Cunningham et al.
4,598,822	A	7/1986	Hemmings	6,679,381	B1	1/2004	Bush
4,619,364	A	10/1986	Czopor, Jr.	6,698,608	B2	3/2004	Parker et al.
4,660,719	A	4/1987	Peterson et al.	6,698,609	B2	3/2004	Pangerc et al.
4,807,760	A	2/1989	Sussman	6,755,302	B1	6/2004	Streich et al.
4,955,478	A	9/1990	Rau et al.	6,779,681	B2	8/2004	Doerfler et al.
5,006,066	A	4/1991	Rouse	D502,316	S	3/2005	Chen
5,056,661	A	10/1991	Balzano	6,863,175	B2	3/2005	Gelardi
5,098,235	A	3/1992	Svetlik et al.	6,868,967	B2	3/2005	Lam
5,108,287	A	4/1992	Yee et al.	6,880,698	B2 *	4/2005	Fiore et al. 206/315.11
5,190,154	A	3/1993	Reusch	6,905,020	B2	6/2005	Chang
5,312,250	A	5/1994	Ellman et al.	6,913,149	B2	7/2005	Gelardi et al.
5,368,164	A	11/1994	Bennett et al.	6,942,095	B2	9/2005	Chen
5,429,235	A	7/1995	Chen	6,953,114	B2	10/2005	Wang
5,472,110	A	12/1995	Boyd et al.	RE38,905	E	12/2005	Wei
D367,759	S	3/1996	Jacobson	6,978,890	B2	12/2005	Pangerc et al.
5,497,875	A	3/1996	Kuo	6,988,616	B2	1/2006	Chen
5,520,400	A	5/1996	Hung	6,994,214	B2	2/2006	Yang
5,526,929	A	6/1996	Wei	7,032,750	B2	4/2006	Antenbrink
5,562,208	A	10/1996	Hasler et al.	7,159,712	B1 *	1/2007	Chen 206/349
5,570,784	A	11/1996	Sidabras et al.	7,225,923	B2	6/2007	Hallee et al.
5,641,066	A	6/1997	Mascaro	7,249,676	B2	7/2007	Wang
5,676,254	A	10/1997	Cheng et al.	7,316,309	B2	1/2008	Streich et al.
5,758,769	A	6/1998	Vasudeva	7,322,470	B2	1/2008	Brunson
5,758,770	A *	6/1998	Moneta 206/379	7,331,455	B2	2/2008	Lin
5,813,532	A	9/1998	Kheradpir et al.	7,367,451	B2	5/2008	Pendergraph et al.
5,839,579	A	11/1998	Lee	7,401,698	B2 *	7/2008	Dost et al. 206/349
D403,508	S	1/1999	Kheradpir et al.	7,401,700	B2	7/2008	Dost et al.
D403,566	S	1/1999	Marsh	7,600,640	B2	10/2009	Hallee et al.
D406,057	S	2/1999	Hager	7,661,526	B2	2/2010	Lin
5,887,715	A	3/1999	Vasudeva	7,677,391	B2	3/2010	Pistor et al.
5,957,285	A	9/1999	Lai	7,780,016	B1	8/2010	Cornwell et al.
D418,977	S	1/2000	Streich	D624,317	S *	9/2010	Wenche et al. D3/294
6,032,796	A	3/2000	Hopper et al.	7,806,264	B1	10/2010	Lai
6,050,409	A	4/2000	Delbeck et al.	7,931,143	B1	4/2011	Lin
6,068,123	A	5/2000	Chen	8,069,984	B2	12/2011	Larson et al.
D426,705	S	6/2000	Fang	8,267,245	B2 *	9/2012	Kotula et al. 206/350
6,070,732	A	6/2000	Chen	8,276,752	B1	10/2012	Meng
D427,435	S	7/2000	Gibson et al.	8,286,792	B2	10/2012	Serpico et al.
D428,699	S	8/2000	Gibson et al.	8,292,069	B2	10/2012	Silva Rubio et al.
6,105,767	A	8/2000	Vasudeva	8,297,464	B2	10/2012	Grenier et al.
6,105,769	A	8/2000	Chen	D670,495	S *	11/2012	Lorek et al. D3/284
D431,359	S	10/2000	Lapidus	8,336,708	B2	12/2012	Potterfield et al.
D432,304	S *	10/2000	Zurwelle et al. D3/281	8,505,729	B2	8/2013	Sosnovsky et al.
D432,790	S	10/2000	Streich et al.	2002/0153203	A1	10/2002	Pangerc et al.
D433,627	S	11/2000	Vasudeva	2004/0069668	A1	4/2004	Finnigan
D436,441	S	1/2001	Lapidus	2004/0099554	A1	5/2004	Pangerc et al.
D437,684	S	2/2001	Streich et al.	2004/0154942	A1	8/2004	Streich et al.
D439,408	S	3/2001	Gibson et al.	2005/0029140	A1	2/2005	Wang
6,213,296	B1	4/2001	Streich et al.	2005/0044904	A1	3/2005	Horngren et al.
6,237,767	B1	5/2001	Lee	2005/0077198	A1	4/2005	Wikle et al.
D446,018	S	8/2001	Streich et al.	2005/0126944	A1	6/2005	Wang
D447,634	S	9/2001	Snider	2005/0166692	A1	8/2005	Wang
D448,167	S	9/2001	Pangerc et al.	2005/0178686	A1	8/2005	Pangerc et al.
6,283,291	B1	9/2001	Vasudeva et al.	2005/0211587	A1	9/2005	Chen
6,322,177	B1	11/2001	Vasudeva	2005/0241974	A1	11/2005	Chen
6,405,864	B1	6/2002	Streich et al.	2005/0269340	A1 *	12/2005	Chuan 220/835
6,415,922	B1	7/2002	Lee	2006/0065658	A1	3/2006	Brunson
D466,295	S	12/2002	Snider	2007/0262876	A1	11/2007	Marsilio et al.
6,516,639	B1	2/2003	Margetts et al.	2008/0035508	A1	2/2008	Streich et al.
6,547,074	B1	4/2003	Chen	2008/0035510	A1	2/2008	Brunson
D477,464	S	7/2003	Cang	2008/0060967	A1 *	3/2008	Chang 206/521
D477,714	S	7/2003	Cunningham et al.	2008/0135447	A1	6/2008	Wang
D477,912	S	8/2003	Cunningham et al.	2008/0210593	A1	9/2008	Cornwell et al.
D478,725	S	8/2003	Vasudeva et al.	2009/0266730	A1	10/2009	Lin
6,626,295	B1	9/2003	Vasudeva	2012/0267374	A1	10/2012	Kotula et al.
				2014/0023475	A1	1/2014	Meyers

* cited by examiner

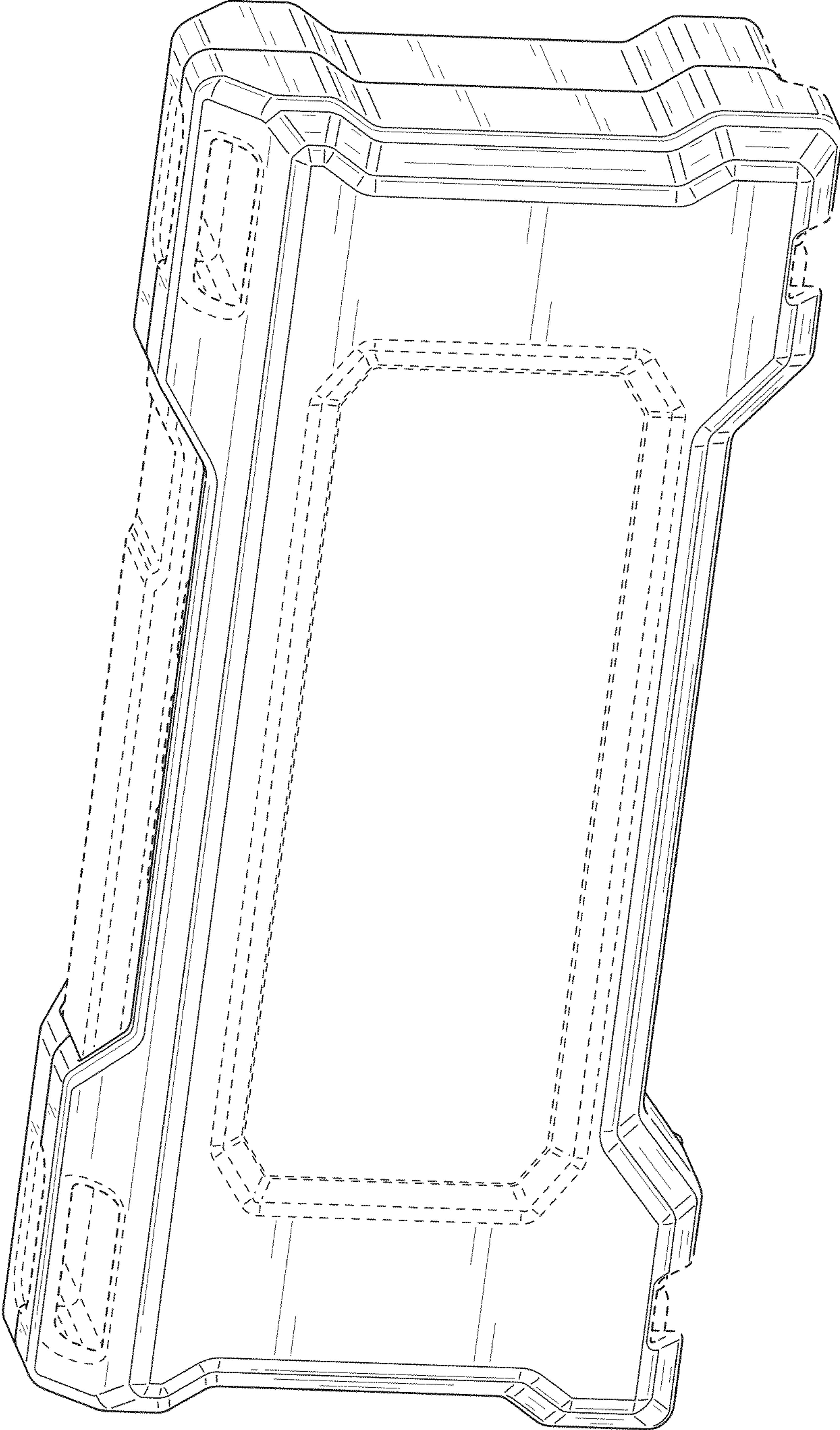


FIG. 1

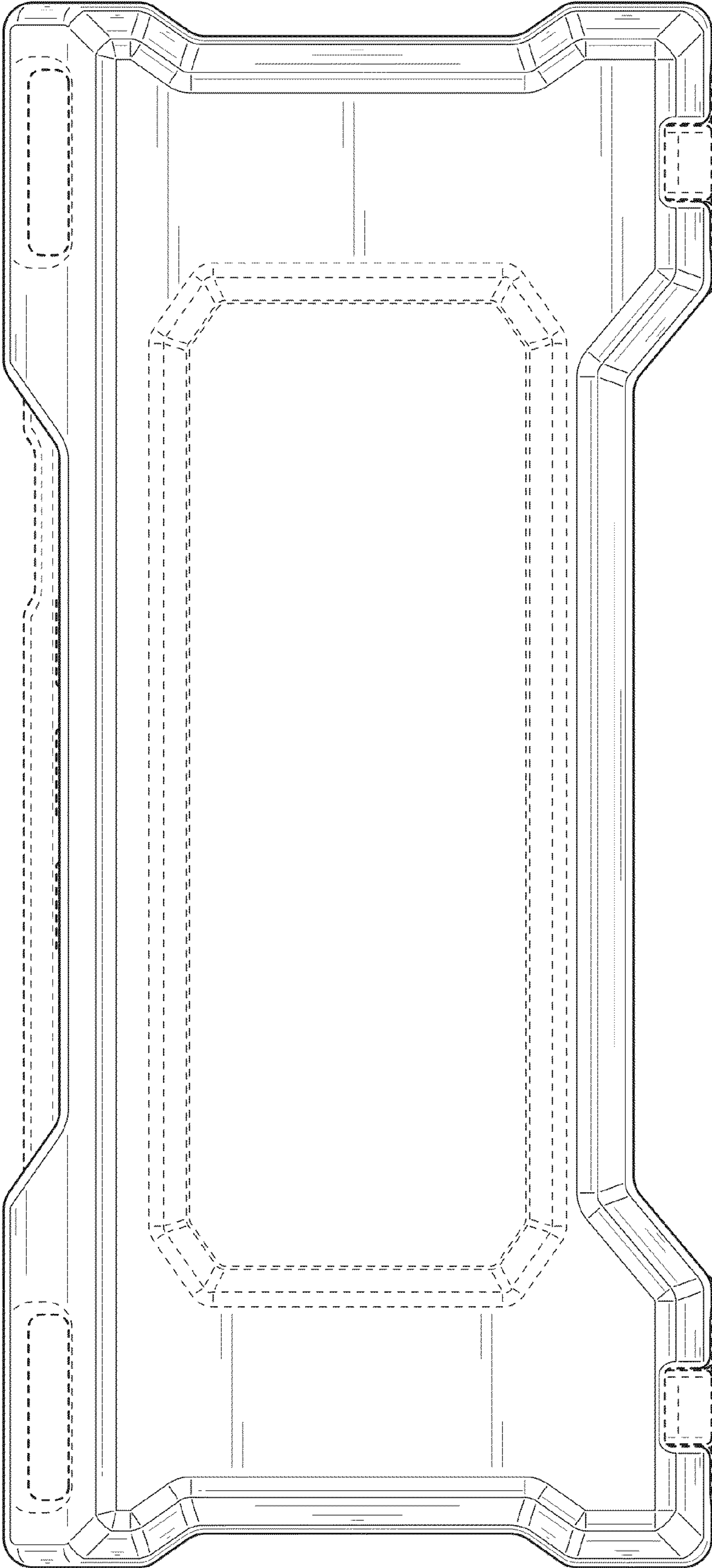


FIG. 2

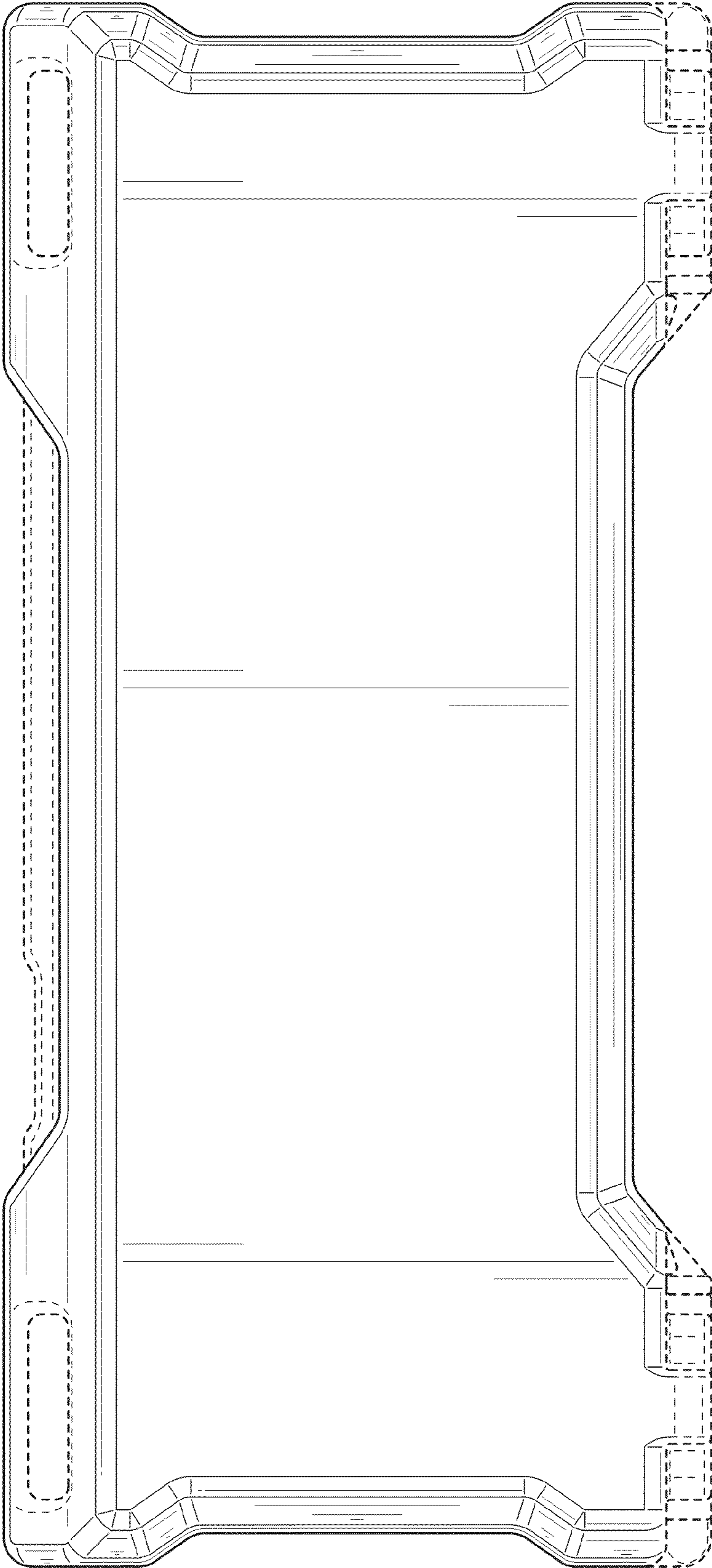


FIG. 3

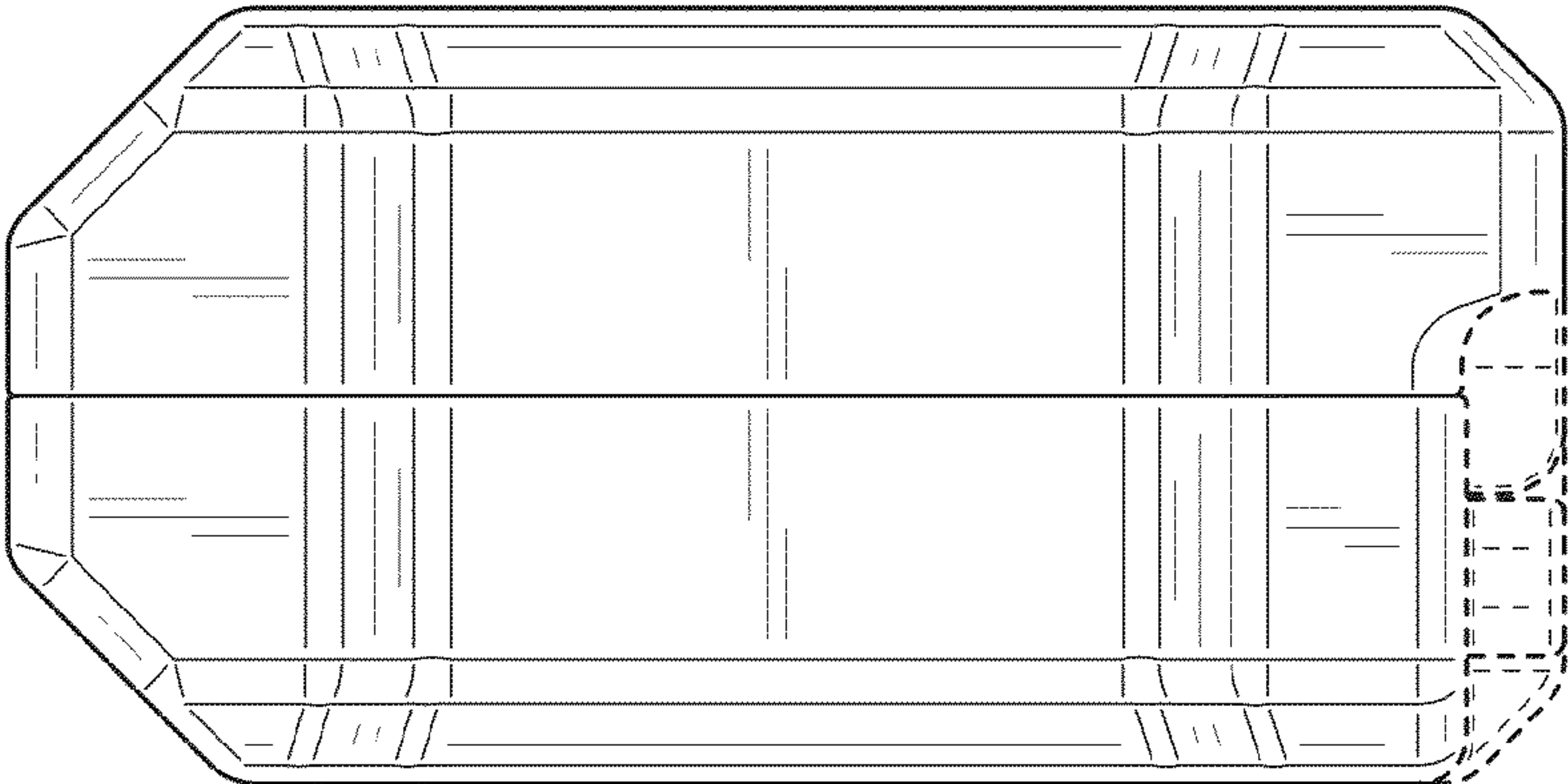


FIG. 4

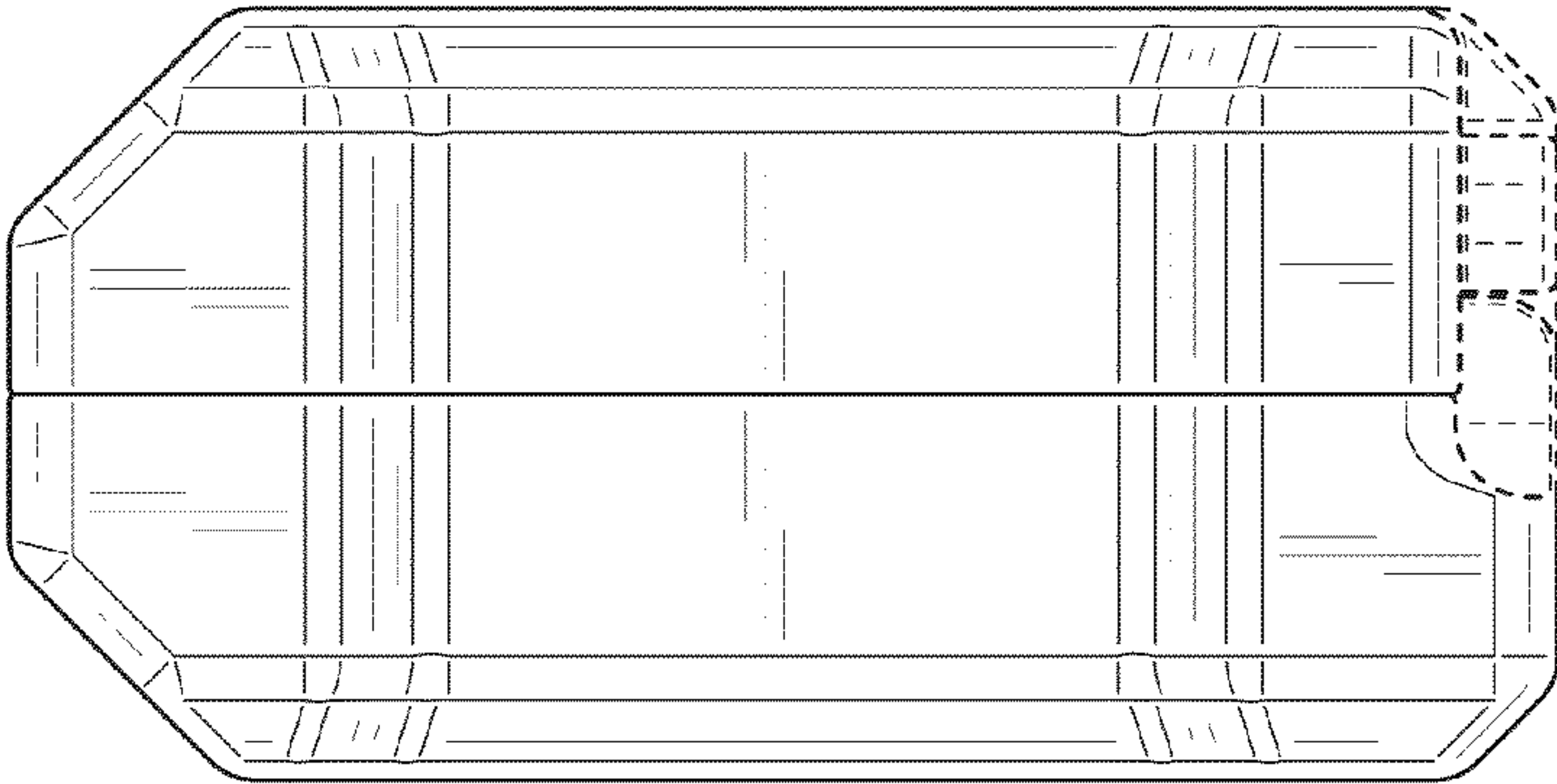


FIG. 5

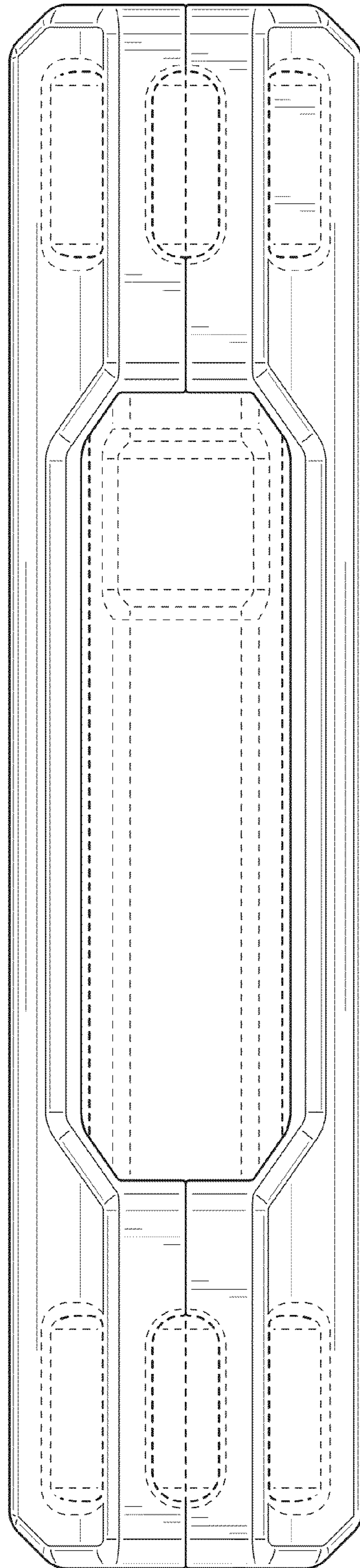


FIG. 6

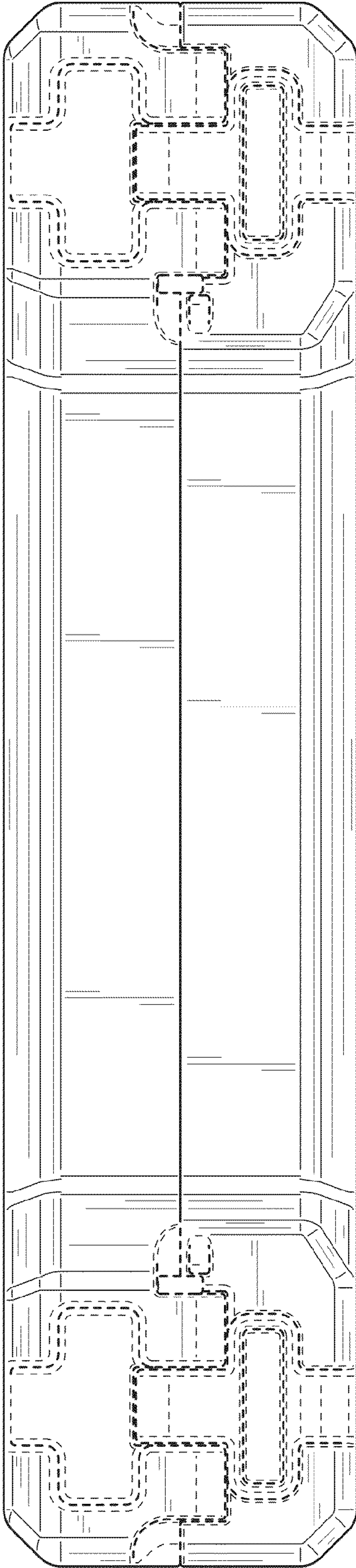


FIG. 7

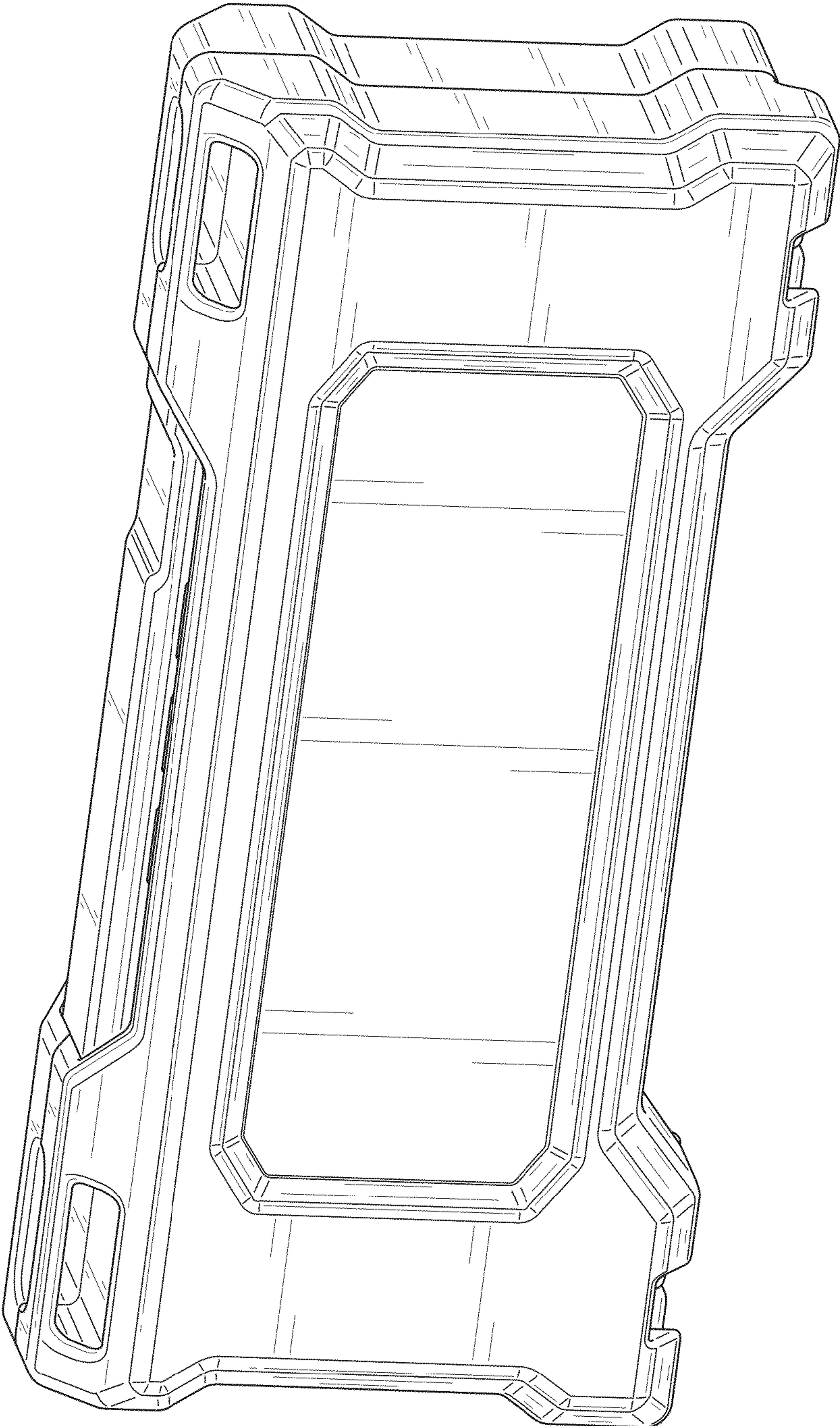


FIG. 8

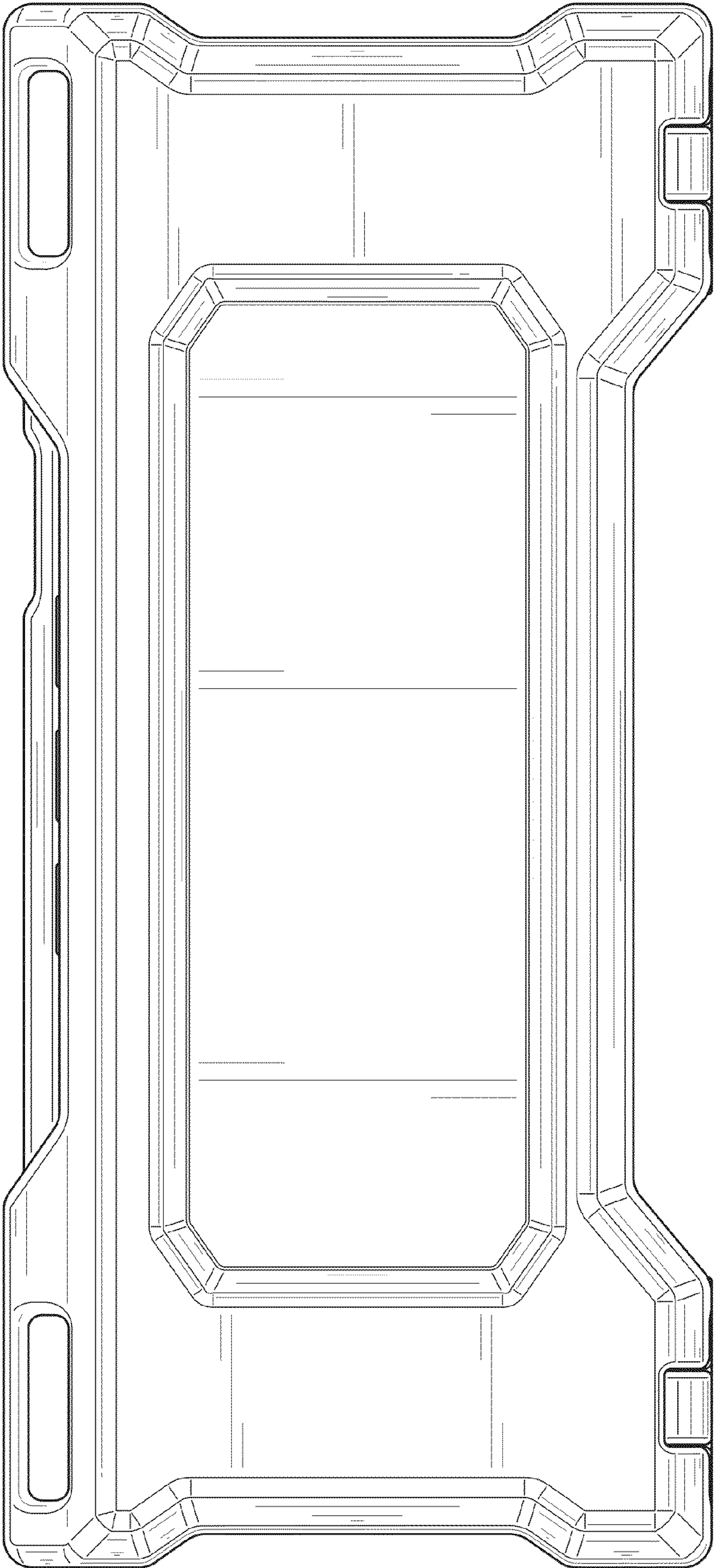


FIG. 9

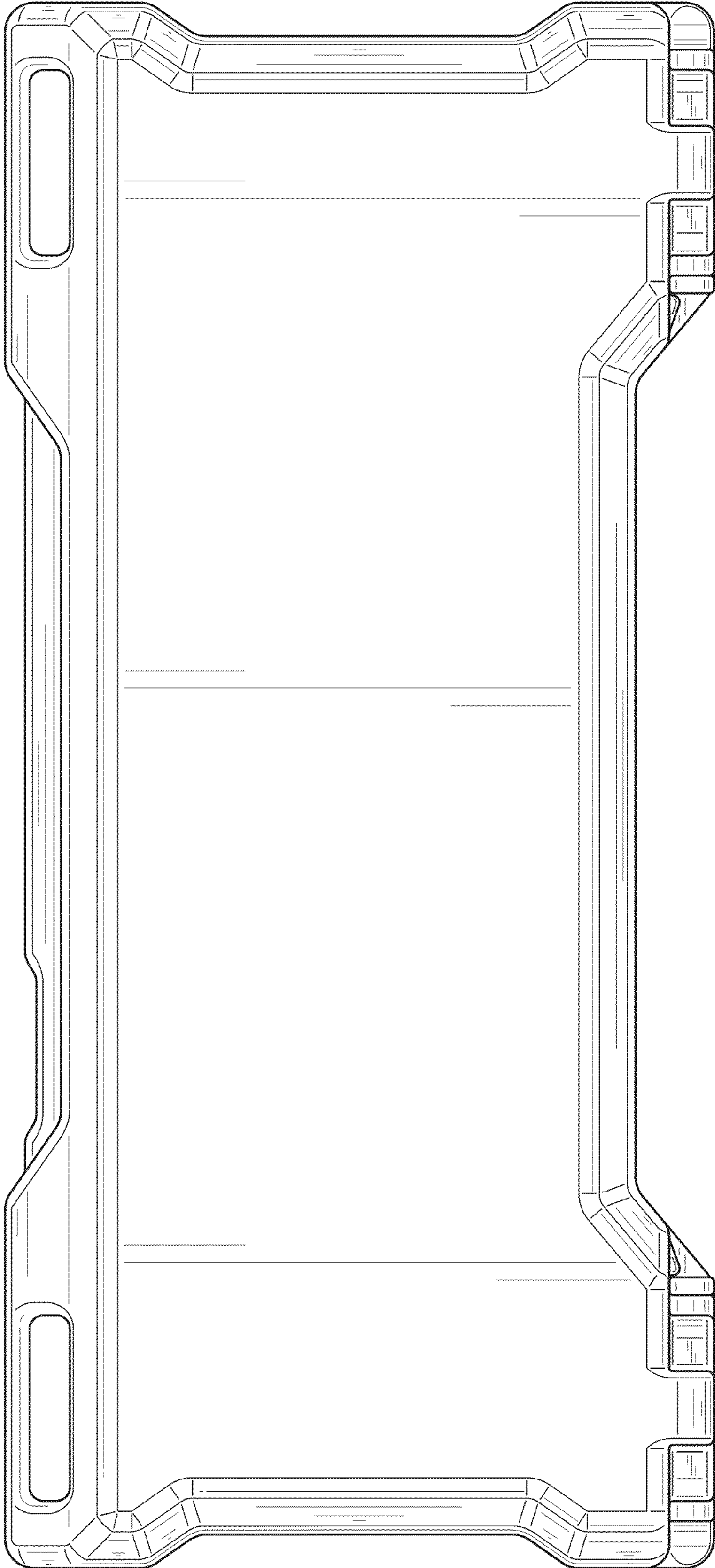


FIG. 10

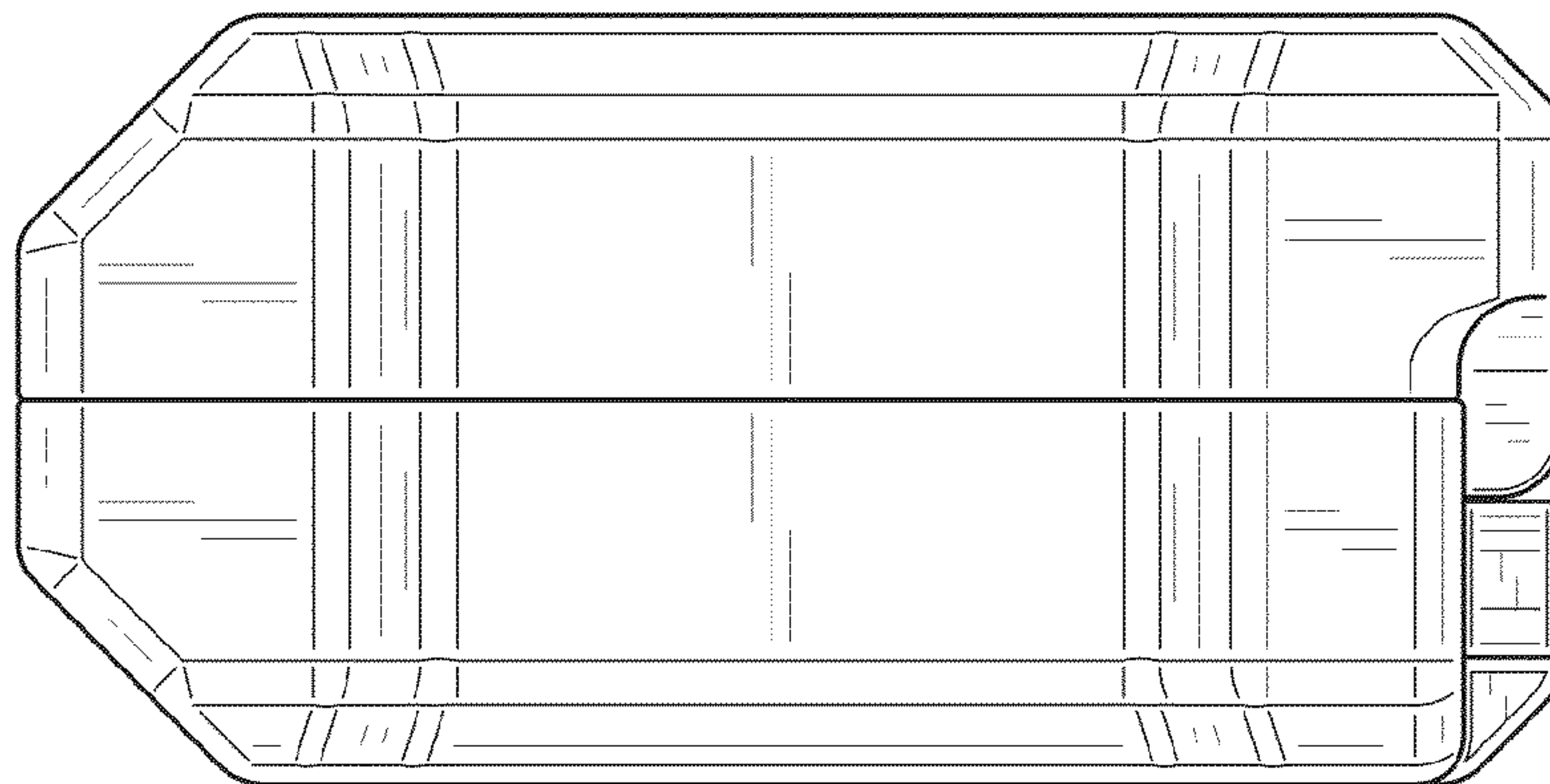


FIG. 11

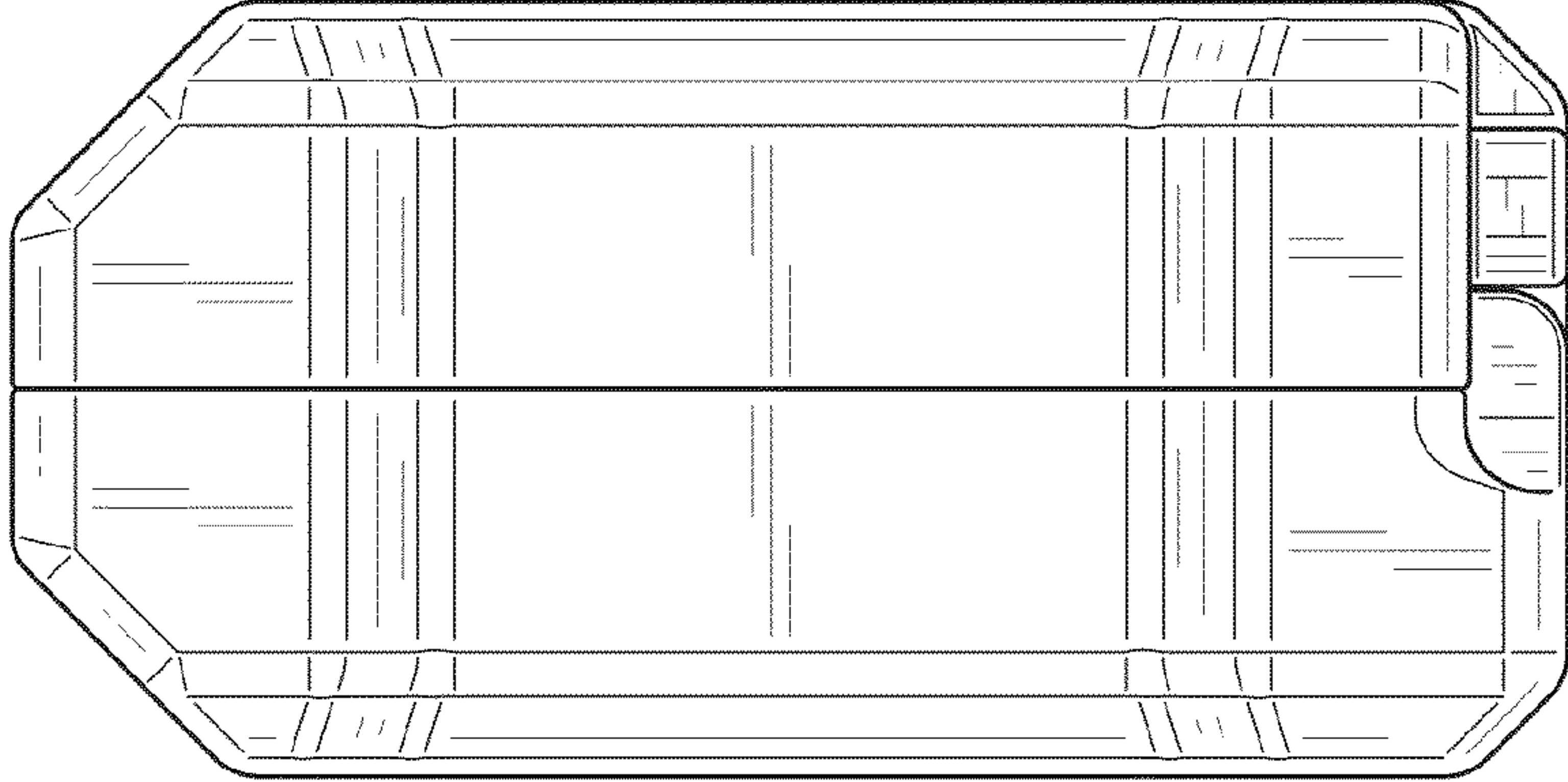


FIG. 12

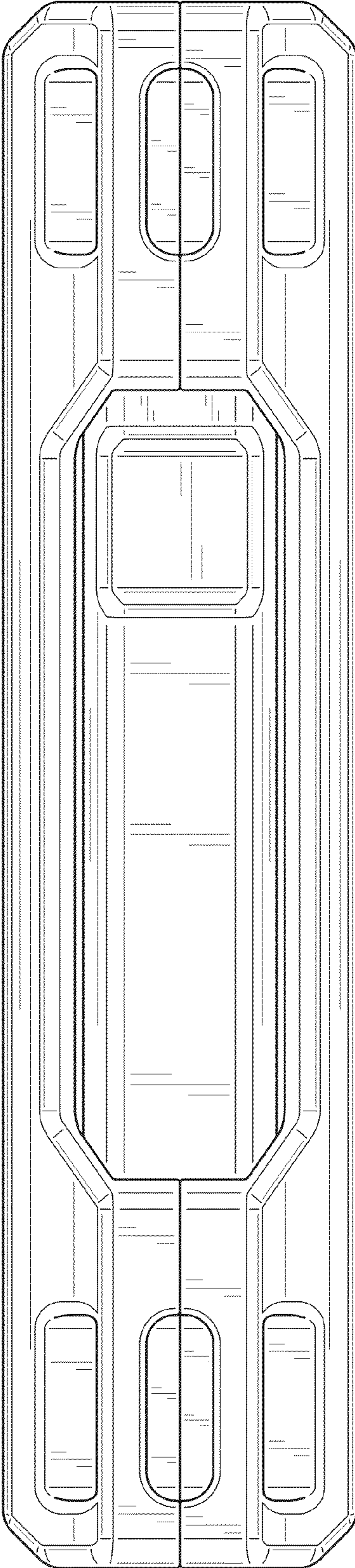


FIG. 13

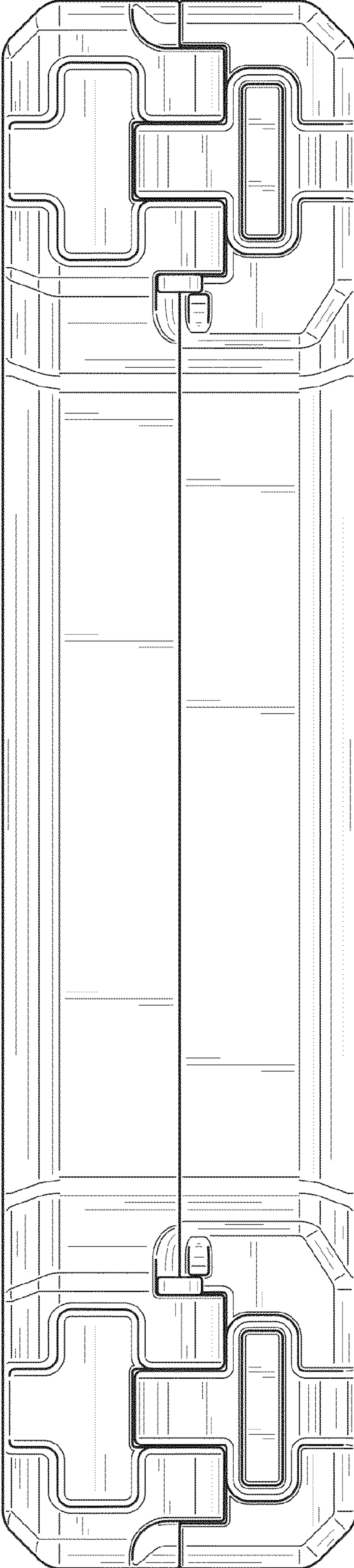


FIG. 14