



US00D721230S

(12) **United States Design Patent**  
**Yu**

(10) **Patent No.:** **US D721,230 S**  
(45) **Date of Patent:** **\*\* Jan. 20, 2015**

(54) **LUGGAGE BAG**

(71) Applicant: **Travelers Club Luggage, Inc.**, La  
Palma, CA (US)

(72) Inventor: **Peter Yu**, La Palma, CA (US)

(73) Assignee: **Travelers Club Luggage, Inc.**, La  
Palma, CA (US)

(\*\*) Term: **14 Years**

(21) Appl. No.: **29/485,299**

(22) Filed: **Mar. 18, 2014**

(51) **LOC (10) Cl.** ..... **03-01**

(52) **U.S. Cl.**  
USPC ..... **D3/279**

(58) **Field of Classification Search**  
USPC ..... D3/272, 276, 278, 279, 273, 274, 281,  
D3/289; 190/100-127, 903, 37, 39, 18 A  
See application file for complete search history.

(56) **References Cited**

**U.S. PATENT DOCUMENTS**

D522,747 S \* 6/2006 Tortorella et al. .... D3/279  
D527,521 S \* 9/2006 Sijmons ..... D3/289

D565,295 S \* 4/2008 Weir ..... D3/271.1  
D623,855 S \* 9/2010 Elliott et al. .... D3/279  
D639,057 S \* 6/2011 Presman et al. .... D3/279  
D666,414 S \* 9/2012 Giovannoni ..... D3/279  
D679,907 S \* 4/2013 Kwon ..... D3/279  
2006/0196743 A1\* 9/2006 Lin ..... 190/18 A  
2011/0187292 A1\* 8/2011 Sheikh ..... 315/313  
2011/0308907 A1\* 12/2011 Hou ..... 190/124

\* cited by examiner

*Primary Examiner* — Jennifer Rivard  
(74) *Attorney, Agent, or Firm* — Trojan Law Offices

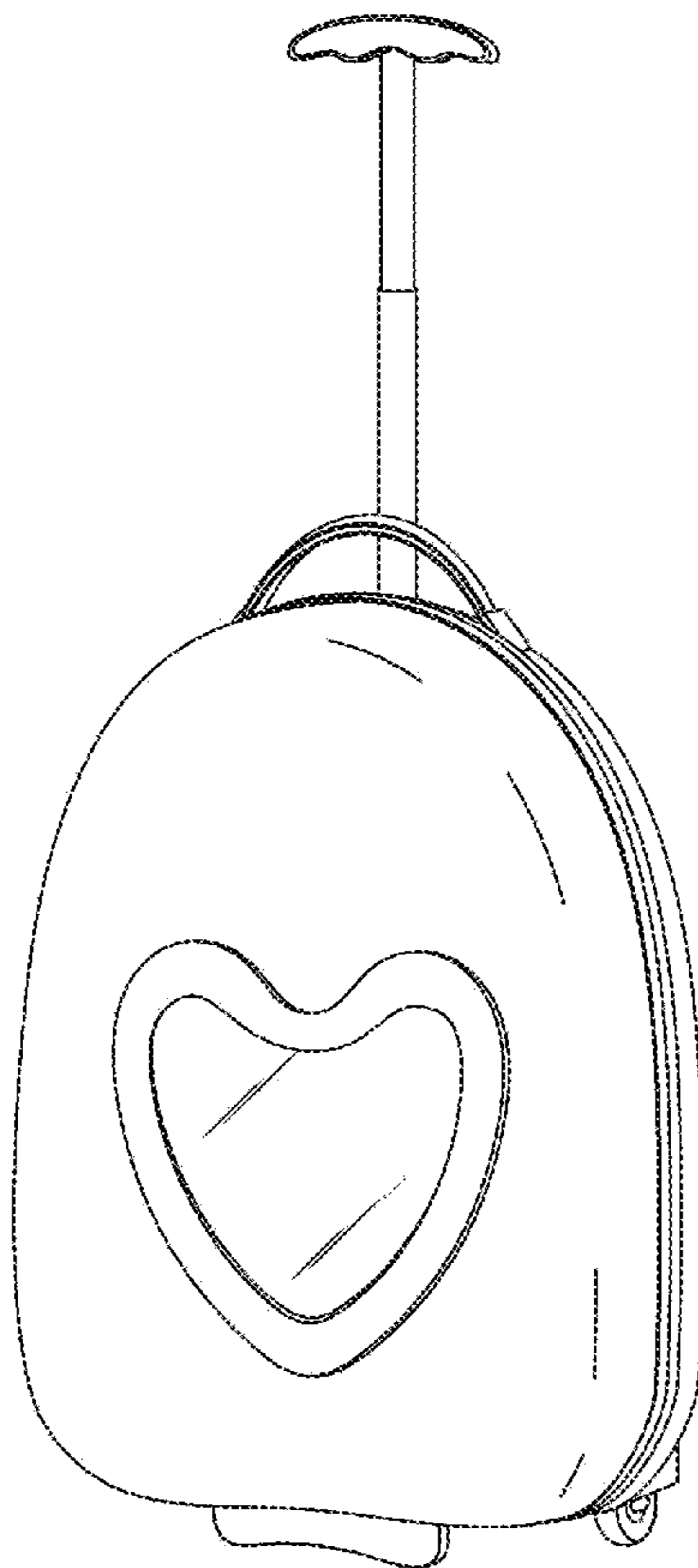
(57) **CLAIM**

The ornamental design for a luggage bag, as shown and described.

**DESCRIPTION**

FIG. 1 is a perspective view of a luggage bag showing my new design in accordance with an embodiment;  
FIG. 2 is a front view of the luggage bag shown in FIG. 1;  
FIG. 3 is a rear view of my luggage bag;  
FIG. 4 is a left side view of my luggage bag;  
FIG. 5 is a right side view of my luggage bag; and,  
FIG. 6 is a top view of my luggage bag.

**1 Claim, 6 Drawing Sheets**



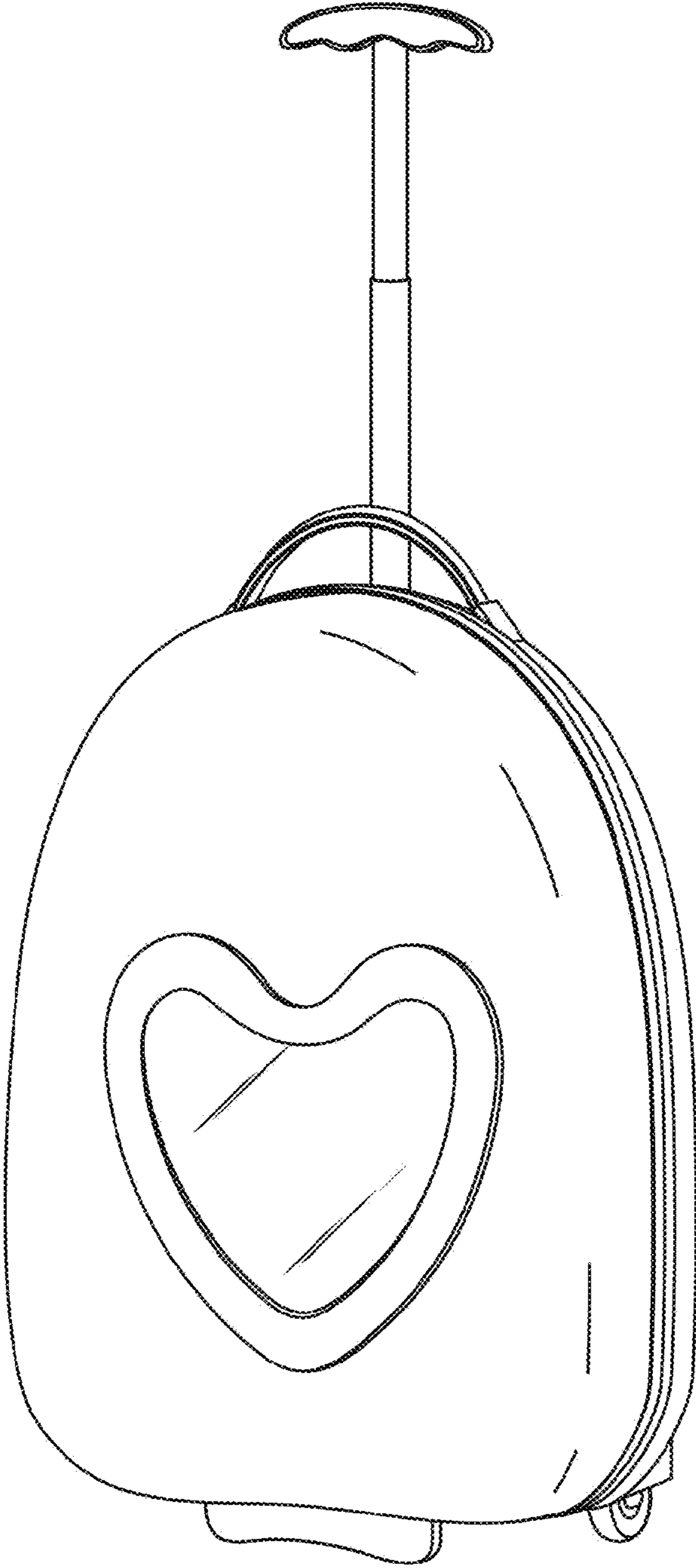


Fig. 1

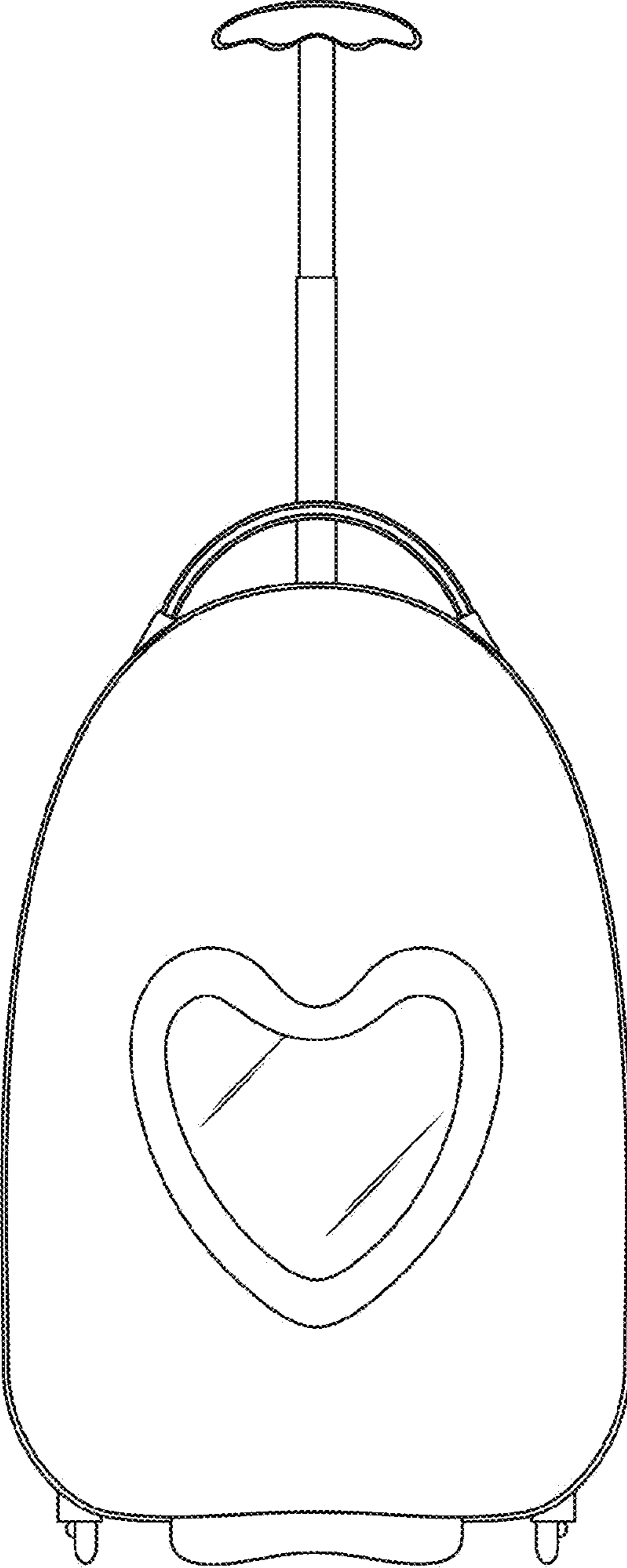


Fig. 2

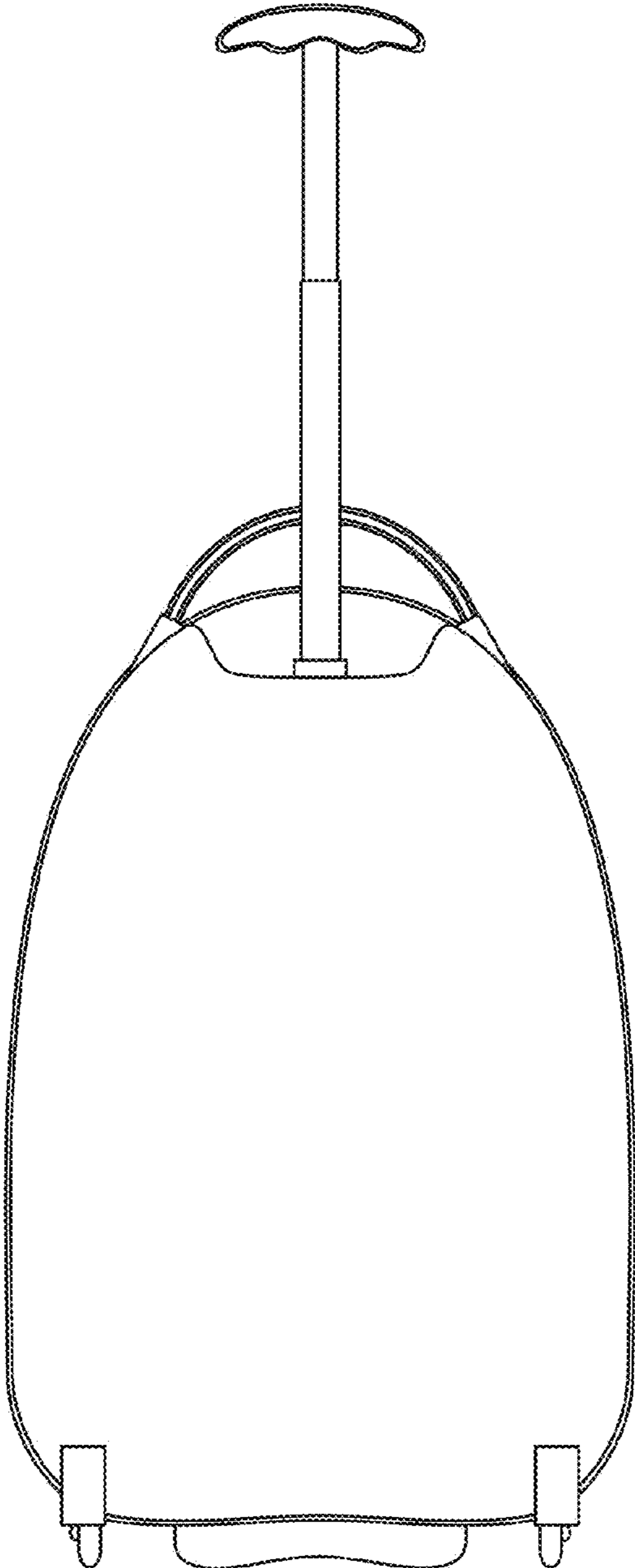


Fig. 3

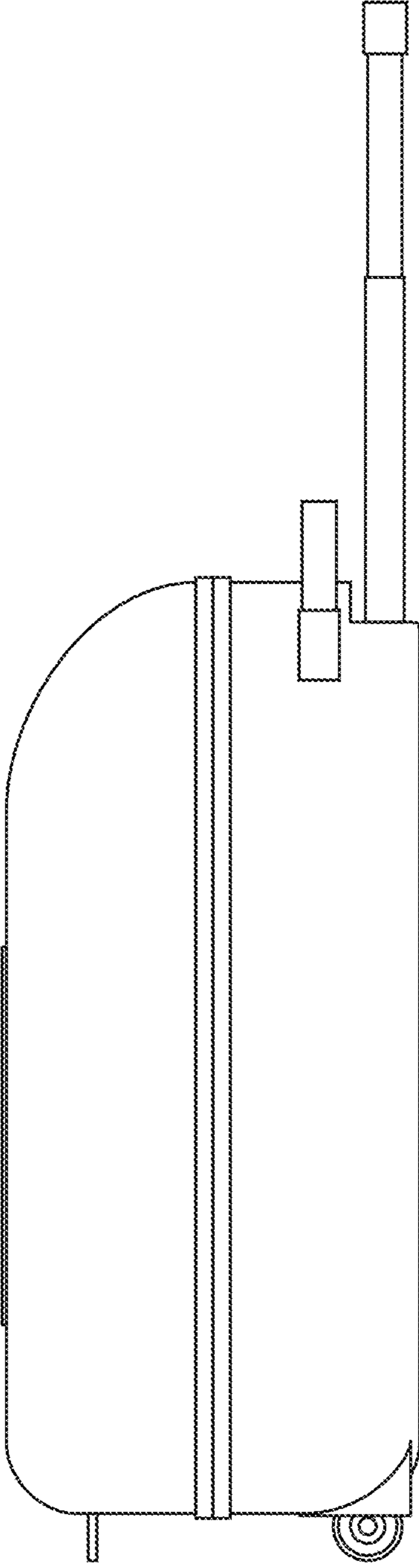


Fig. 4

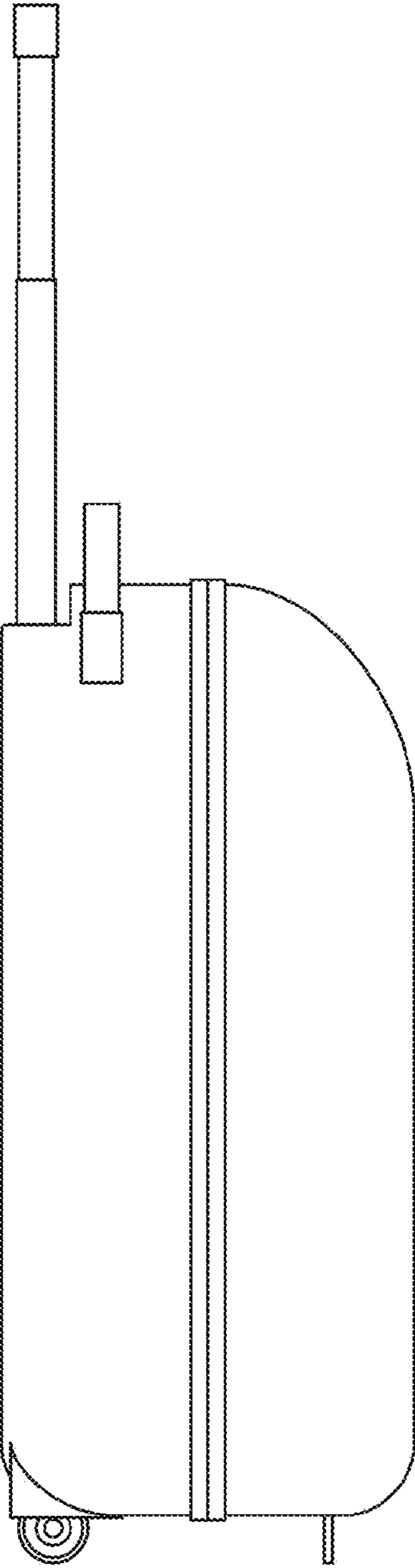


Fig. 5

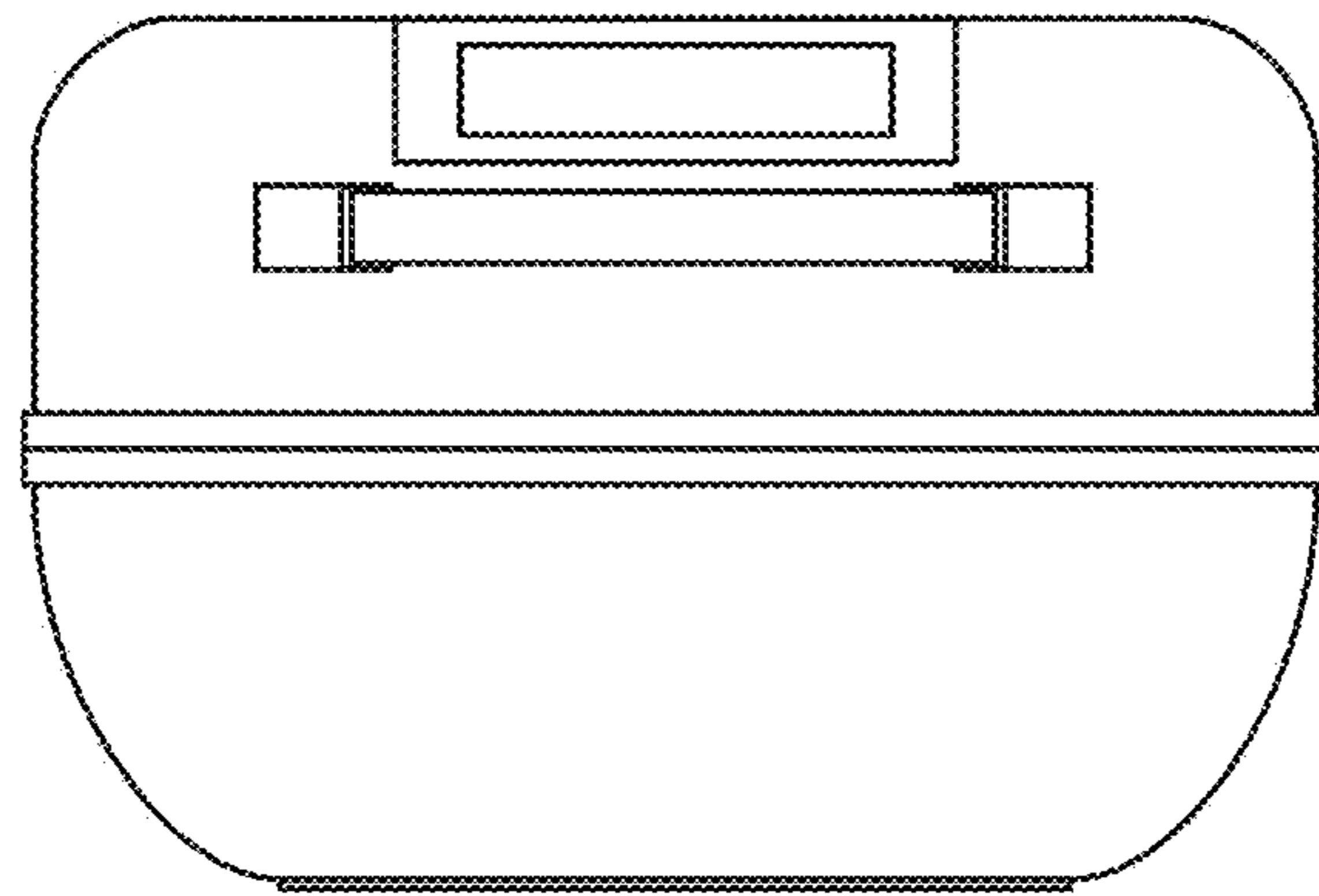


Fig. 6