



US00D721229S

(12) **United States Design Patent**
Dietrich

(10) **Patent No.:** **US D721,229 S**
(45) **Date of Patent:** **** Jan. 20, 2015**

(54) **WALLET**

FOREIGN PATENT DOCUMENTS

(71) Applicants: **Thomas Wingerter**, Hamburg (DE);
Katrin Mengel, Hamburg (DE)

DE 20210574 * 7/2002 A45C 1/10

* cited by examiner

(72) Inventor: **Emmanuel Dietrich**, Zug (CH)

Primary Examiner — Cathron Brooks

(73) Assignees: **Thomas Wingerter**, Hamburg (DE);
Katrin Mengel, Hamburg (DE)

Assistant Examiner — Ethiene Salgado-Rodriguez

(74) *Attorney, Agent, or Firm* — Vidas, Arrett & Steinkraus

(**) Term: **14 Years**

(57) **CLAIM**

The ornamental design for a wallet, as shown and described.

(21) Appl. No.: **29/465,346**

(22) Filed: **Aug. 27, 2013**

DESCRIPTION

(30) **Foreign Application Priority Data**

Feb. 28, 2013 (EM) 002193136

(51) **LOC (10) Cl.** **03-01**

(52) **U.S. Cl.**
USPC **D3/247**

(58) **Field of Classification Search**

CPC ... B65D 5/66; B65D 77/003; B65D 2231/005
USPC 206/1.5, 215, 235, 265, 278, 555;
D3/247, 249, 250, 251, 252, 253, 273,
D3/294

See application file for complete search history.

FIG. 1 is a top plan view of a wallet showing our new design.

FIG. 2 is a front elevational view thereof.

FIG. 3 is a left side elevational view thereof.

FIG. 4 is a rear elevational view thereof.

FIG. 5 is a right side elevational view thereof.

FIG. 6 is a bottom plan view thereof.

FIG. 7 is a perspective view of the top, front and right sides thereof.

FIG. 8 is a perspective view of the inside of the wallet, showing a partition panel pivoted in the up position.

FIG. 9 is a perspective view of the inside of the wallet, showing the partition panel pivoted in the down position.

FIG. 10 is a perspective view of the inside of wallet, showing the top portion of the partition panel flipped open.

FIG. 11 is a perspective view of the inside of the wallet, show in the fully open position.

FIG. 12 is a perspective view of the inside of the wallet, shown with the top portion of the partition panel partially open; and, FIG. 13 is a perspective view of the inside of the wallet, shown with the partition panel partially in the up position.

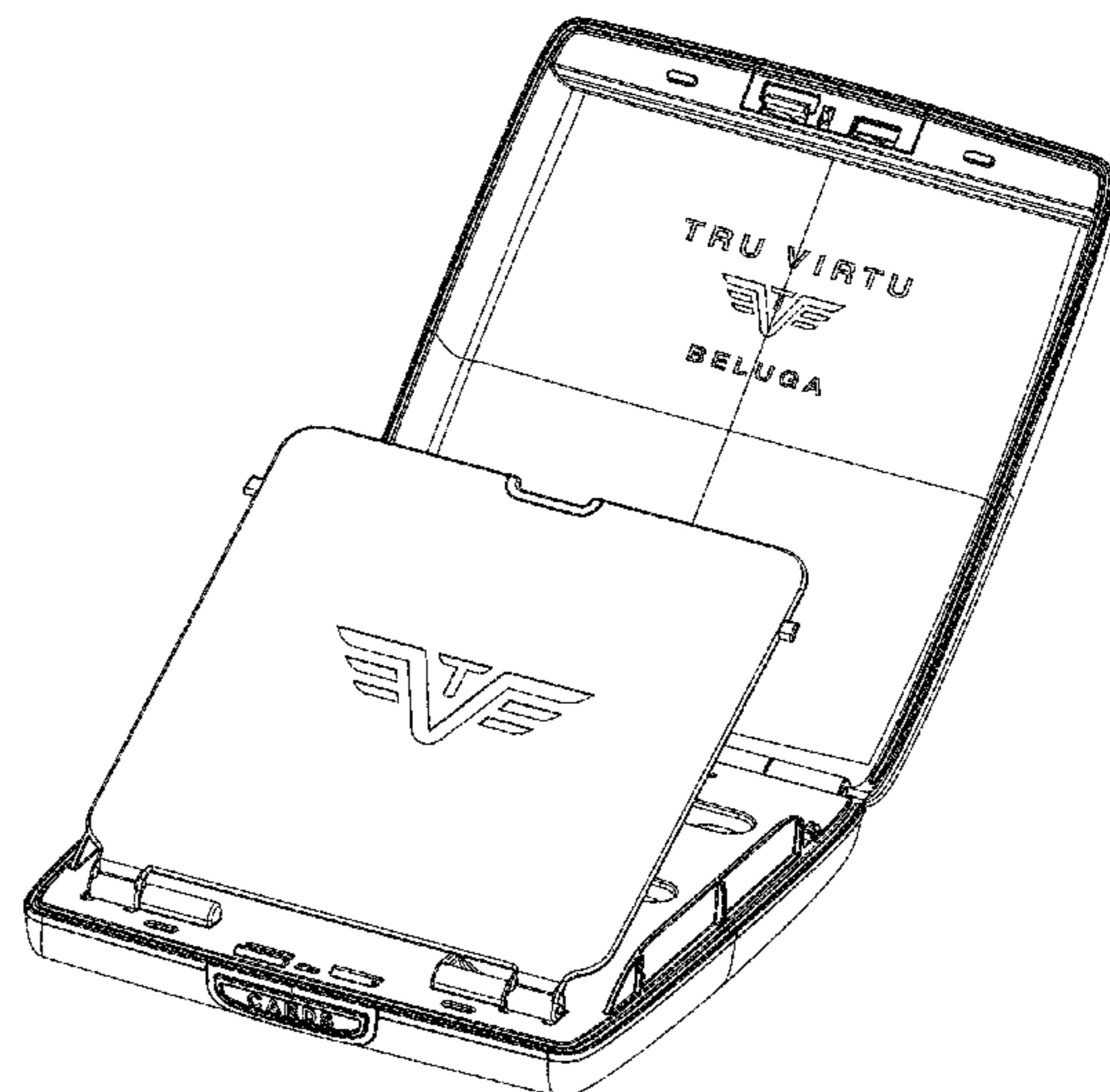
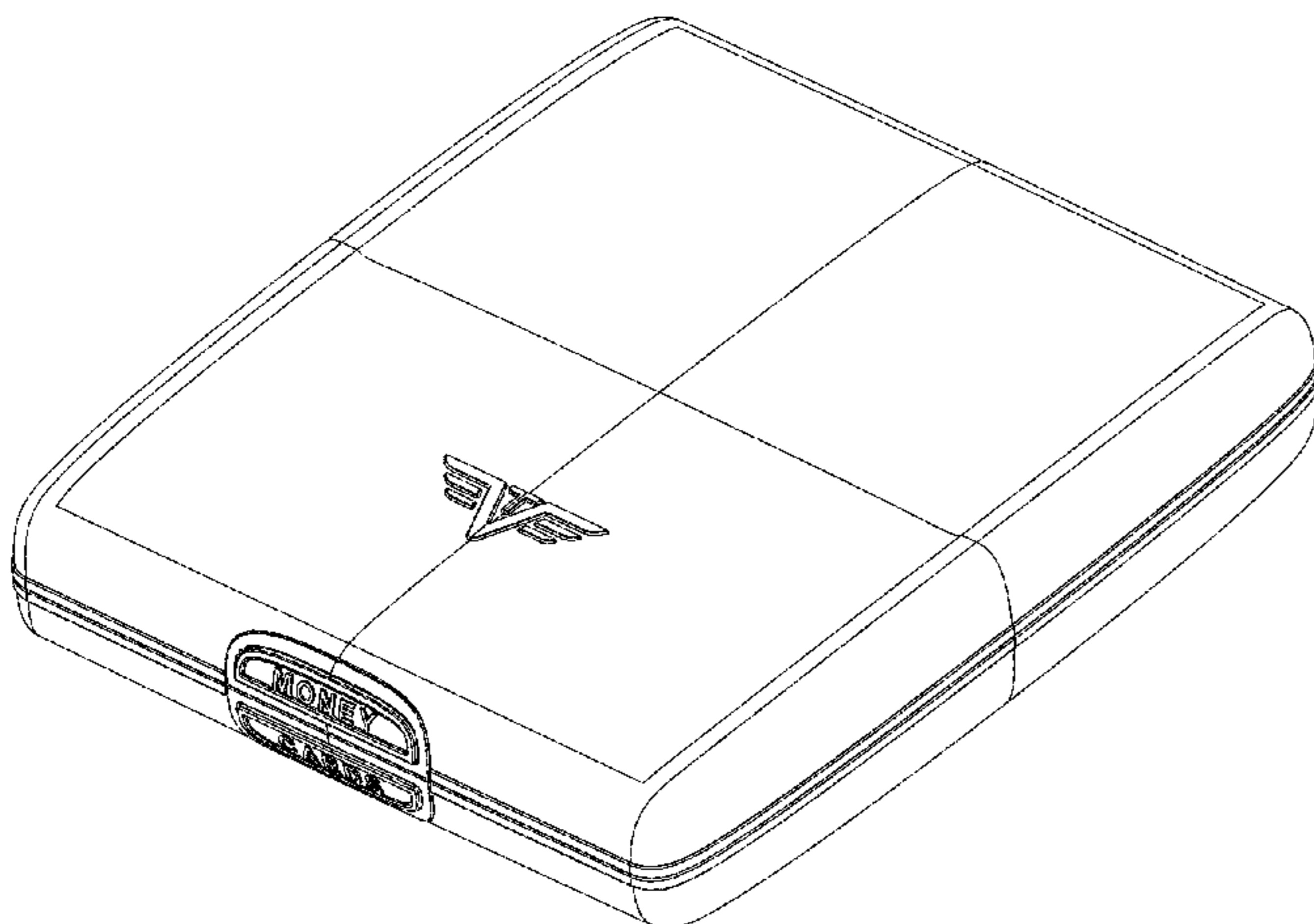
The symbol and word "TRU VIRTU" forming part of the claimed design is a registered trademark of Thomas Wingerter and Katrin Mengel of GERMANY Schluterstr, 22 20146 Hamburg.

(56) **References Cited**

U.S. PATENT DOCUMENTS

D283,950 S *	5/1986	Markowitz	D3/247
D291,558 S *	8/1987	Fonville	D3/294
5,022,516 A *	6/1991	Urban et al.	206/753
6,385,897 B1 *	5/2002	Klabunde	43/54.1
D473,376 S *	4/2003	Abate	D3/294
7,168,204 B2 *	1/2007	Wieringa et al.	43/57.1
D621,607 S *	8/2010	Beauvais	D3/215
D635,360 S *	4/2011	Dietrich	D3/247
D685,577 S *	7/2013	Dietrich	D3/294
D696,863 S *	1/2014	Moore	D3/247
D697,715 S *	1/2014	Dietrich	D3/247

1 Claim, 13 Drawing Sheets



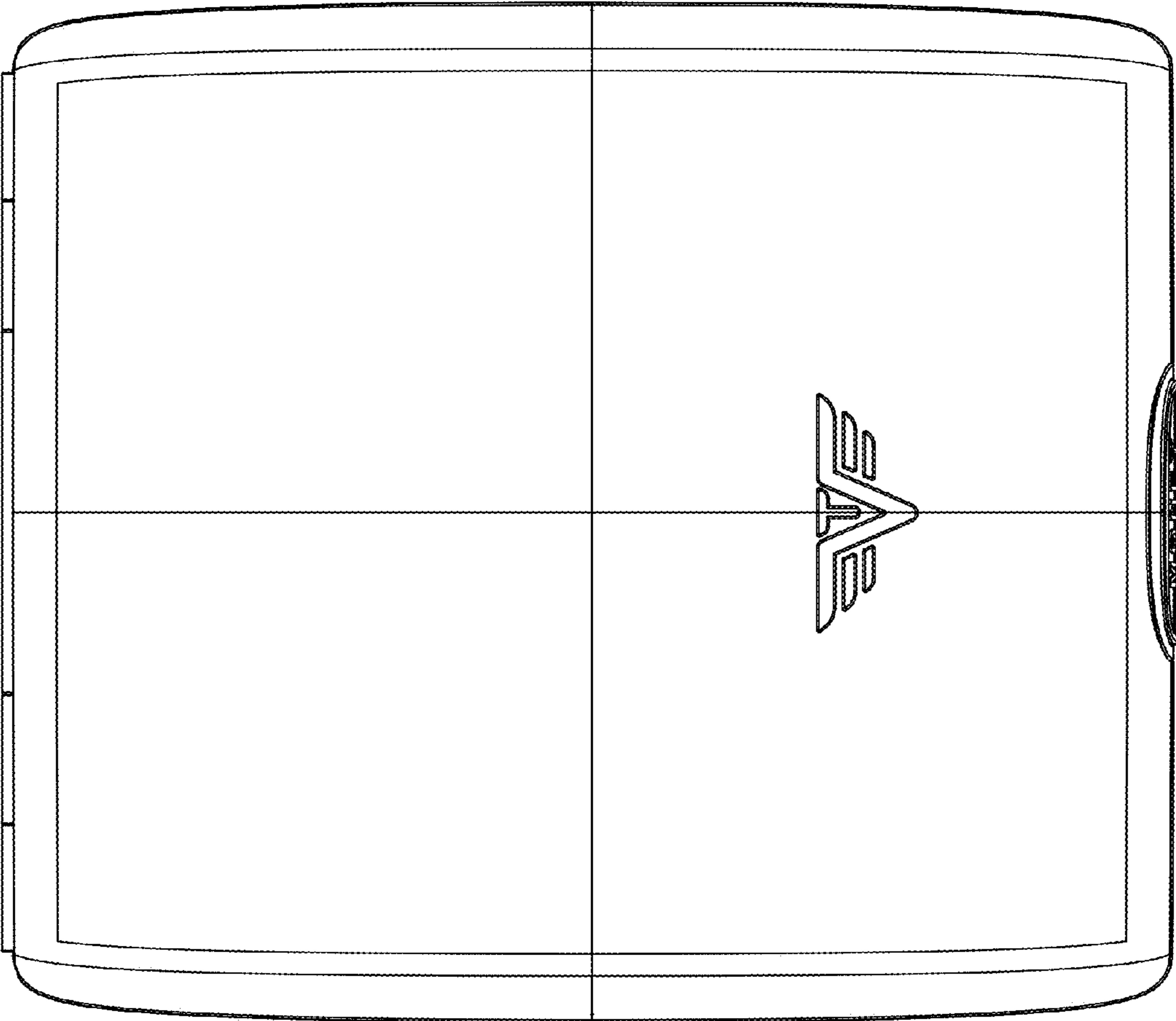


FIG. 1

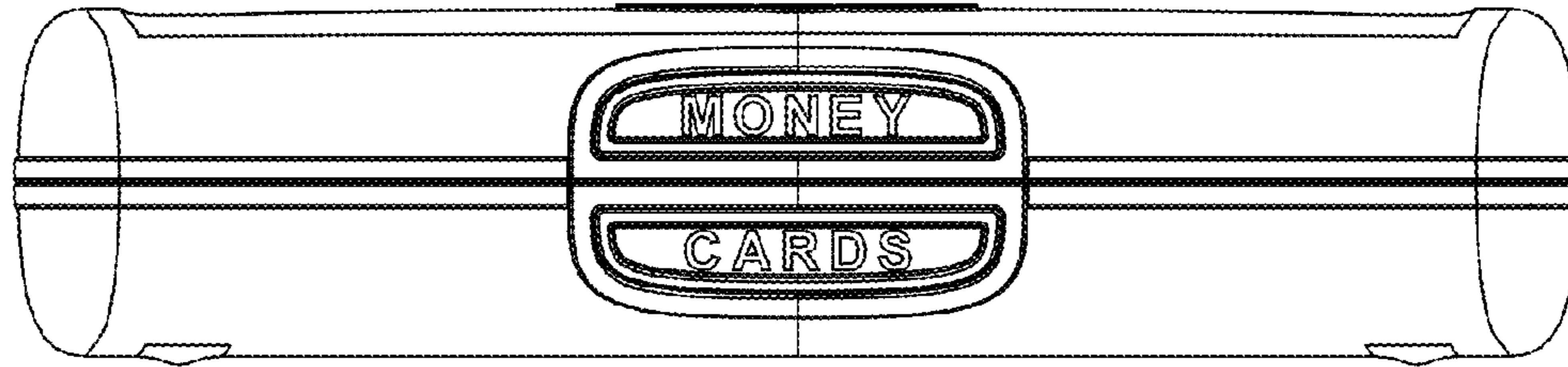


FIG. 2

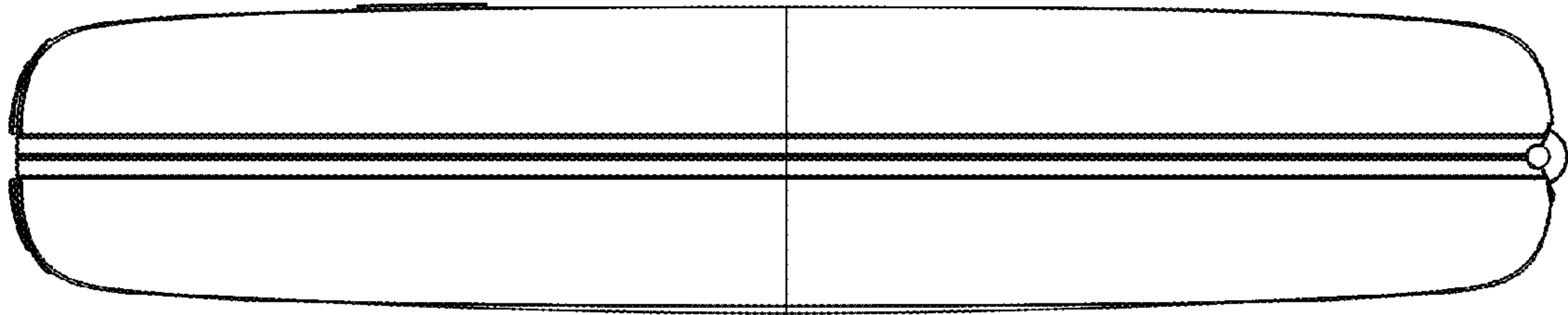


FIG. 3

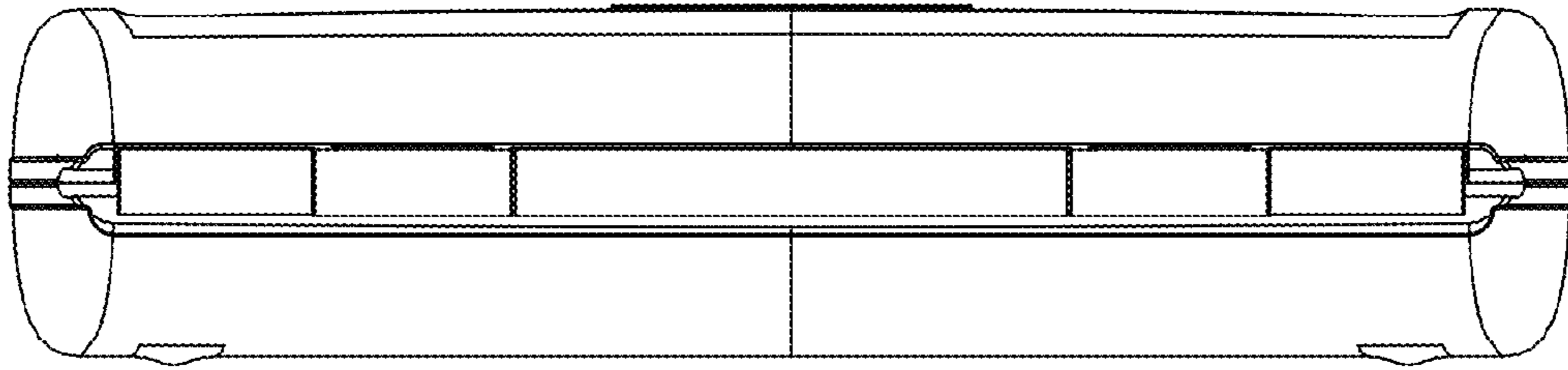


FIG. 4

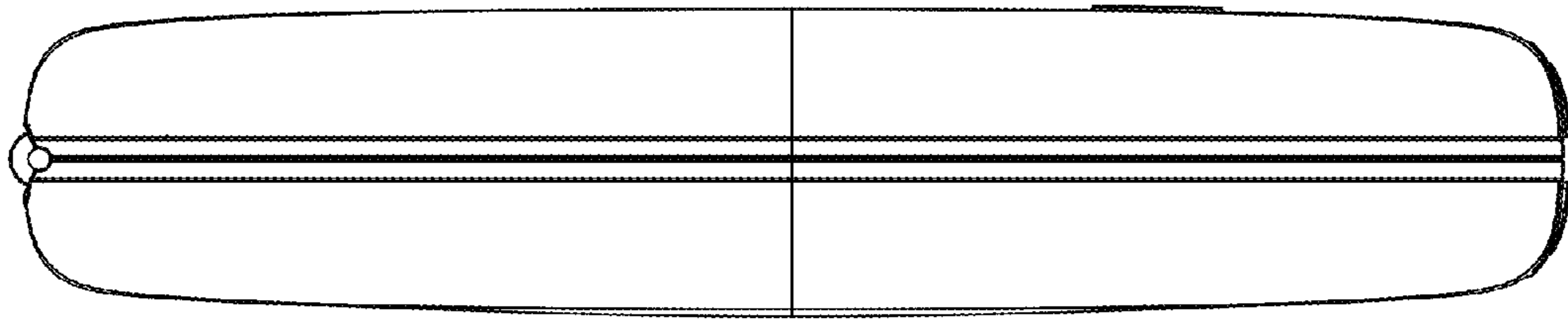


FIG. 5

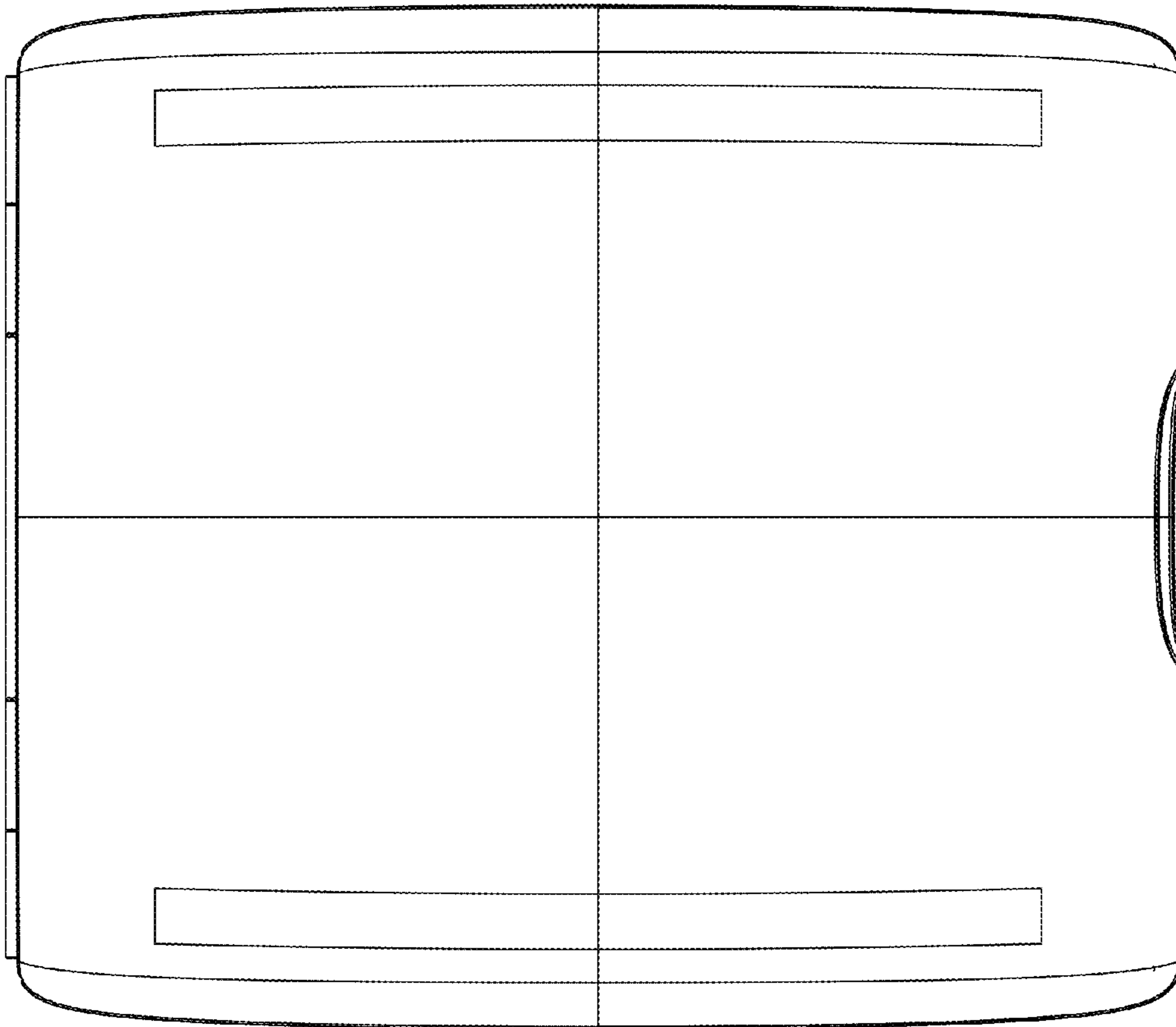


FIG. 6

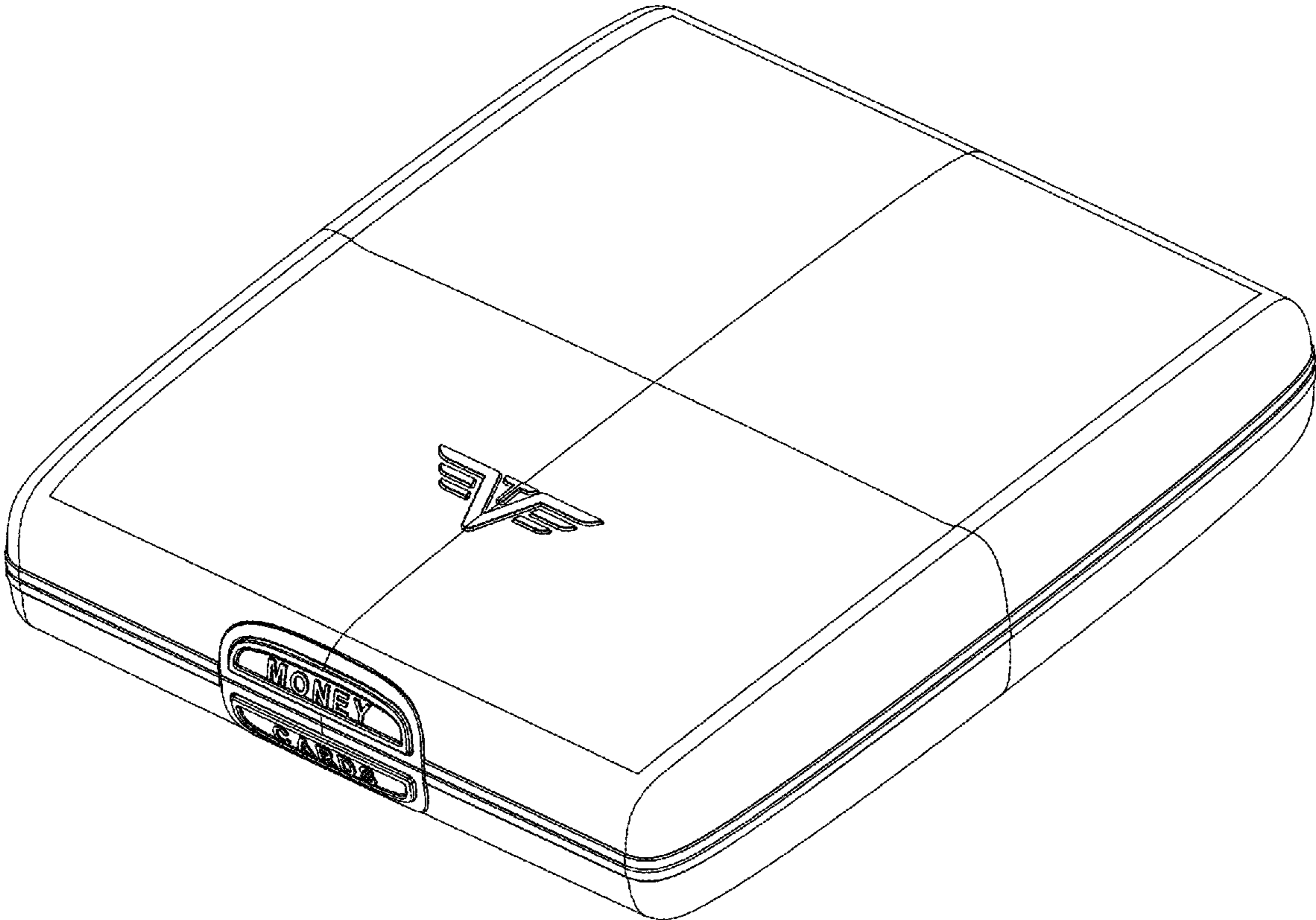


FIG. 7

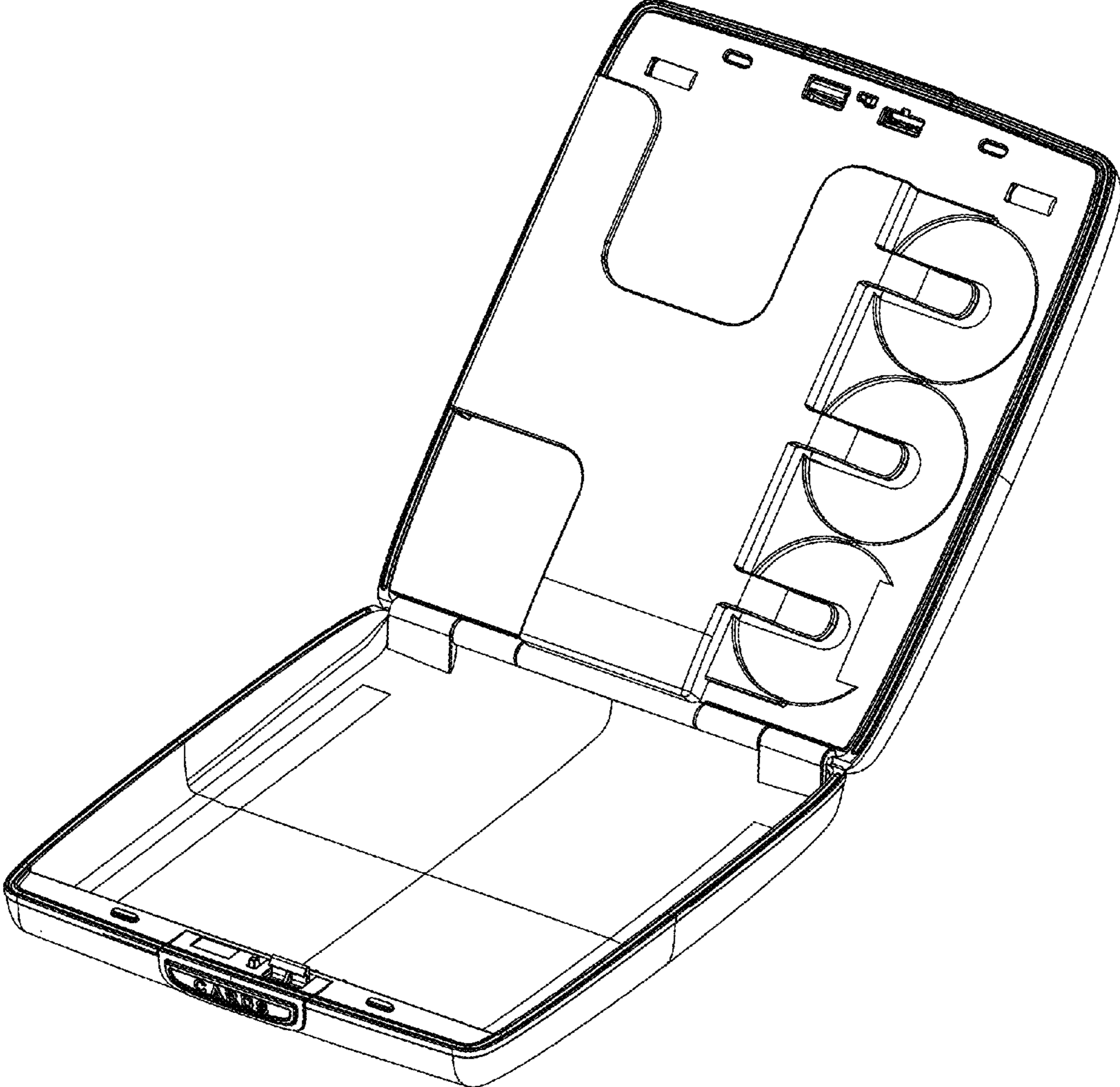


FIG. 8



FIG. 9

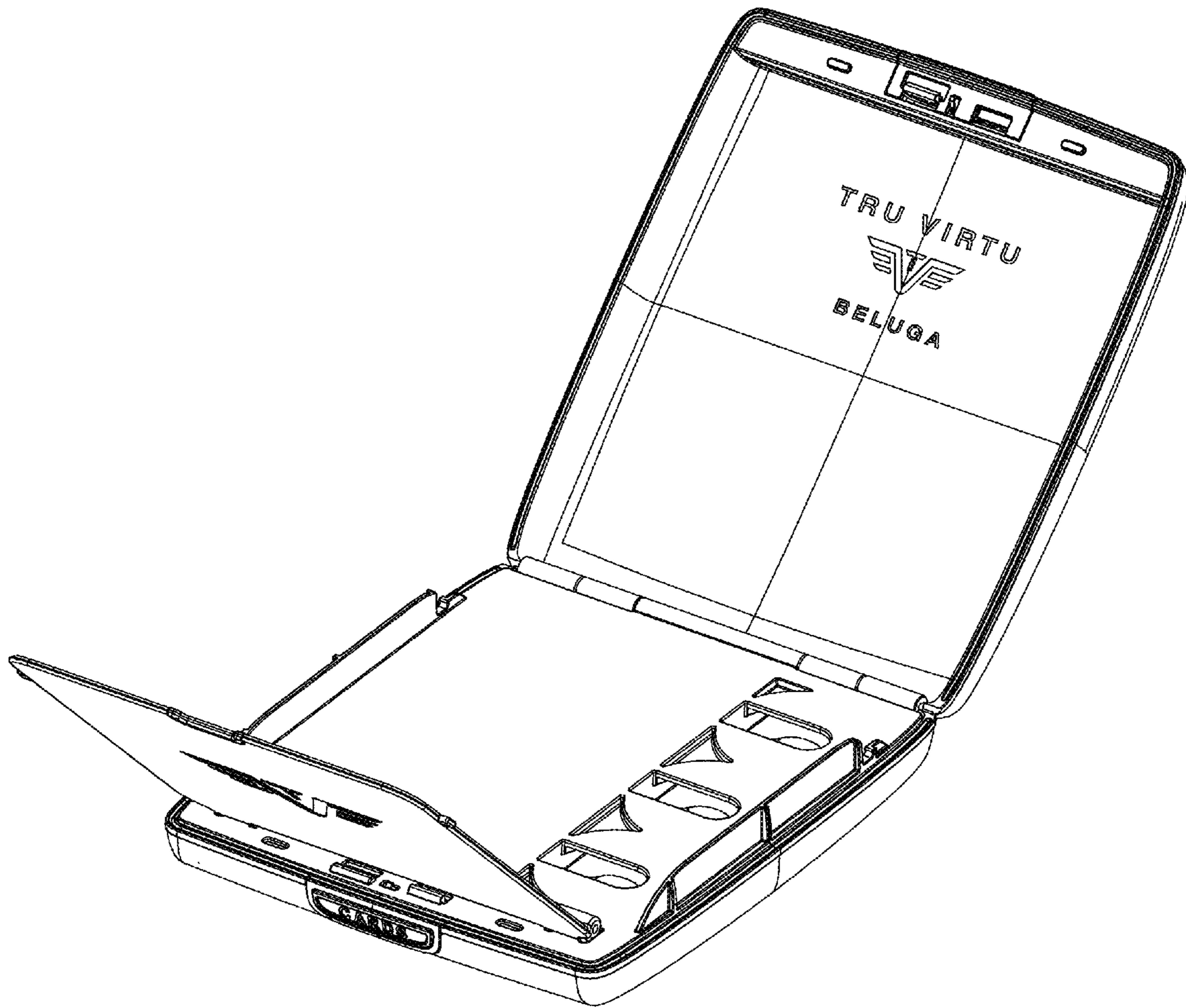


FIG. 10

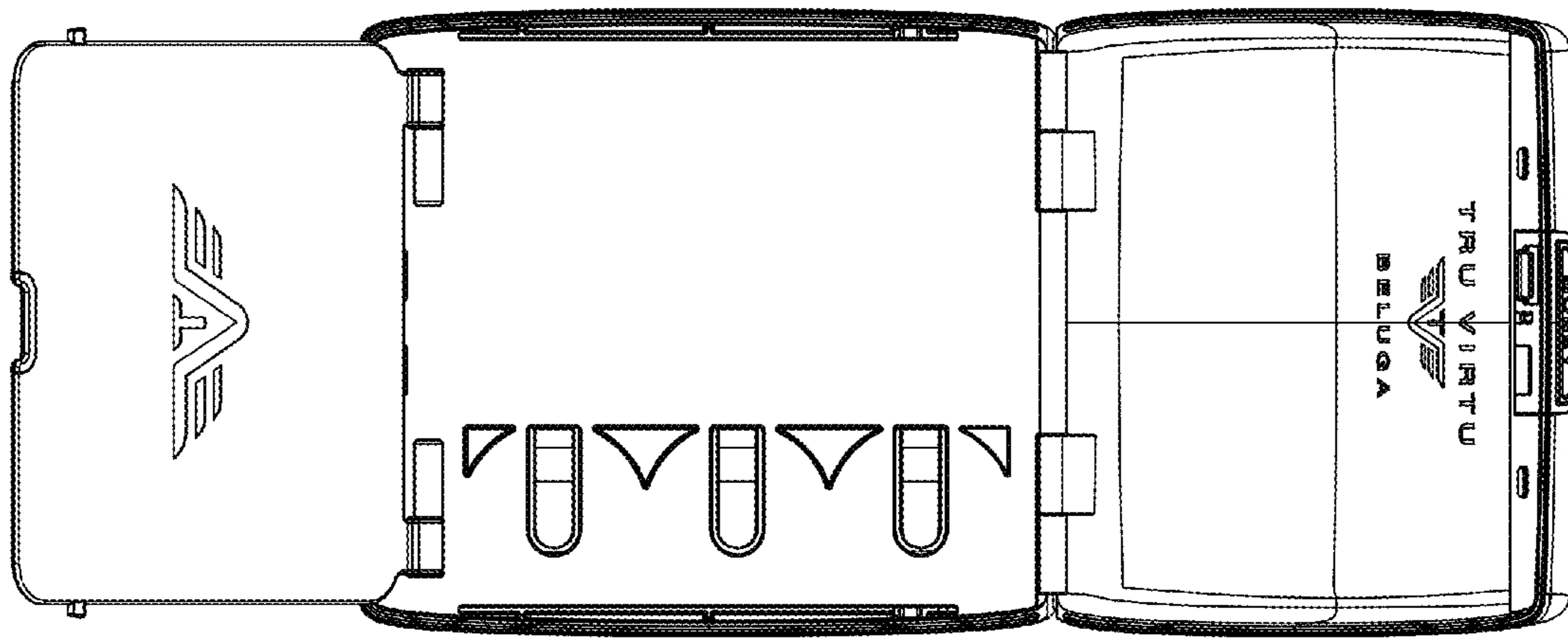


FIG. 11

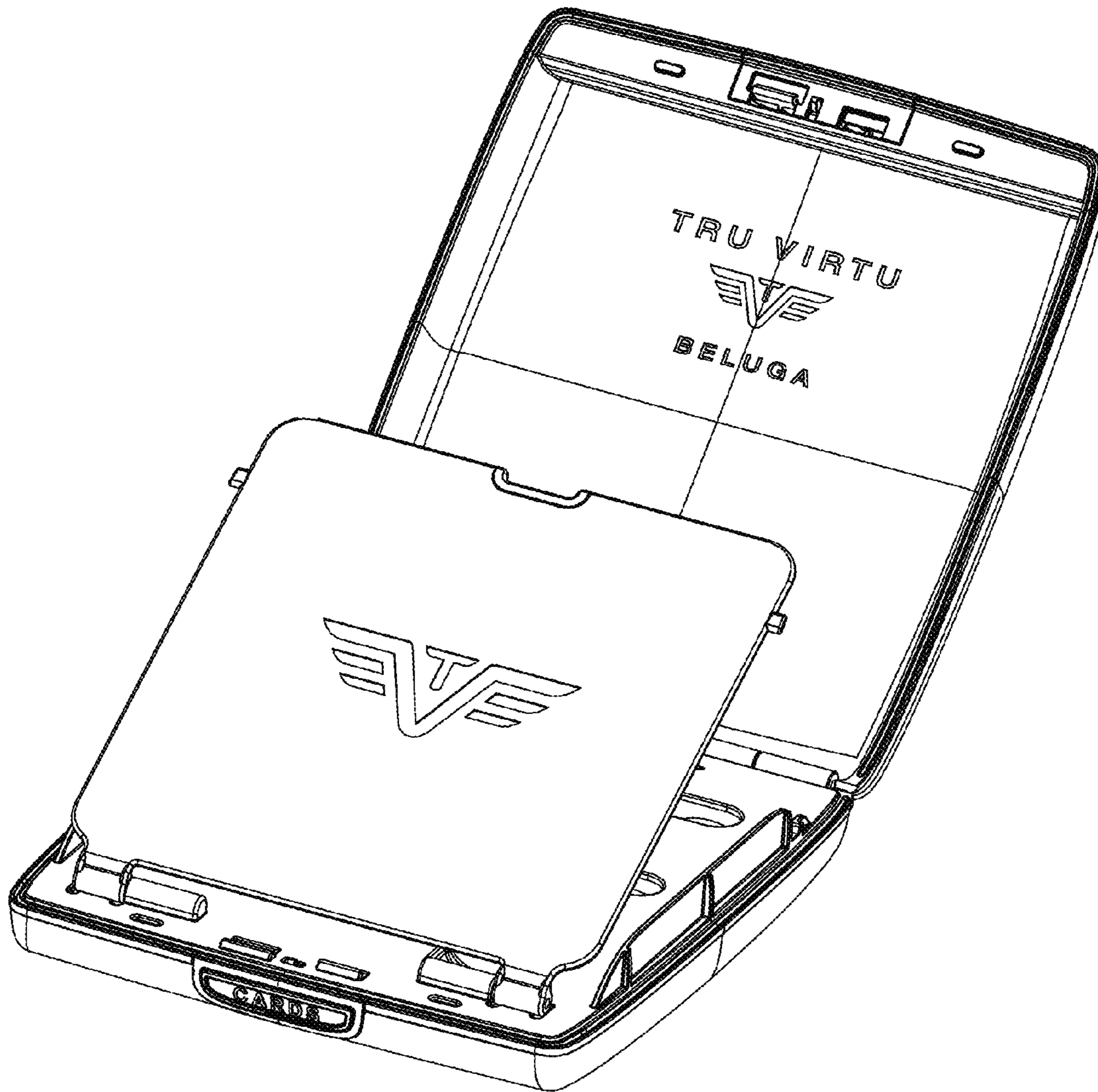


FIG. 12

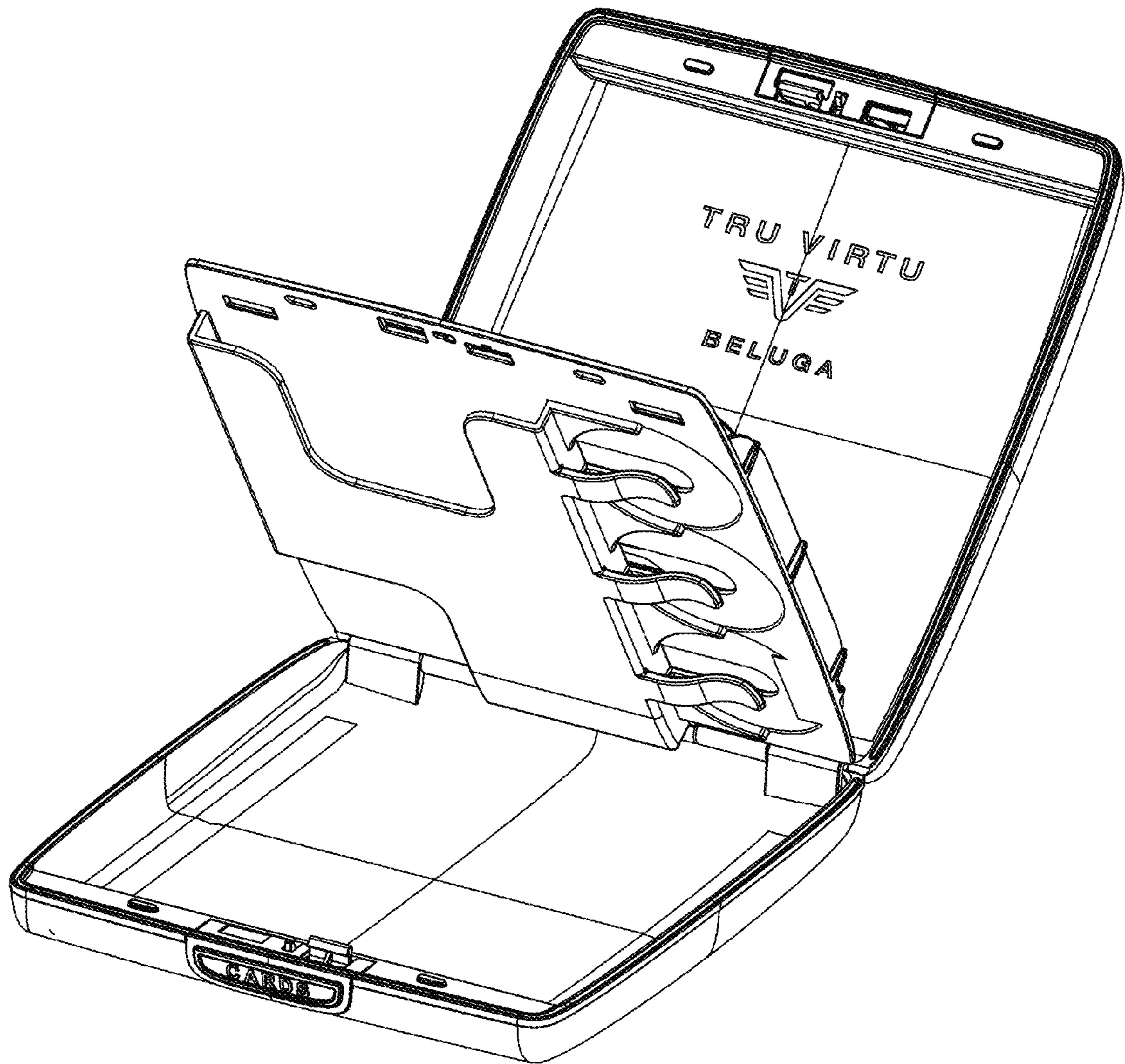


FIG. 13