



US00D721227S

(12) **United States Design Patent**
Milligan

(10) **Patent No.:** **US D721,227 S**

(45) **Date of Patent:** **** Jan. 20, 2015**

(54) **SURF POUCH**

D553,853 S * 10/2007 Willows et al. D3/226
D615,753 S * 5/2010 Pomerantz D3/221
D618,907 S * 7/2010 Overton D3/226

(71) Applicant: **Wallaby Surf, LLC**, San Clemente, CA
(US)

* cited by examiner

(72) Inventor: **David Milligan**, San Clemente, CA (US)

Primary Examiner — Catheri Oliver-Garcia

(73) Assignee: **Wallaby Surf, LLC**, San Clemente, CA
(US)

(74) *Attorney, Agent, or Firm* — Knobbe, Martens, Olson &
Bear, LLP

(**) Term: **14 Years**

(57) **CLAIM**

The ornamental design for a surf pouch, as shown and
described herein.

(21) Appl. No.: **29/470,848**

DESCRIPTION

(22) Filed: **Oct. 25, 2013**

(51) **LOC (10) Cl.** **03-01**

(52) **U.S. Cl.**
USPC **D3/221**

(58) **Field of Classification Search**
USPC D3/221, 224, 226, 232–248, 215;
D2/624–631; 224/240–241, 236, 245,
224/581, 583, 674, 677, 660, 901, 904
See application file for complete search history.

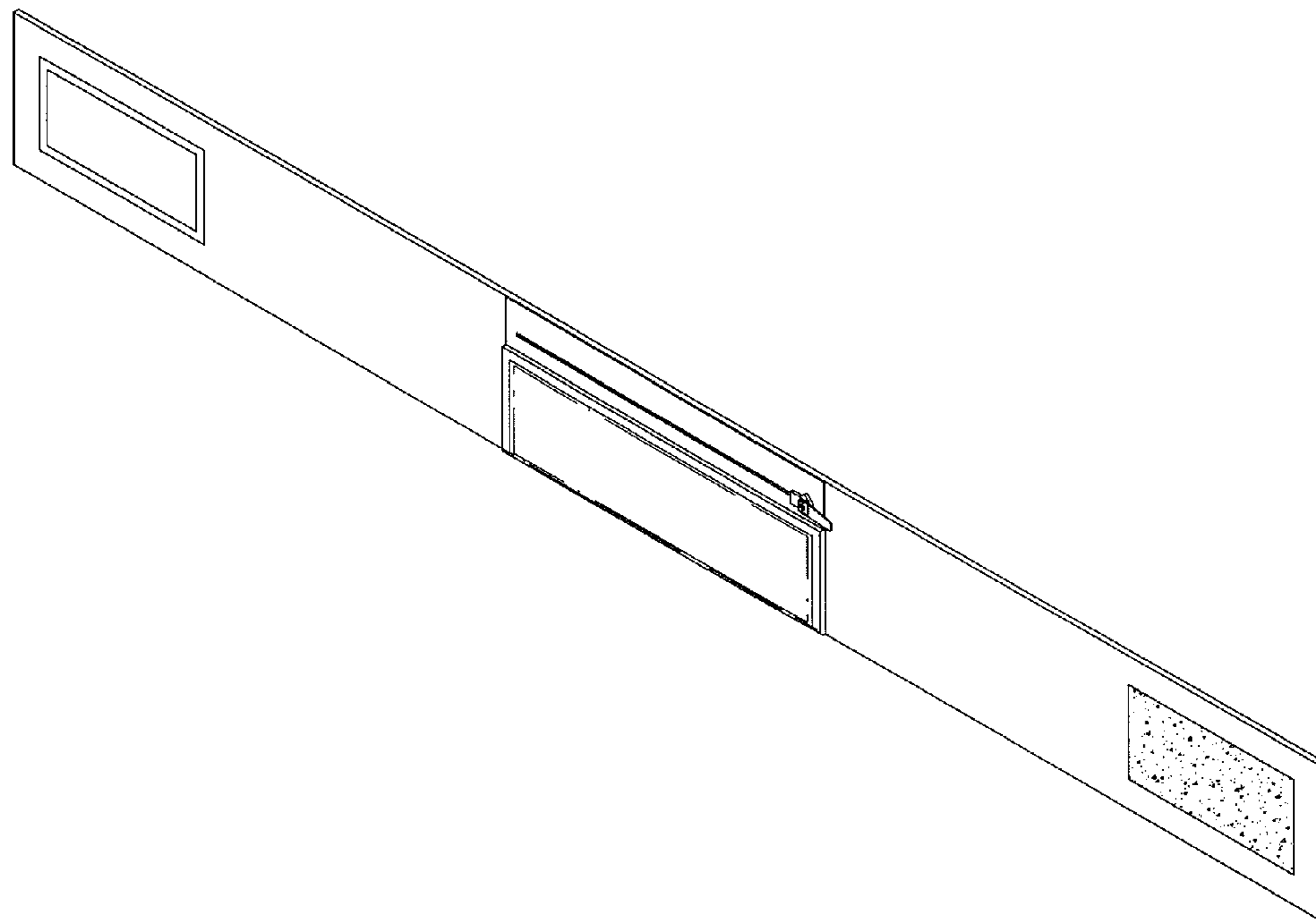
FIG. 1 is a perspective view of the surf pouch.
FIG. 2 is a front view of the surf pouch.
FIG. 3 is a rear view of the surf pouch.
FIG. 4 is a left side view of the surf pouch.
FIG. 5 is a right side view of the surf pouch.
FIG. 6 is a top view of the surf pouch.
FIG. 7 is a bottom view of the surf pouch.
FIG. 8 is a front perspective view of the surf pouch being used
by a user; and,
FIG. 9 is a rear perspective view of the surf pouch being used
by a user.
The broken line showing of environment in FIGS. 8 and 9 is
included for the purpose of illustrating only and forms no part
of the claimed design.

(56) **References Cited**

U.S. PATENT DOCUMENTS

4,569,465 A 2/1986 O'Farrell
5,096,103 A * 3/1992 Baugh 224/585
D397,838 S * 9/1998 Waggoner et al. D2/629

1 Claim, 6 Drawing Sheets



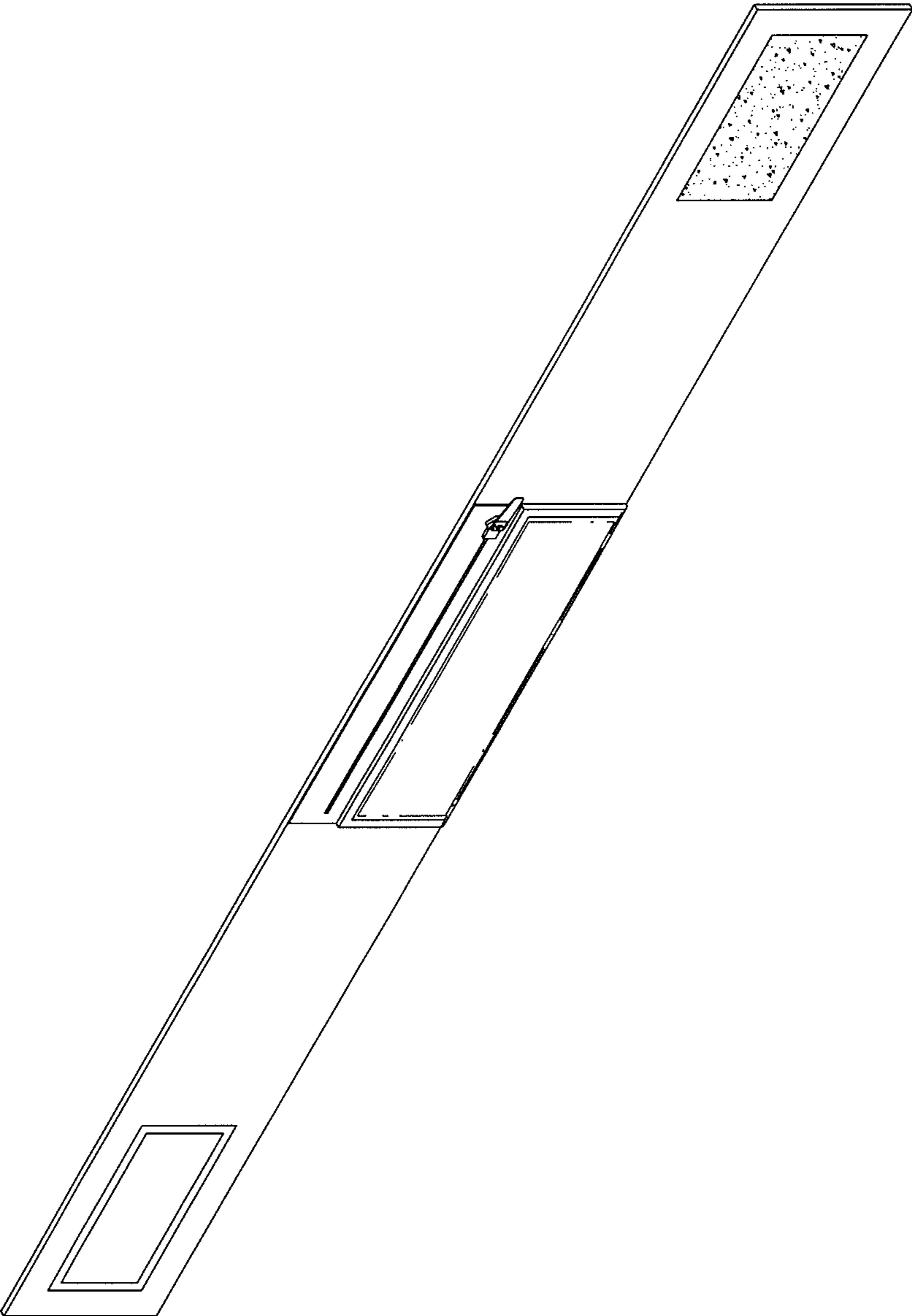


FIG. 1

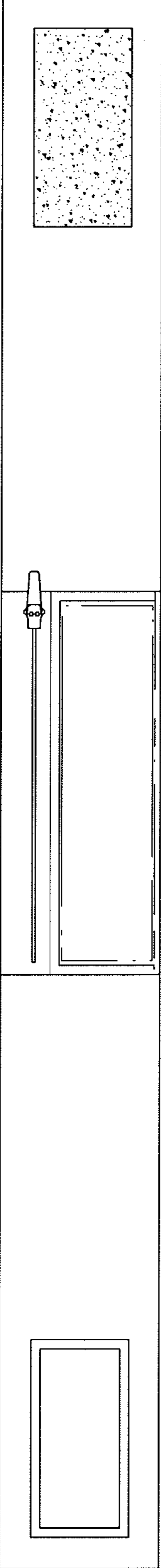


FIG. 2

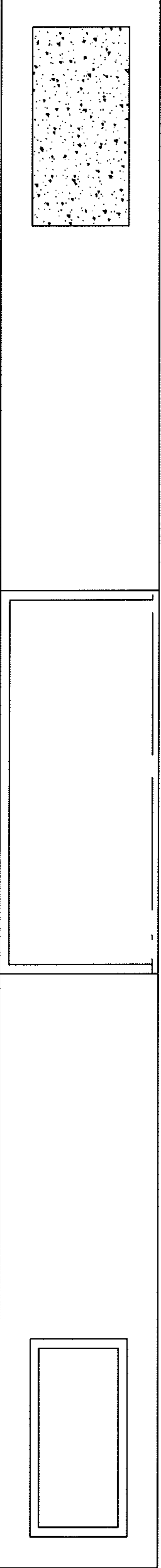


FIG. 3

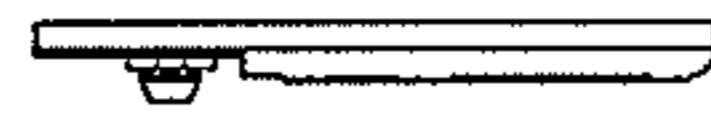


FIG. 5

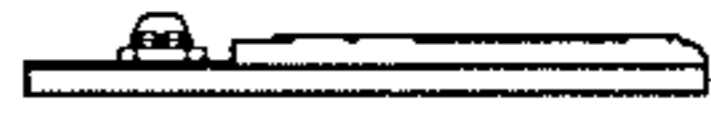


FIG. 4



FIG. 6



FIG. 7

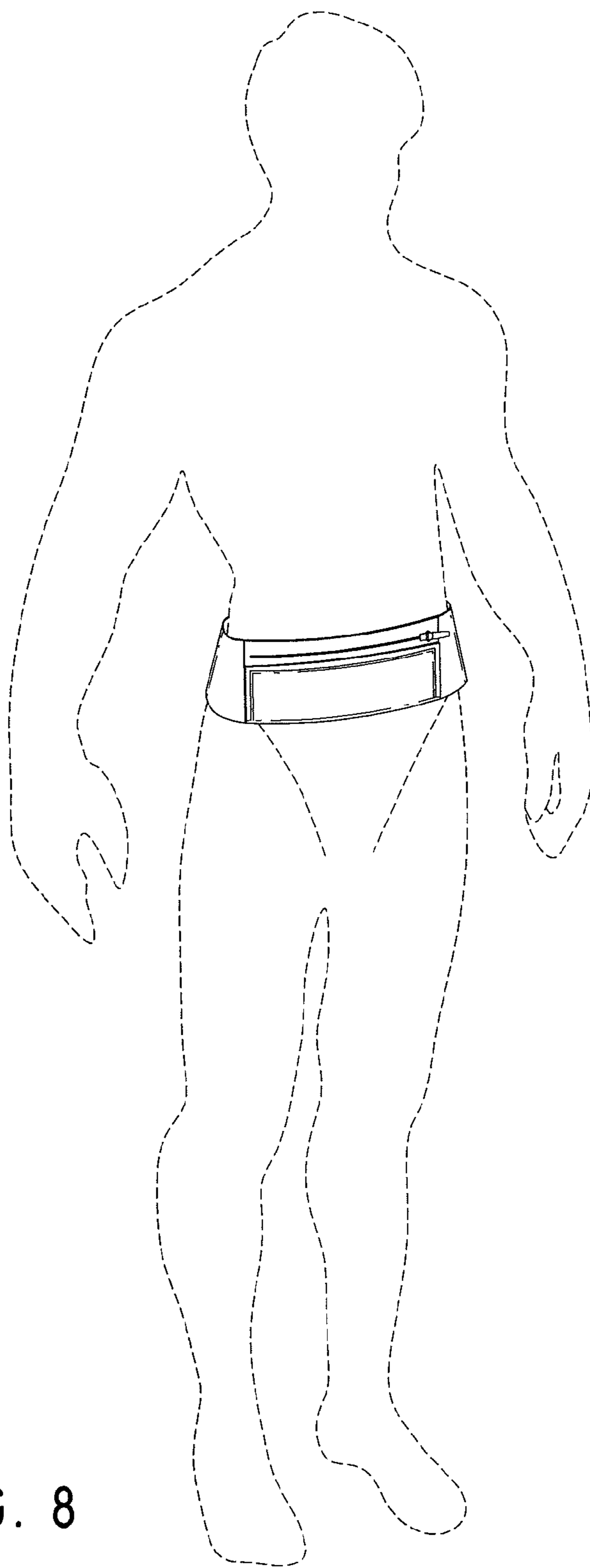


FIG. 8

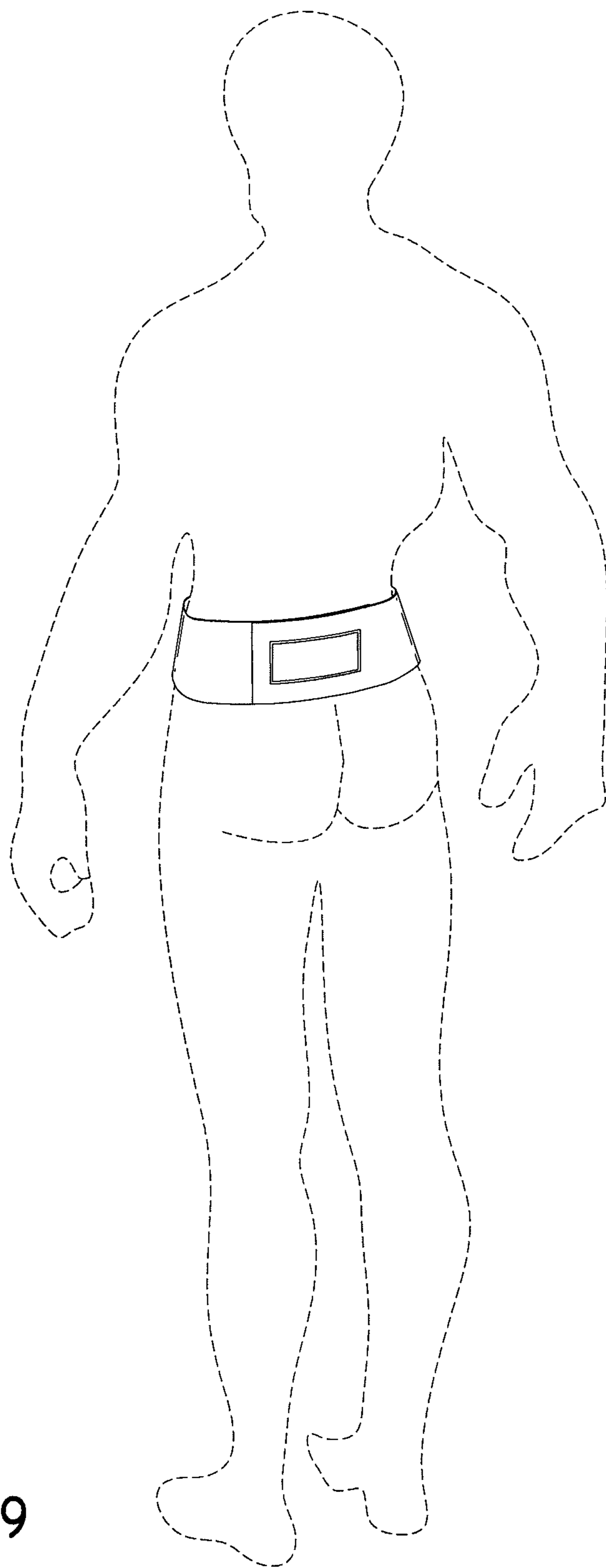


FIG. 9