



US00D721219S

(12) **United States Design Patent**
Rogers et al.

(10) **Patent No.:** **US D721,219 S**
(45) **Date of Patent:** **** Jan. 20, 2015**

- (54) **ROOT VEGETABLE PRODUCT**
- (71) Applicant: **McCain Foods Limited**,
Florenceville-Bristol (CA)
- (72) Inventors: **David M. Rogers**, Woodstock (CA);
John Aikens, New Maryland (CA)
- (73) Assignee: **McCain Foods Limited**,
Florenceville-Bristol (CA)
- (**) Term: **14 Years**
- (21) Appl. No.: **29/456,296**
- (22) Filed: **May 30, 2013**
- (51) **LOC (10) Cl.** **01-01**
- (52) **U.S. Cl.**
USPC **D1/199**
- (58) **Field of Classification Search**
CPC A21D 13/0029; A21D 13/0074; A21D
13/0022; A21D 13/0006; A23L 1/1641;
A23L 1/005
USPC D1/100–130, 199; D7/504, 509, 510,
D7/523, 524, 555, 566, 568, 584–587, 602,
D7/672, 300.1; D21/386, 672, 803, 821;
D19/91; 426/92, 94, 95, 99, 101,
426/138–139, 143, 279, 282, 283, 391,
426/514; D11/146, 151, 154, 78, 131, 141,
D11/152; D14/480.5, 484.1; D25/119, 121,
D25/126; D30/160; 220/566; D34/28, 29
See application file for complete search history.

(56) **References Cited**

U.S. PATENT DOCUMENTS

D49,915	S	*	11/1916	Adelmann	D7/672
1,523,870	A	*	1/1925	Forte	426/76
2,243,137	A	*	5/1941	Vaughan	99/381
D149,511	S	*	5/1948	Mitzel	D1/102
2,798,784	A	*	7/1957	Marshall	312/199

D297,580	S	*	9/1988	Hoashi	D1/130
5,499,578	A	*	3/1996	Payne	99/537
D514,276	S	*	2/2006	Cumpton et al.	D1/121
D519,711	S	*	5/2006	Dreano	D1/121
D535,390	S	*	1/2007	Stawski et al.	D24/101
D586,397	S	*	2/2009	Farnworth et al.	D19/53
D601,690	S	*	10/2009	Hodges	D24/102
D613,031	S	*	4/2010	Pawlowski et al.	D1/130

OTHER PUBLICATIONS

Hasselback Potato, Oct. 27, 2009. [online.] [retrieved on Sep. 2, 2014]. Retrieved from internet <URL: <http://www.seasaltwithfood.com/2009/10/spiced-mini-hasselback-potatoes.html#comment-form>>.*

Sweet Potato Hasselback, Mar. 21, 2011. [online.] [retrieved on Sep. 2, 2014]. Retrieved from internet <URL: <http://vegetarianirvana.wordpress.com/2011/03/21/sweet-potato-hasselback-with-butter-milk-cheese-dressing/>>.*

* cited by examiner

Primary Examiner — Deanna L Pratt

Assistant Examiner — Katie Mroczka

(74) *Attorney, Agent, or Firm* — Panitch Schwarze Belisario & Nadel LLP

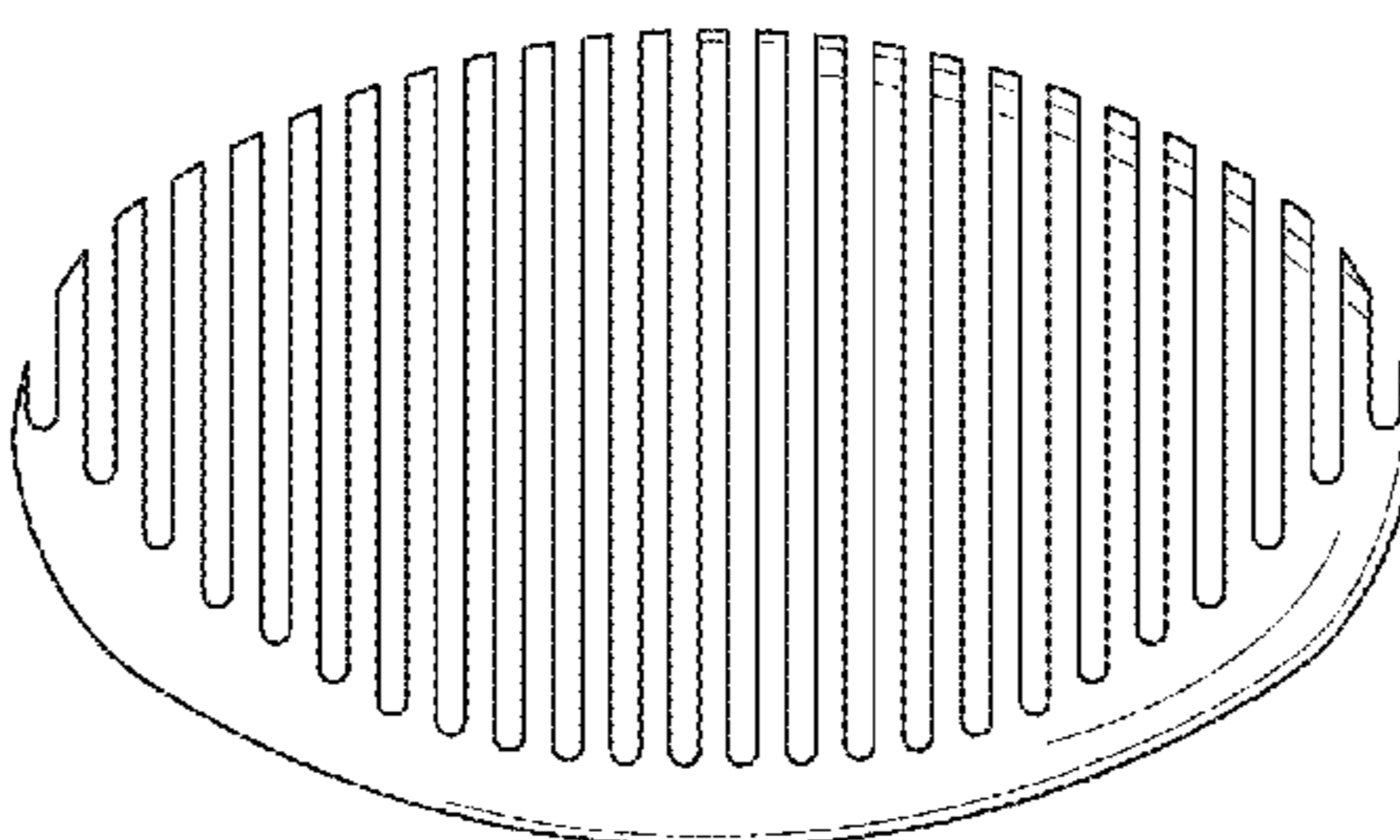
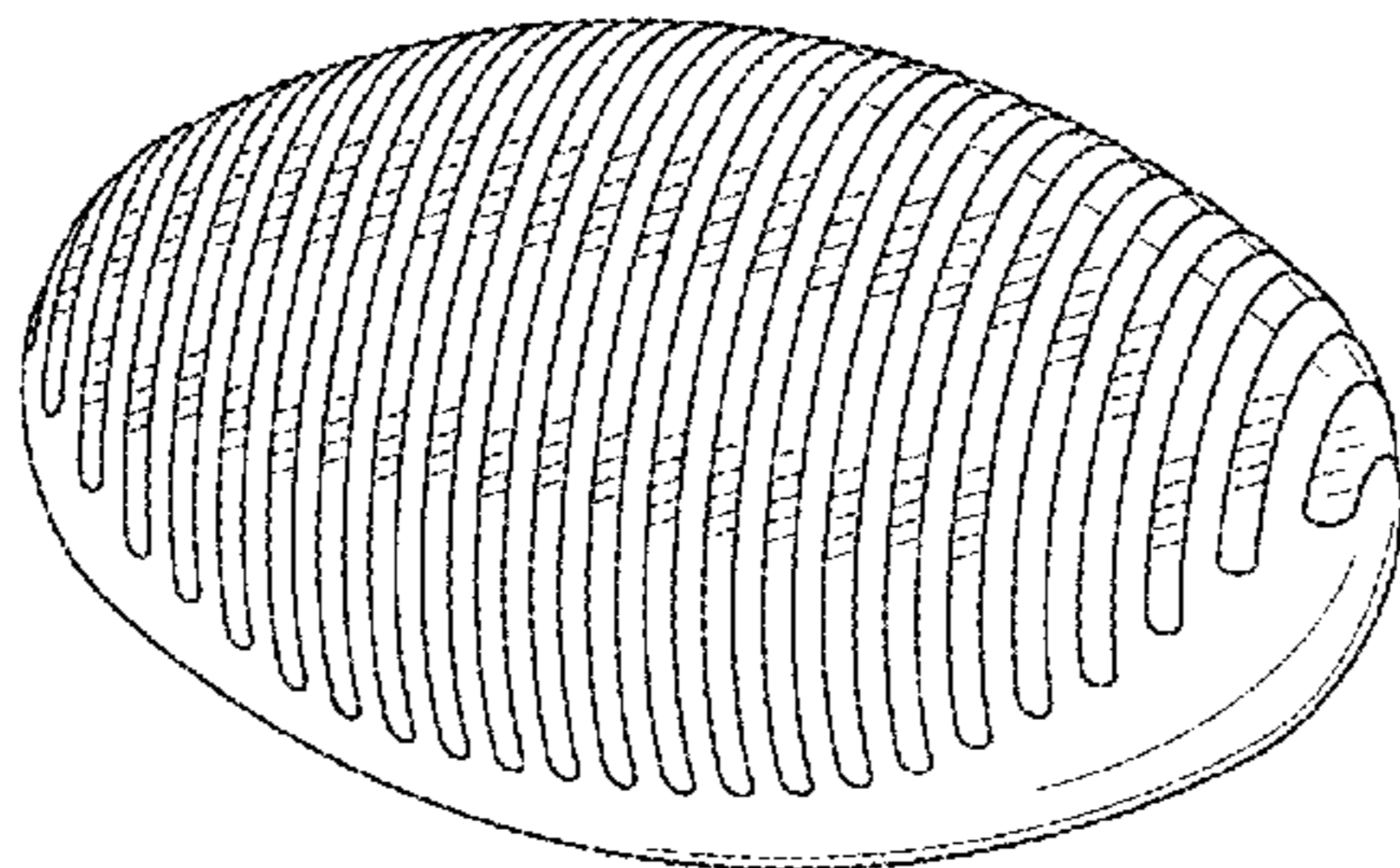
(57) **CLAIM**

The ornamental design for a root vegetable product, as shown and described.

DESCRIPTION

FIG. 1 is a front perspective view of a root vegetable product in accordance with our new design;
FIG. 2 is a left side elevational view thereof;
FIG. 3 is a front elevational view thereof;
FIG. 4 is a right side elevational view thereof;
FIG. 5 is a rear elevational view thereof;
FIG. 6 is a top plan view thereof; and,
FIG. 7 is a bottom plan view thereof.

1 Claim, 2 Drawing Sheets



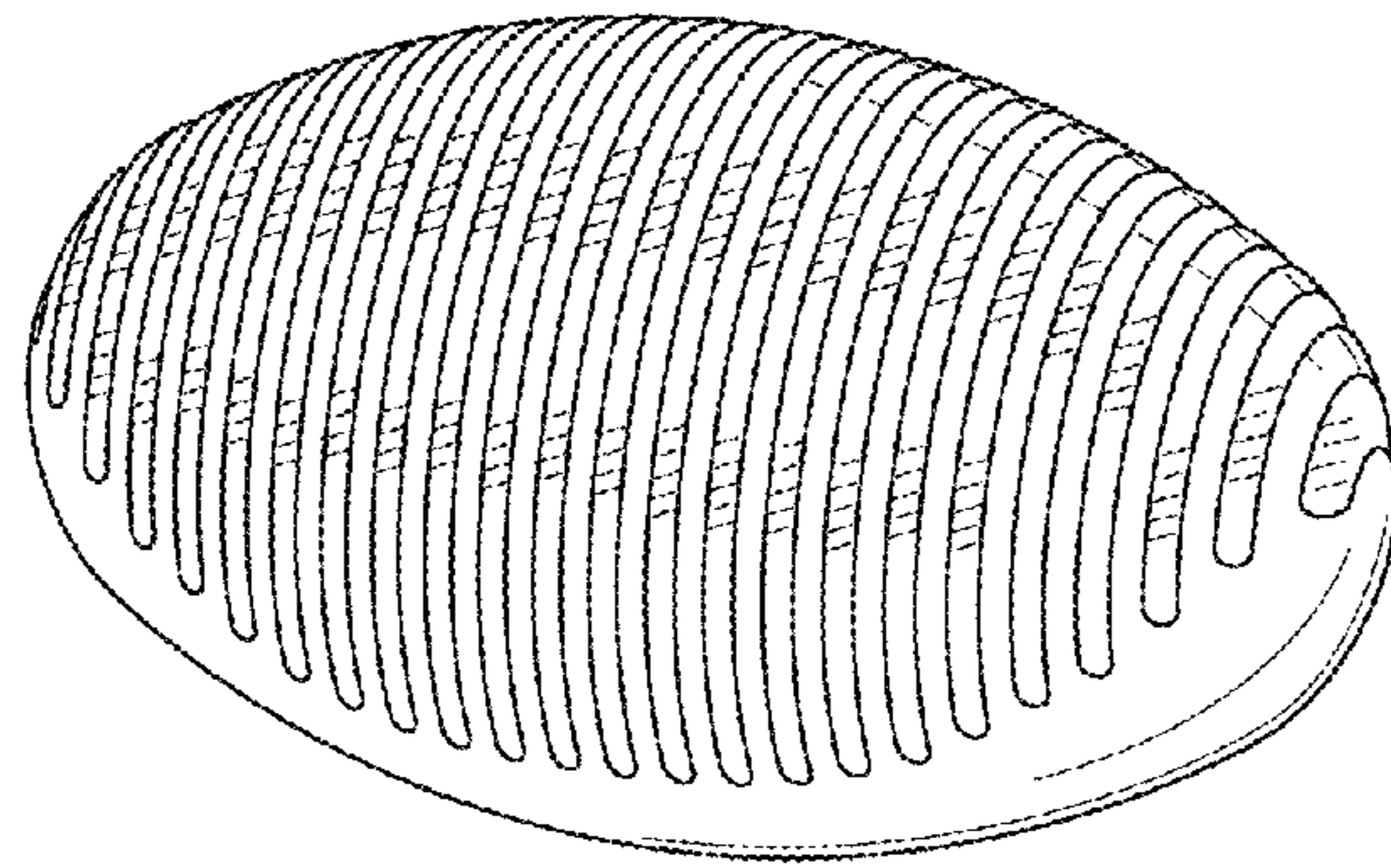


FIG. 1

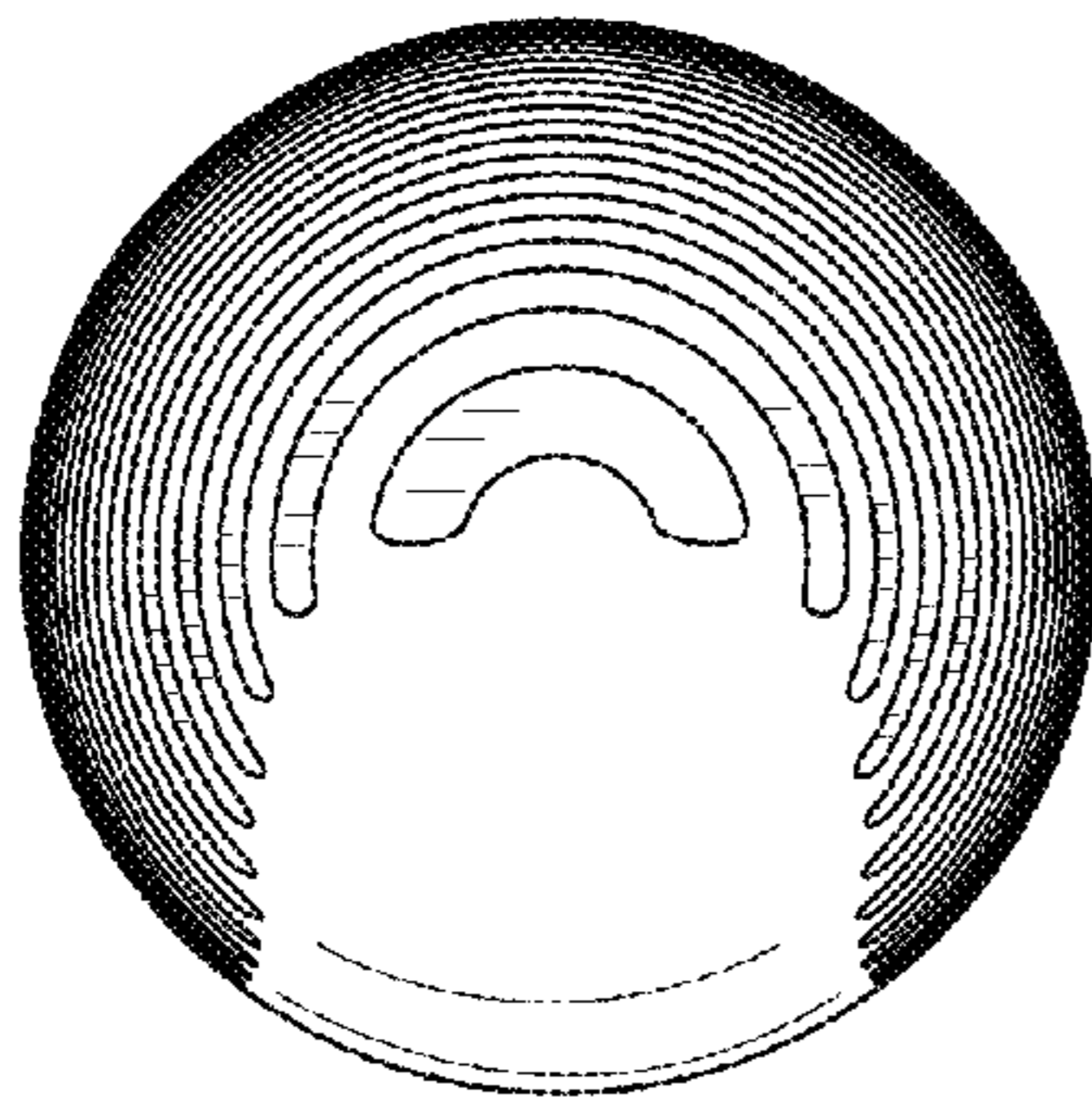


FIG. 2

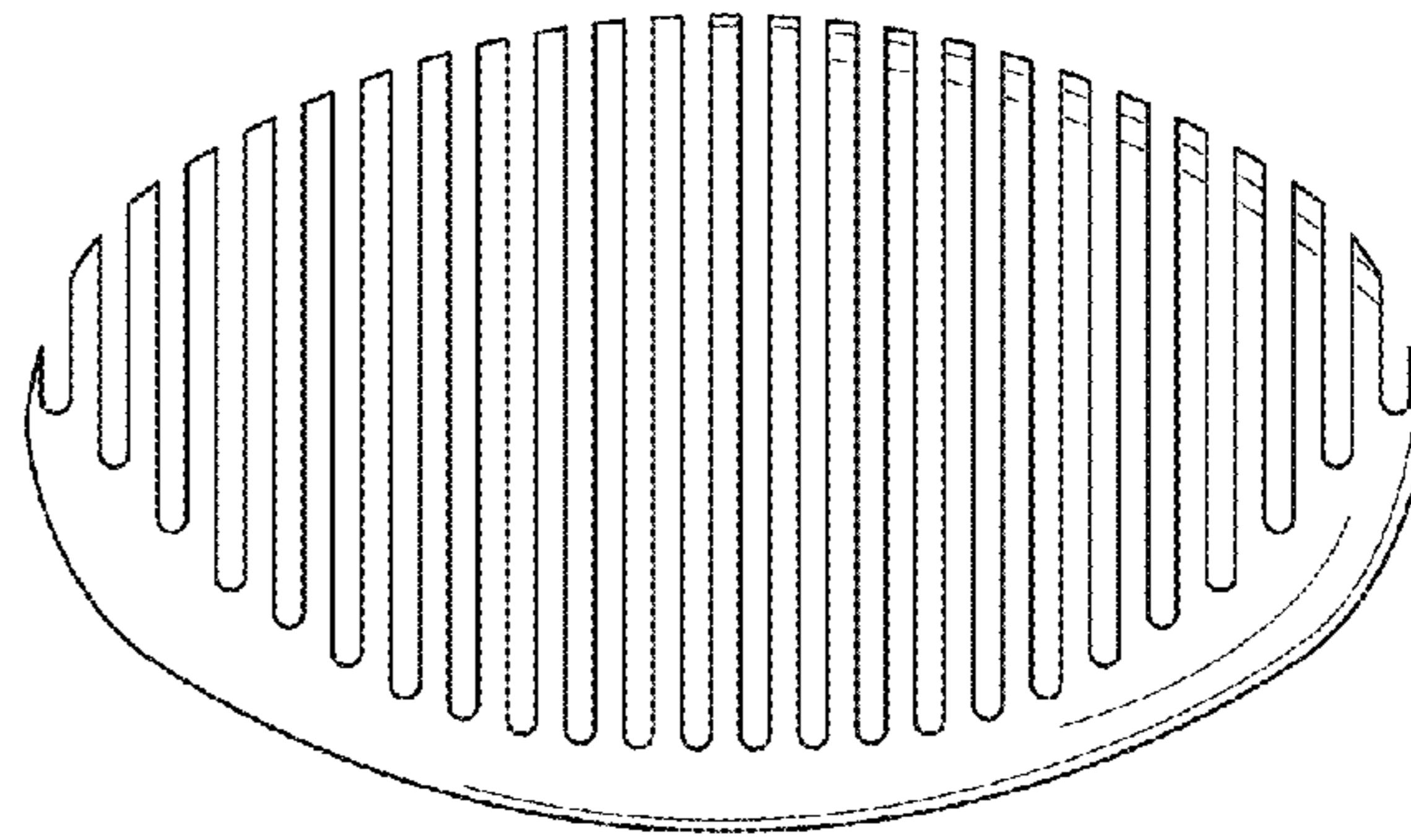


FIG. 3

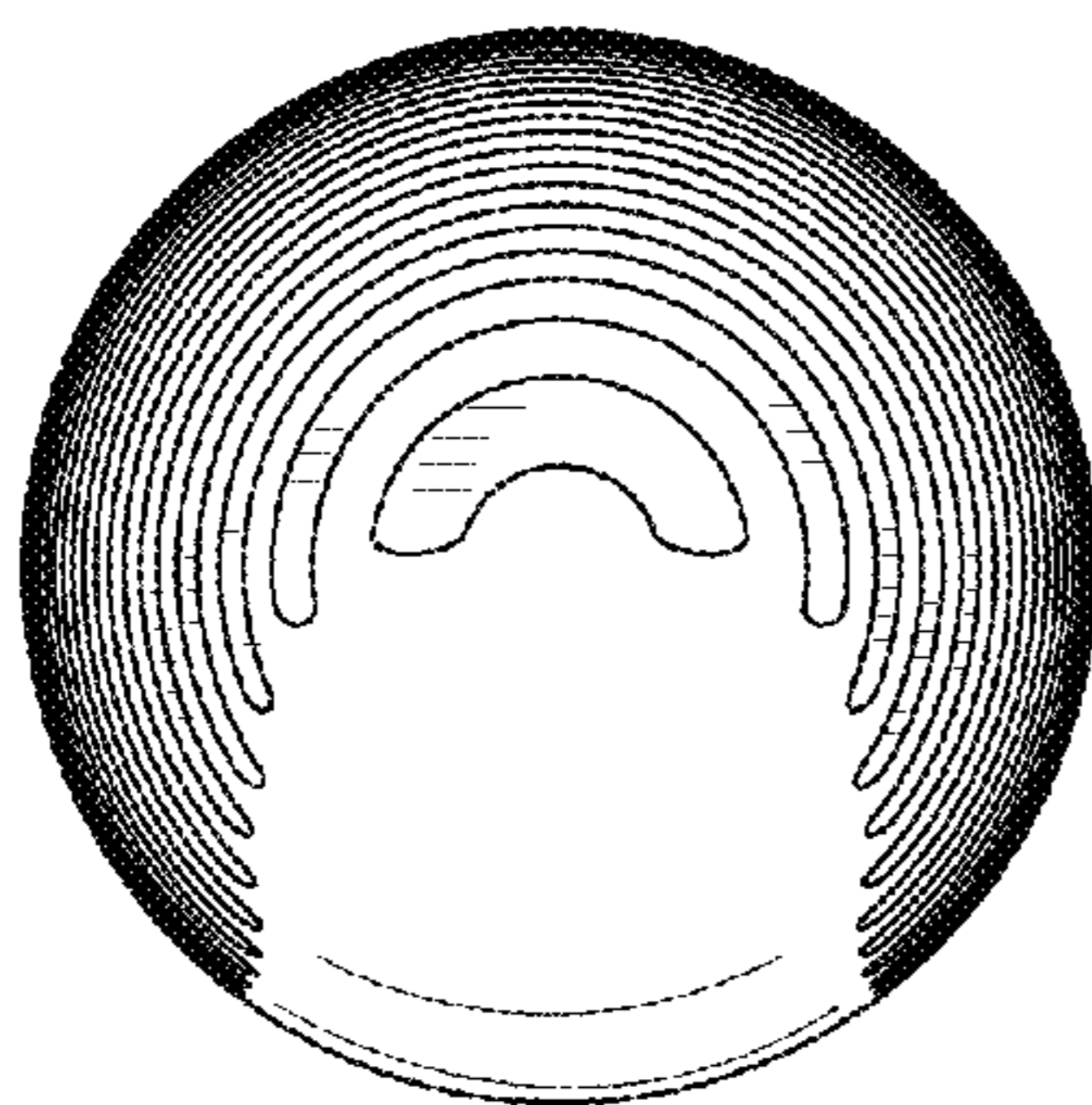


FIG. 4

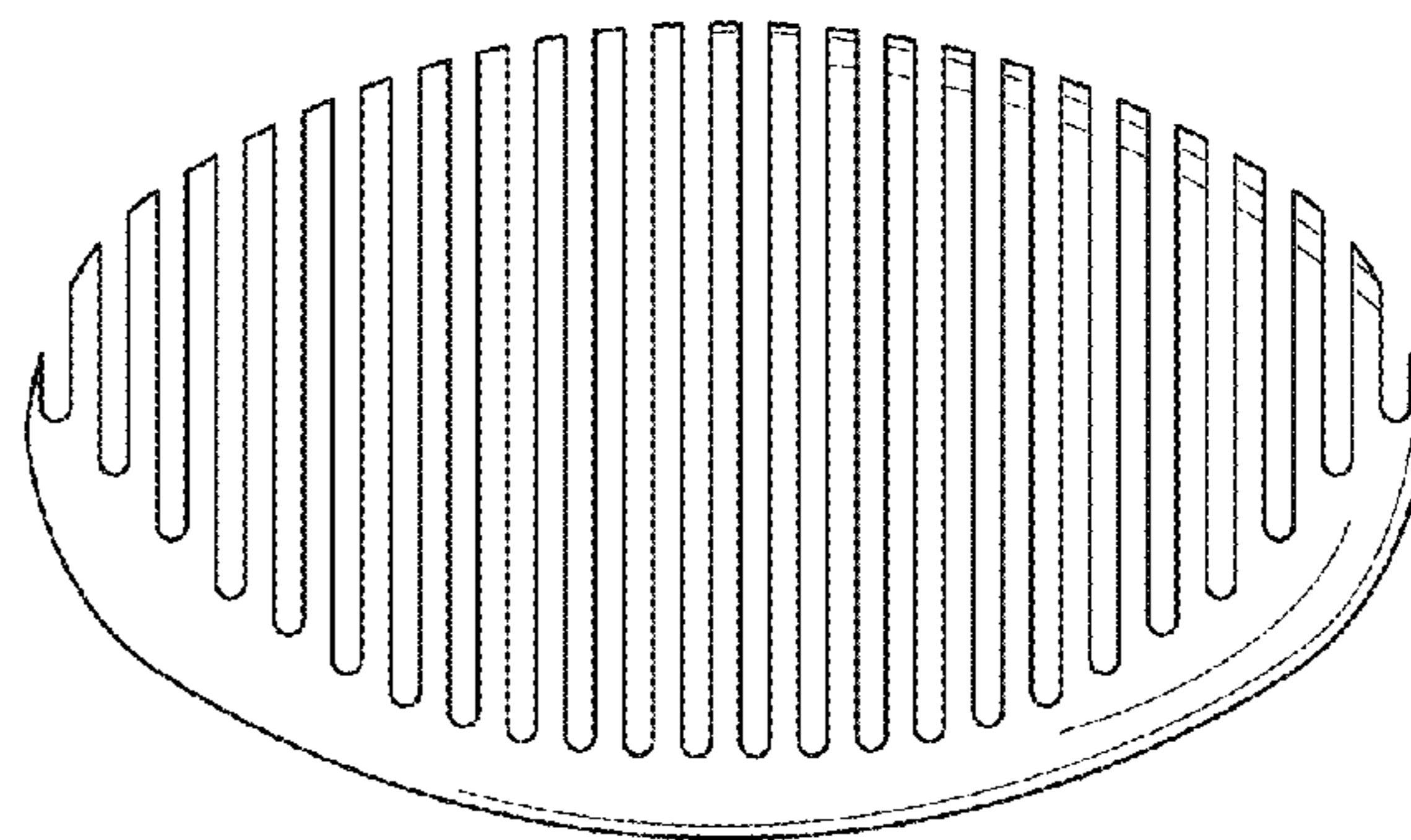


FIG. 5

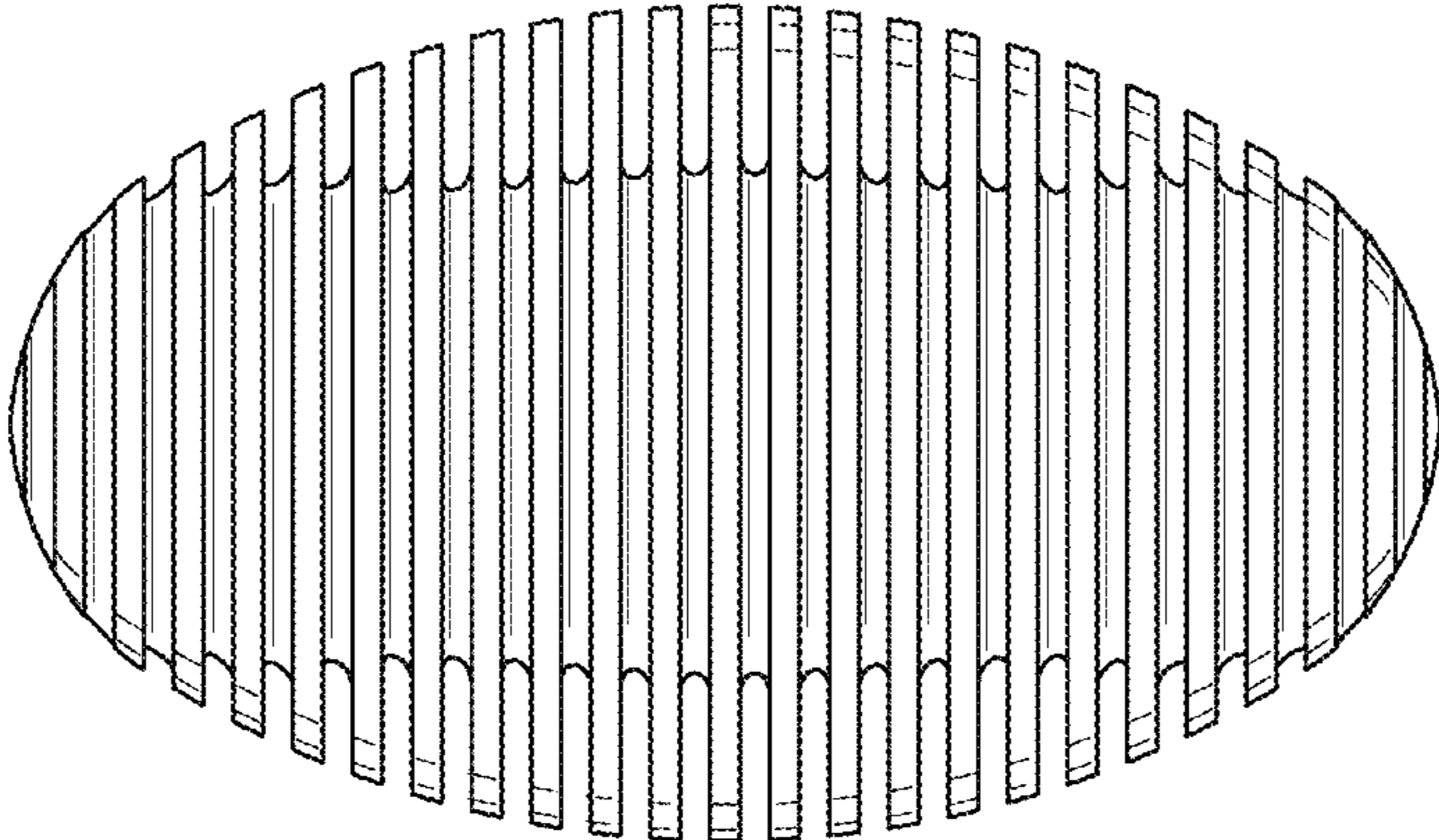


FIG. 6

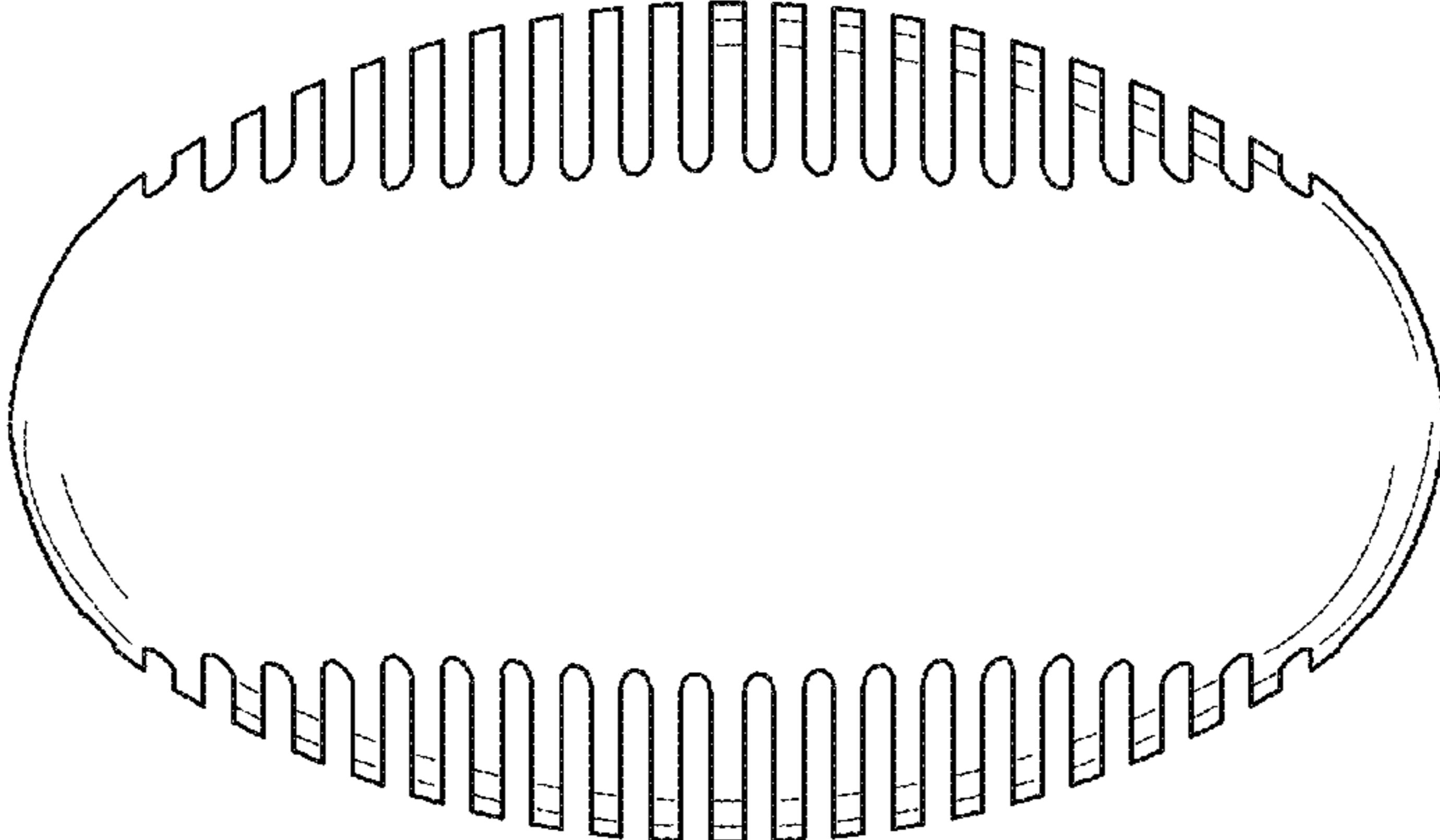


FIG. 7