



US00D721217S

(12) **United States Design Patent**
Rogers et al.

(10) **Patent No.:** **US D721,217 S**
(45) **Date of Patent:** **** Jan. 20, 2015**

(54) **ROOT VEGETABLE PRODUCT**

(71) Applicant: **McCain Foods Limited**,
Florenceville-Bristol (CA)

(72) Inventors: **David M. Rogers**, Woodstock (CA);
John Aikens, New Maryland (CA)

(73) Assignee: **McCain Foods Limited**,
Florenceville-Bristol (CA)

(**) Term: **14 Years**

(21) Appl. No.: **29/456,281**

(22) Filed: **May 30, 2013**

(51) **LOC (10) Cl.** **01-01**

(52) **U.S. Cl.**
USPC **D1/125**

(58) **Field of Classification Search**
CPC A21D 13/0029; A21D 13/0074; A21D
13/0022; A21D 13/0006; A23L 1/1641;
A23L 1/005
USPC D1/100–130, 199; D7/504, 509, 510,
D7/523, 524, 555, 566, 568, 584–587, 602,
D7/672, 300.1; D21/386, 672, 803, 821;
D19/91; 426/92, 94, 95, 99, 101,
426/138–139, 143, 279, 282, 283, 391,
426/514; D11/146, 151, 154, 78, 131, 141,
D11/152; D14/480.5, 484.1; D25/119, 121,
D25/126; D30/160; 220/566; D34/28, 29;
D8/387; D24/145

See application file for complete search history.

(56) **References Cited**

U.S. PATENT DOCUMENTS

1,714,234 A * 5/1929 Ost 425/191
D214,659 S * 7/1969 Cooper et al. D1/125
D337,643 S * 7/1993 Betz, Jr. D1/125
D381,486 S * 7/1997 Hauser et al. D1/126
5,728,418 A * 3/1998 Hauser et al. 426/557

D478,705 S * 8/2003 Dahl et al. D1/125
D483,688 S * 12/2003 Kent et al. D11/131
D492,467 S * 7/2004 Pittard et al.
D584,564 S * 1/2009 Karasch D7/368
D621,578 S * 8/2010 Farkas et al. D1/125
D627,536 S * 11/2010 Albuja et al. D1/125
D630,327 S * 1/2011 Rinner D24/145
7,879,377 B2 * 2/2011 Dahl et al. 426/282
D636,971 S * 5/2011 Diermeier et al. D1/125
D666,485 S * 9/2012 Hegetschweiler D8/387
D678,757 S * 3/2013 Imai et al. D8/387
D683,927 S * 6/2013 Tansey et al. D1/125

OTHER PUBLICATIONS

Fusilli Giganti, Nov. 18, 2010. [online.] [retrieved on Aug. 29, 2014].
Retrieved from internet <URL: <http://www.bellaitaliaproducts.com/bellaitalia/cmd/ShowProductsCatalog?country=&product=BT020207DM05040650GRSQ>>.*

Fusilli Pasta, Jan. 23, 2008. [online.] [retrieved on Aug. 29, 2014].
Retrieved from internet <URL: http://www.armsan.org/Food/pasta_lithuania.htm>.*

(Continued)

Primary Examiner — Deanna L Pratt

Assistant Examiner — Katie Mroczka

(74) *Attorney, Agent, or Firm* — Panitch Schwarze Belisario
& Nadel LLP

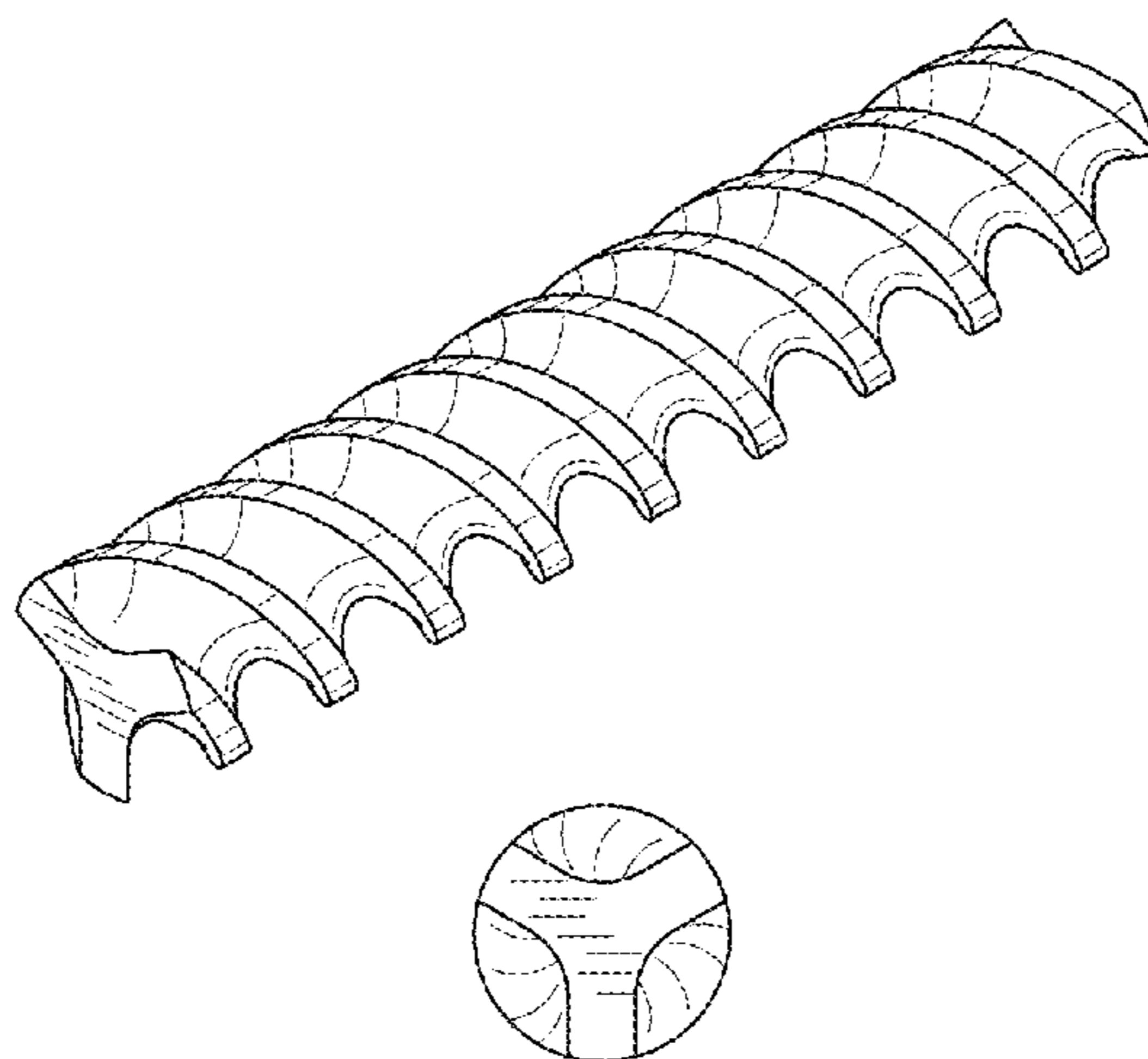
(57) **CLAIM**

The ornamental design for a root vegetable product, as shown
and described.

DESCRIPTION

FIG. 1 is a front perspective view of a root vegetable product
in accordance with our new design;
FIG. 2 is a left side elevational view thereof;
FIG. 3 is a front elevational view thereof;
FIG. 4 is a right side elevational view thereof;
FIG. 5 is a rear elevational view thereof;
FIG. 6 is a top plan view thereof; and,
FIG. 7 is a bottom plan view thereof.

1 Claim, 1 Drawing Sheet



(56)

References Cited

OTHER PUBLICATIONS

Rotini Pasta, Feb. 22, 2010. [online.] [retrieved on Aug. 29, 2014].
Retrieved from internet <URL: <http://www.free-photo-gallery.org/photos/rotini-pasta/>>.*

Scroodle Noodle, Oct. 3, 2012 [online.] [retrieved on Aug. 29, 2014].

Retrieved from internet <URL: <http://onlinerecipes.blogspot.com/2012/09/rotini-scroodle-noodles-scroodle.html>>.*

* cited by examiner

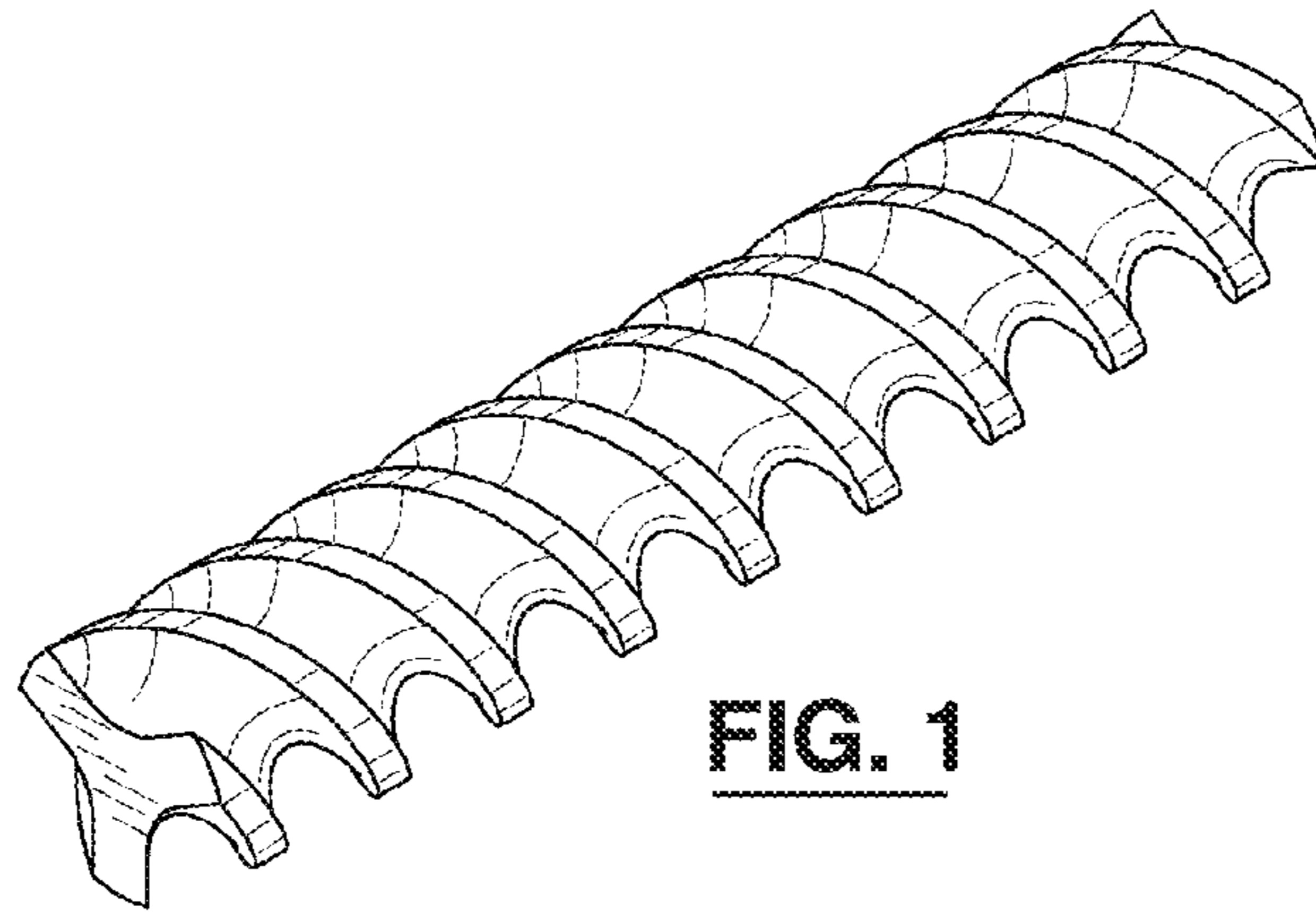


FIG. 1

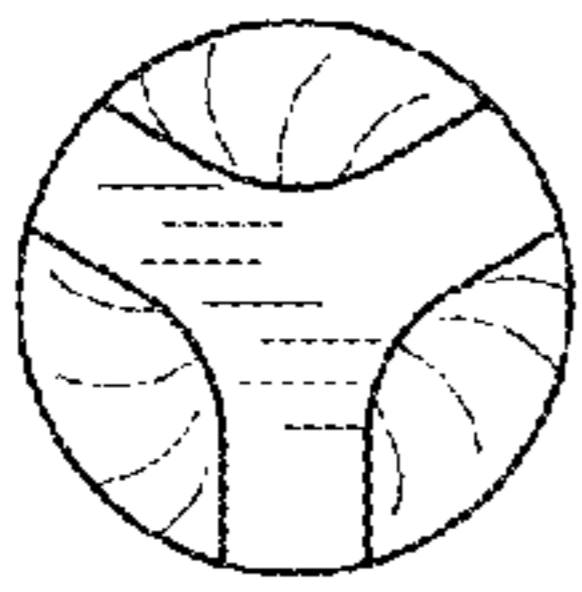


FIG. 2

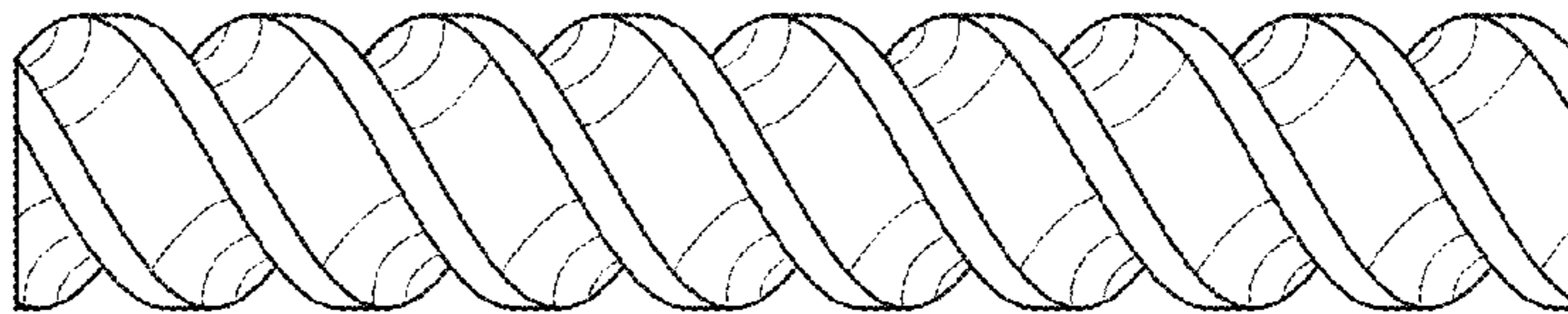


FIG. 3

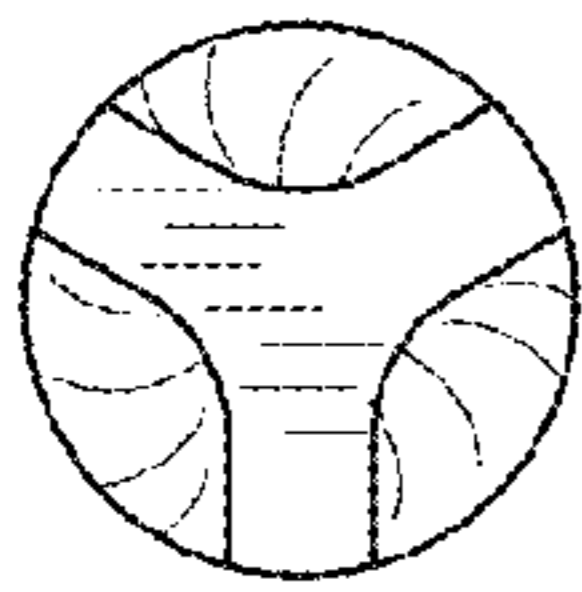


FIG. 4

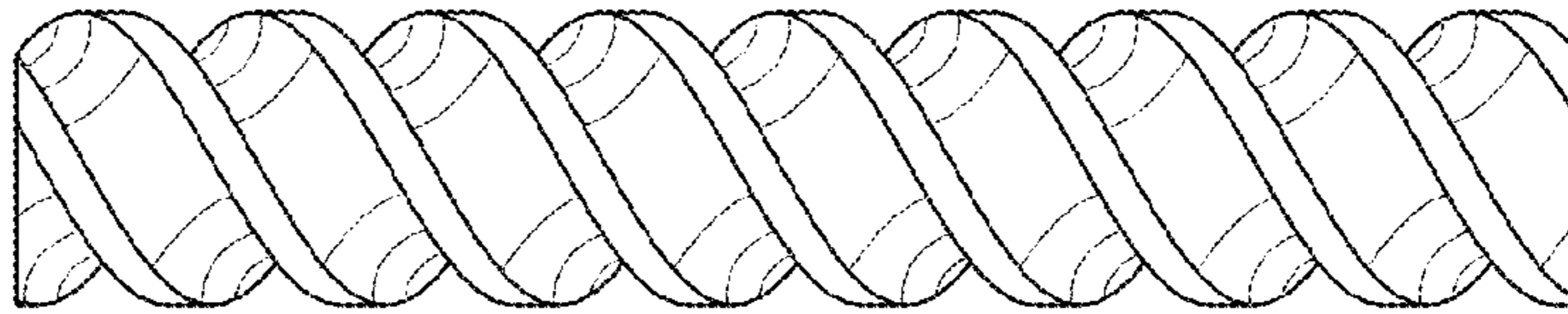


FIG. 5

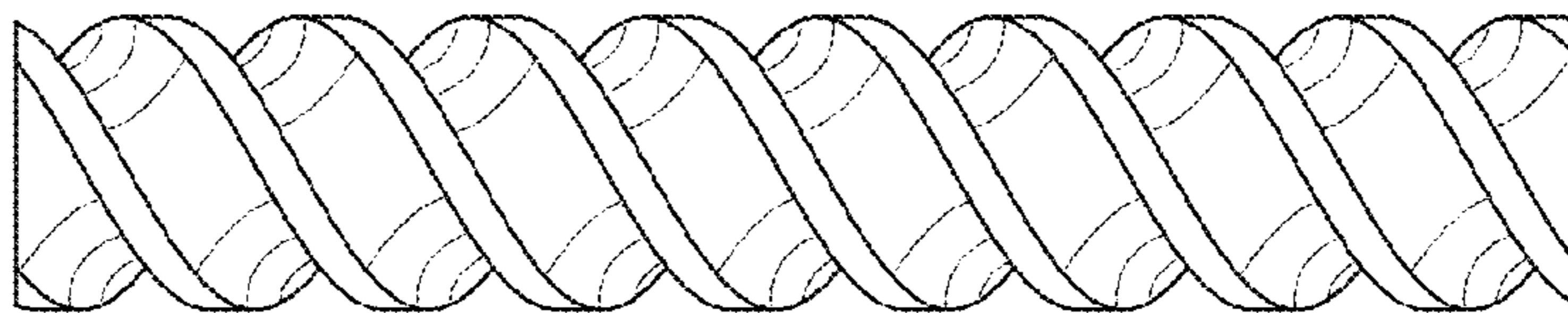


FIG. 6

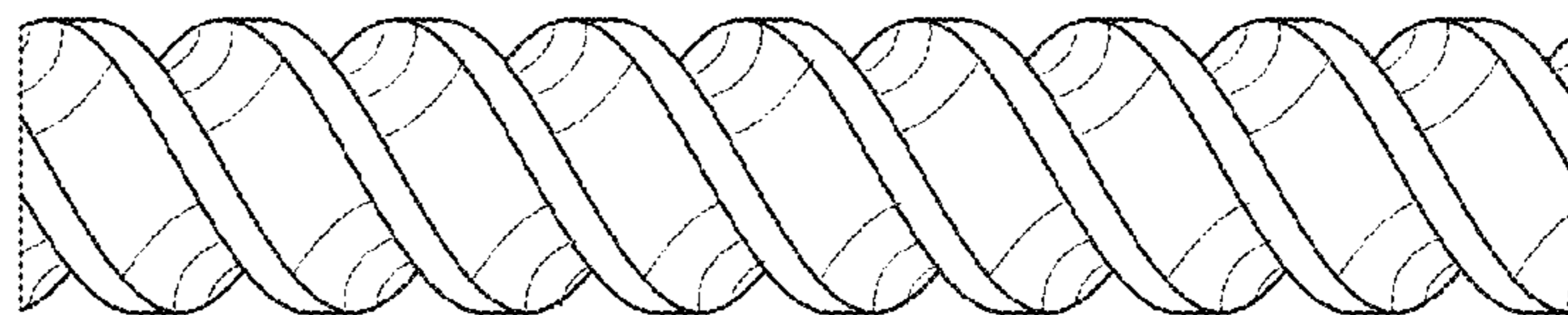


FIG. 7