



US00D721215S

(12) **United States Design Patent**  
**Lee et al.**

(10) **Patent No.:** **US D721,215 S**  
(45) **Date of Patent:** **\*\* Jan. 13, 2015**

(54) **AUTOMATED TELLER MACHINE**

705/44, 45; 235/51, 379, 380, 381, 382,  
235/382.5, 386; 206/0.8, 0.81, 0.815, 0.82,  
206/0.83, 0.84

(71) Applicant: **Nautilus Hyosung Inc.**, Seoul (KR)

See application file for complete search history.

(72) Inventors: **Hee Yeon Lee**, Sungnam-si (KR); **Jae Min Cha**, Sungnam-si (KR)

(56) **References Cited**

(73) Assignee: **Nautilus Hyosung Inc.**, Seoul (KR)

U.S. PATENT DOCUMENTS

(\*\*) Term: **14 Years**

D420,487 S *	2/2000	Swaine	.....	D99/28
D427,742 S *	7/2000	McCormack et al.	.....	D99/28
D429,401 S *	8/2000	Sato et al.	.....	D99/28
D430,379 S *	8/2000	Massey	.....	D99/28
D431,708 S *	10/2000	McCormack et al.	.....	D99/28
D449,420 S *	10/2001	Sommerville et al.	.....	D99/28
D461,907 S *	8/2002	Bain et al.	.....	D14/307
D470,543 S *	2/2003	Searls et al.	.....	D21/512
D505,765 S *	5/2005	Swaine et al.	.....	D99/28
D529,255 S *	9/2006	Sato	.....	D99/28
D532,579 S *	11/2006	Kang et al.	.....	D99/28
D603,125 S *	10/2009	Lara Bartolome	.....	D99/28

(21) Appl. No.: **29/483,620**

(22) Filed: **Feb. 28, 2014**

(Continued)

**Related U.S. Application Data**

(63) Continuation of application No. 29/470,001, filed on Oct. 16, 2013, now abandoned, which is a continuation of application No. 29/453,082, filed on Apr. 24, 2013, now abandoned, which is a continuation of application No. 29/387,325, filed on Mar. 11, 2011, now abandoned.

*Primary Examiner* — Elizabeth J Oswecki

(74) *Attorney, Agent, or Firm* — Fenwick & West LLP

(51) **LOC (10) Cl.** ..... **20-01**

(52) **U.S. Cl.**  
USPC ..... **D99/28**

(57) **CLAIM**

The ornamental design for an automated teller machine, as shown and described.

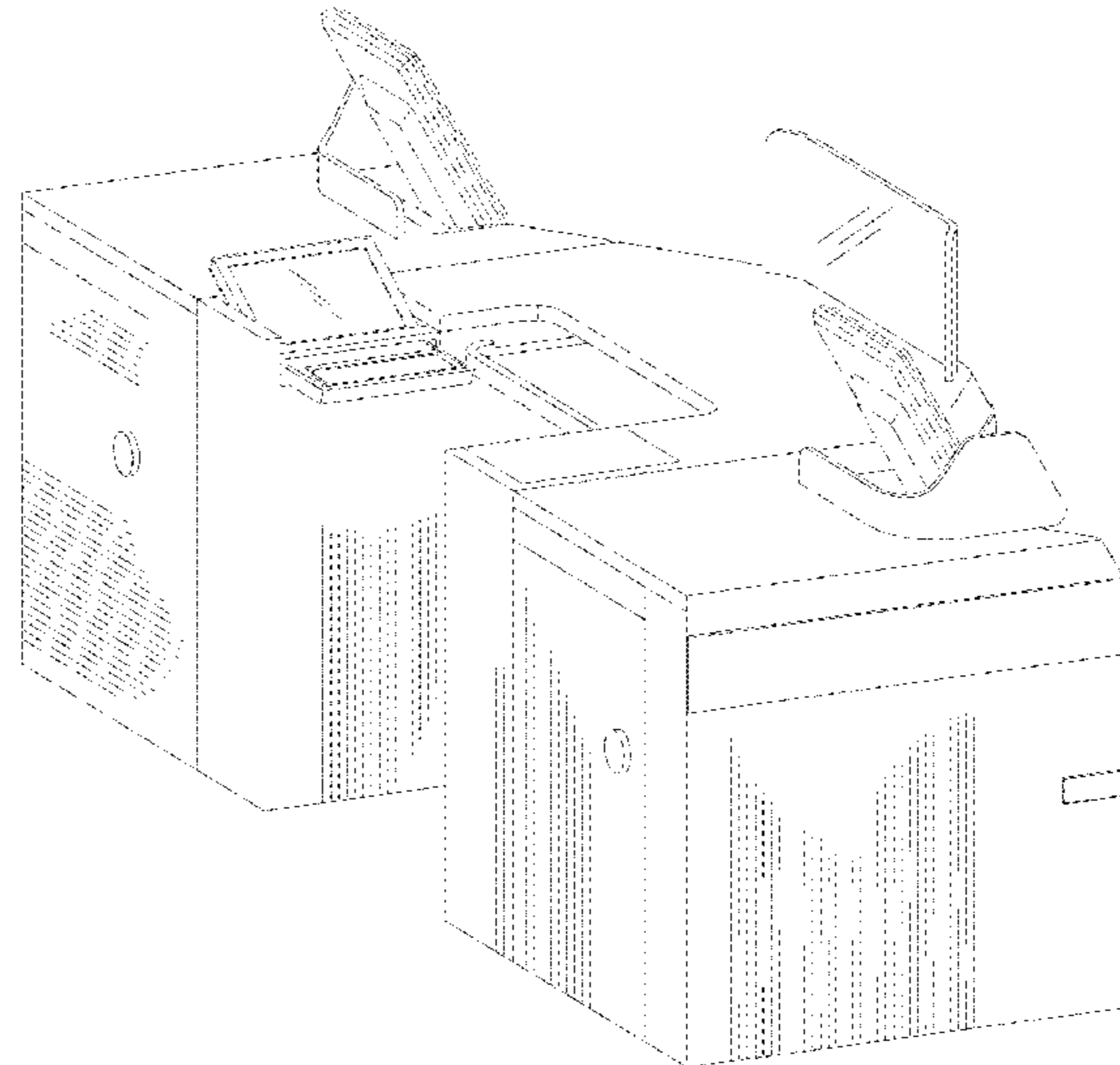
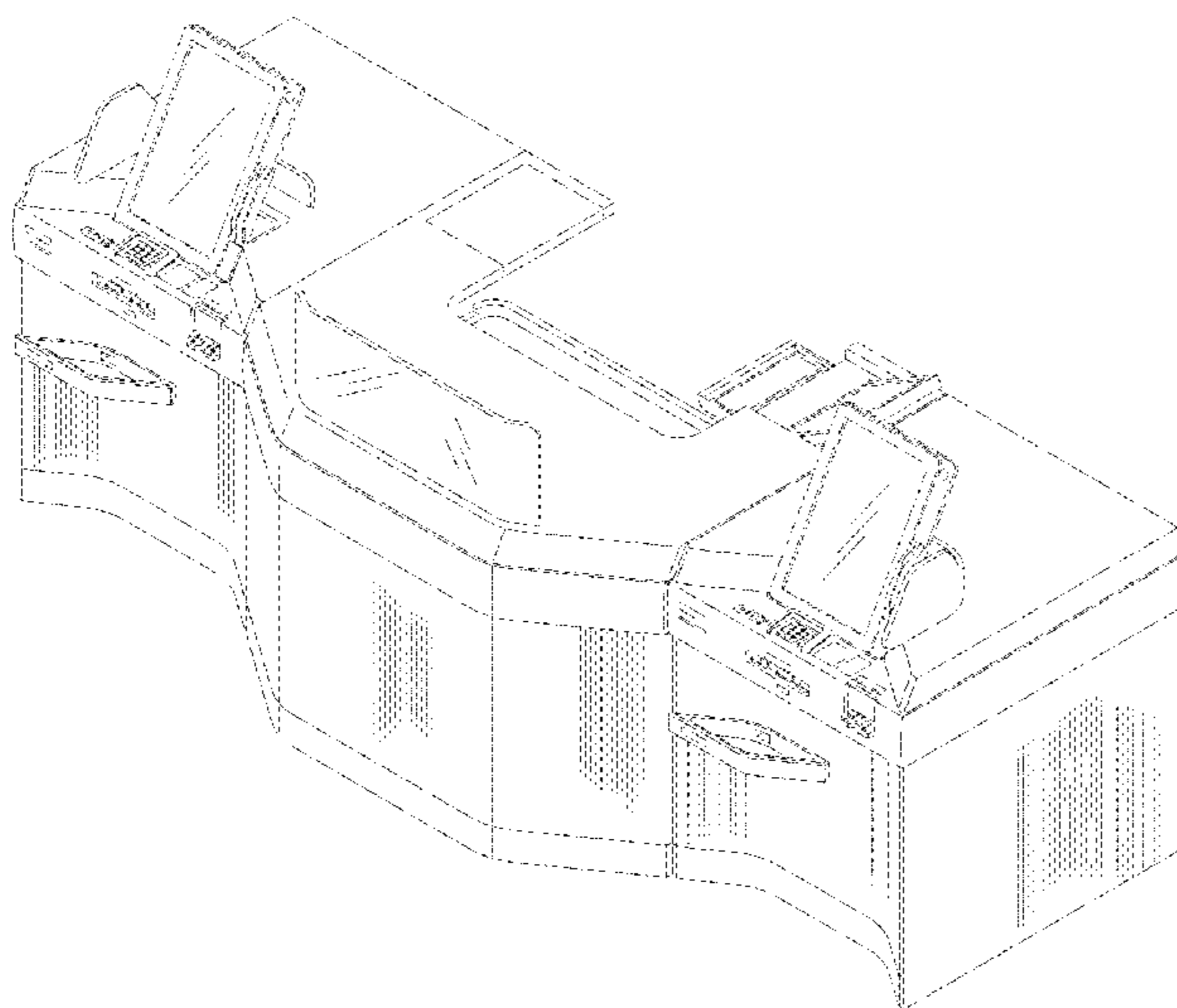
(58) **Field of Classification Search**

CPC . G06Q 20/10; G06Q 20/108; G06Q 20/1085; G06Q 20/18; G07D 1/00; G07D 11/00; G07D 1/02; G07D 1/04; G07D 1/06; G07D 9/002; G07D 9/04; G07F 19/20; G07F 19/201; G07F 19/202; G07F 19/203; G07F 19/204; G07F 19/205; G07F 19/21; G07F 7/04; G07F 5/00; G07F 1/00; E05G 7/001; E05G 1/006; A63H 33/00; A63H 33/005  
USPC ..... D99/28, 34, 35, 36, 43, 99; D14/300–302, 305, 307, 900–902; D18/3.1–3.3, 4.1–4.6, 12.1–12.3; D21/324, 325, 329, 369, 370; 101/66; 109/1 R, 1 V, 2, 23, 24.1, 25, 58, 58.5, 109/66; 446/8–13; 705/16, 17, 18, 42, 43,

**DESCRIPTION**

FIG. 1 is a perspective view of an automated teller machine, showing our new design;  
FIG. 2 is another perspective view thereof;  
FIG. 3 is a front view thereof;  
FIG. 4 is a rear view thereof;  
FIG. 5 is a left side view thereof;  
FIG. 6 is a right side view thereof;  
FIG. 7 is a top view thereof; and,  
FIG. 8 is a bottom view thereof.  
Portions of the disclosure shown in broken lines form no part of the claimed design.

**1 Claim, 7 Drawing Sheets**



(56)

**References Cited**

U.S. PATENT DOCUMENTS

D626,544 S *	11/2010	Bleck et al.	.....	D14/307	D679,885 S *	4/2013	Pollmann et al.	.....	D99/28
D626,545 S *	11/2010	Bleck et al.	.....	D14/307	8,479,978 B1 *	7/2013	Miller et al.	.....	235/379
8,052,051 B1 *	11/2011	Lute et al.	.....	235/379	8,496,168 B1 *	7/2013	Miller et al.	.....	235/379
D674,985 S *	1/2013	Lee	.....	D99/28	8,505,814 B1 *	8/2013	Block et al.	.....	235/379
8,365,868 B2 *	2/2013	Johnson et al.	.....	186/52	8,511,546 B2 *	8/2013	Meek et al.	.....	235/379
D678,652 S *	3/2013	Budde et al.	.....	D99/28	D689,665 S *	9/2013	Pollmann et al.	.....	D99/28
					8,573,484 B1 *	11/2013	Irudayam et al.	.....	235/379
					8,579,192 B1 *	11/2013	Miller et al.	.....	235/379

\* cited by examiner

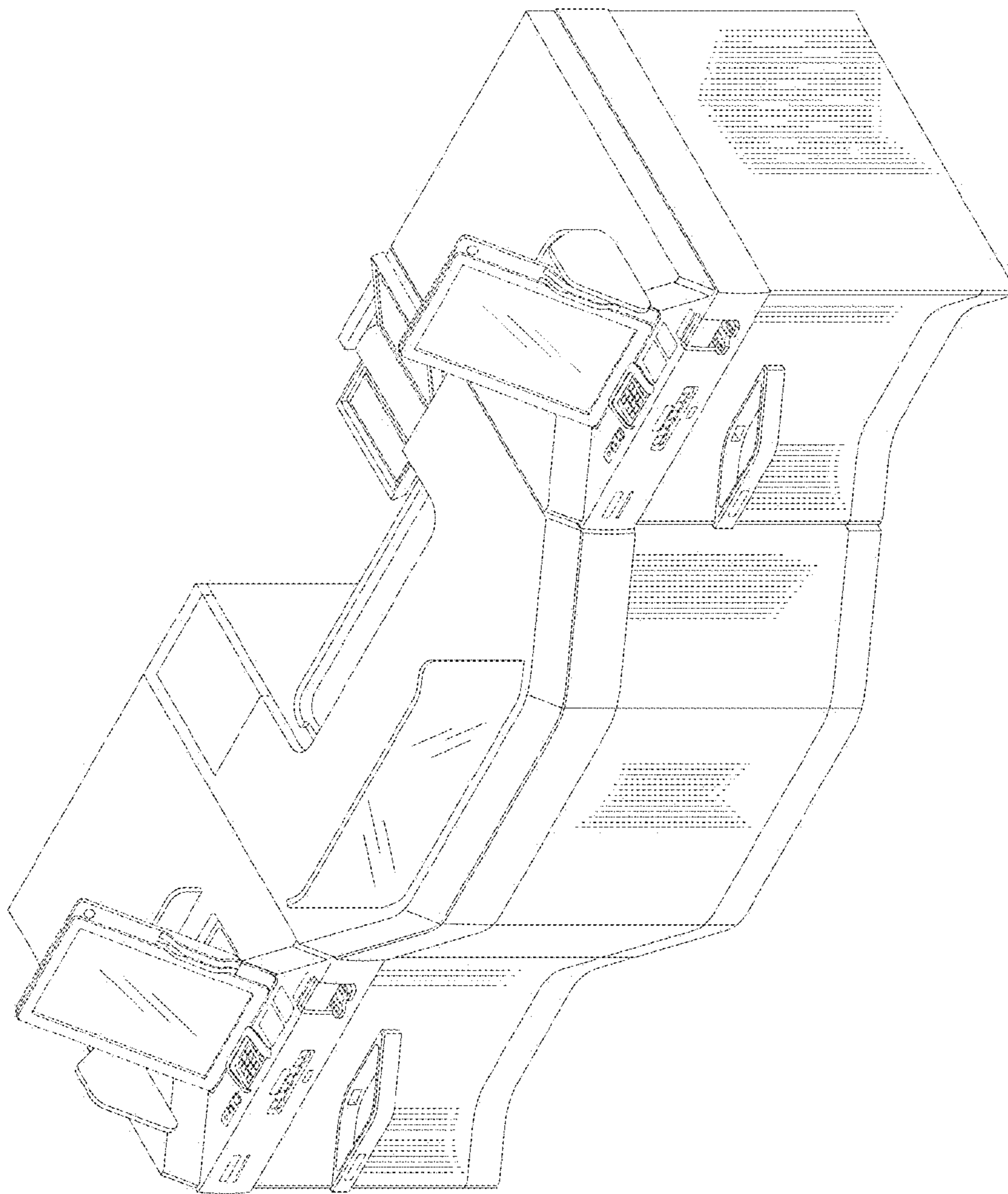


FIG. 1

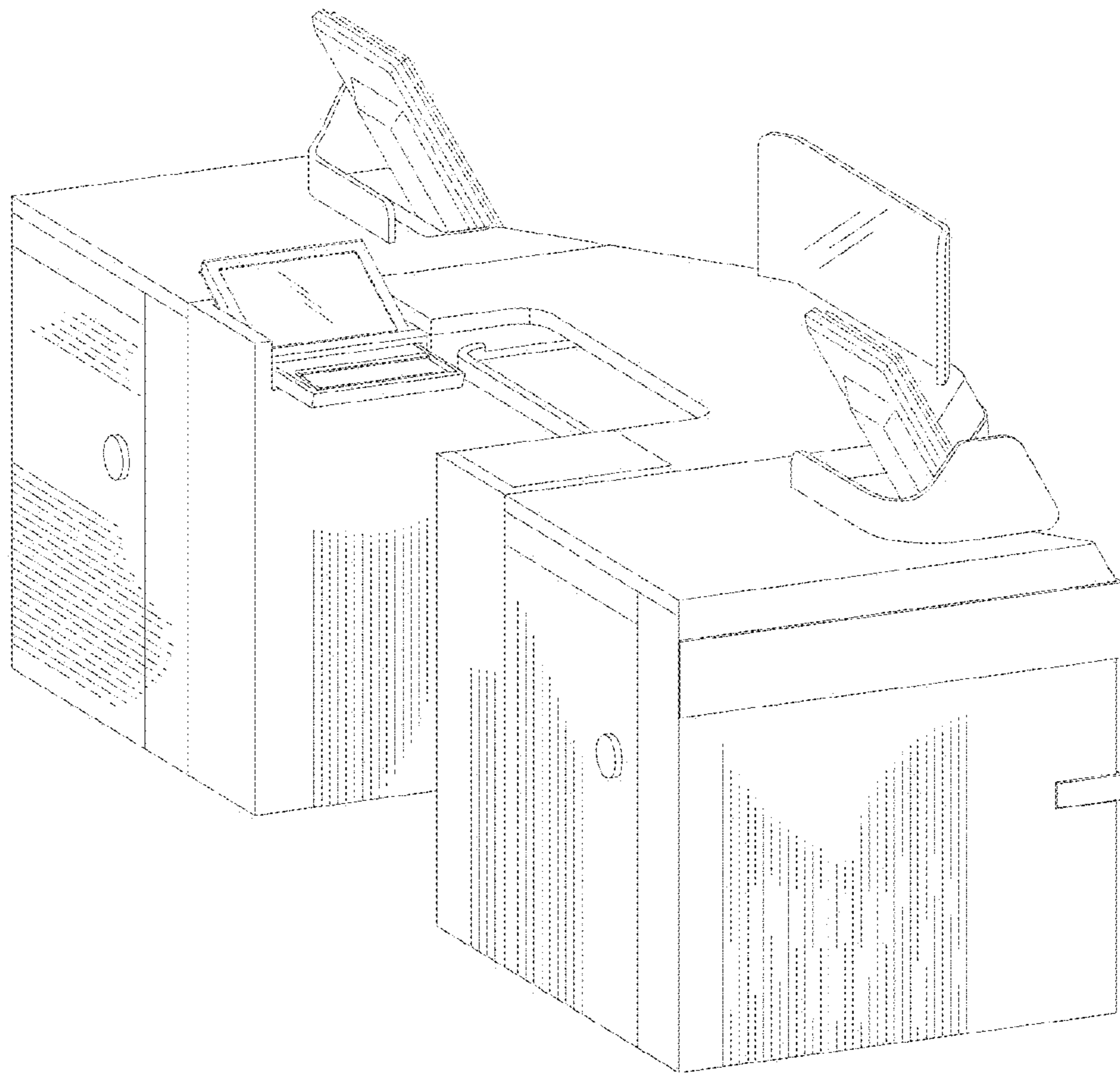


FIG. 2

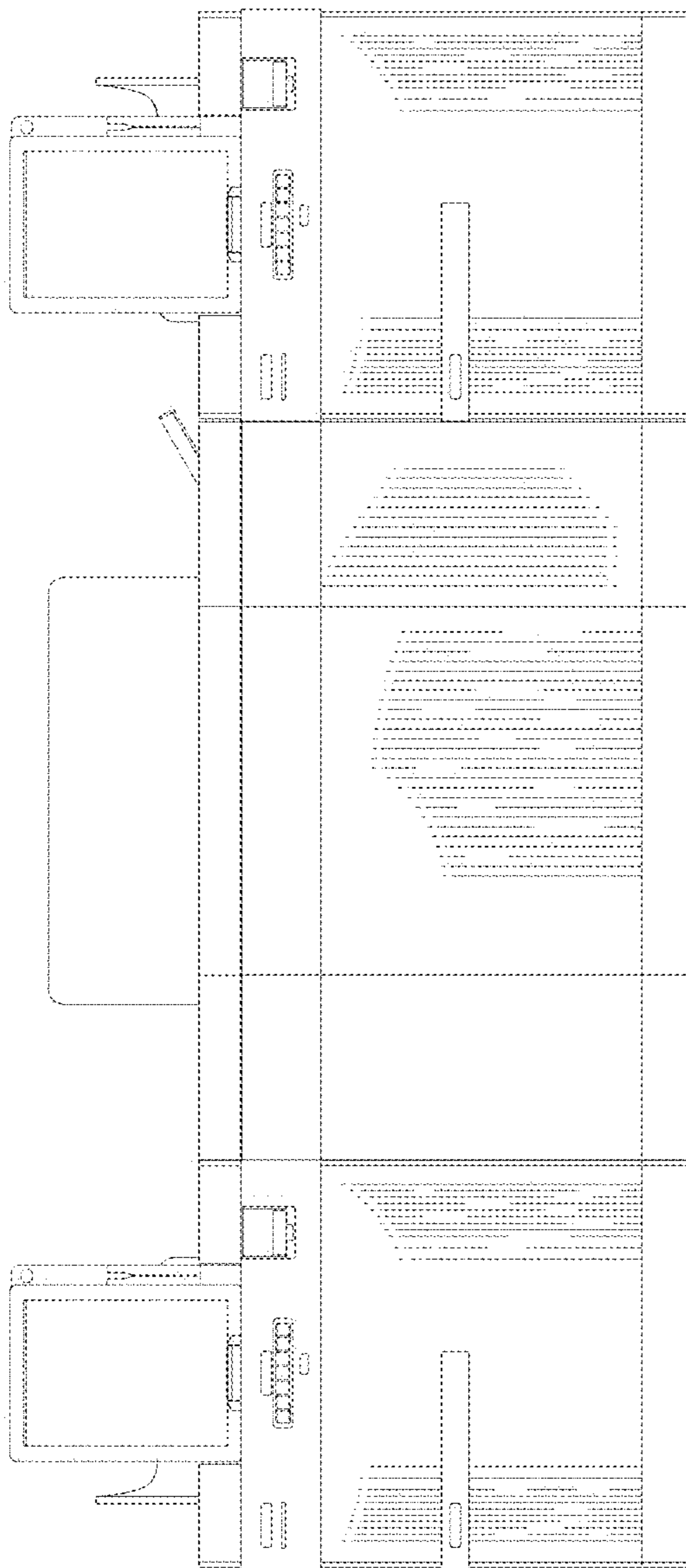


FIG. 3

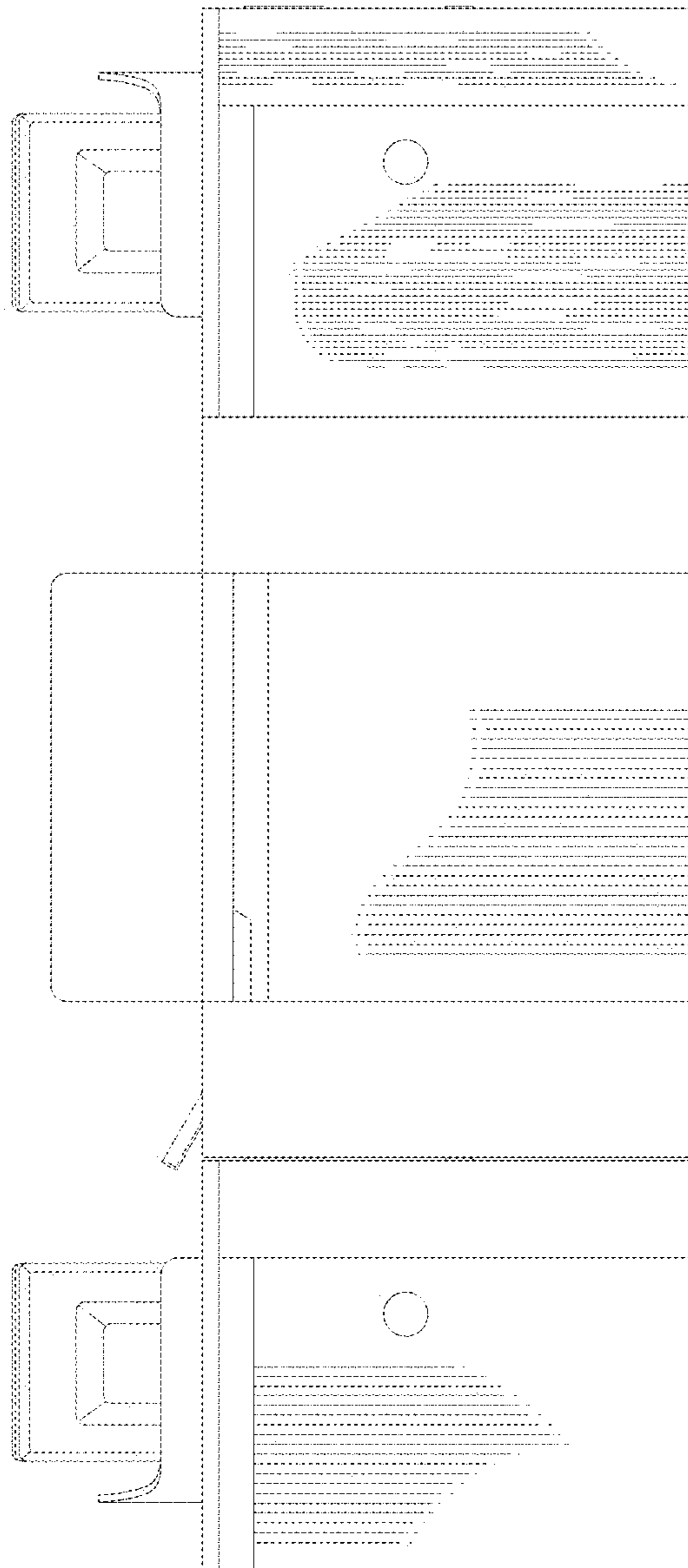


FIG. 4

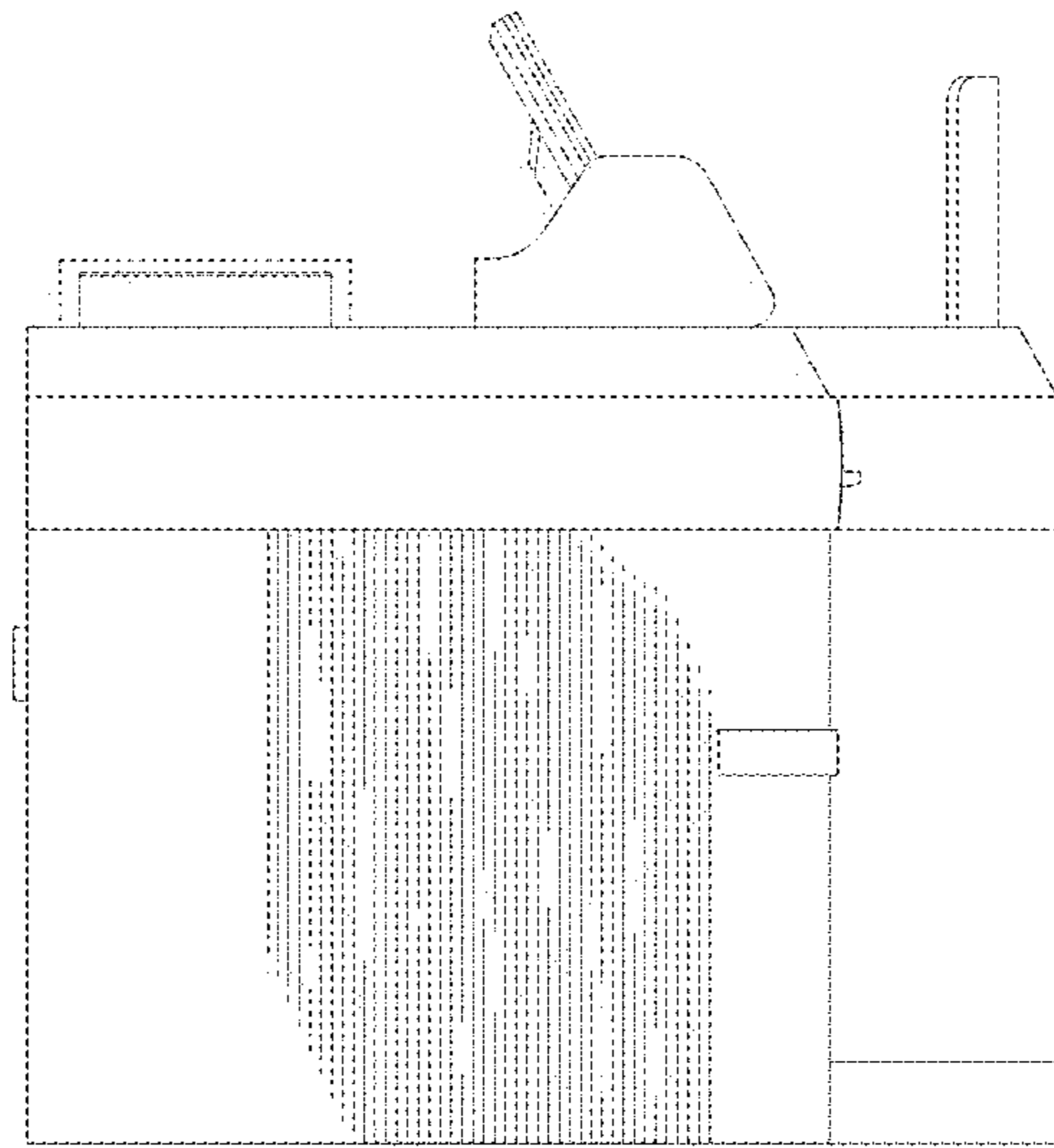


FIG. 5

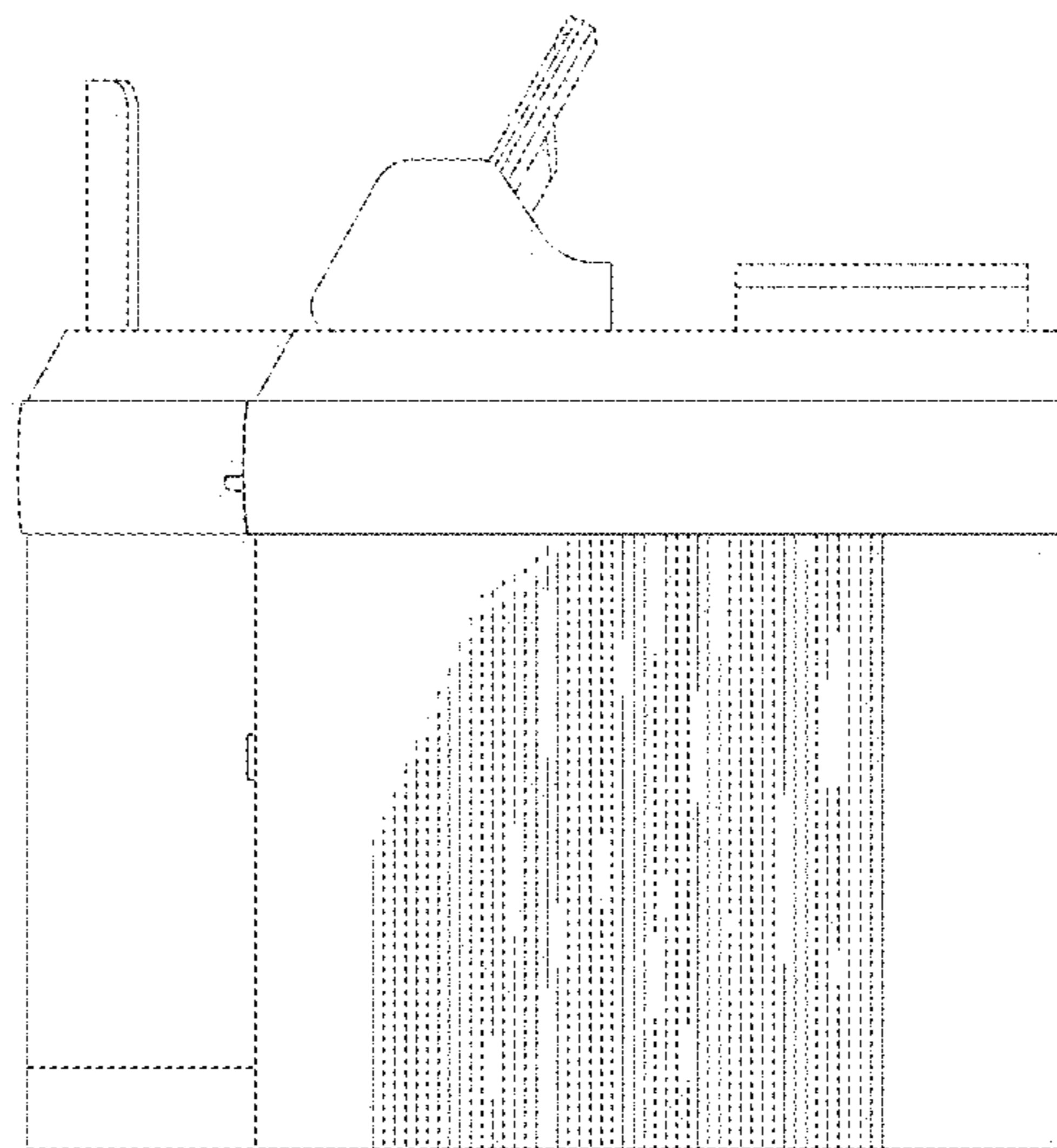


FIG. 6

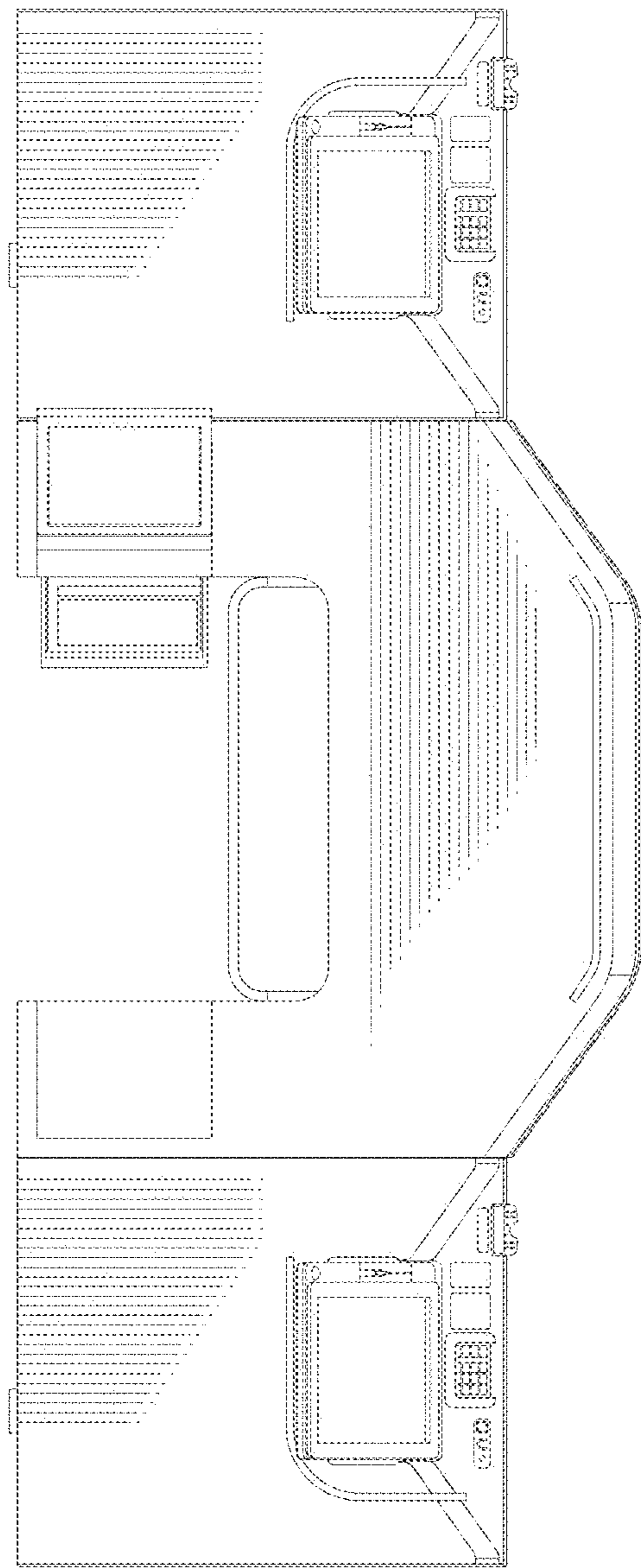


FIG. 7



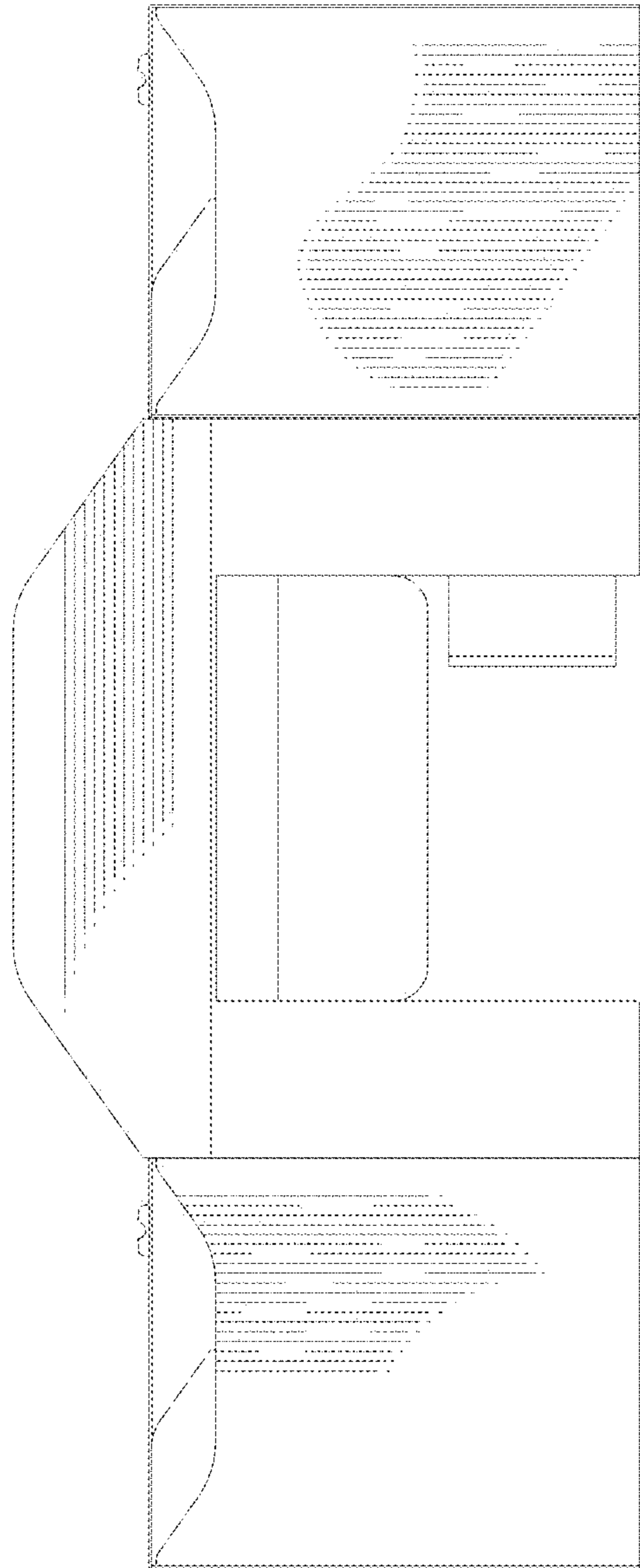


FIG. 8