



US00D721214S

(12) **United States Design Patent**
Trochum

(10) **Patent No.:** **US D721,214 S**
(45) **Date of Patent:** **** Jan. 13, 2015**

(54) **PORTABLE WINCH**

(71) Applicant: **Ingersoll-Rand Company**, Davidson, NC (US)

(72) Inventor: **Amy Trochum**, Bethlehem, PA (US)

(73) Assignee: **Ingersoll-Rand Company**, Davidson, NC (US)

(**) Term: **14 Years**

(21) Appl. No.: **29/483,255**

(22) Filed: **Feb. 26, 2014**

(51) **LOC (10) Cl.** **12-05**

(52) **U.S. Cl.**
USPC **D34/33**

(58) **Field of Classification Search**
USPC D34/28, 32, 33; 254/264, 265, 97, 266,
254/362, 323, 371, 333, DIG. 14
See application file for complete search history.

(56) **References Cited**

U.S. PATENT DOCUMENTS

D138,597 S *	8/1944	Little	D34/33
D313,299 S *	12/1990	Tupper	D34/33
D438,358 S *	2/2001	Huang	D34/33
D571,973 S *	6/2008	Burns et al.	D34/33
D573,775 S *	7/2008	Burns et al.	D34/33
7,441,748 B2 *	10/2008	Sakai et al.	254/358
D596,369 S *	7/2009	Walstrom et al.	D34/33
D704,415 S *	5/2014	Ishikawa et al.	D34/33
2007/0075302 A1	4/2007	Munko et al.		

OTHER PUBLICATIONS

Ingersoll-Rand Co., "Liftstar & Pullstar Series Air Winches," EMEIA Air Winch & Hoist Catalog, 2012, 9 pages.

* cited by examiner

Primary Examiner — Cynthia Ramirez

(74) *Attorney, Agent, or Firm* — Barnes & Thornburg LLP

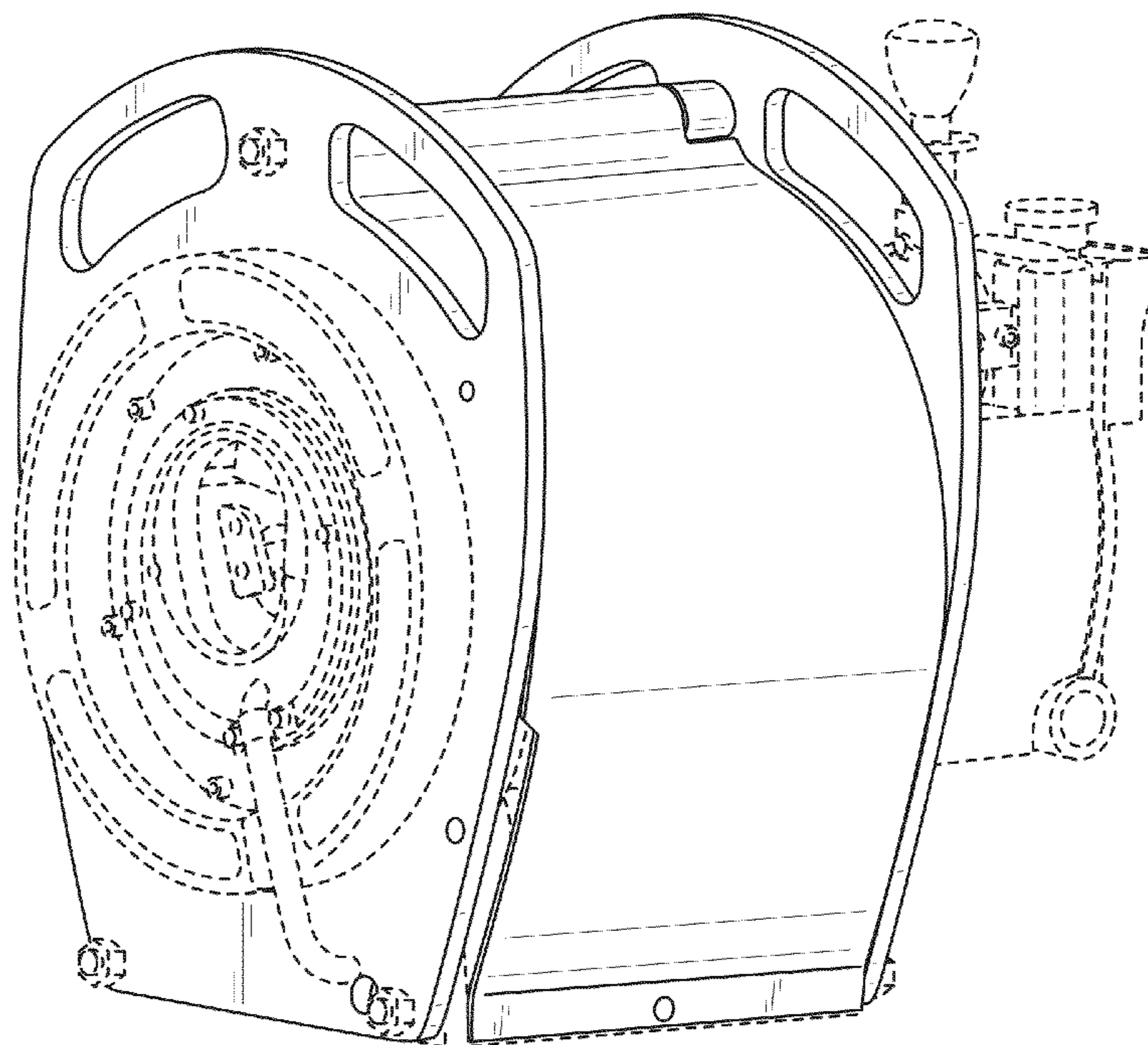
(57) **CLAIM**

The ornamental design for a portable winch, as shown and described.

DESCRIPTION

FIG. 1 is a perspective view of a design of a portable winch; FIG. 2 is a first side elevation view of the portable winch of FIG. 1; FIG. 3 is a second side elevation view of the portable winch of FIG. 1; FIG. 4 is a front elevation view of the portable winch of FIG. 1; FIG. 5 is a rear elevation view of the portable winch of FIG. 1; FIG. 6 is a top plan view of the portable winch of FIG. 1; and, FIG. 7 is a bottom plan view of the portable winch of FIG. 1. The broken lines shown in the figures depict environmental subject matter and form no part of the claimed design.

1 Claim, 7 Drawing Sheets



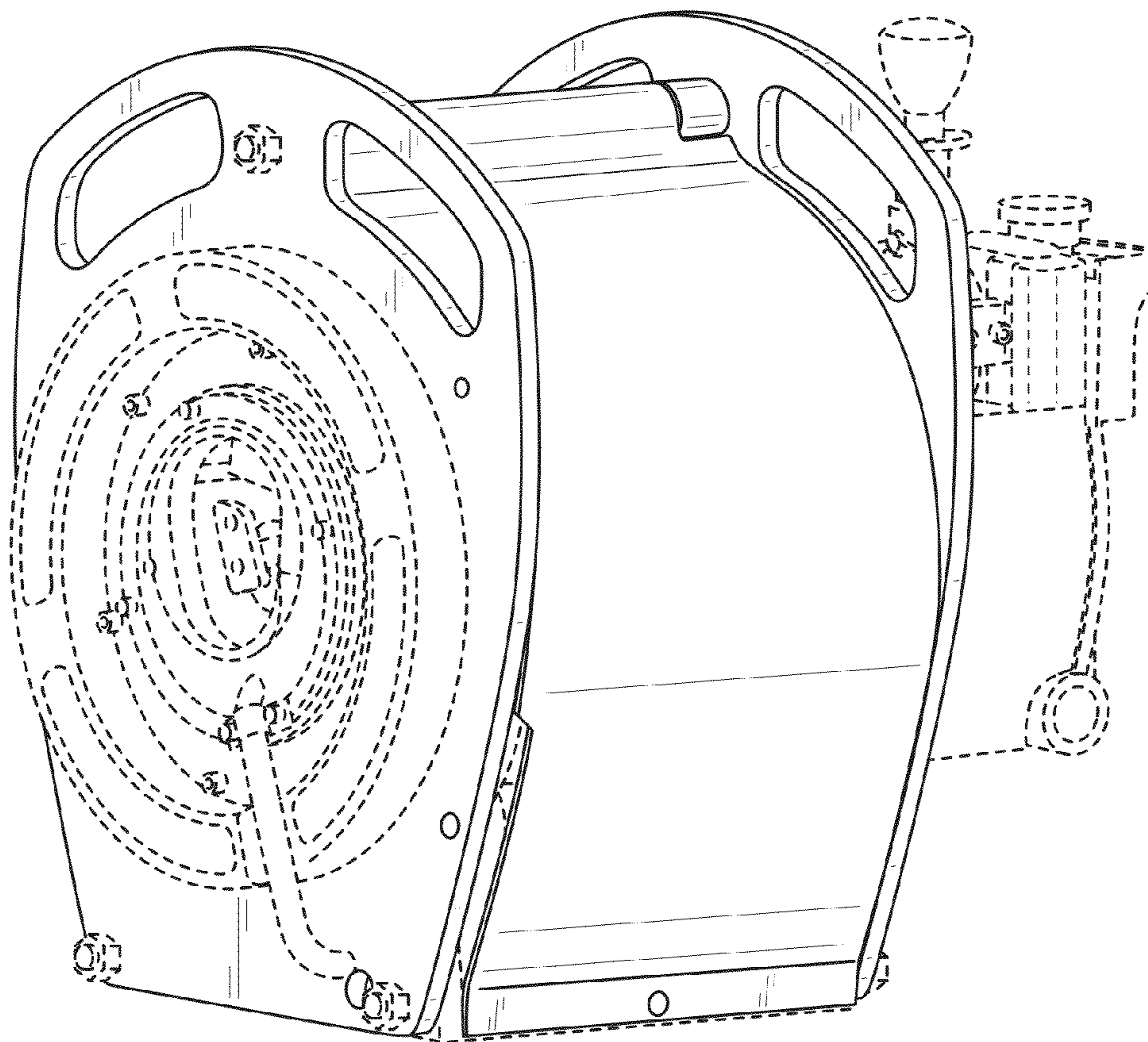


FIG. 1

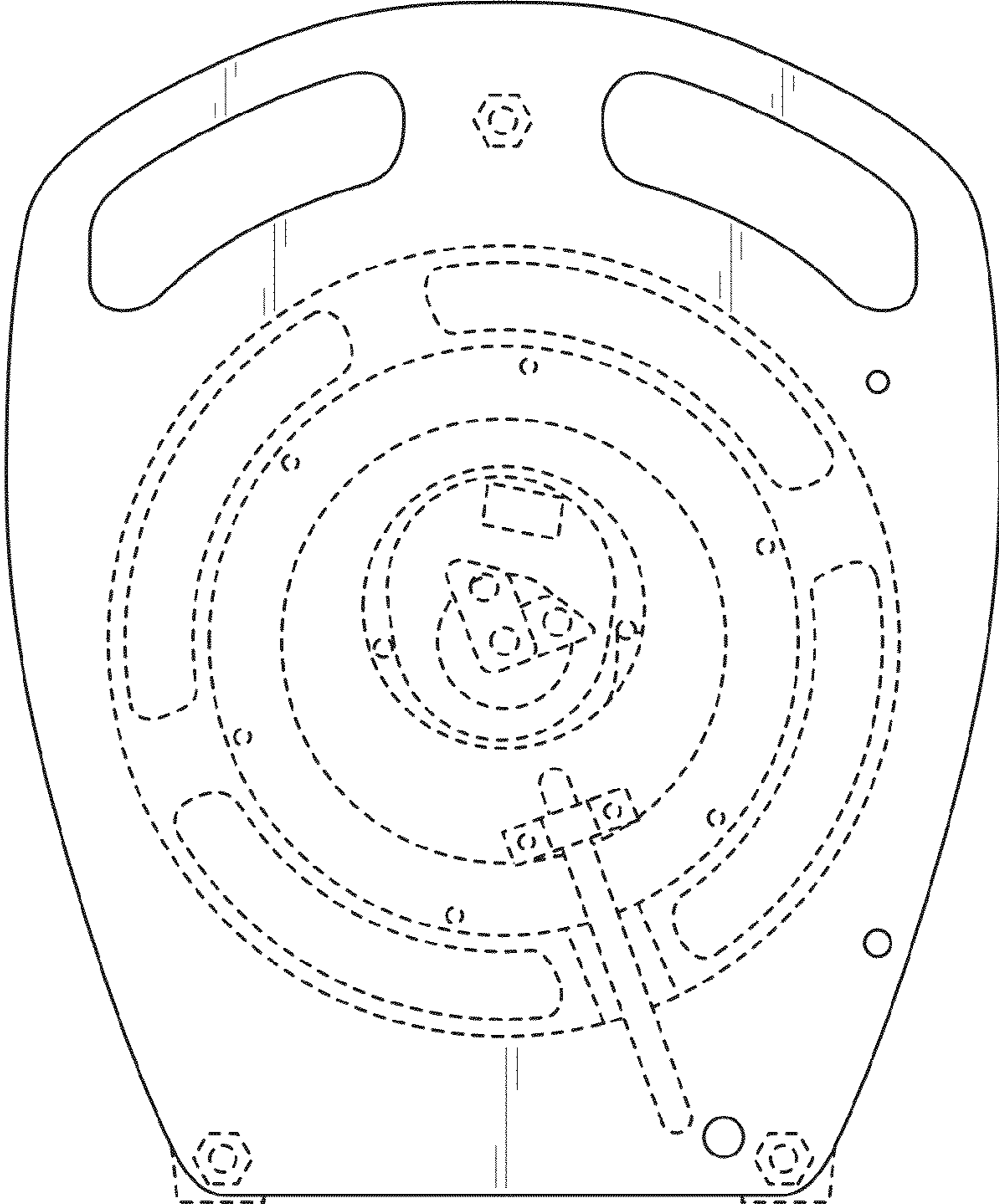


FIG. 2

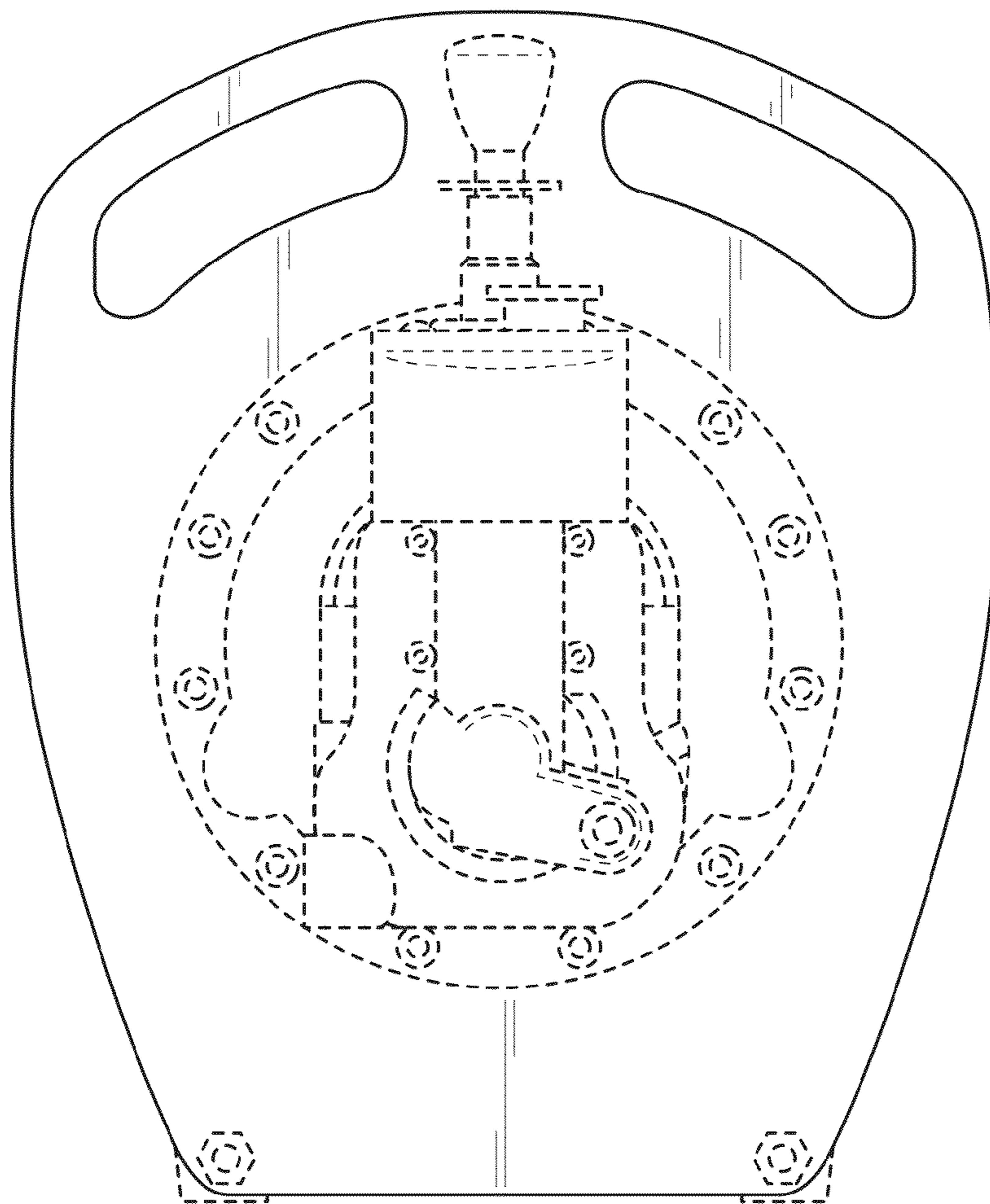


FIG. 3

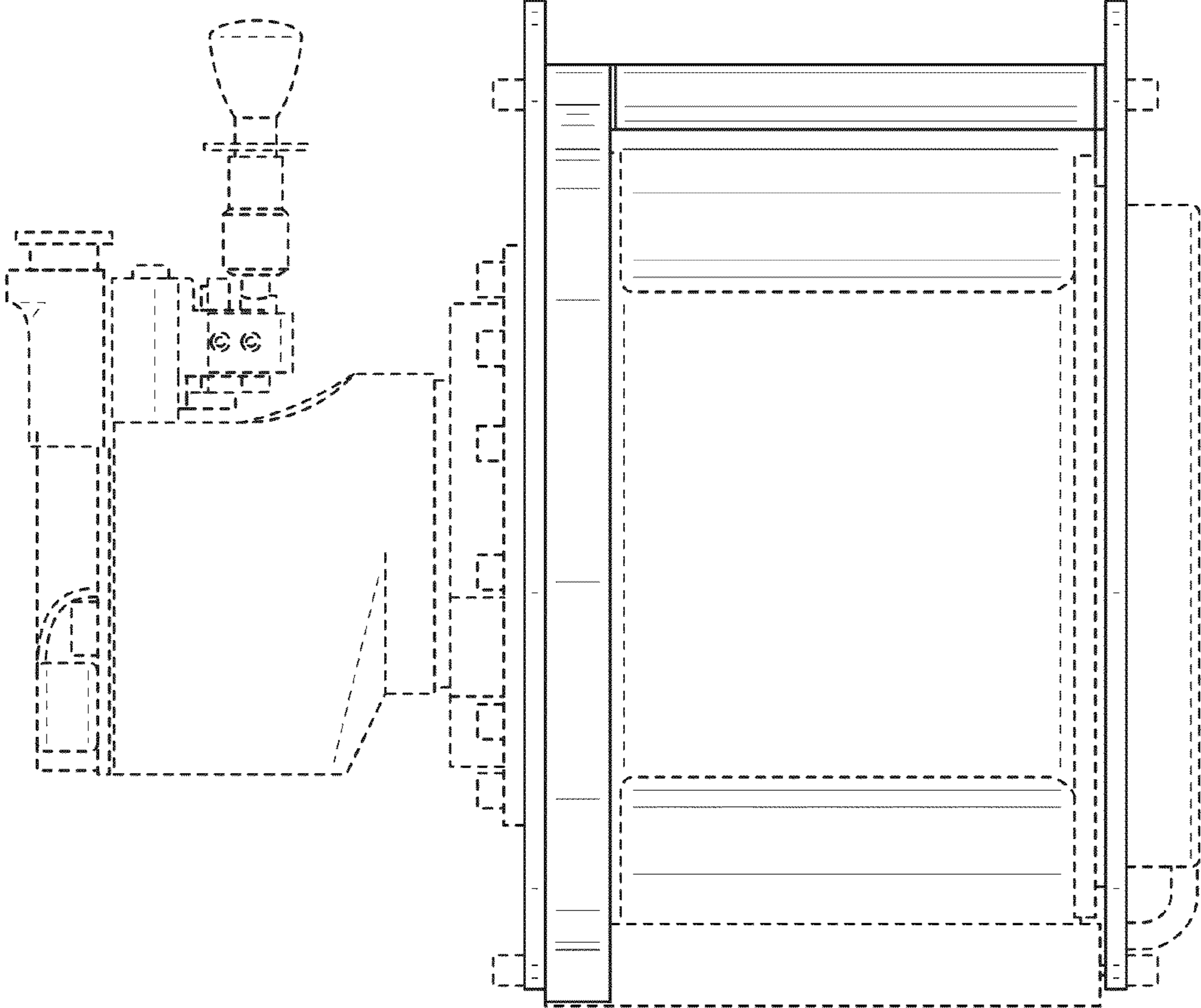


FIG. 4

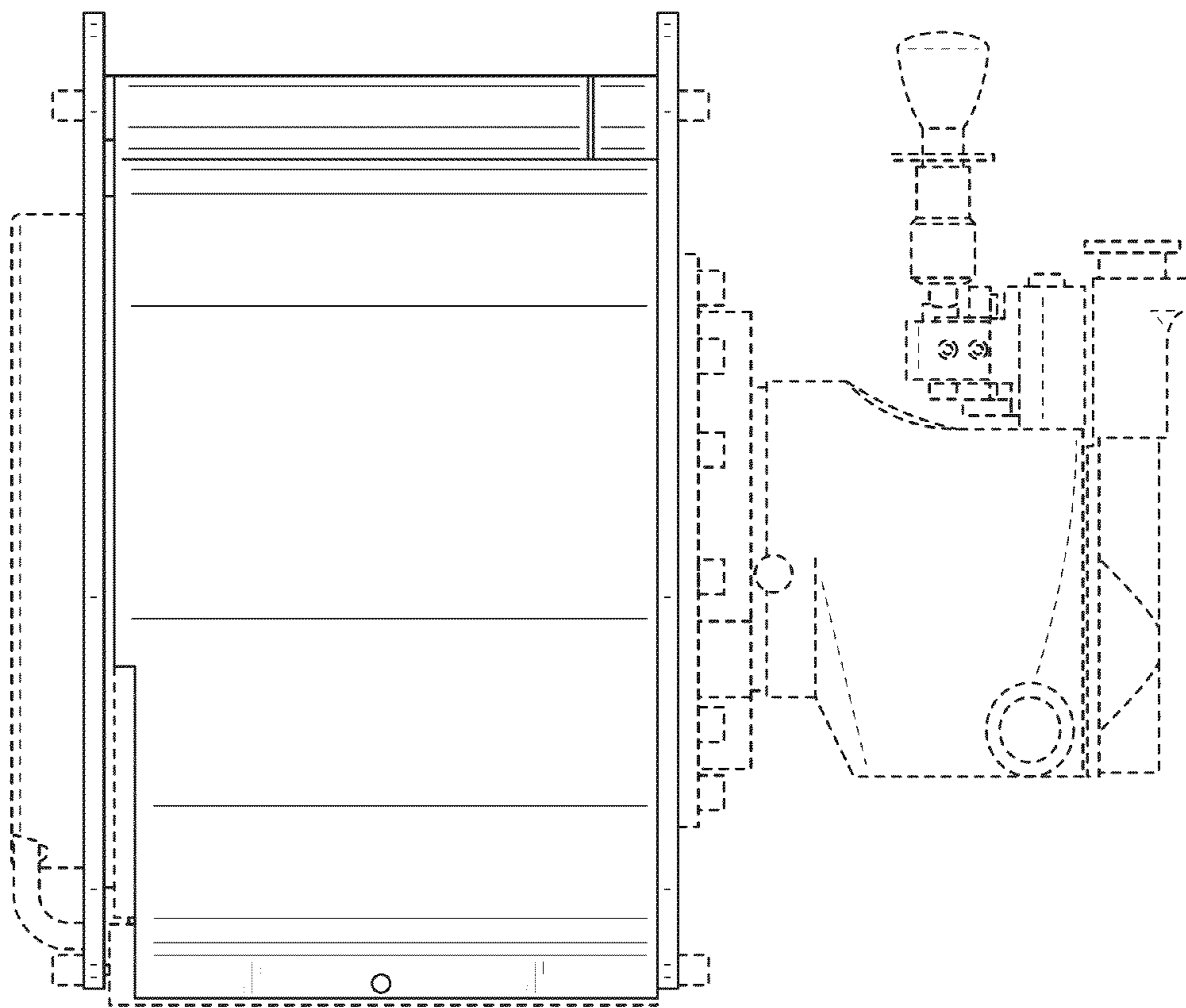


FIG. 5

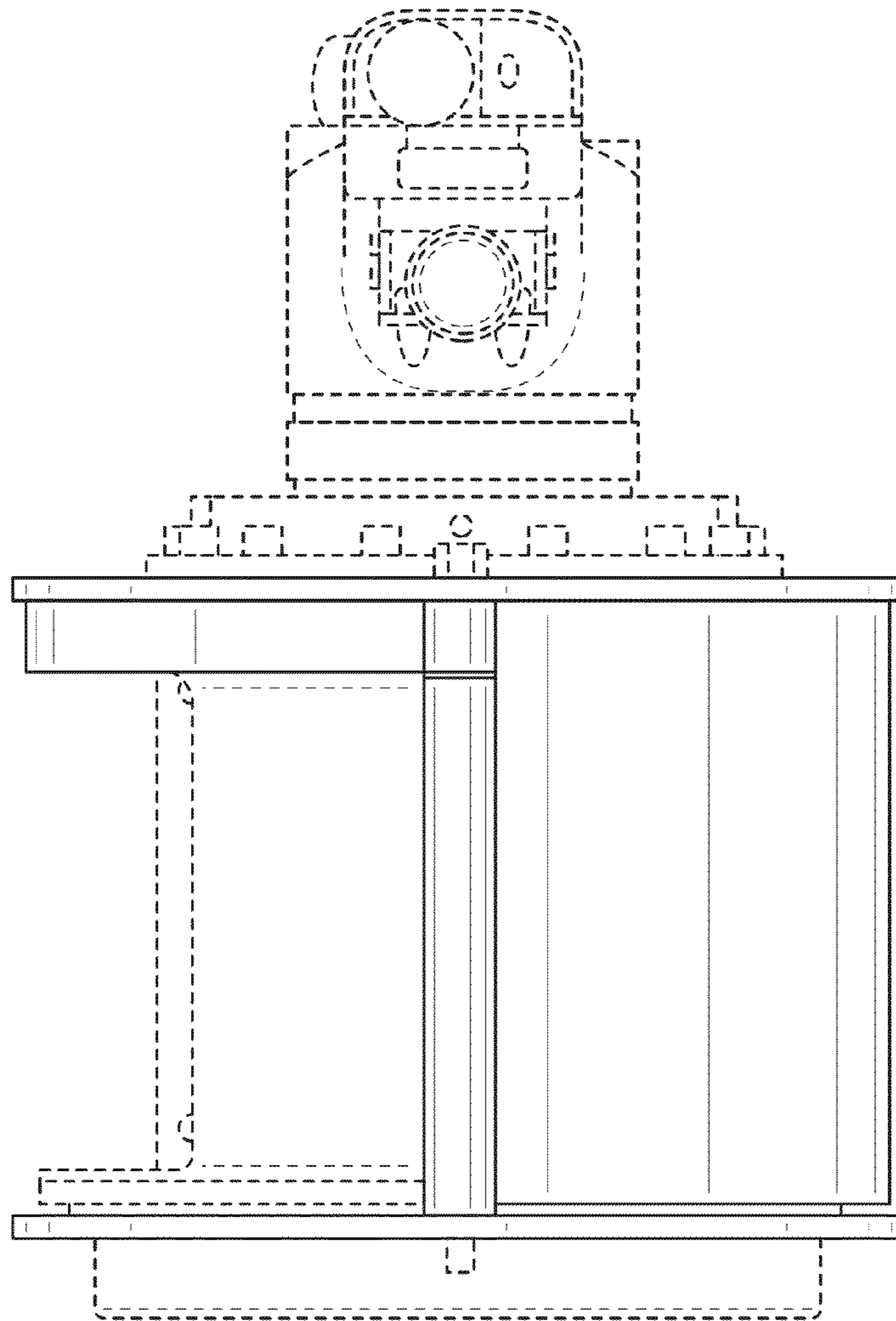


FIG. 6

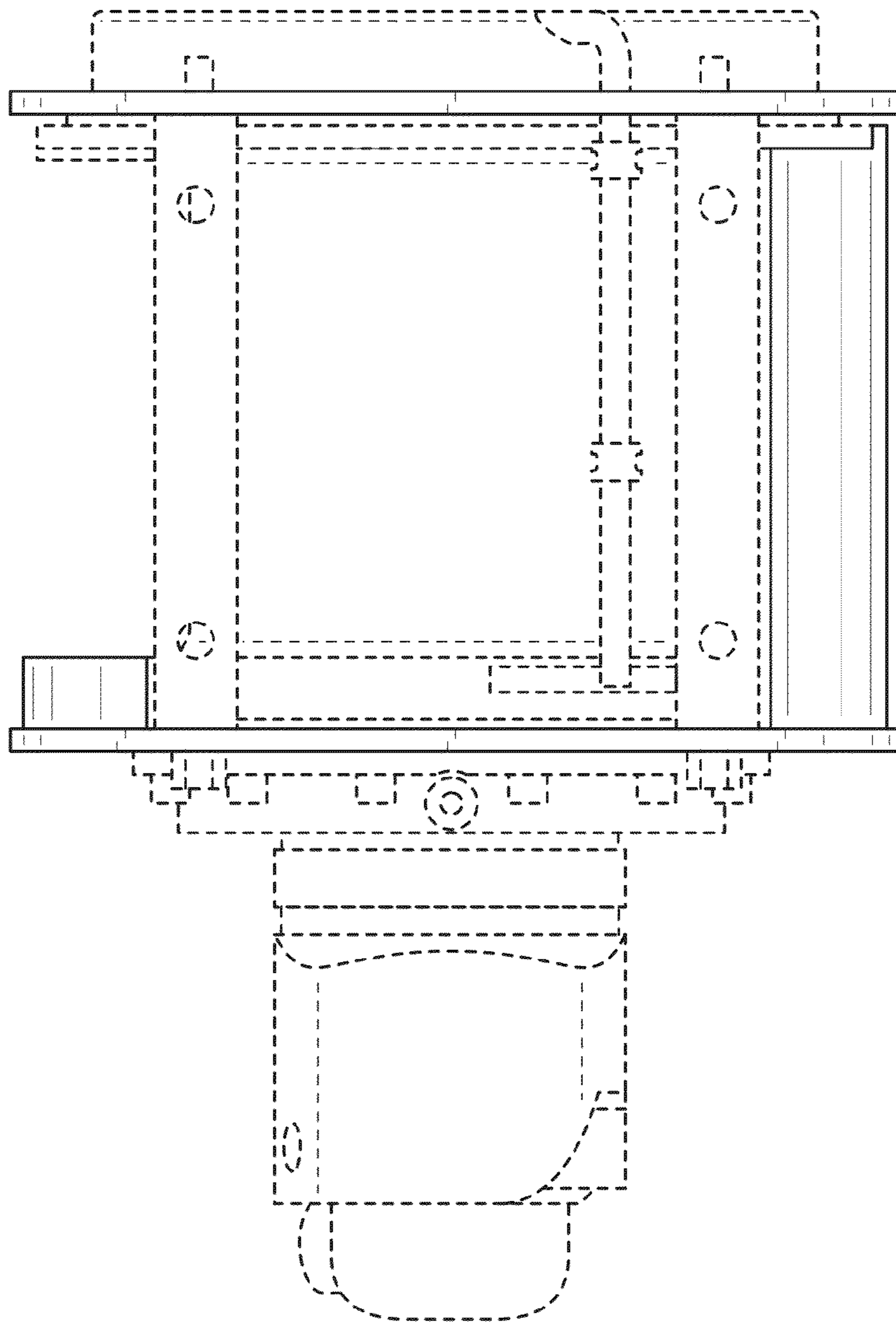


FIG. 7