



US00D721213S

(12) **United States Design Patent**  
**Hamilton**

(10) **Patent No.:** **US D721,213 S**  
(45) **Date of Patent:** **\*\* Jan. 13, 2015**

- (54) **SCRAPER**
- (71) Applicant: **Terry Hamilton**, Cypress, CA (US)
- (72) Inventor: **Terry Hamilton**, Cypress, CA (US)
- (\*\*) Term: **14 Years**
- (21) Appl. No.: **29/476,002**
- (22) Filed: **Dec. 10, 2013**
- (51) **LOC (10) Cl.** ..... **08-05**
- (52) **U.S. Cl.**  
USPC ..... **D32/46; D32/49**
- (58) **Field of Classification Search**  
USPC ..... D32/46, 49; D8/14, 45, 46, 47, 105, 98,  
D8/90; D7/682; 30/169, 167, 278, 280,  
30/287; 15/105, 236.01–236.09, 245.1;  
D4/136; 7/105; D3/7  
See application file for complete search history.

D424,767	S	5/2000	Shea	
6,199,245	B1 *	3/2001	Blessing	16/430
D440,396	S *	4/2001	Isaacson	D3/7
6,237,225	B1 *	5/2001	Tarrant	30/169
D460,232	S *	7/2002	Weihrauch	D32/50
D471,334	S *	3/2003	Reede	D32/50
6,629,331	B2	10/2003	Panfili et al.	
6,684,459	B2 *	2/2004	Dickhaus	16/430
D500,239	S *	12/2004	Parker et al.	D8/89
7,065,838	B2 *	6/2006	Mitchell et al.	16/436
7,093,667	B2	8/2006	Hurt	
D544,667	S *	6/2007	Nelson et al.	D32/50
D547,069	S *	7/2007	Braithwaite et al.	D4/137
D547,157	S *	7/2007	Strickland et al.	D8/107
D549,415	S *	8/2007	Trotter et al.	D32/50
D564,422	S *	3/2008	Harriss et al.	D12/133
D576,367	S *	9/2008	Anderson et al.	D32/50
D588,318	S *	3/2009	van Deursen et al.	D32/49
D589,668	S *	3/2009	Byrne	D32/50
7,540,056	B2 *	6/2009	Dotterman et al.	15/228
D599,518	S *	9/2009	Vrdoljak	D32/40
D602,664	S *	10/2009	Crawford et al.	D32/40
D606,719	S *	12/2009	Robertson et al.	D32/50
D611,212	S *	3/2010	Kaminer et al.	D32/40

(Continued)

(56) **References Cited**

U.S. PATENT DOCUMENTS

D105,214	S *	7/1937	Genung	D8/12
D235,965	S *	7/1975	Grinnell et al.	D32/49
D245,473	S *	8/1977	Heninger	D32/50
D280,248	S *	8/1985	Hanson, Jr.	D32/50
4,682,558	A *	7/1987	Broersz	114/222
4,690,447	A *	9/1987	Adams	294/57
D305,818	S	1/1990	Chen	
4,962,561	A *	10/1990	Hamilton	15/111
D349,407	S *	8/1994	White	D4/118
D352,872	S	11/1994	Crockett	
5,390,687	A *	2/1995	Tsai	135/65
D368,999	S	4/1996	Chen	
5,533,536	A *	7/1996	Hong	135/65
D374,750	S *	10/1996	Vanderhoef et al.	D32/50
5,640,985	A *	6/1997	Snyder et al.	135/65
5,771,535	A *	6/1998	Blessing	16/430
D405,573	S *	2/1999	Tisbo et al.	D32/49
D408,126	S *	4/1999	Hunnicut et al.	D3/7
5,896,613	A *	4/1999	Courtney et al.	15/119.2
5,915,794	A *	6/1999	Neff	30/169

Primary Examiner — John Windmuller

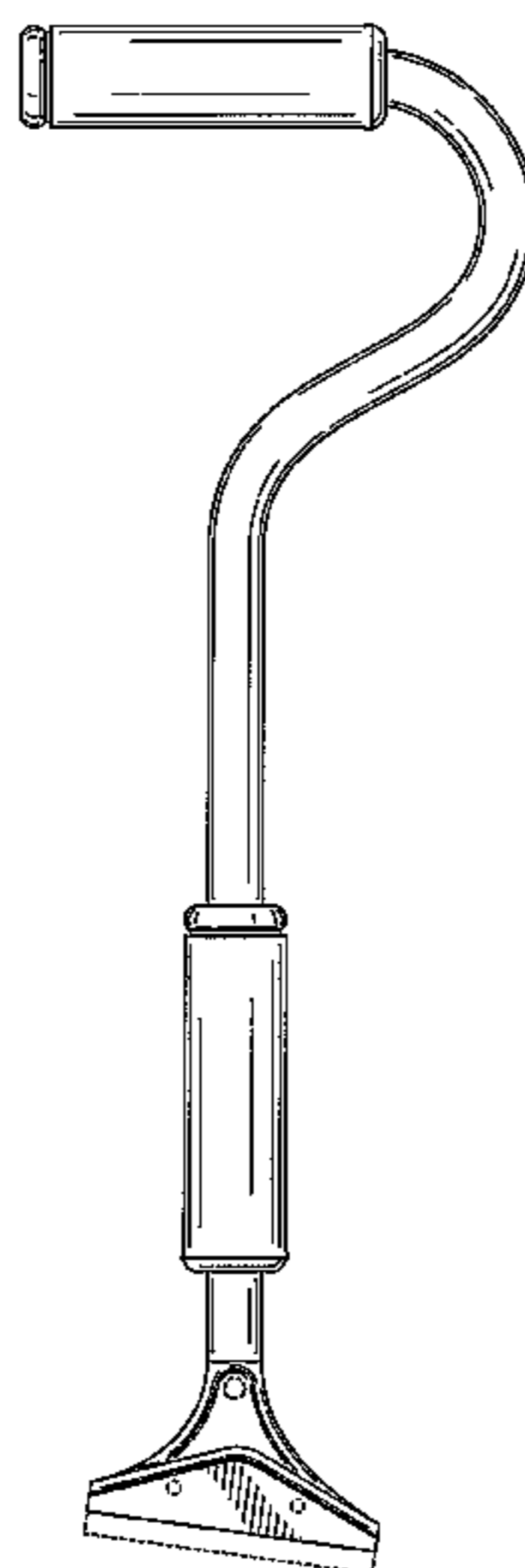
(57) **CLAIM**

The ornamental design for a scraper, as shown.

**DESCRIPTION**

FIG. 1 is a left perspective side view of a scraper showing my new design;  
 FIG. 2 is a front view thereof;  
 FIG. 3 is a back view thereof;  
 FIG. 4 is a left view thereof;  
 FIG. 5 is a right view thereof;  
 FIG. 6 is a top view thereof; and,  
 FIG. 7 is a bottom view thereof.  
 The broken lines shown in the drawings are included for the purpose of illustrating the blade portion of the scraper and form no part of the claimed design.

**1 Claim, 6 Drawing Sheets**



(56)

**References Cited**

U.S. PATENT DOCUMENTS

D611,214 S \* 3/2010 Kaminer et al. .... D32/50  
D615,261 S \* 5/2010 Bunnag ..... D32/49  
D615,262 S \* 5/2010 Bunnag et al. .... D32/49  
D617,516 S \* 6/2010 Cartrite ..... D32/49

D631,217 S \* 1/2011 Lavy ..... D32/45  
D632,069 S \* 2/2011 Thiessens ..... D3/7  
D634,497 S \* 3/2011 Robertson et al. .... D32/51  
7,930,831 B2 \* 4/2011 Lin ..... 30/169  
D647,677 S \* 10/2011 Dammkoehler ..... D32/51  
D702,906 S \* 4/2014 Michels et al. .... D32/50  
D703,404 S \* 4/2014 Murri ..... D32/40  
\* cited by examiner

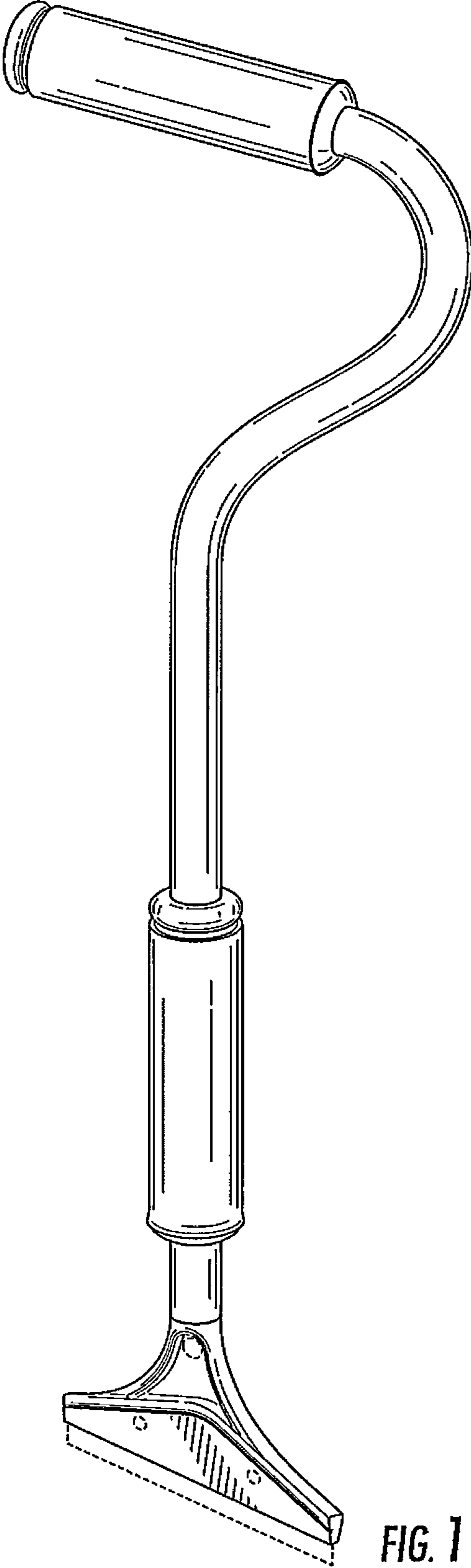


FIG. 1

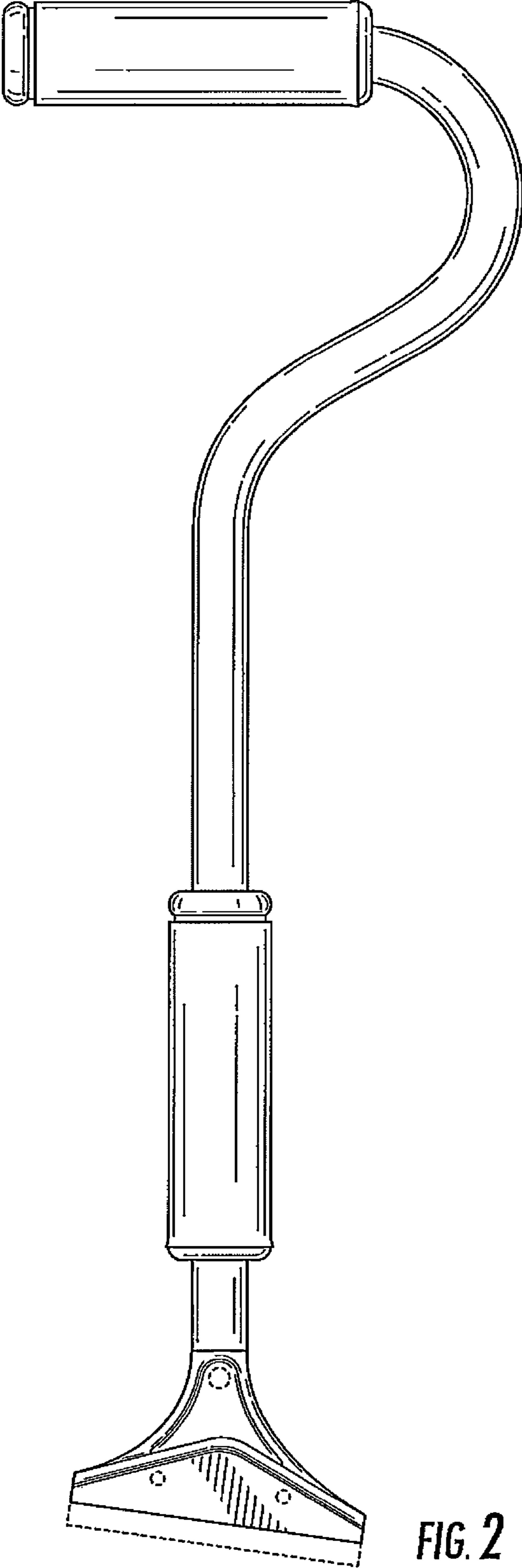


FIG. 2

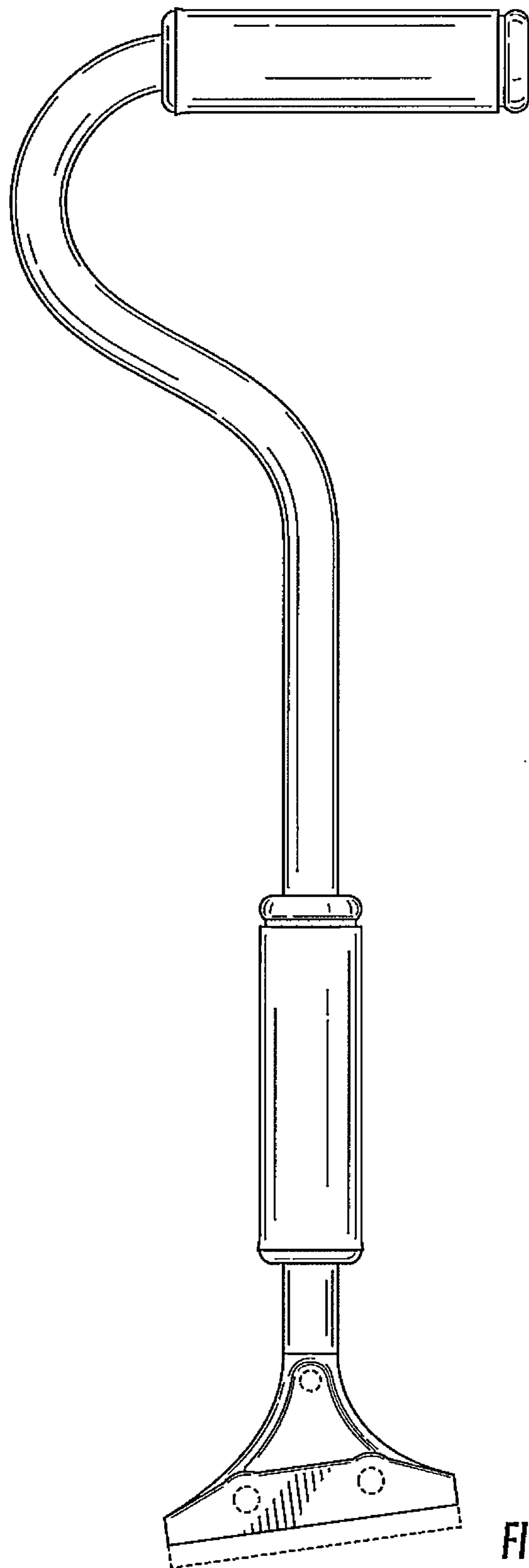


FIG. 3

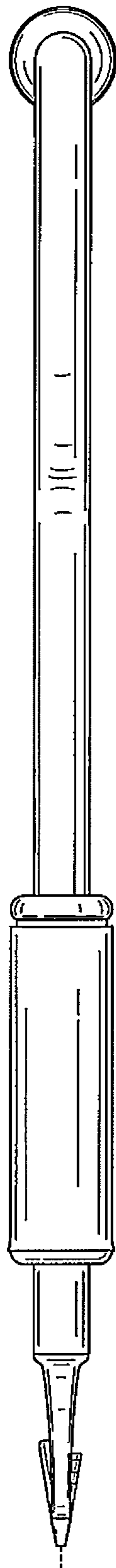


FIG. 4

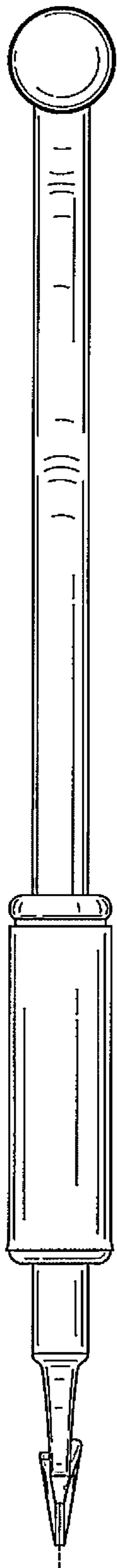


FIG. 5

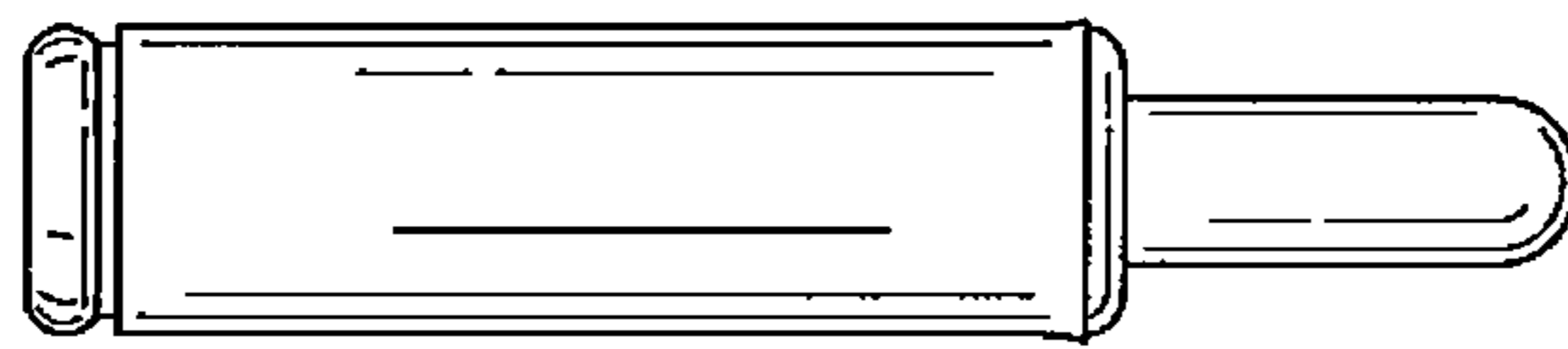


FIG. 6

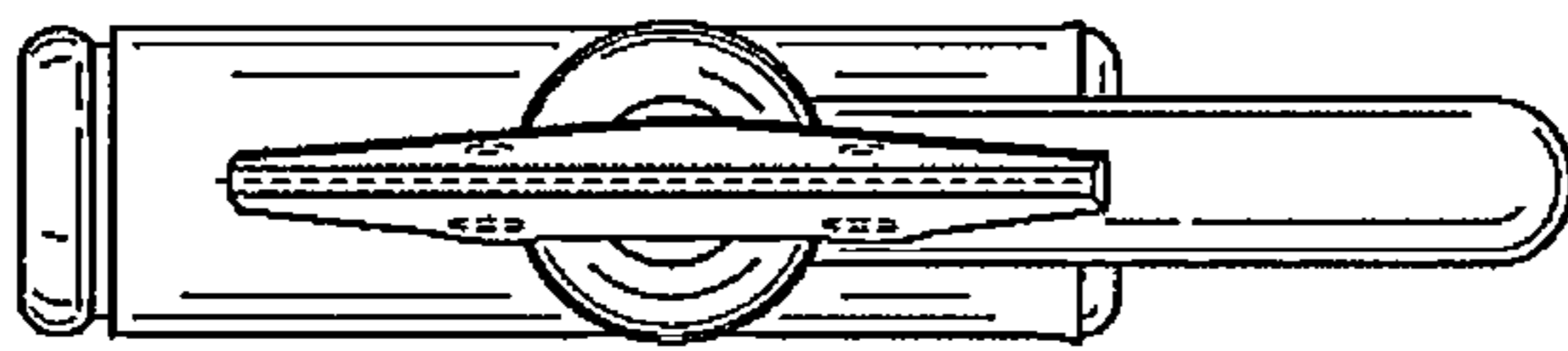


FIG. 7