



US00D721209S

(12) **United States Design Patent**
Hove et al.

(10) **Patent No.:** **US D721,209 S**
(45) **Date of Patent:** **** Jan. 13, 2015**

(54) **PET FEEDER**

(71) Applicants: **Craig Hove**, Santa Barbara, CA (US);
Todd Hove, La Mesa, CA (US)

(72) Inventors: **Craig Hove**, Santa Barbara, CA (US);
Todd Hove, La Mesa, CA (US)

(**) Term: **14 Years**

(21) Appl. No.: **29/484,512**

(22) Filed: **Mar. 10, 2014**

(51) **LOC (10) Cl.** **30-03**

(52) **U.S. Cl.**
USPC **D30/133**

(58) **Field of Classification Search**
USPC D30/133, 121, 128, 130, 132; 119/52.1,
119/55, 61.5-61.56; D6/480-485; 248/188;
312/204; 108/153.1-157

See application file for complete search history.

(56) **References Cited**

U.S. PATENT DOCUMENTS

D237,787	S	*	11/1975	Weyrich, Jr.	D34/24
4,044,723	A	*	8/1977	Fitzpatrick	119/61.5
D258,018	S	*	1/1981	Venditto et al.	D30/130
4,658,759	A	*	4/1987	Brown	119/61.5
D340,552	S	*	10/1993	Smith	D30/121
D477,691	S	*	7/2003	Crowley	D30/131
D506,294	S	*	6/2005	Boje	D30/133

7,341,019	B1	*	3/2008	Tsengas	119/61.5
7,658,267	B1	*	2/2010	Welsh	182/181.1
D618,862	S	*	6/2010	Shamoon et al.	D30/133
D653,001	S	*	1/2012	Tsengas	D30/133
D670,452	S	*	11/2012	Caruso	D30/133
2003/0106498	A1	*	6/2003	Mersits et al.	119/61
2005/0115508	A1	*	6/2005	Little	119/61.5
2006/0075974	A1	*	4/2006	Kennedy	119/61.5
2008/0190372	A1	*	8/2008	Horvath	119/61.56
2010/0162961	A1	*	7/2010	Hove et al.	119/51.5
2010/0300365	A1	*	12/2010	Weinblatt	119/61.5

* cited by examiner

Primary Examiner — Susan Moon Lee

(74) *Attorney, Agent, or Firm* — Gary L. Loomis; G. L. Loomis & Assoc., Inc.

(57) **CLAIM**

The ornamental design for a pet feeder, as shown and described.

DESCRIPTION

FIG. 1 is a perspective view of the pet feeder showing the new design; wherein the feeding bowls shown by broken lines are illustrative of the use of the feeder and are not part of the claimed design.

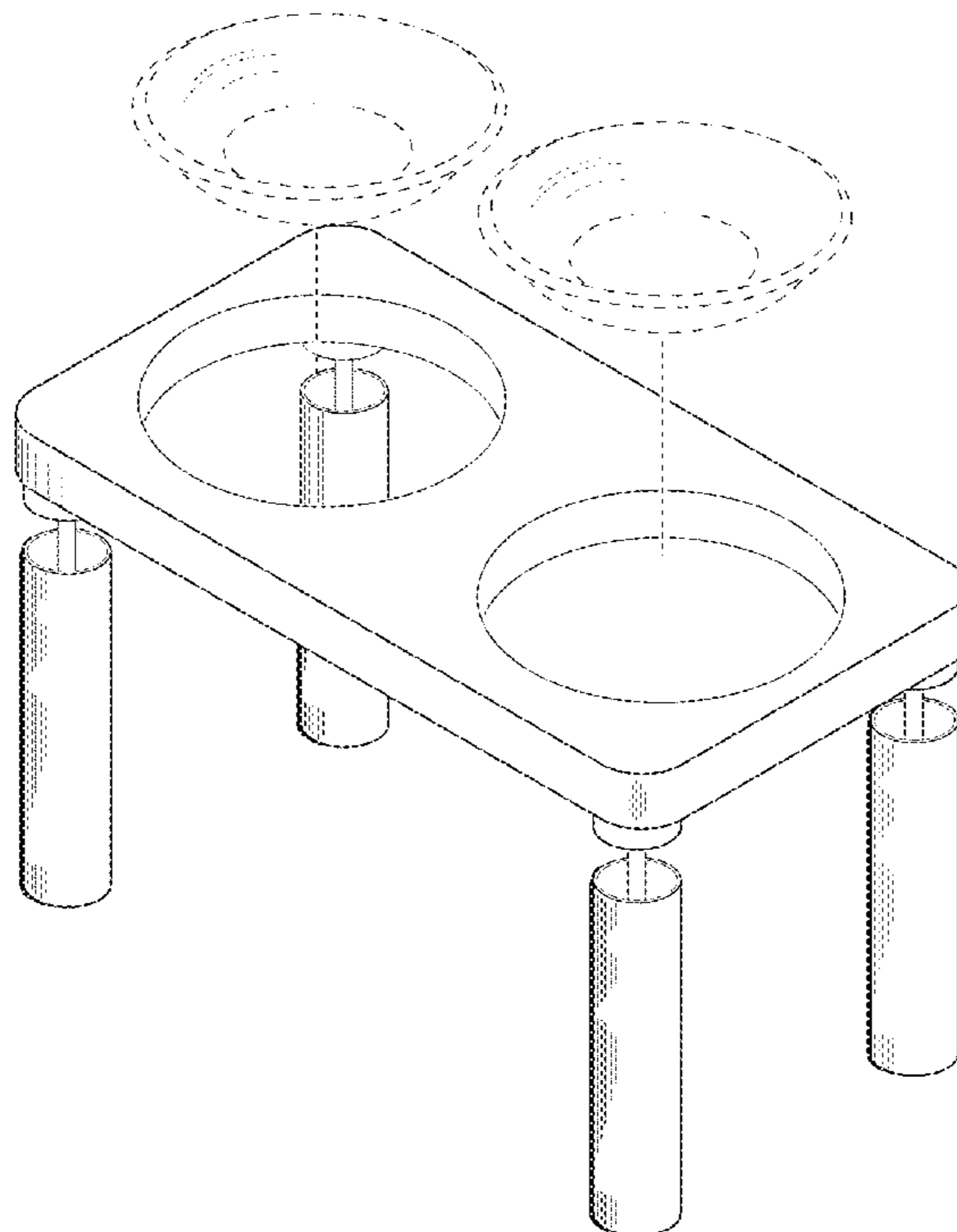
FIG. 2 is a top orthogonal view of the pet feeder.

FIG. 3 is an end orthogonal view of the pet feeder; and,

FIG. 4 is a frontal orthogonal view of the pet feeder.

Broken lines and entirely unshaded portions contained within broken line are not claimed.

1 Claim, 2 Drawing Sheets



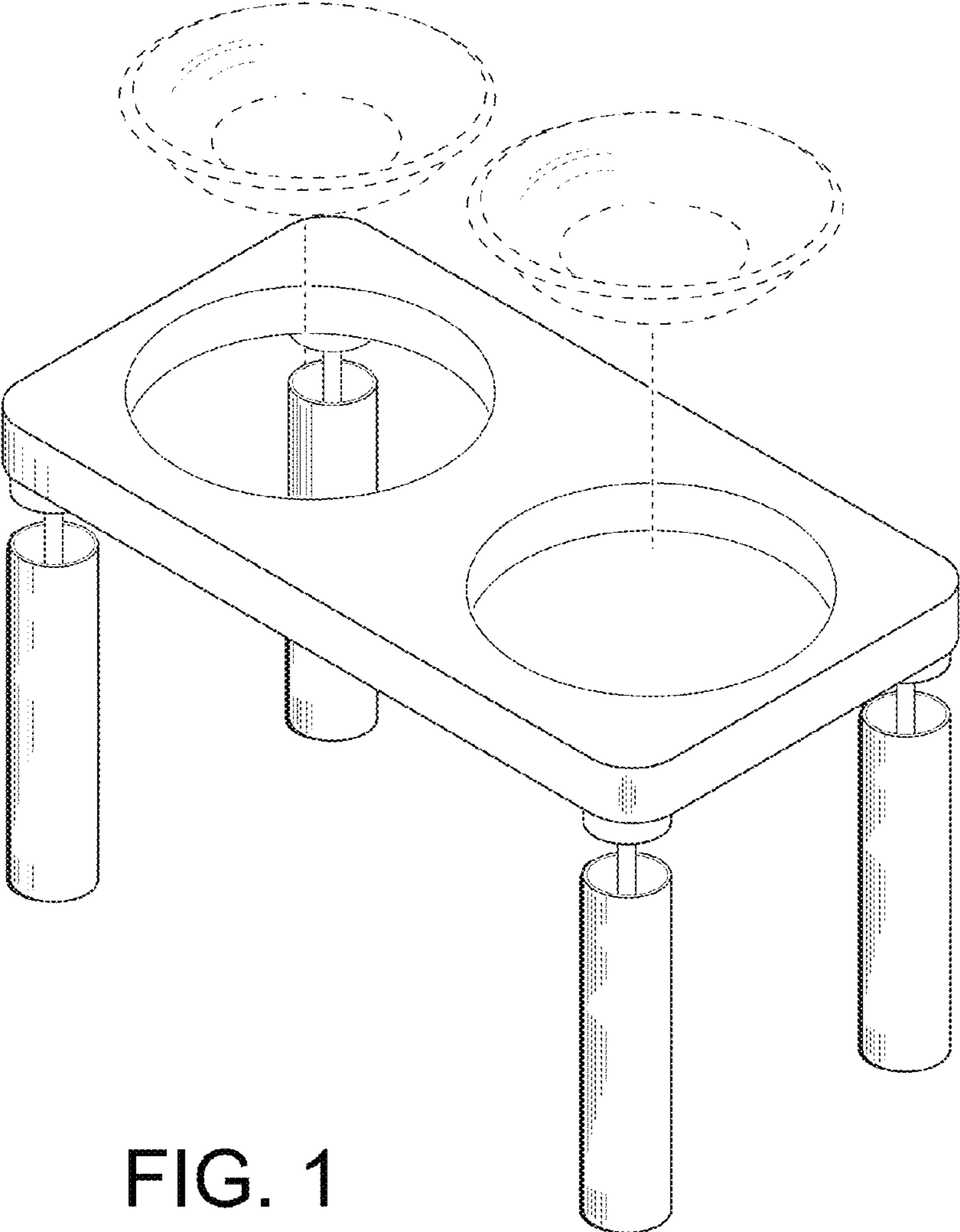


FIG. 1

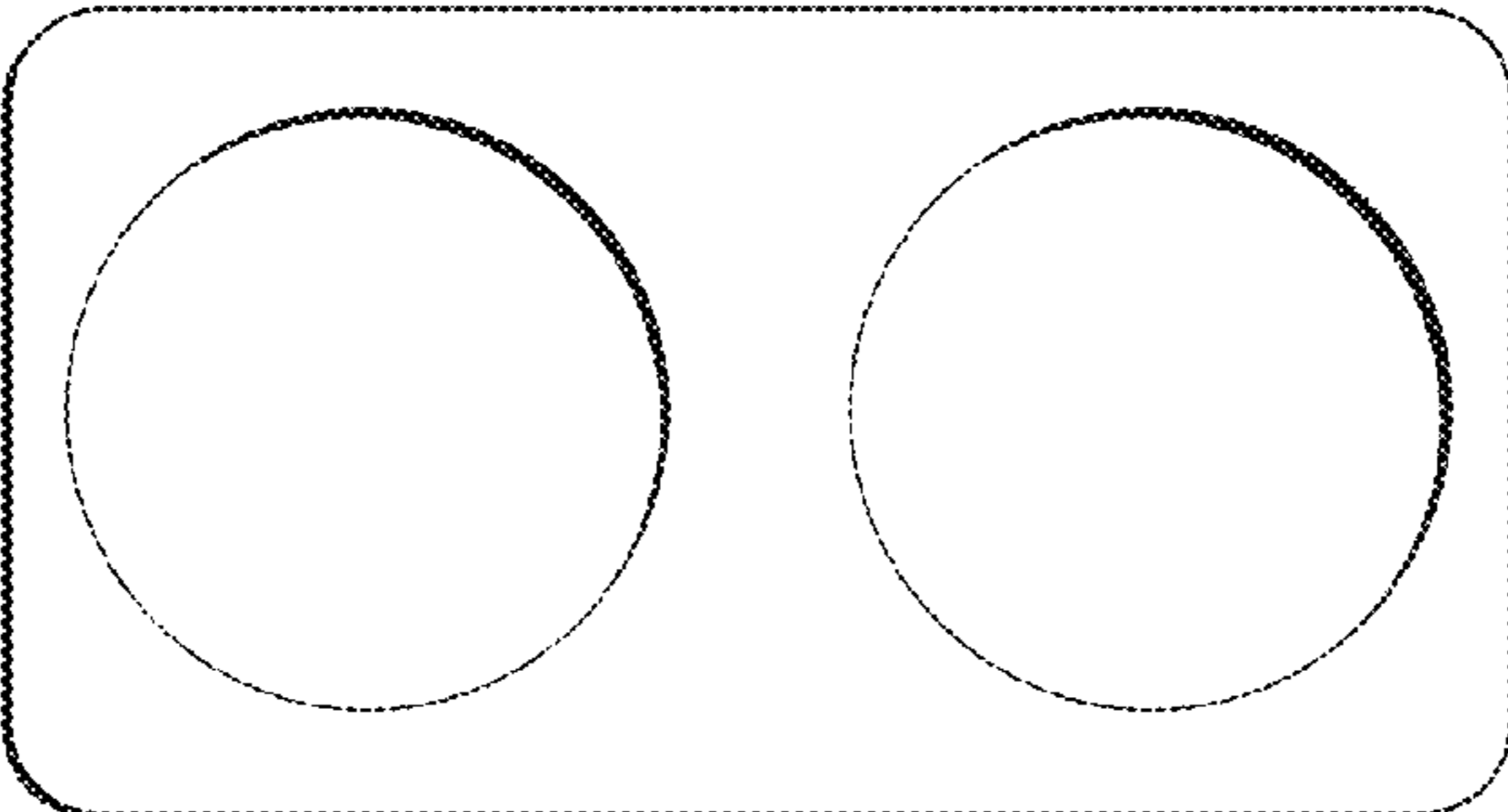


FIG. 2

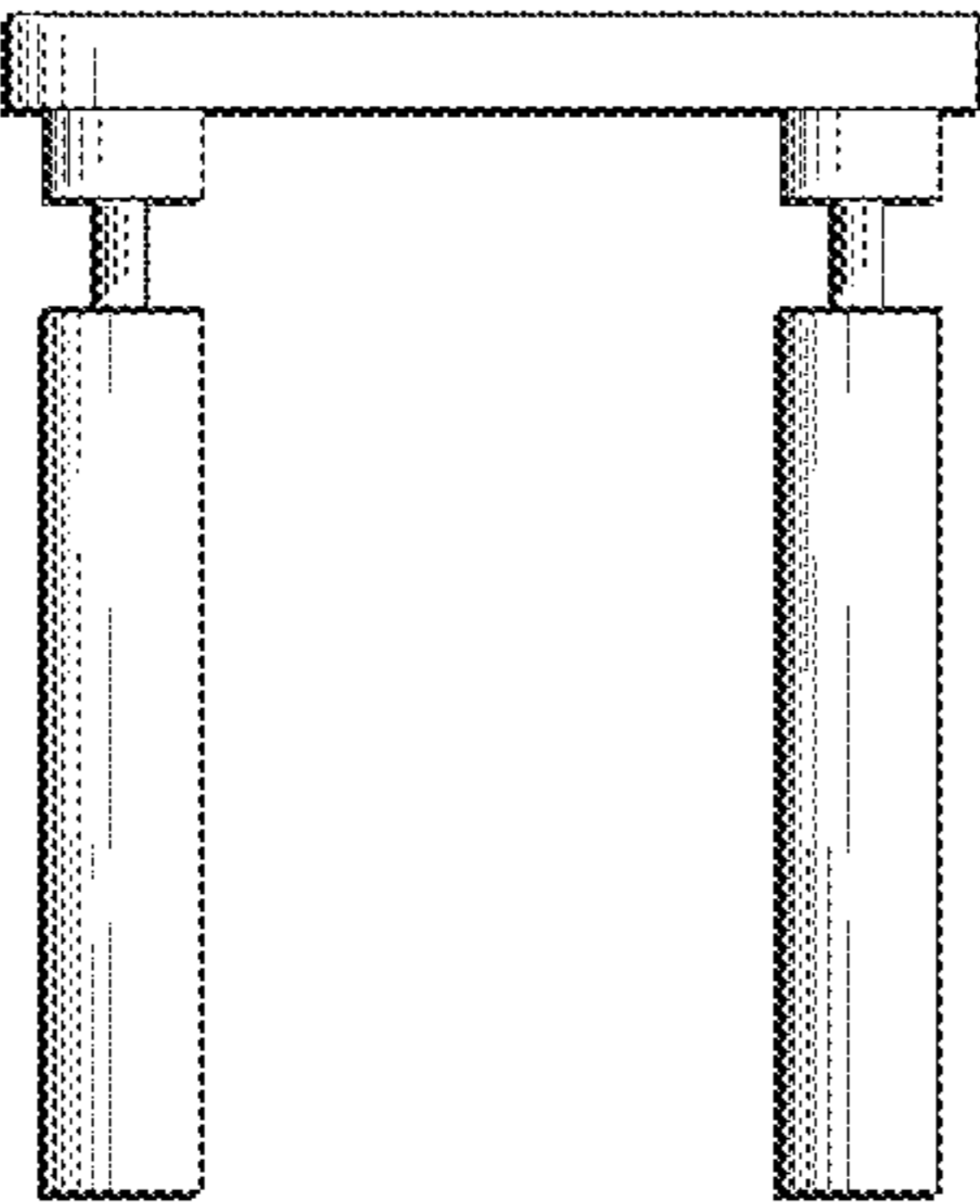


FIG. 3

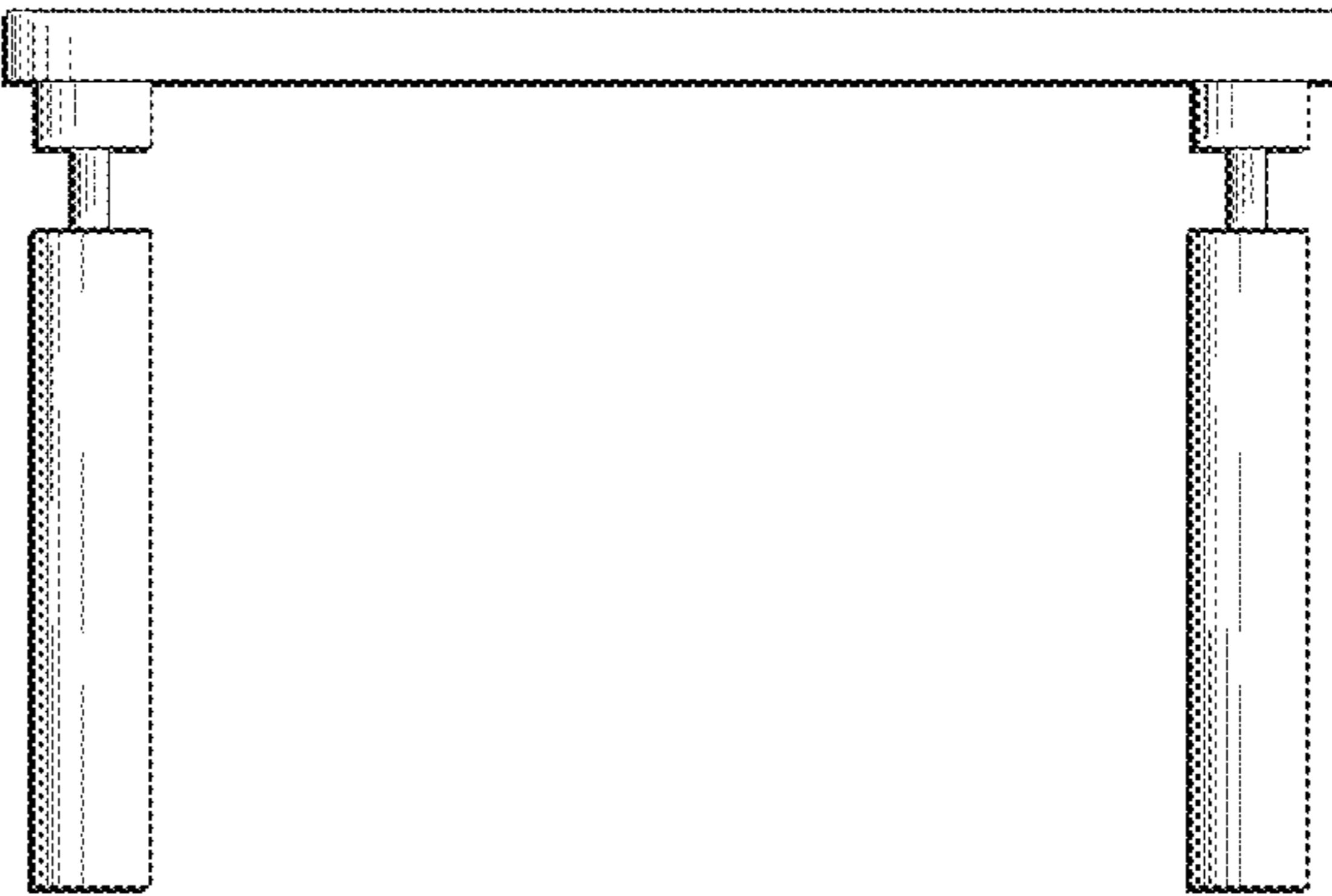


FIG. 4