



US00D721207S

(12) **United States Design Patent**
Diskin et al.

(10) **Patent No.:** **US D721,207 S**
(45) **Date of Patent:** **** Jan. 13, 2015**

(54) **MURPHY DOG BED**

(71) Applicant: **Worldwise, Inc.**, San Rafael, CA (US)

(72) Inventors: **Aimee Diskin**, Napa, CA (US); **Sara Paculdo**, Novato, CA (US); **Regina Chern**, Danville, CA (US)

(73) Assignee: **Worldwise, Inc.**, San Rafael, CA (US)

(**) Term: **14 Years**

(21) Appl. No.: **29/467,957**

(22) Filed: **Sep. 25, 2013**

(51) **LOC (10) Cl.** **30-06**

(52) **U.S. Cl.**
USPC **D30/118; D6/384**

(58) **Field of Classification Search**
USPC D30/118; D6/382-384, 388, 392-393,
D6/596, 604; 119/28.5; 5/136
See application file for complete search history.

(56) **References Cited**

U.S. PATENT DOCUMENTS

19,449	A *	2/1858	Robbins	5/498
219,078	A *	9/1879	Dupre	5/166.2
D16,986	S *	11/1886	Matuska	D6/392
3,618,568	A *	11/1971	Breeden	119/482
4,198,718	A *	4/1980	Ballard	5/93.2
5,184,568	A *	2/1993	Healey	119/482
5,211,130	A *	5/1993	Elias et al.	119/28.5
5,353,452	A *	10/1994	Rulis	5/136
D490,122	S *	5/2004	Box et al.	D21/520
D538,484	S *	3/2007	Xin et al.	D30/118
7,631,374	B2 *	12/2009	Paoutoff	5/136
7,937,787	B2 *	5/2011	Whitford	5/136
8,430,060	B2 *	4/2013	Hoffman et al.	119/28.5
8,662,014	B1 *	3/2014	Harrell	119/28.5
2005/0211175	A1 *	9/2005	Johnson	119/28.5
2006/0118051	A1 *	6/2006	Lima	119/28.5

OTHER PUBLICATIONS

<http://www.apartmenttherapy.com/pet-murphy-bed-37576>; Apartment Therapy; Pets At Home; Pet Murphy Bed; Nov. 30, 2007.*

* cited by examiner

Primary Examiner — Cathy A MacCormac

(74) *Attorney, Agent, or Firm* — Bay Area Technology Law Group PC

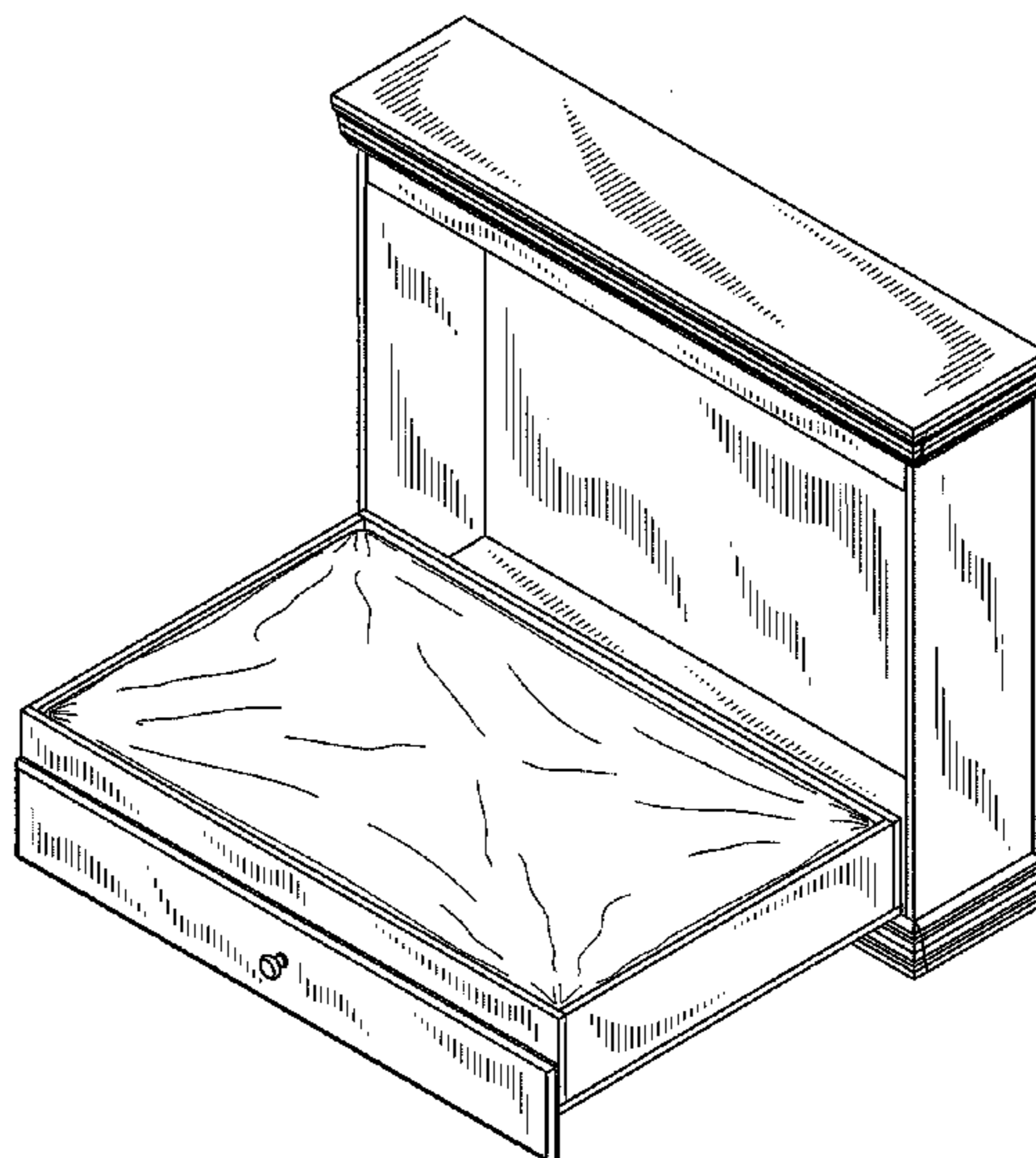
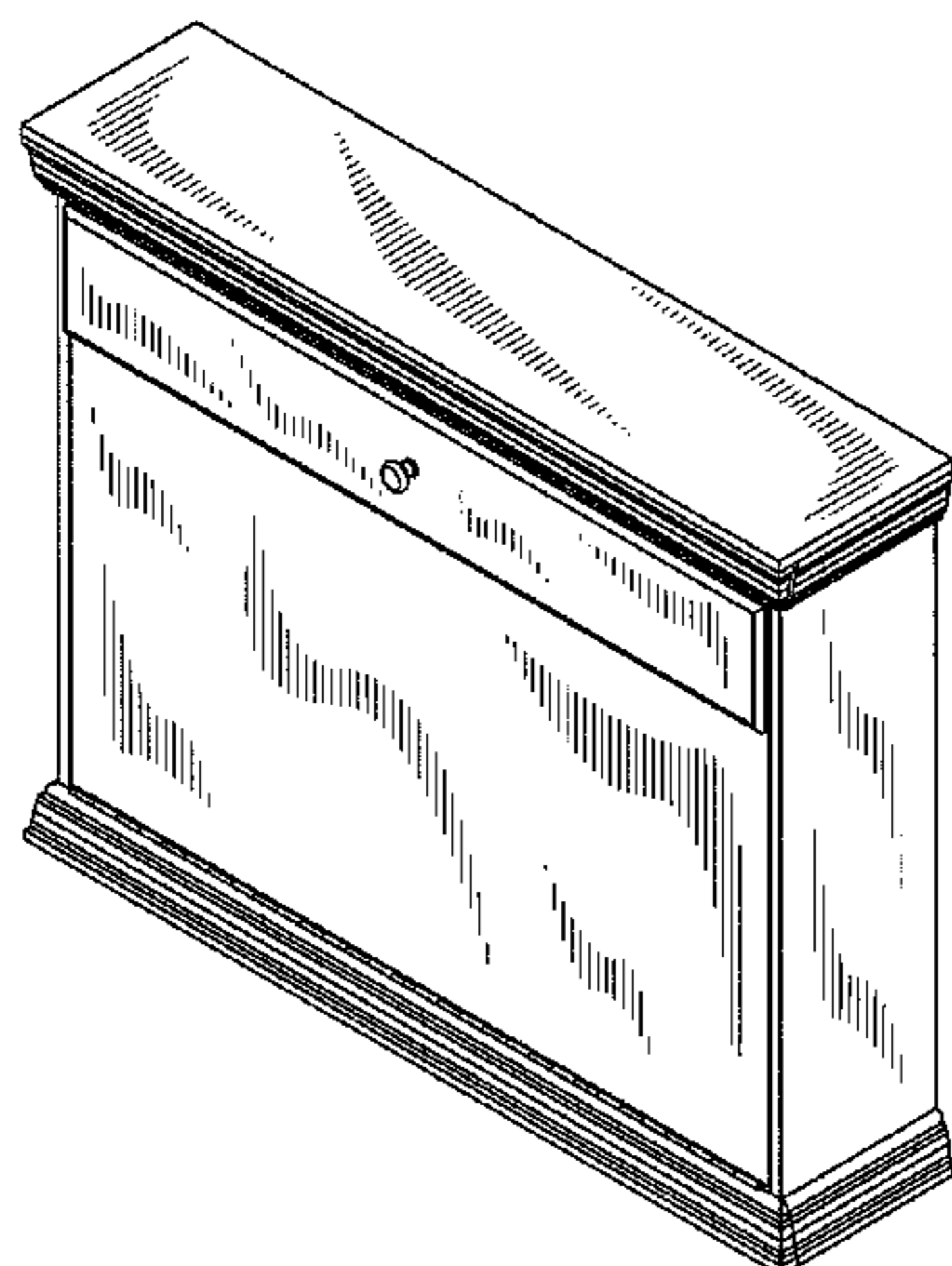
(57) **CLAIM**

The ornamental design for a Murphy dog bed, as shown and described.

DESCRIPTION

FIG. 1 is a perspective view of a Murphy dog bed showing our new design with the bed closed;
FIG. 2 is a front view of FIG. 1 with the bed closed;
FIG. 3 is a back view of FIG. 1;
FIG. 4 is a right side view of FIG. 1 with the bed closed;
FIG. 5 is a left side view of FIG. 1 with the bed closed;
FIG. 6 is a top plan view of FIG. 1 with the bed closed;
FIG. 7 is a bottom plan view with the bed open;
FIG. 8 is a perspective view showing the bed in open position;
FIG. 9 is a front view showing the bed in open position;
FIG. 10 is a right side view showing the bed in open position;
FIG. 11 is a left side view showing the bed in open position;
FIG. 12 is a top plan view showing the bed in open position;
and,
FIG. 13 is a bottom plan view showing the bed in open position.
The broken lines on FIG. 8 that represent a bracket behind the bed after it is folded down are for illustration only and form no part of the claimed design.

1 Claim, 7 Drawing Sheets



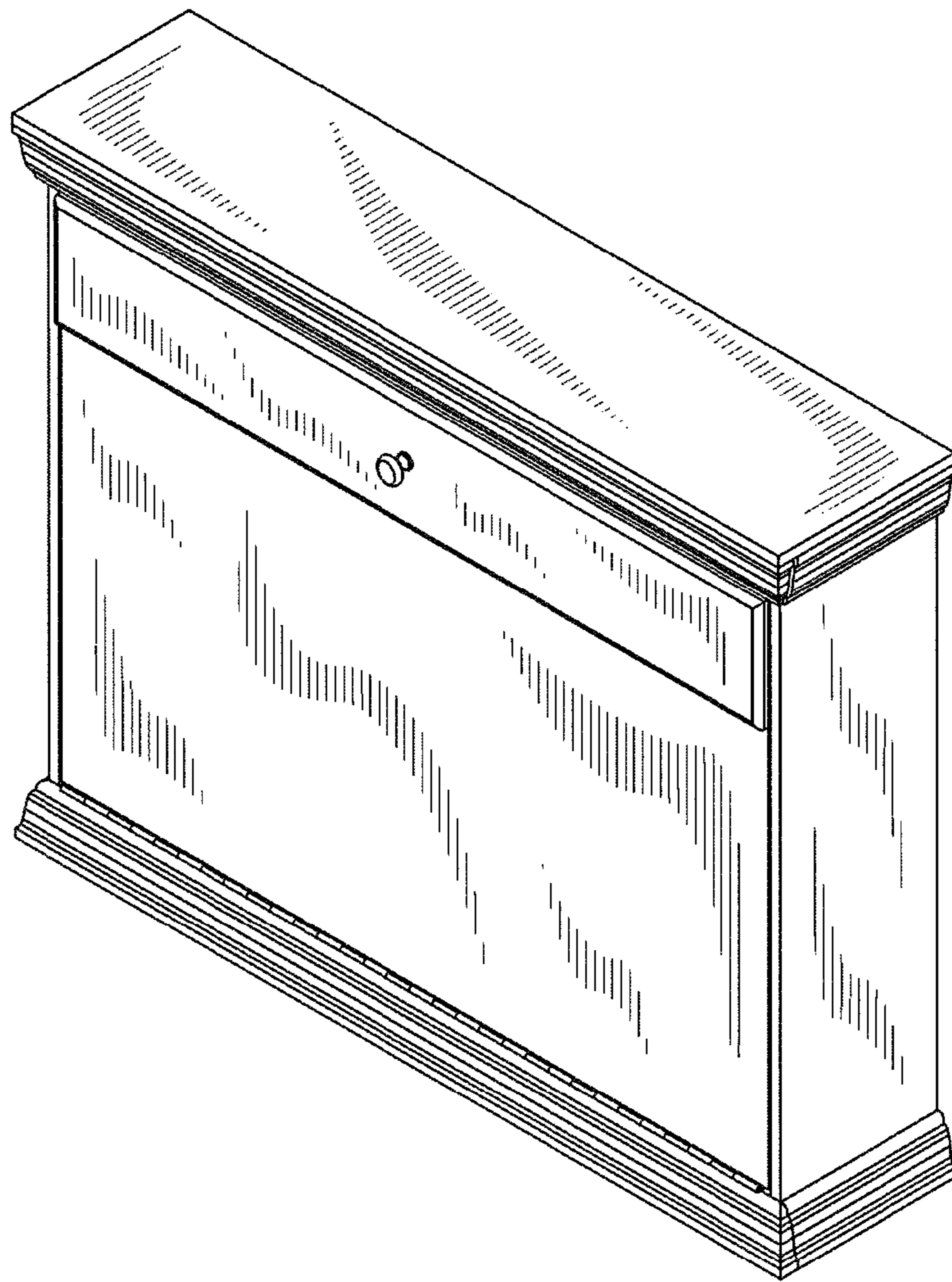


FIG. 1

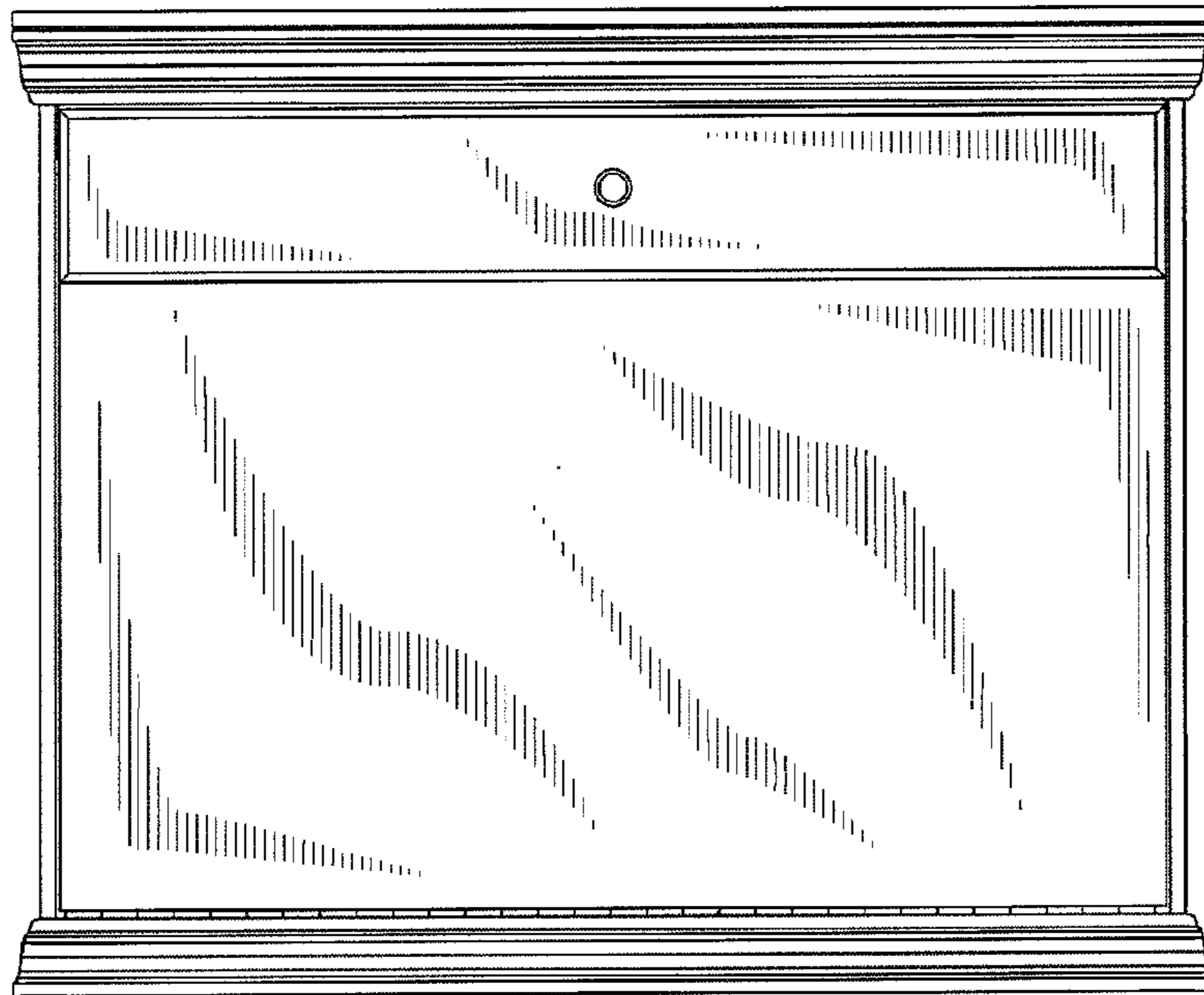


FIG. 2

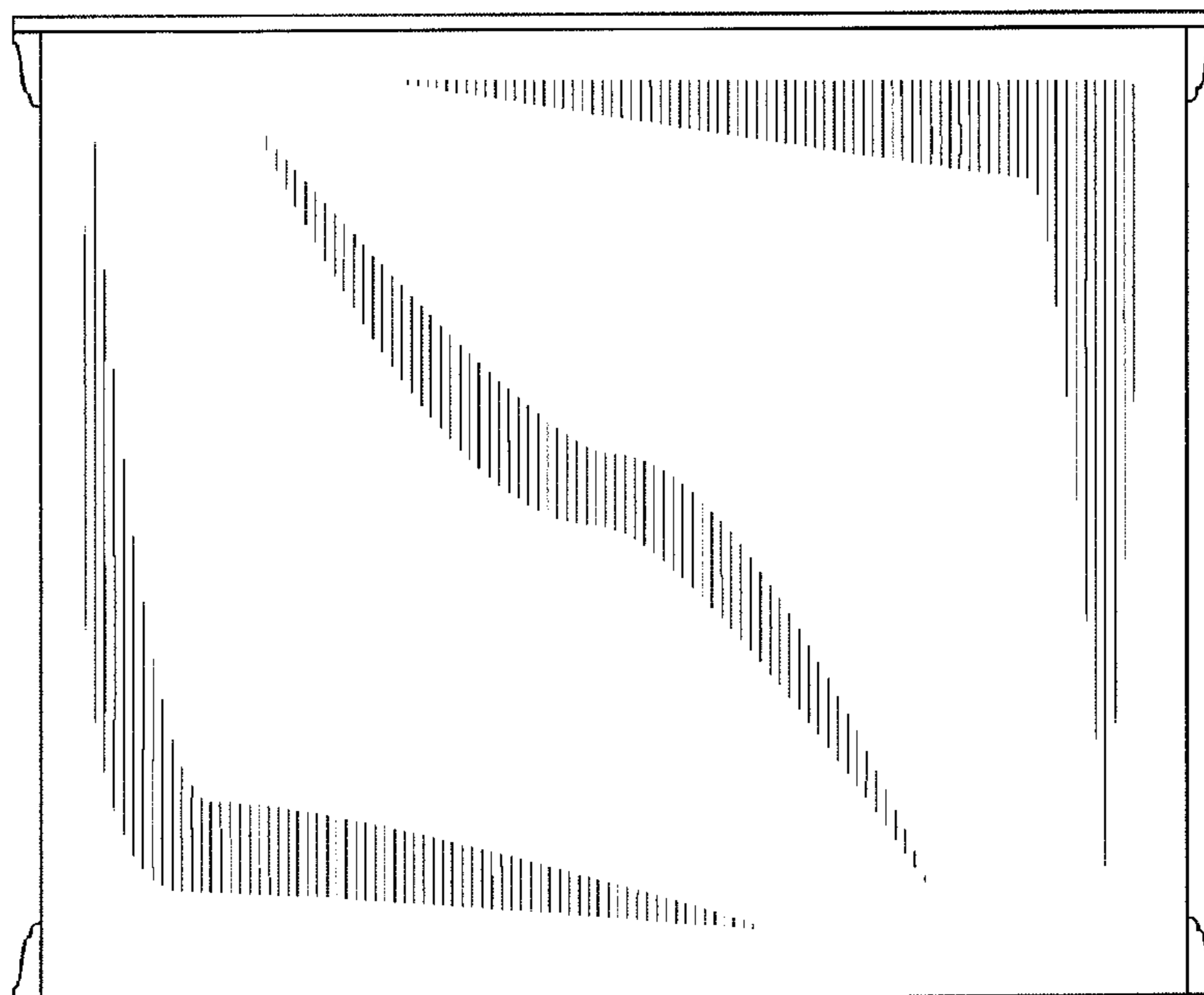


FIG. 3

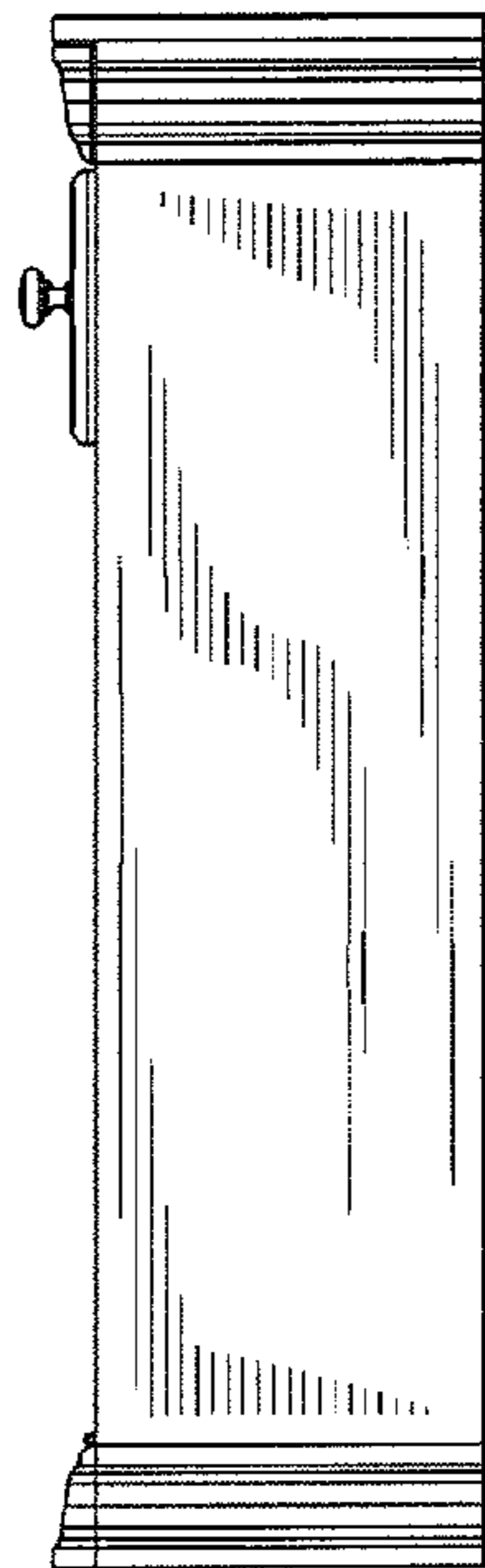


FIG. 4

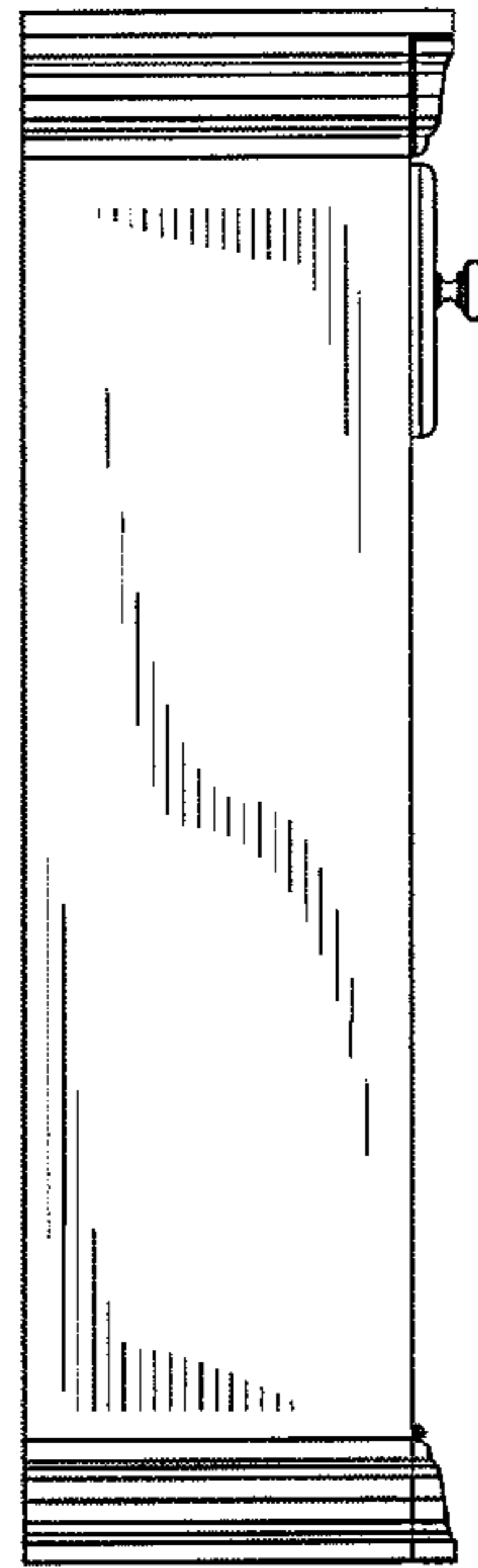


FIG. 5

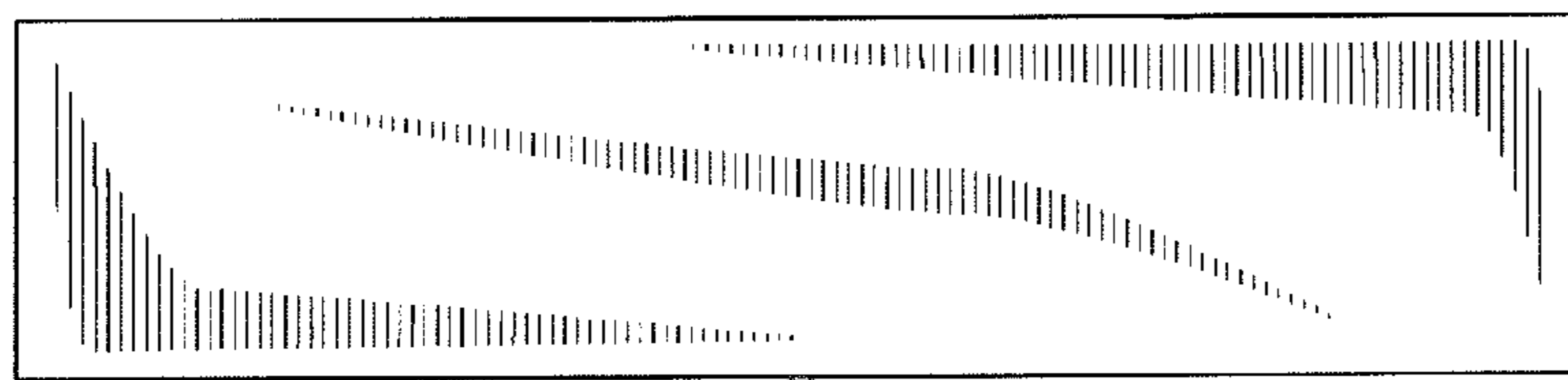


FIG. 6

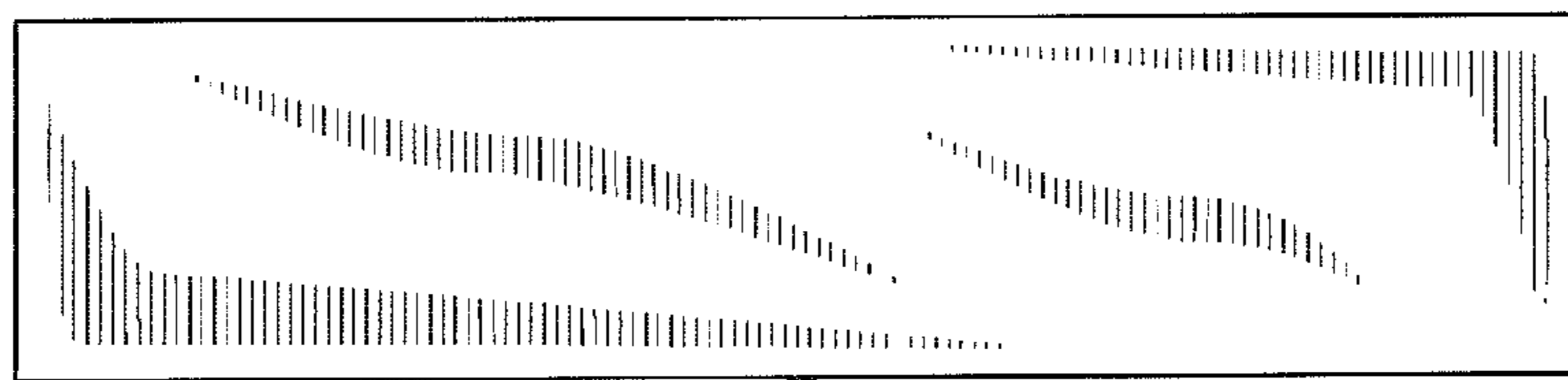


FIG. 7

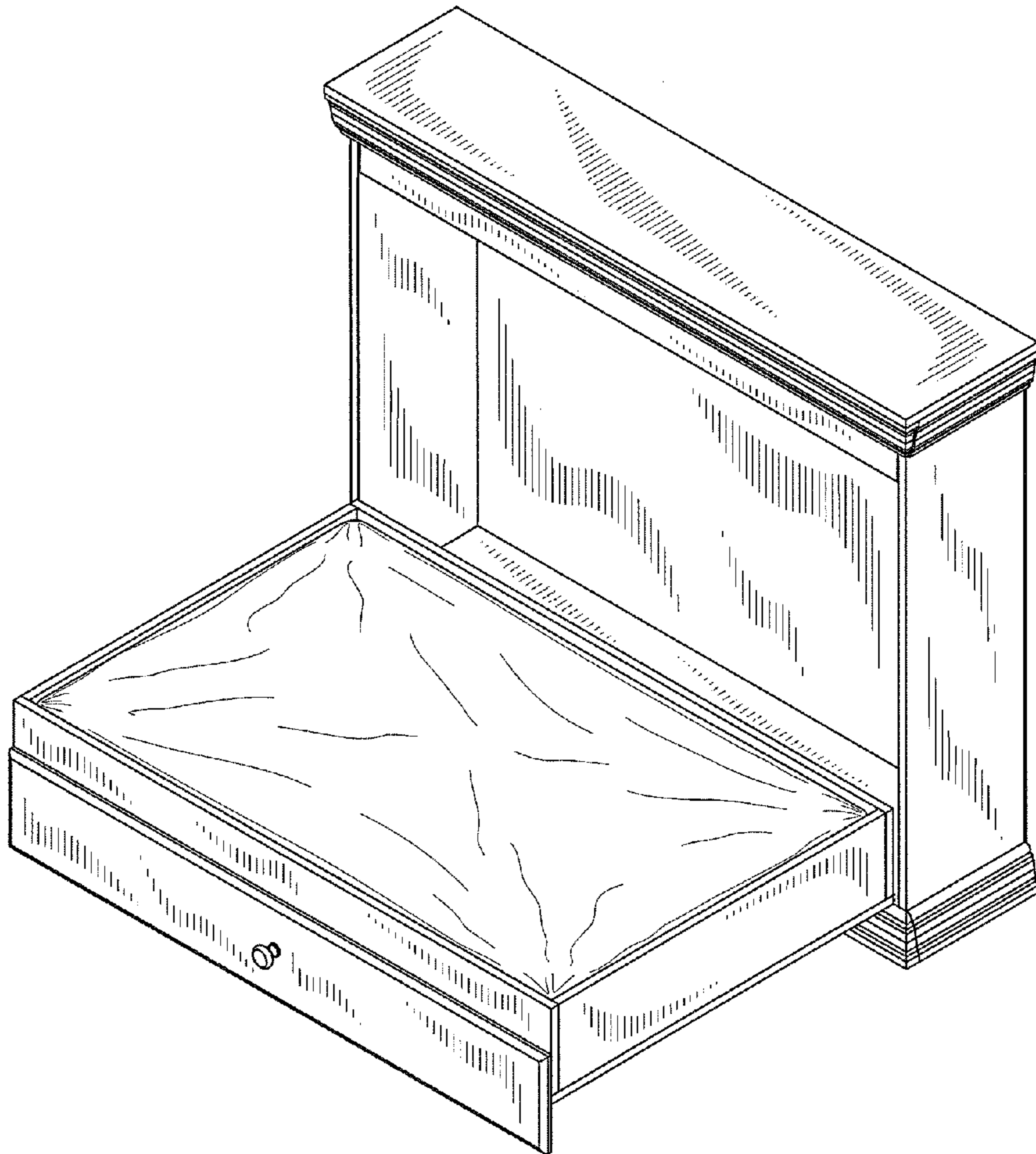


FIG. 8

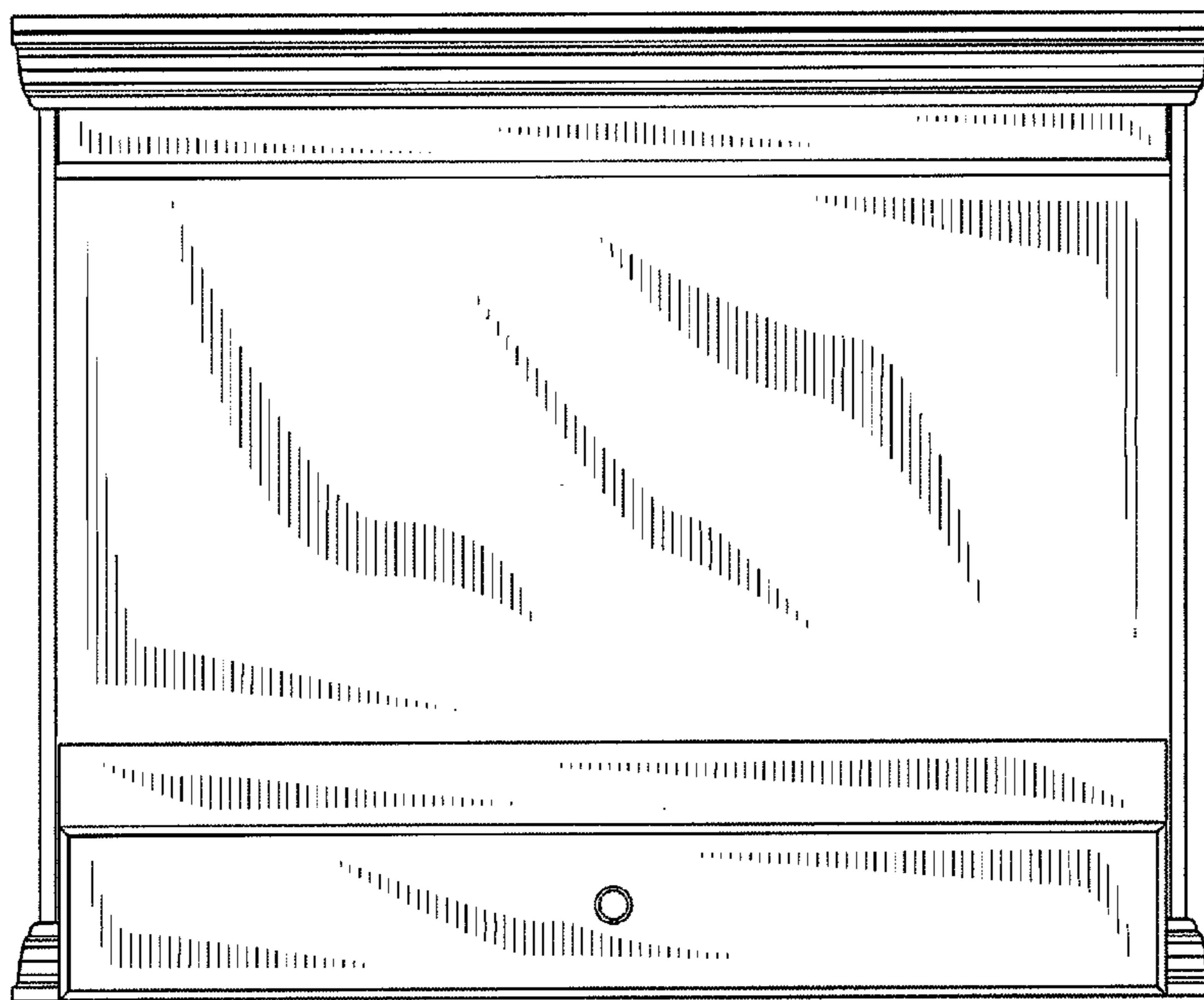


FIG. 9

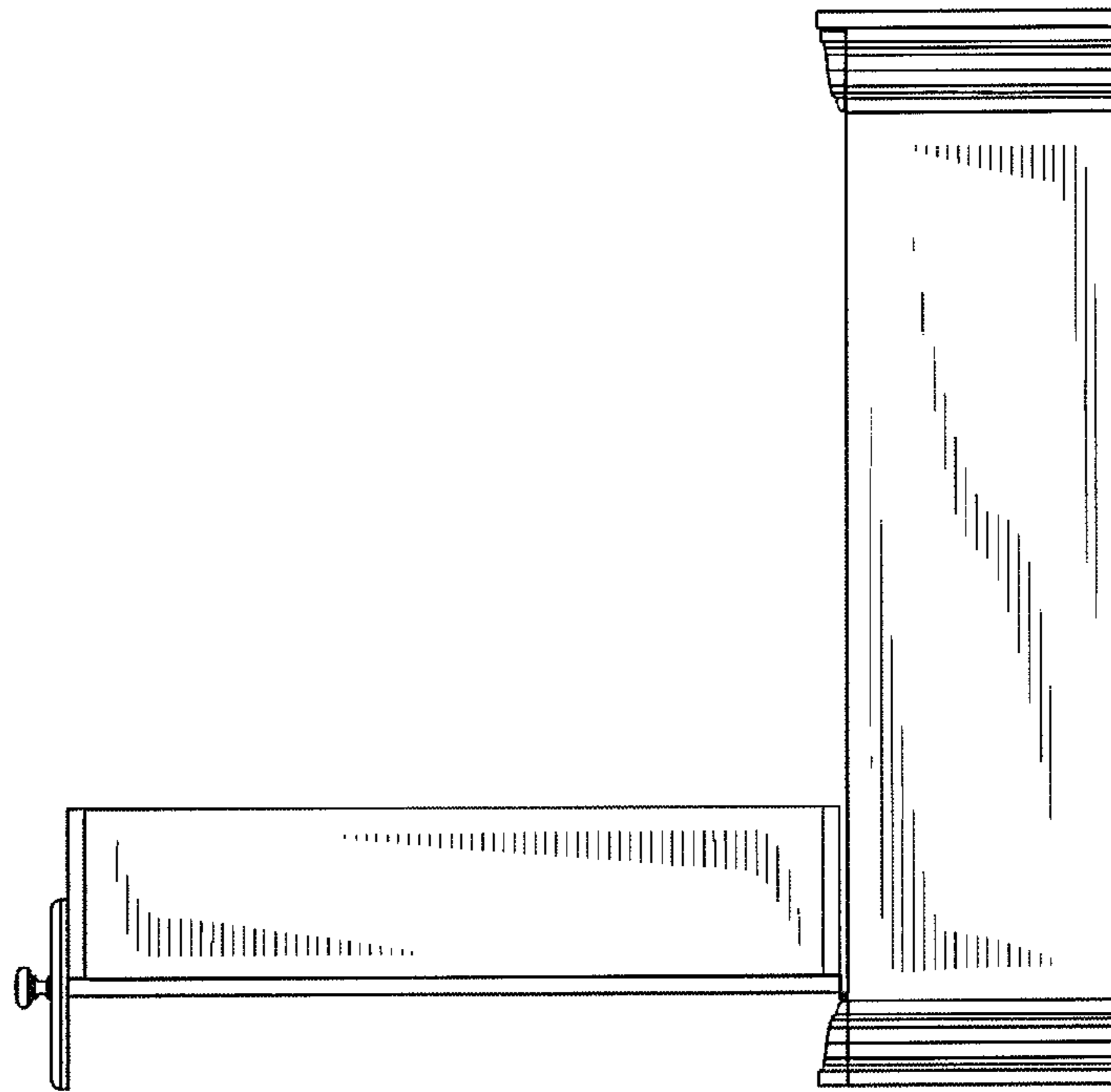


FIG. 10

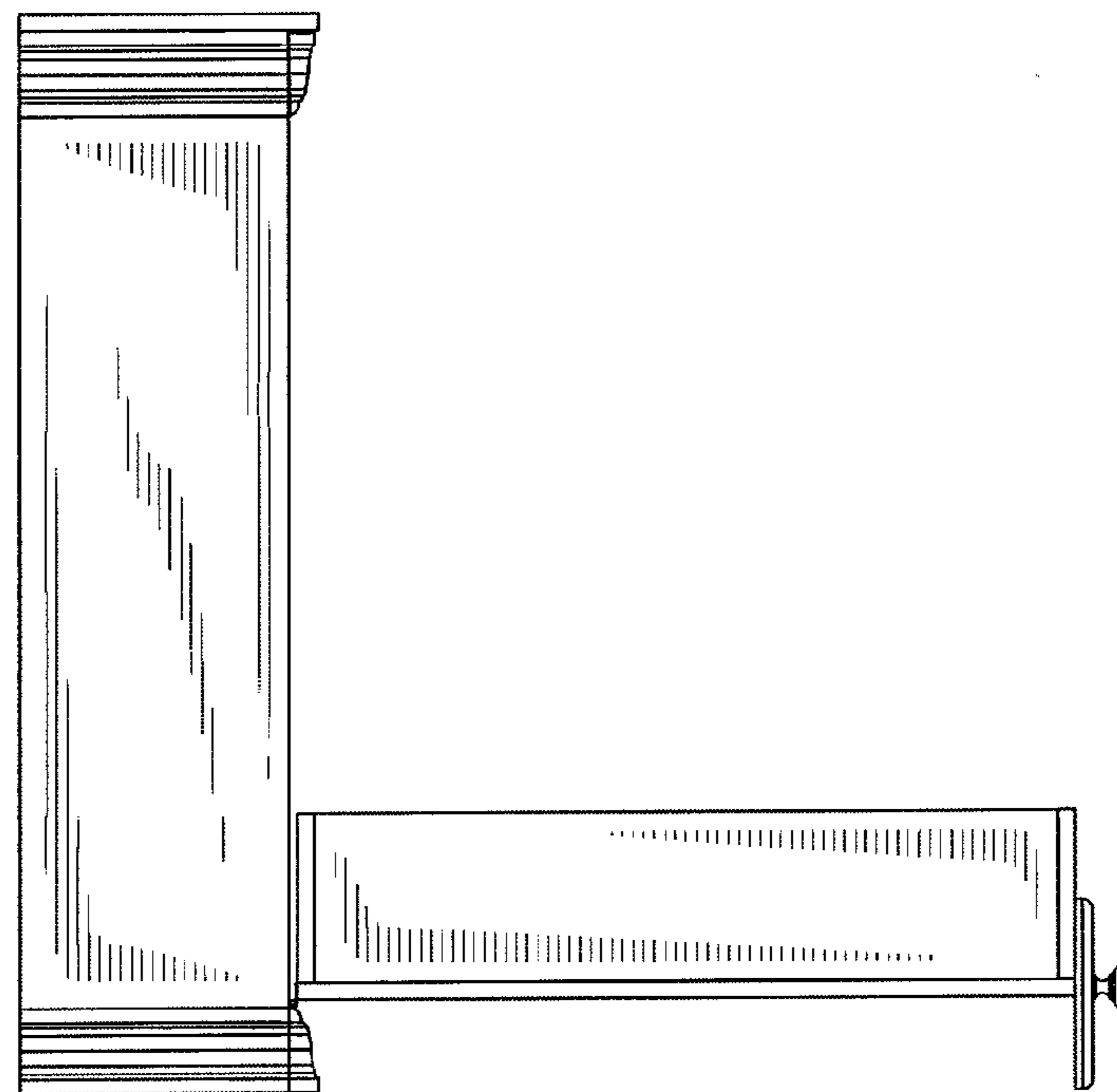


FIG. 11

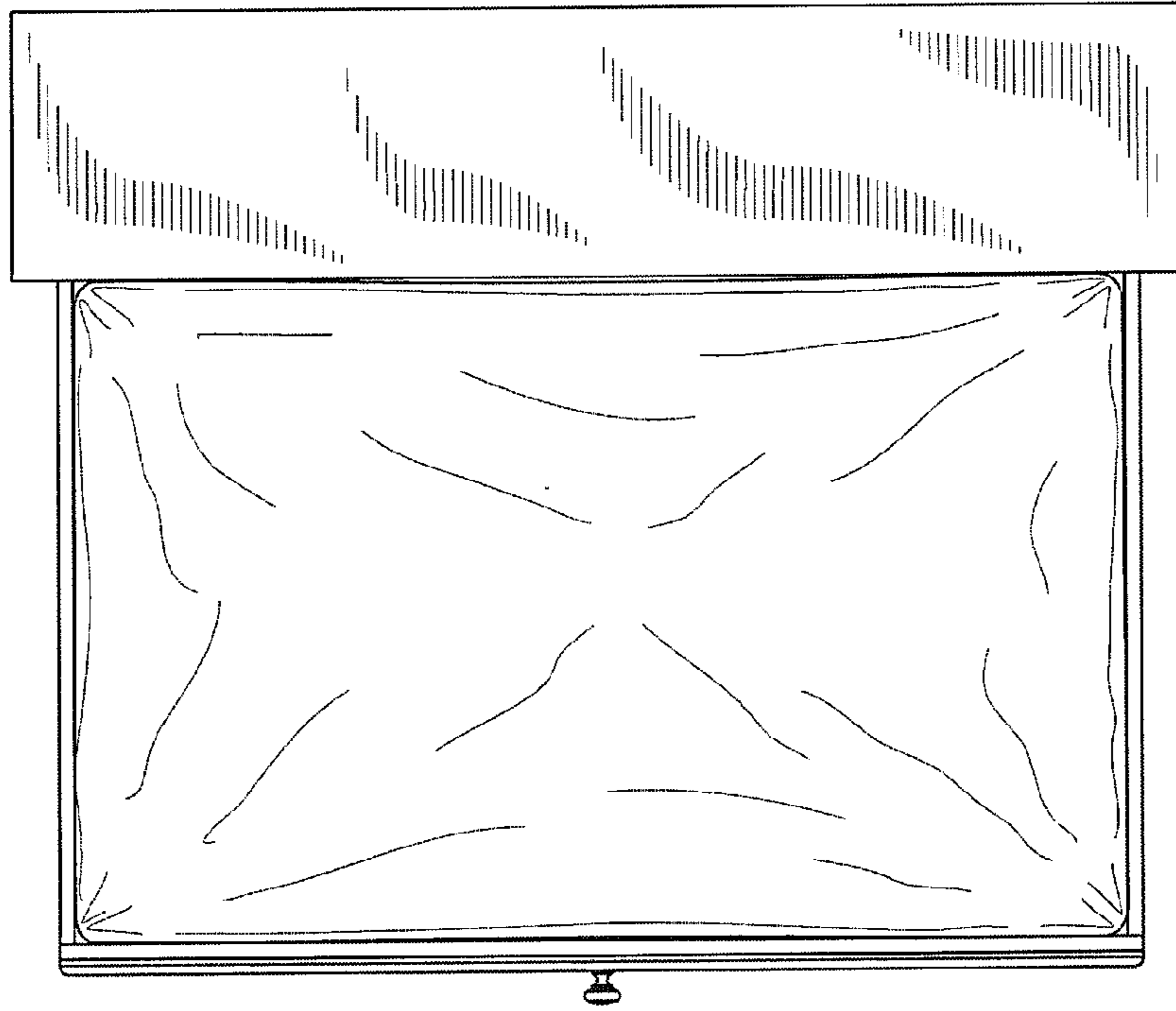


FIG. 12

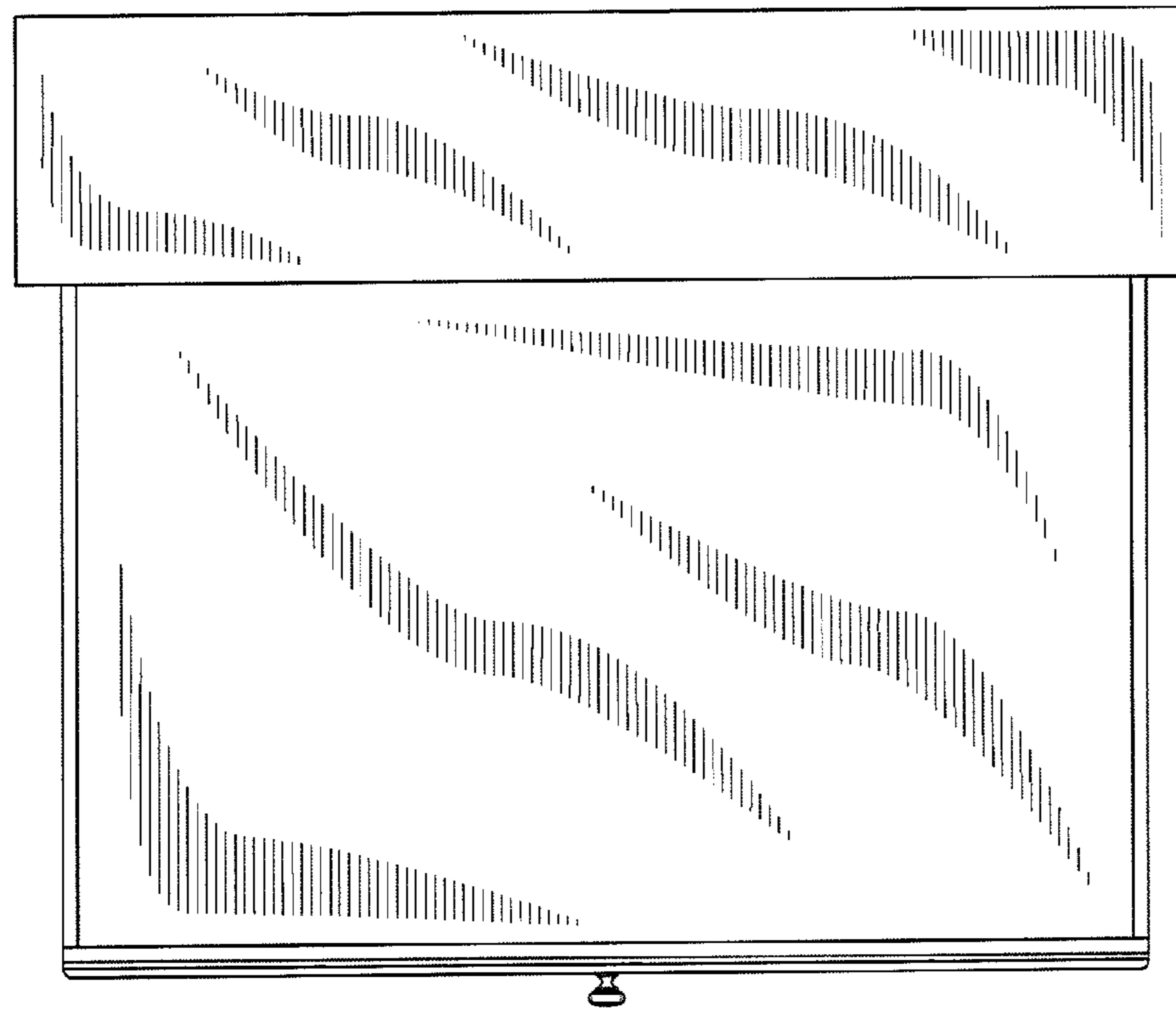


FIG. 13