



US00D721199S

(12) **United States Design Patent**  
**Gilbert**

(10) **Patent No.:** **US D721,199 S**

(45) **Date of Patent:** **\*\* Jan. 13, 2015**

(54) **LIGHT FIXTURE PORTION**

(71) Applicant: **Christopher Jon Gilbert**, Moreland Hills, OH (US)

(72) Inventor: **Christopher Jon Gilbert**, Moreland Hills, OH (US)

(73) Assignee: **Moen Incorporated**, North Olmsted, OH (US)

(\*\*) Term: **14 Years**

(21) Appl. No.: **29/466,664**

(22) Filed: **Sep. 10, 2013**

(51) **LOC (10) Cl.** ..... **26-03**

(52) **U.S. Cl.**  
USPC ..... **D26/87; D26/86**

(58) **Field of Classification Search**  
USPC ..... D26/72, 86, 87, 92, 145, 155; 362/147, 362/432

See application file for complete search history.

(56) **References Cited**

**U.S. PATENT DOCUMENTS**

D47,275 S	4/1915	Mohrmann	
D47,540 S	7/1915	Mohrmann	
D48,158 S	11/1915	Morrell	
D49,042 S	5/1916	Schwartzman	
D49,075 S	5/1916	Pearlman	
RE14,737 E	10/1919	Dahl	
D54,144 S *	11/1919	Strahan	D26/145
D55,390 S *	6/1920	Maerz	D26/92
D56,784 S *	12/1920	Strahan et al.	D26/145
D60,005 S	12/1921	Adam	
D61,376 S	8/1922	Newland	
D63,531 S	12/1923	Warman	
D63,653 S	12/1923	Maloney	
D64,521 S	4/1924	Wolter	
D64,522 S	4/1924	Wolter	
D64,523 S	4/1924	Wolter	
D64,524 S	4/1924	Wolter	

D64,526 S	4/1924	Wolter	
D65,163 S	7/1924	Collins	
D65,920 S *	11/1924	Monroe	D26/87
D67,652 S *	6/1925	Goddard	D26/145
D68,221 S	9/1925	Thompson	
D71,031 S *	9/1926	Rogers	D26/92
D73,151 S	7/1927	Villaret	
D73,678 S	10/1927	Von Nessen	
D73,831 S	11/1927	Guth	
D74,527 S	2/1928	Von Nessen	

(Continued)

*Primary Examiner* — Clare E Heflin

(74) *Attorney, Agent, or Firm* — Calfee, Halter & Griswold LLP

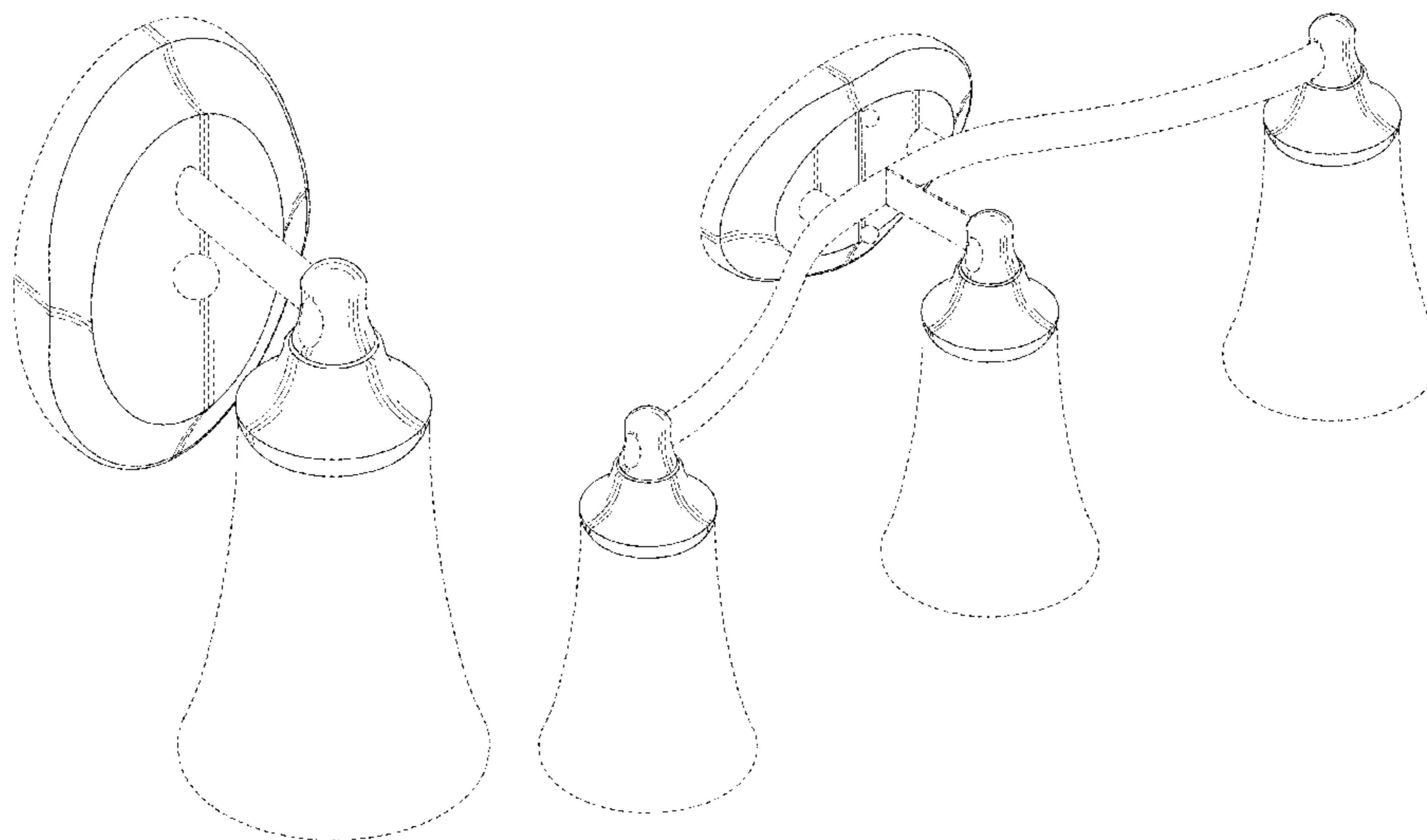
(57) **CLAIM**

The ornamental design for a light fixture portion, as shown and described.

**DESCRIPTION**

FIG. 1 is a perspective view of a light fixture portion of the new design in a first embodiment of the light fixture; FIG. 2 is a front elevational view of the light fixture portion in the embodiment of FIG. 1; FIG. 3 is a left side elevational view of the light fixture portion in the embodiment of FIG. 1, the right side elevational view being a mirror image thereof; FIG. 4 is a top plan view of the light fixture portion in the embodiment of FIG. 1; FIG. 5 is a bottom plan view of the light fixture portion in the embodiment of FIG. 1; FIG. 6 is a perspective view of a light fixture portion of the new design in a second embodiment of the light fixture; FIG. 7 is a perspective view of a light fixture portion of the new design in a third embodiment of the light fixture; and, FIG. 8 is a perspective view of a light fixture portion of the new design in a fourth embodiment of the light fixture. The portions of the Figures shown in broken lines are not part of the claimed design and are for illustration only.

**1 Claim, 6 Drawing Sheets**



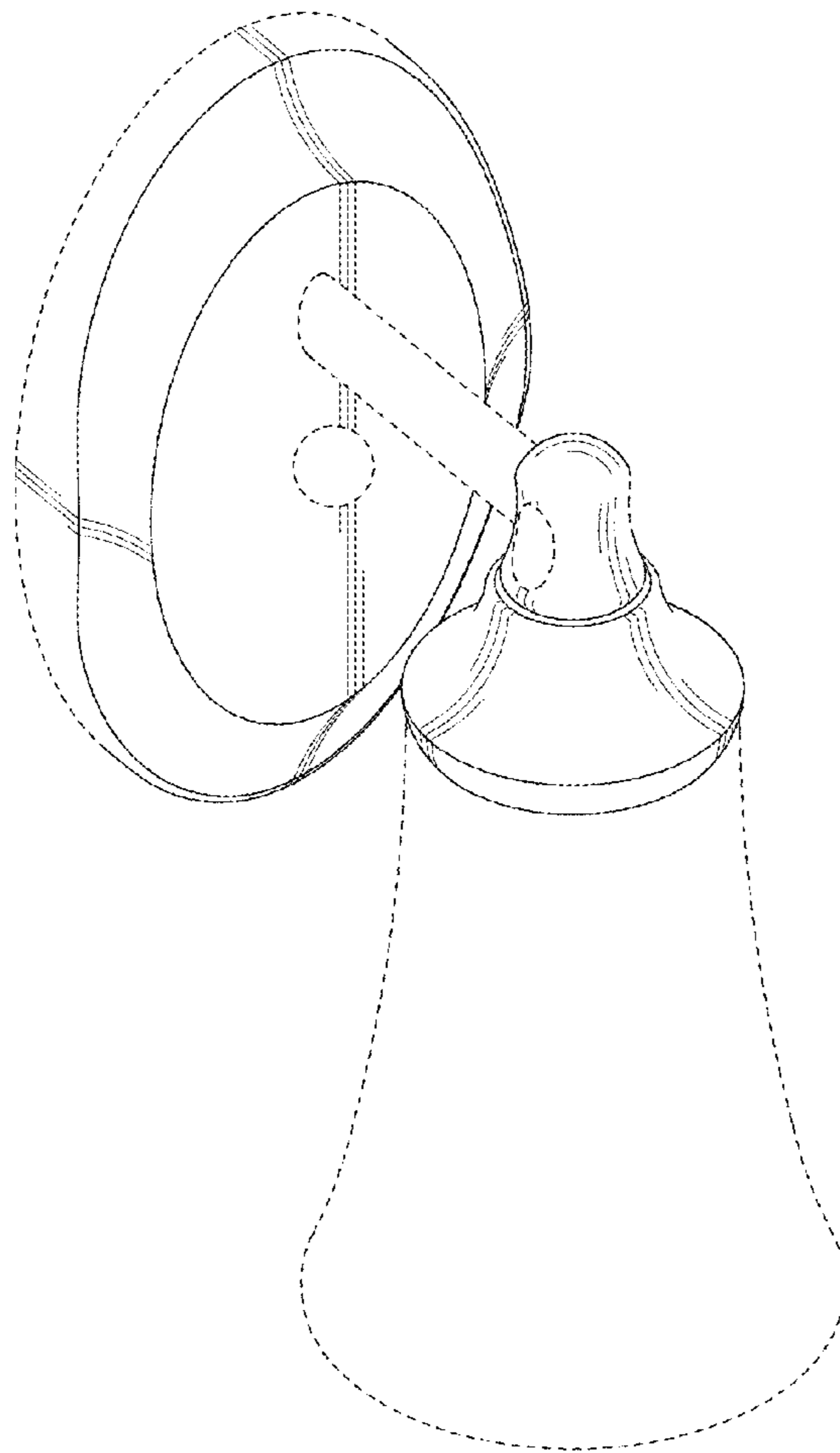
(56)

References Cited

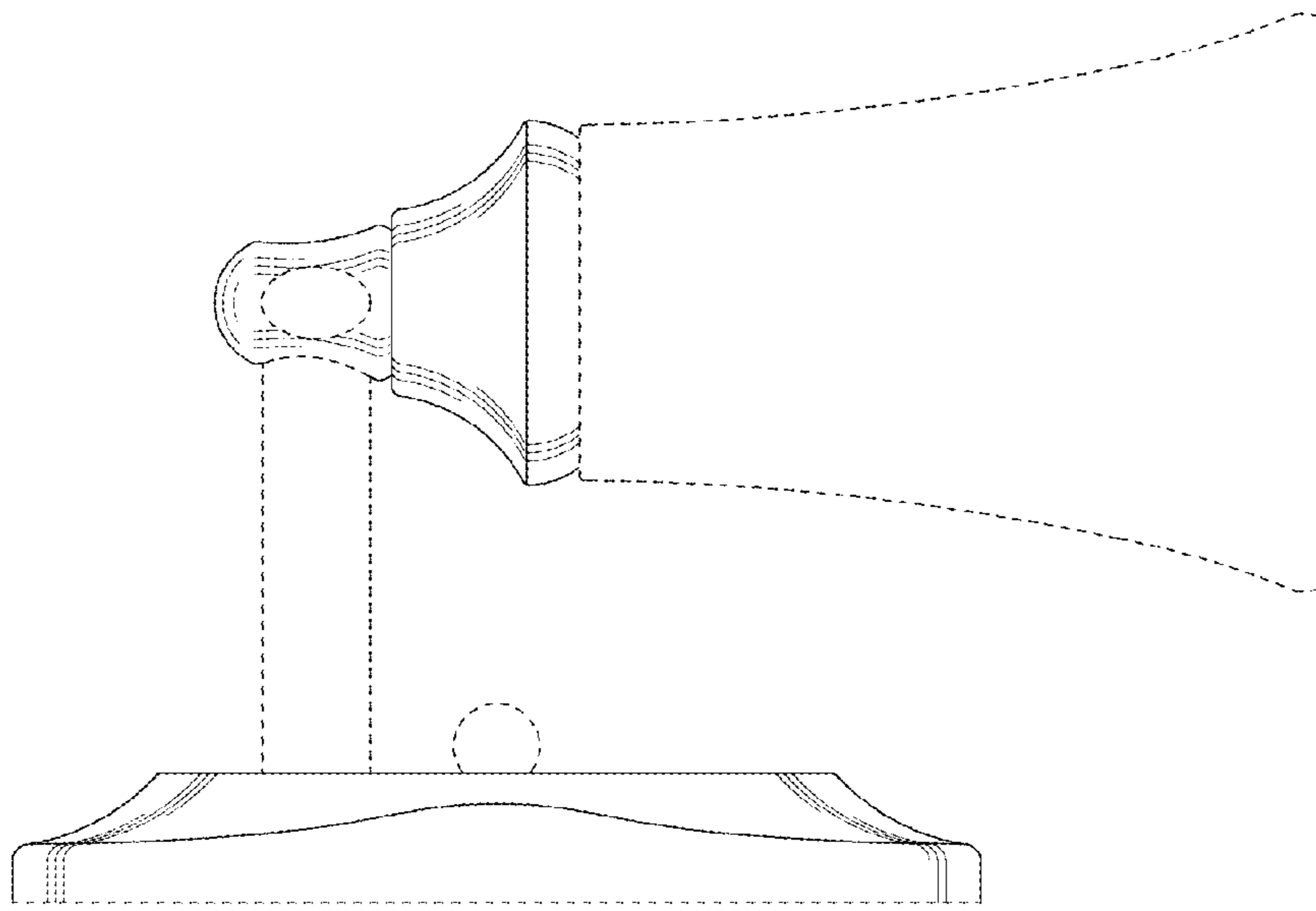
U.S. PATENT DOCUMENTS

D76,740 S	10/1928	Dym	
D79,672 S	10/1929	Schweiker	
D81,636 S	7/1930	Frankel	
1,810,507 A *	6/1931	Wack .....	362/432
D85,444 S	10/1931	Primakow	
D90,777 S	9/1933	Lippard	
D92,658 S	7/1934	Kaynor	
D98,105 S	1/1936	Arenberg	
D99,298 S	4/1936	O'Brien	
D153,803 S	5/1949	Huppert	
D234,797 S	4/1975	DeJohn et al.	
D280,239 S	8/1985	Burket et al.	
D317,691 S	6/1991	Wang	
D318,215 S	7/1991	Fleming	
D353,906 S	12/1994	Hsu	
D361,858 S	8/1995	Pickett	
D367,936 S	3/1996	Kay	
D374,101 S	9/1996	Benghozi	
D377,400 S	1/1997	Blackman	
D391,662 S *	3/1998	Miranda .....	D26/87
D393,895 S	4/1998	Gottwald	
D405,216 S	2/1999	Porter et al.	
D405,995 S	2/1999	Harris	
D417,925 S	12/1999	Meck et al.	
D420,460 S	2/2000	Meck et al.	
D420,760 S	2/2000	Meck et al.	
D433,487 S	11/2000	Milrud et al.	
D434,168 S	11/2000	Hseih	
D435,288 S	12/2000	Milrud et al.	
D436,212 S	1/2001	Hammar	
D442,727 S	5/2001	Hsu	
D445,213 S	7/2001	Jones et al.	
D452,397 S	12/2001	Gilbert et al.	
D453,271 S	2/2002	Gilbert et al.	
D453,433 S	2/2002	Gilbert et al.	
D453,899 S	2/2002	LaPlume et al.	
D457,678 S	5/2002	Yang	
D463,849 S	10/2002	Otero	
D465,595 S *	11/2002	Hoernig .....	D26/80
D465,597 S	11/2002	Hsu	
D465,871 S *	11/2002	Hoernig .....	D26/87
D472,964 S	4/2003	Marshall	
D473,004 S *	4/2003	Hoernig .....	D26/87
D473,005 S *	4/2003	Hoernig .....	D26/87
D473,447 S	4/2003	Luu	
D474,833 S	5/2003	Marshall	
D480,452 S	10/2003	Marshall	
D488,578 S	4/2004	O'Tierney	
D490,928 S	6/2004	Curtin	
D496,124 S	9/2004	Parres	
D498,870 S	11/2004	Parres	
D499,631 S	12/2004	Sale, Jr.	
D501,058 S	1/2005	Parres	
D501,389 S	2/2005	Denoual	
D503,082 S	3/2005	Denoual	
D503,488 S *	3/2005	Tai .....	D26/59
D506,916 S	7/2005	Sale, Jr.	
D511,019 S	10/2005	Nicholas	
D517,721 S	3/2006	Searle	
D518,594 S	4/2006	Brunner	
D530,845 S	10/2006	Porter	
D535,428 S	1/2007	Flores et al.	
D535,776 S	1/2007	Dolan	
D537,974 S	3/2007	Yuan	
D539,461 S	3/2007	Deron	
D541,465 S	4/2007	Flores et al.	
D550,890 S	9/2007	Wang	
D552,786 S	10/2007	Flores et al.	
D554,405 S	11/2007	Chang	
D557,441 S	12/2007	Hsu	
D561,375 S	2/2008	Orozco	
D561,927 S	2/2008	Hoernig	
D563,025 S	2/2008	Hetfield et al.	
D563,027 S	2/2008	Hsu	
D563,028 S	2/2008	Hsu	
D565,231 S	3/2008	Milicia	
D565,776 S	4/2008	Hsu	
D565,777 S	4/2008	Hsu	
D570,519 S	6/2008	Milicia	
D573,748 S *	7/2008	Hsu .....	D26/87
D574,993 S	8/2008	Silver	
D575,438 S	8/2008	Young	
D575,893 S	8/2008	Castellucci et al.	
D575,901 S	8/2008	Ricereto	
D575,902 S	8/2008	Ricereto	
D578,700 S	10/2008	Chen	
D579,097 S	10/2008	Hidalgo	
D604,006 S	11/2009	Silver	
D604,007 S	11/2009	Silver	
D616,599 S	5/2010	Gilbert et al.	
D616,600 S *	5/2010	Gilbert et al. ....	D26/155
D624,234 S *	9/2010	Andrew .....	D26/145
D628,735 S	12/2010	Chen	
D635,444 S	4/2011	Roberts, III	
D643,514 S	8/2011	Bauer	
D649,676 S	11/2011	Chen	
D652,561 S	1/2012	Chen	
D659,888 S	5/2012	Shin et al.	
D663,463 S	7/2012	Lee et al.	
D685,124 S *	6/2013	Dolan .....	D26/87
D685,125 S *	6/2013	Dolan .....	D26/87

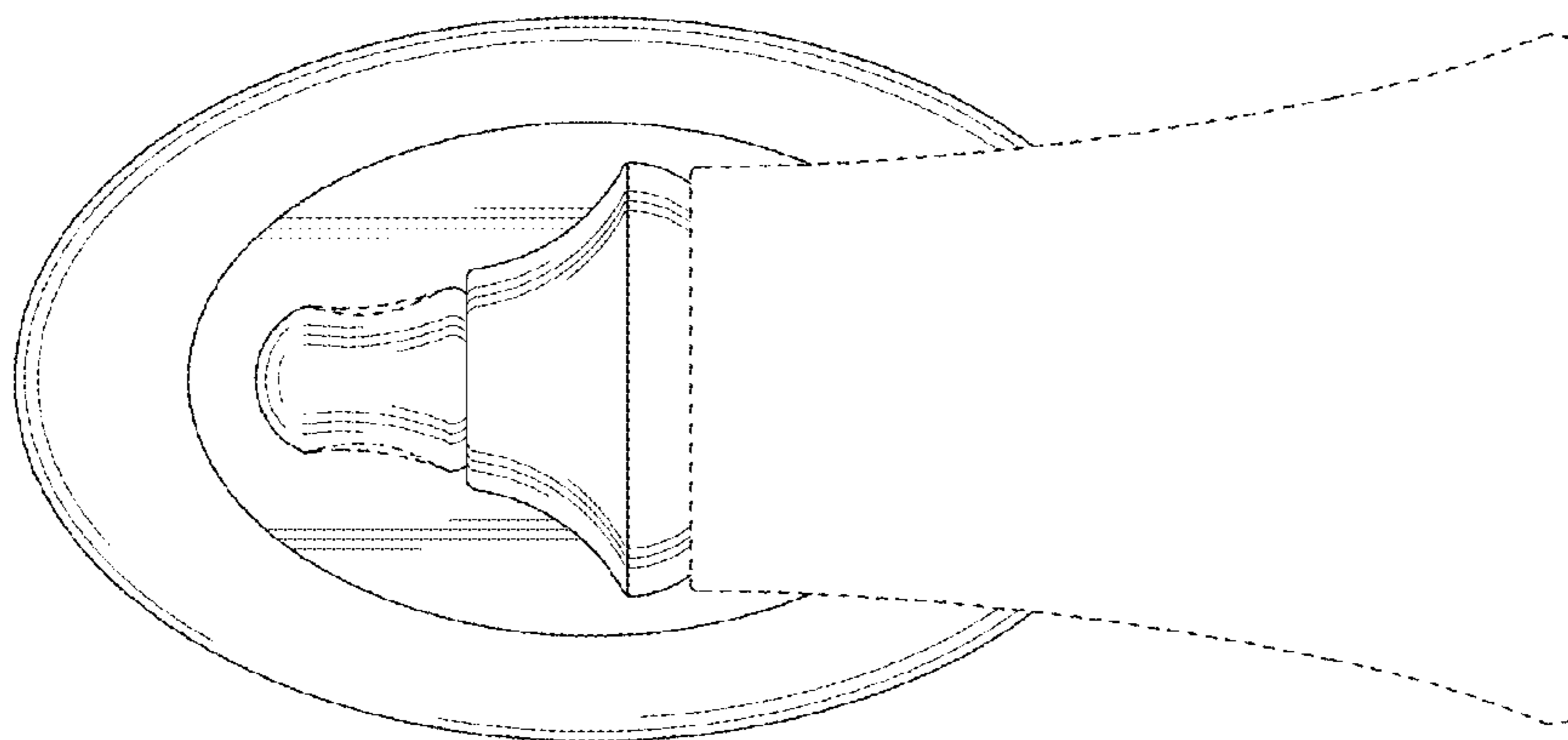
\* cited by examiner



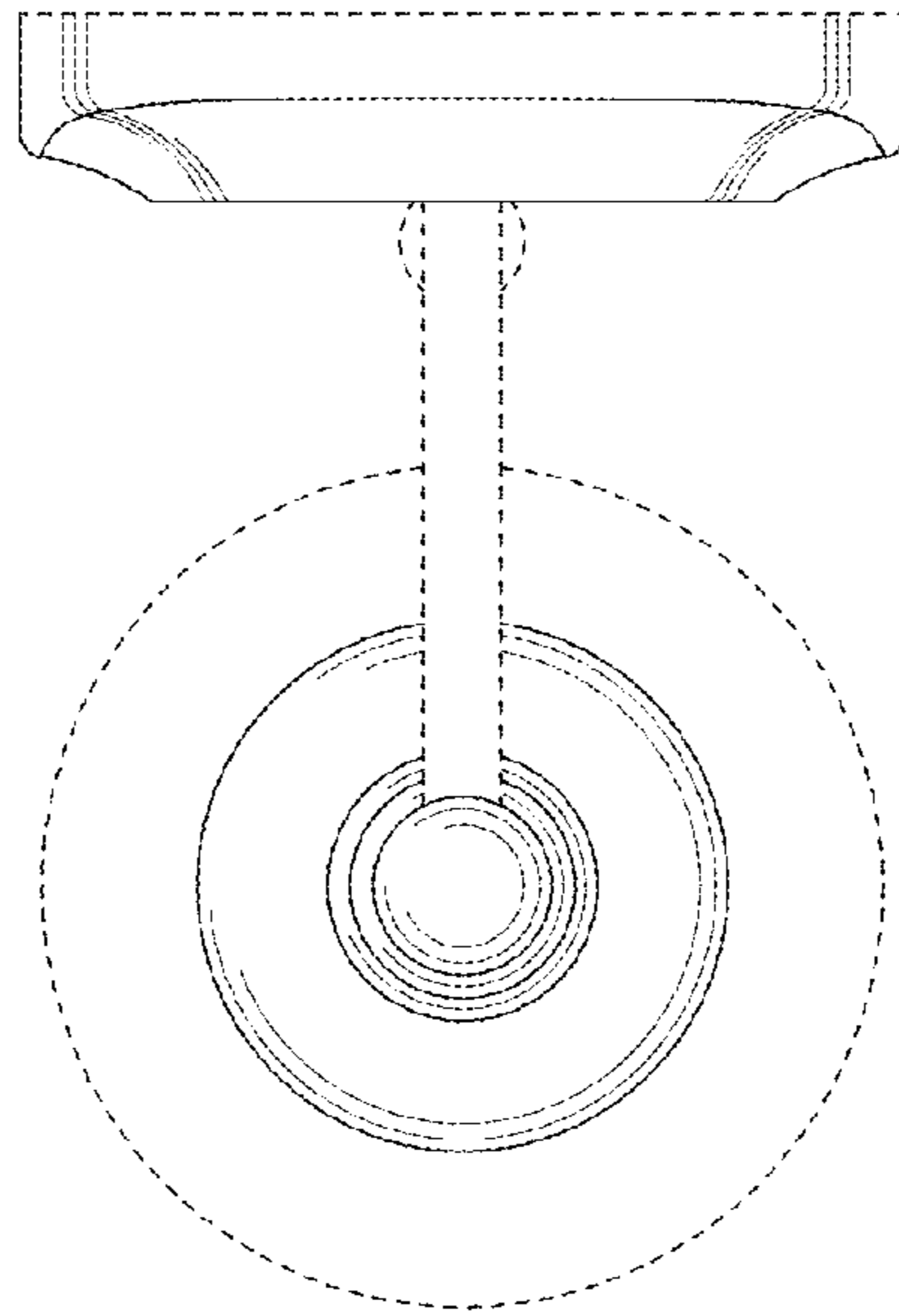
**FIG. 1**



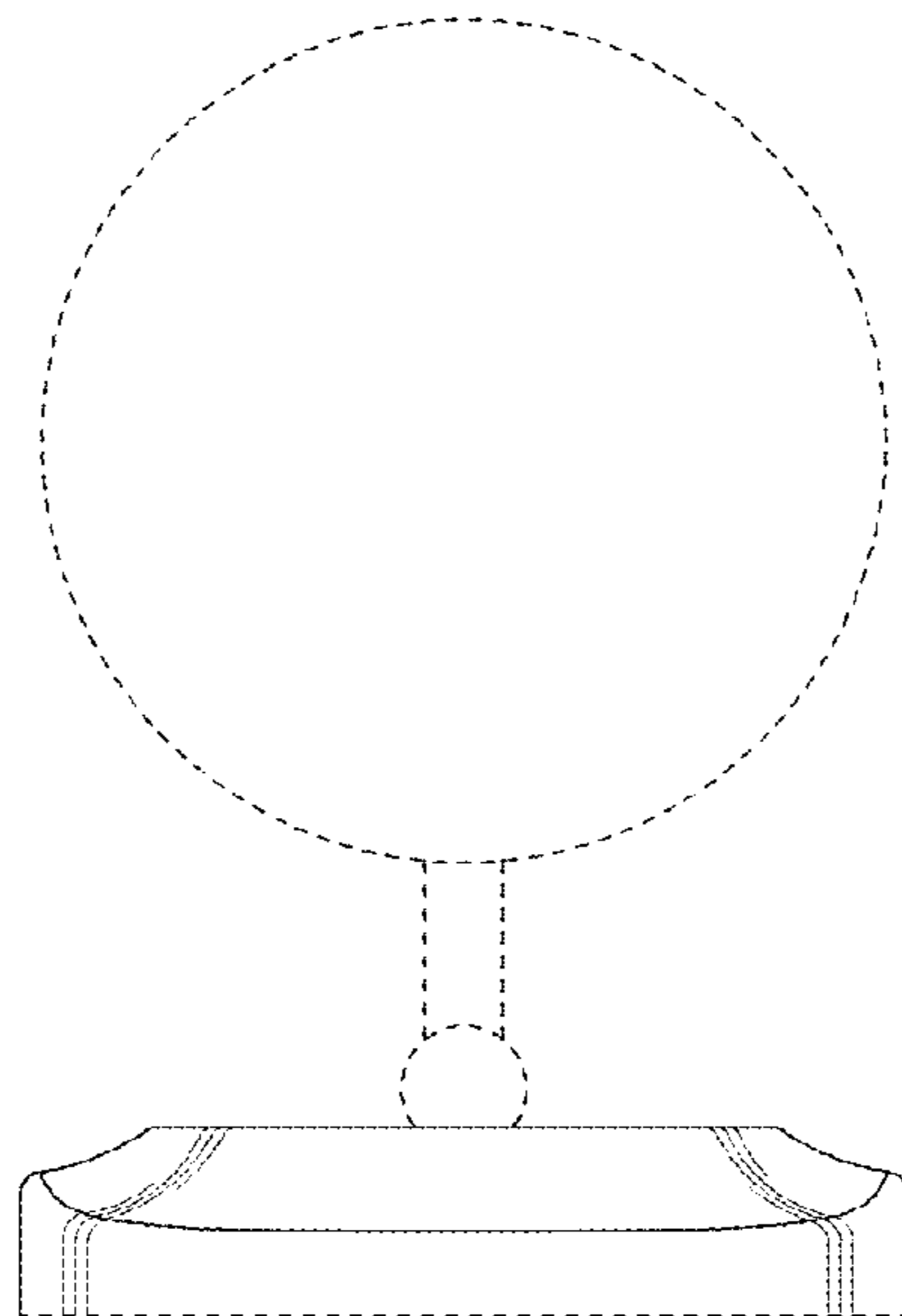
**FIG. 3**



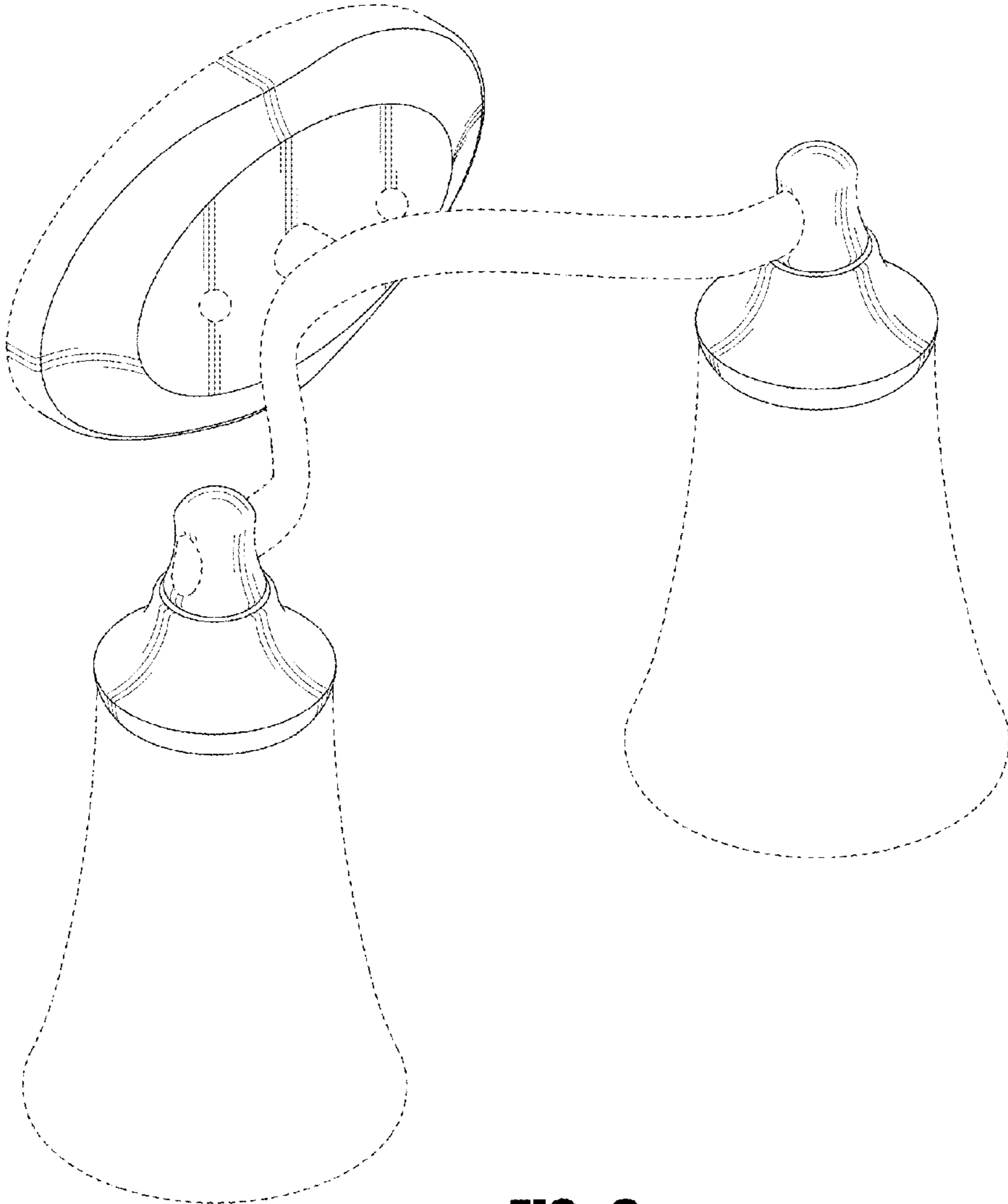
**FIG. 2**



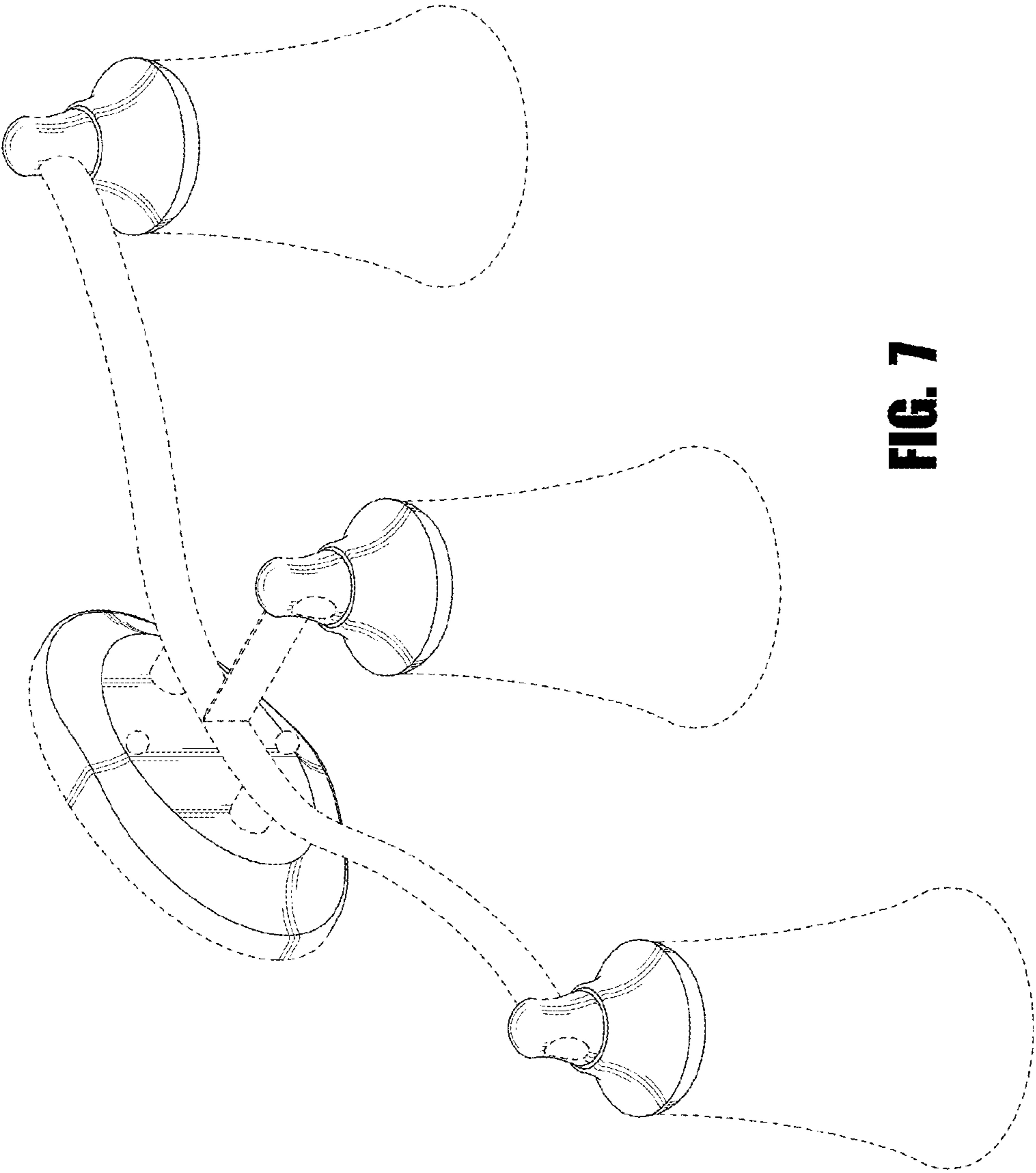
**FIG. 4**



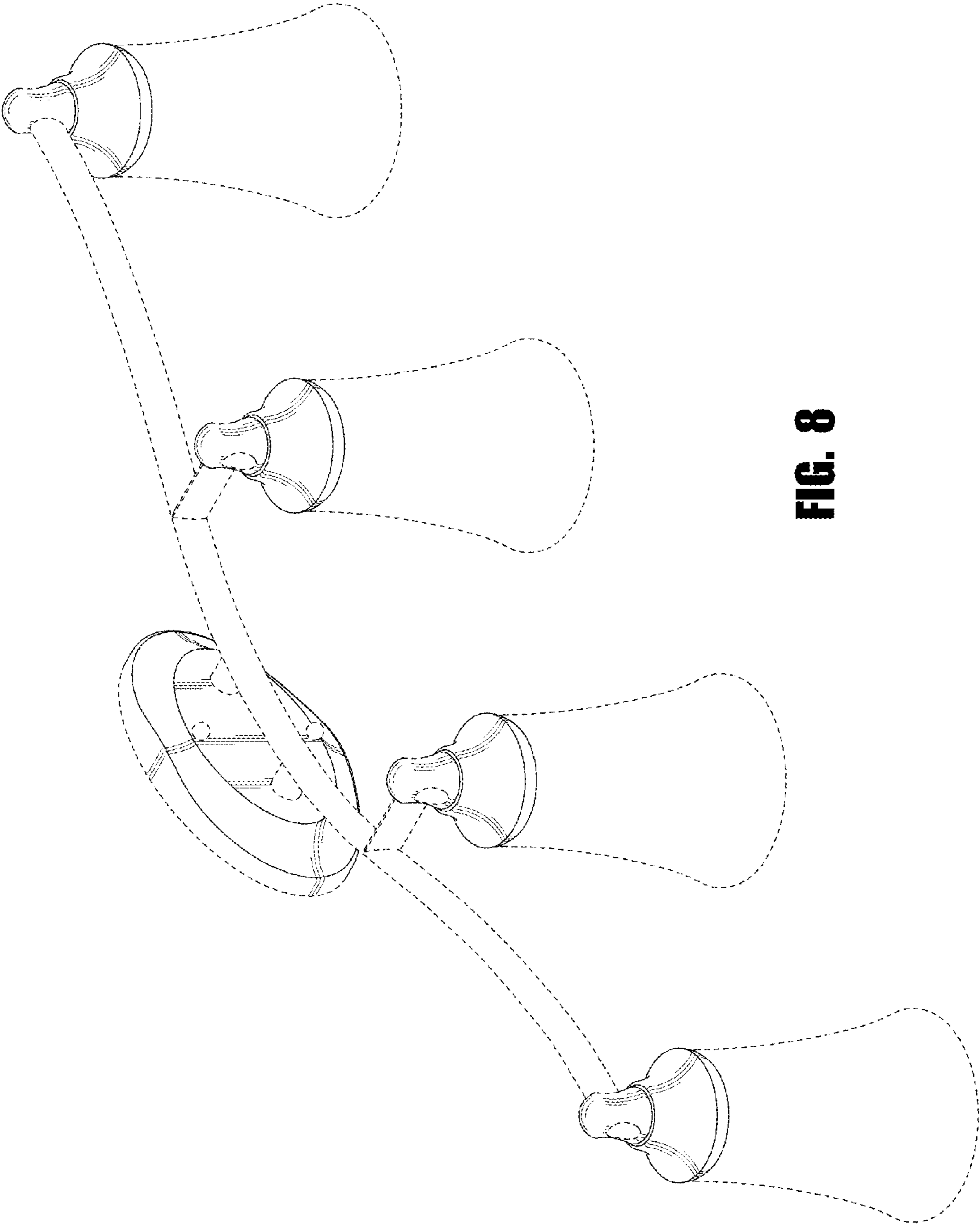
**FIG. 5**



**FIG. 6**



**FIG. 7**



**FIG. 8**