



US00D721196S

(12) **United States Design Patent**
Lai

(10) **Patent No.:** **US D721,196 S**
(45) **Date of Patent:** **** Jan. 13, 2015**

(54) **EXTERIOR SURFACE CONFIGURATION
FOR A VEHICLE HEADLIGHT**

(71) Applicant: **Litek Enterprise Co., Ltd.**, Tainan
(TW)

(72) Inventor: **Ching-Tsung Lai**, Tainan (TW)

(73) Assignee: **Litek Enterprise Co., Ltd.**, Tainan
(TW)

(**) Term: **14 Years**

(21) Appl. No.: **29/467,235**

(22) Filed: **Sep. 17, 2013**

(51) **LOC (10) Cl.** **26-06**

(52) **U.S. Cl.**
USPC **D26/28**

(58) **Field of Classification Search**
USPC D26/28-36; 362/459-468, 475-478,
362/485-487

See application file for complete search history.

(56) **References Cited**

U.S. PATENT DOCUMENTS

D528,681	S	*	9/2006	Nakahara	D26/28
D535,764	S	*	1/2007	Yamaguchi	D26/28
D536,810	S	*	2/2007	Ishikura	D26/28
D538,956	S	*	3/2007	Ishii	D26/28
D544,614	S	*	6/2007	Markefka	D26/28
D560,291	S	*	1/2008	Koyama	D26/28
D561,358	S	*	2/2008	Tachibana	D26/28

* cited by examiner

Primary Examiner — Marcus Jackson

(74) *Attorney, Agent, or Firm* — Muncy, Geissler, Olds & Lowe, P.C.

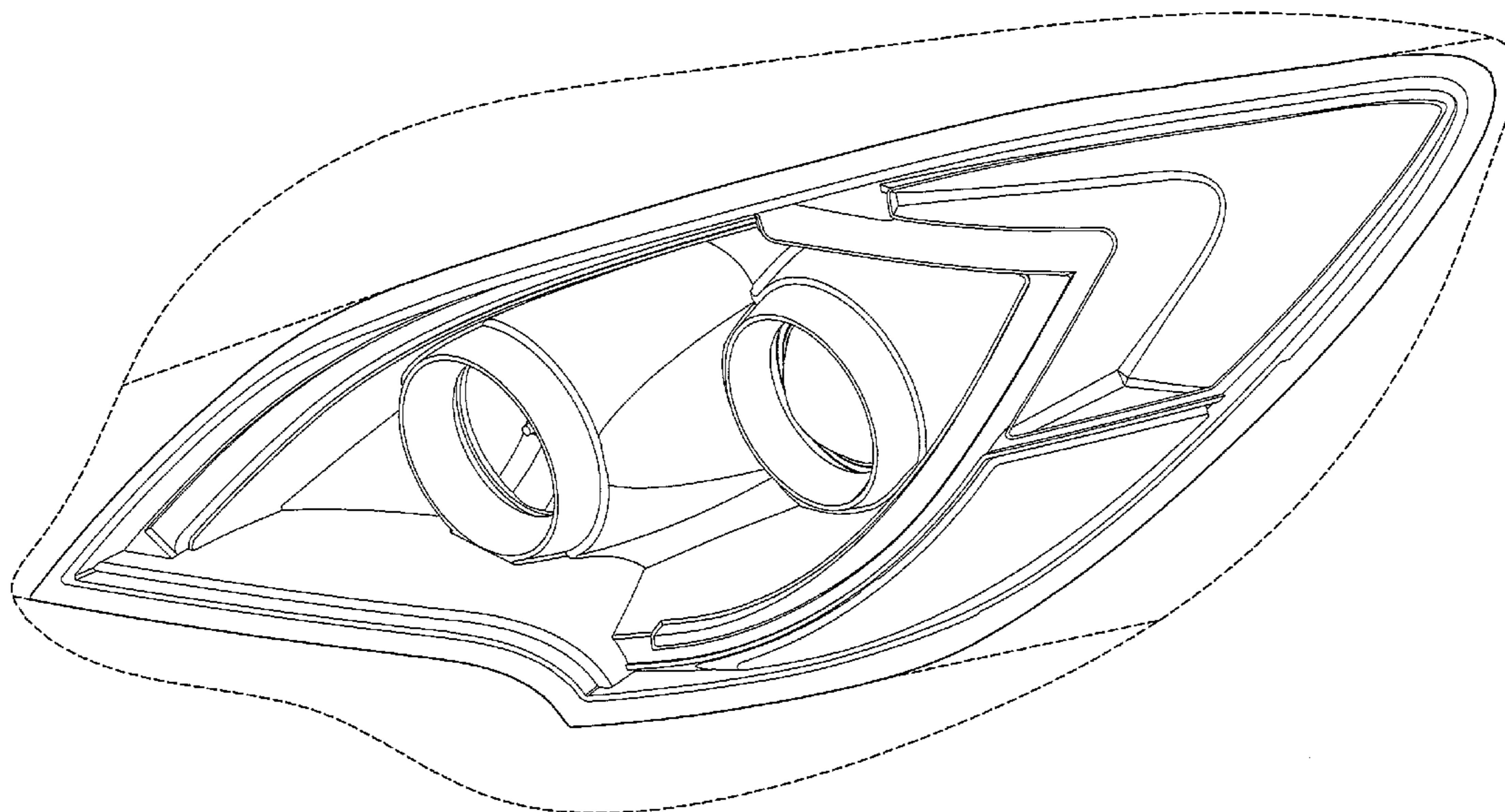
(57) **CLAIM**

I claim, the ornamental design for an exterior surface configuration for a vehicle headlight, as shown and described.

DESCRIPTION

FIG. 1 is a perspective view of an exterior surface configuration for a vehicle headlight showing my present design; FIG. 2 is a front view thereof; FIG. 3 is a right view thereof; and, FIG. 4 is a top plan view thereof. The broken lines shown in FIGS. 1-4 are for illustrative purposes only and form no part of the claimed design.

1 Claim, 4 Drawing Sheets



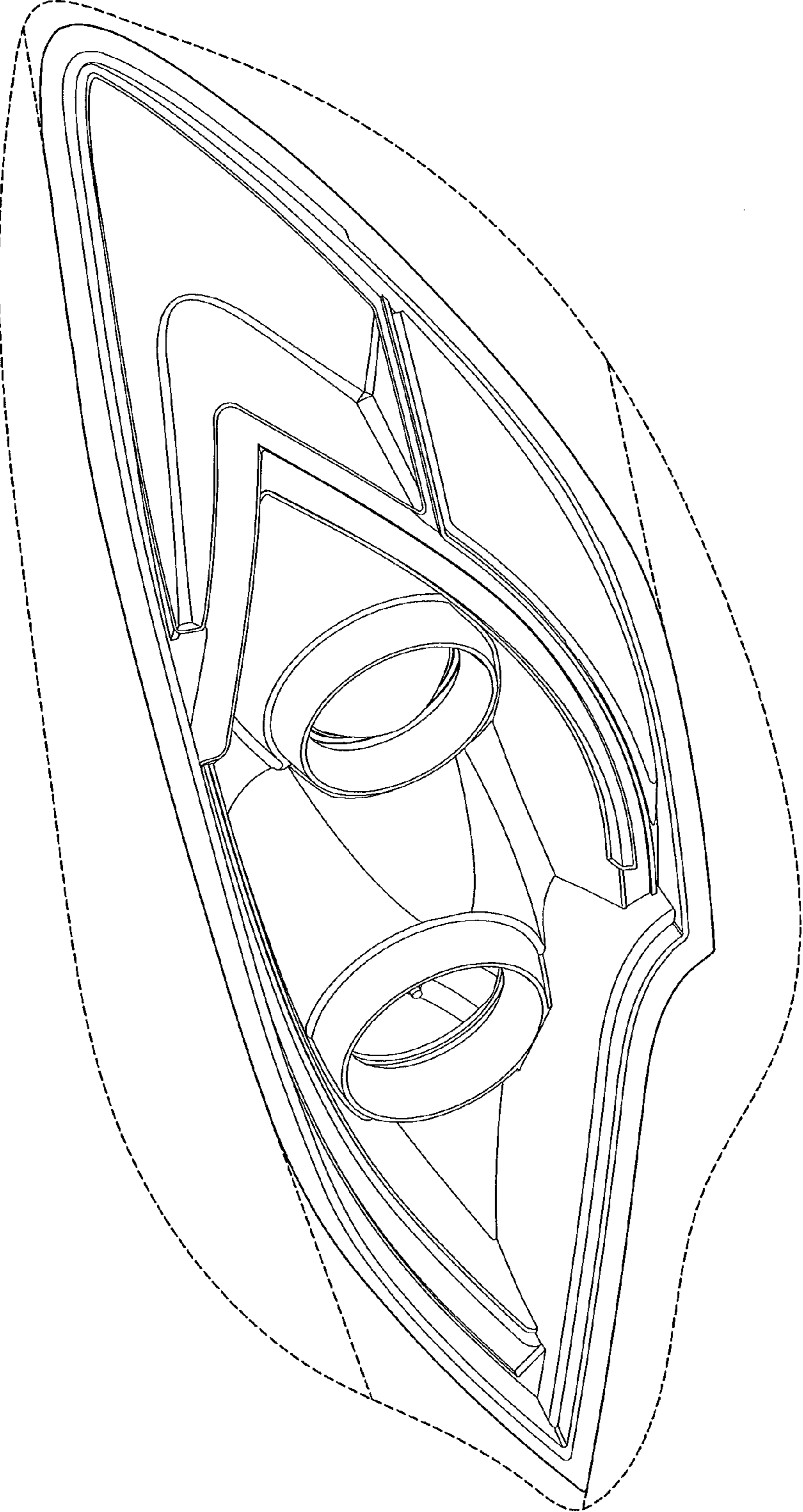


FIG. 1

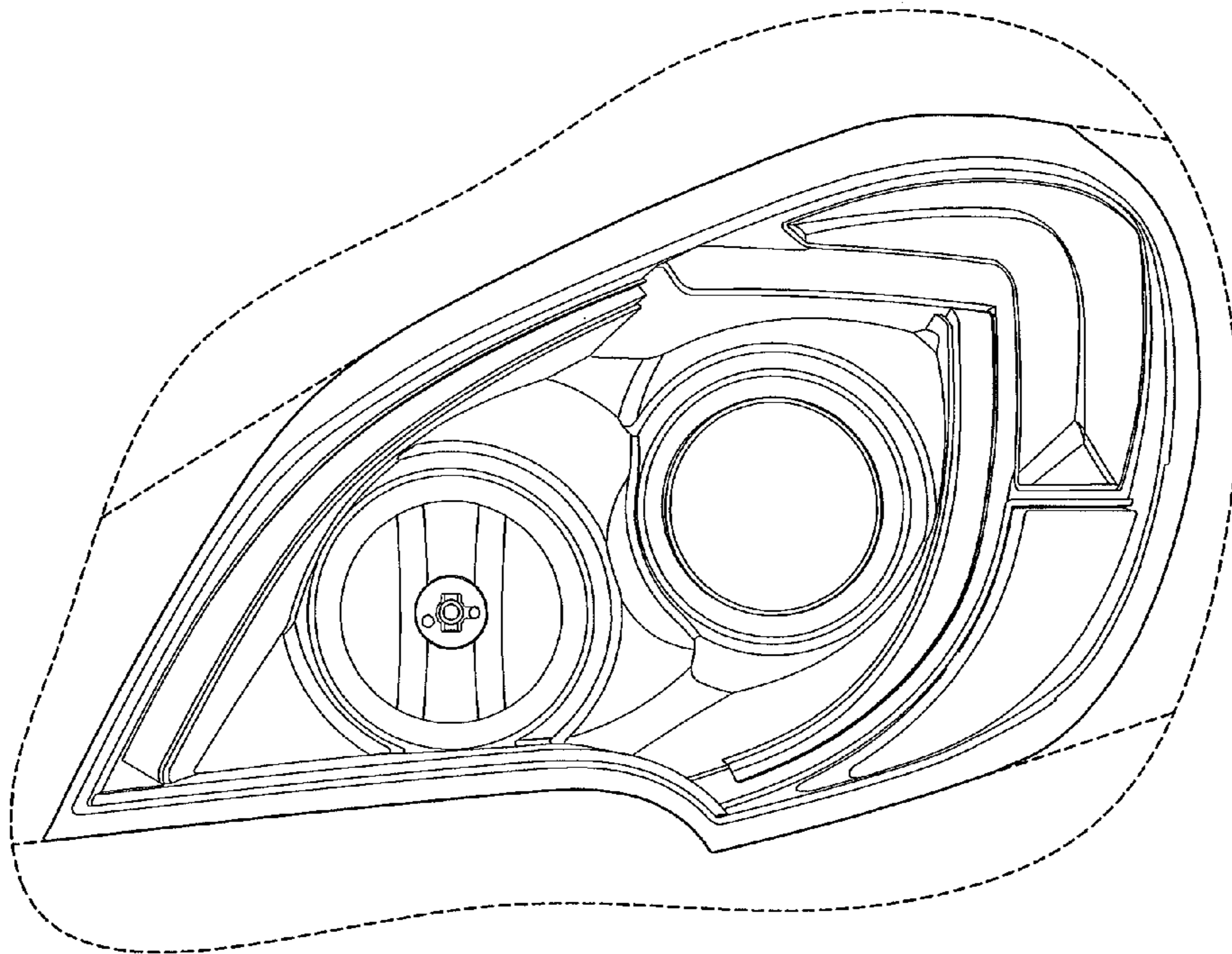


FIG. 2

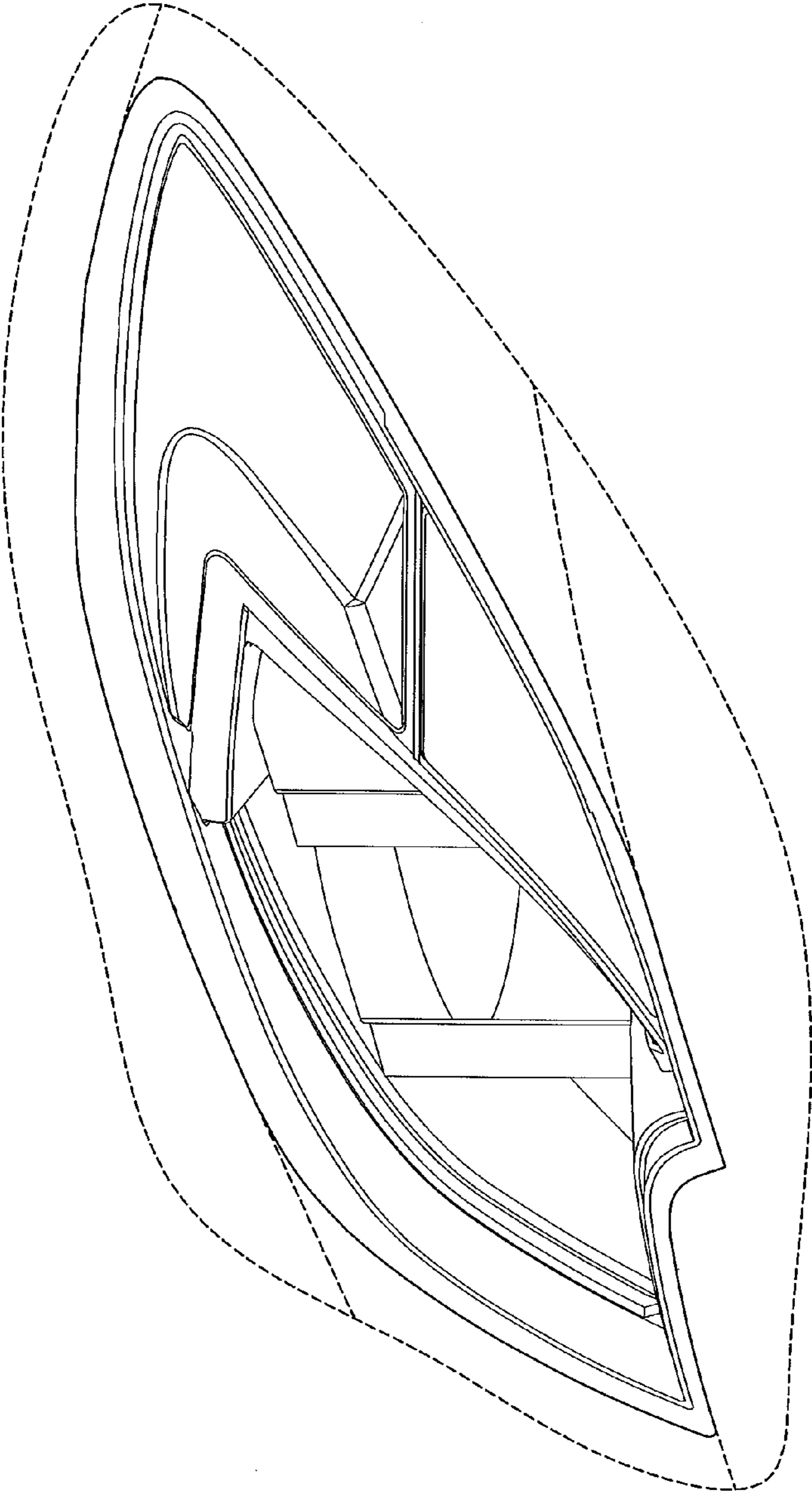


FIG. 3

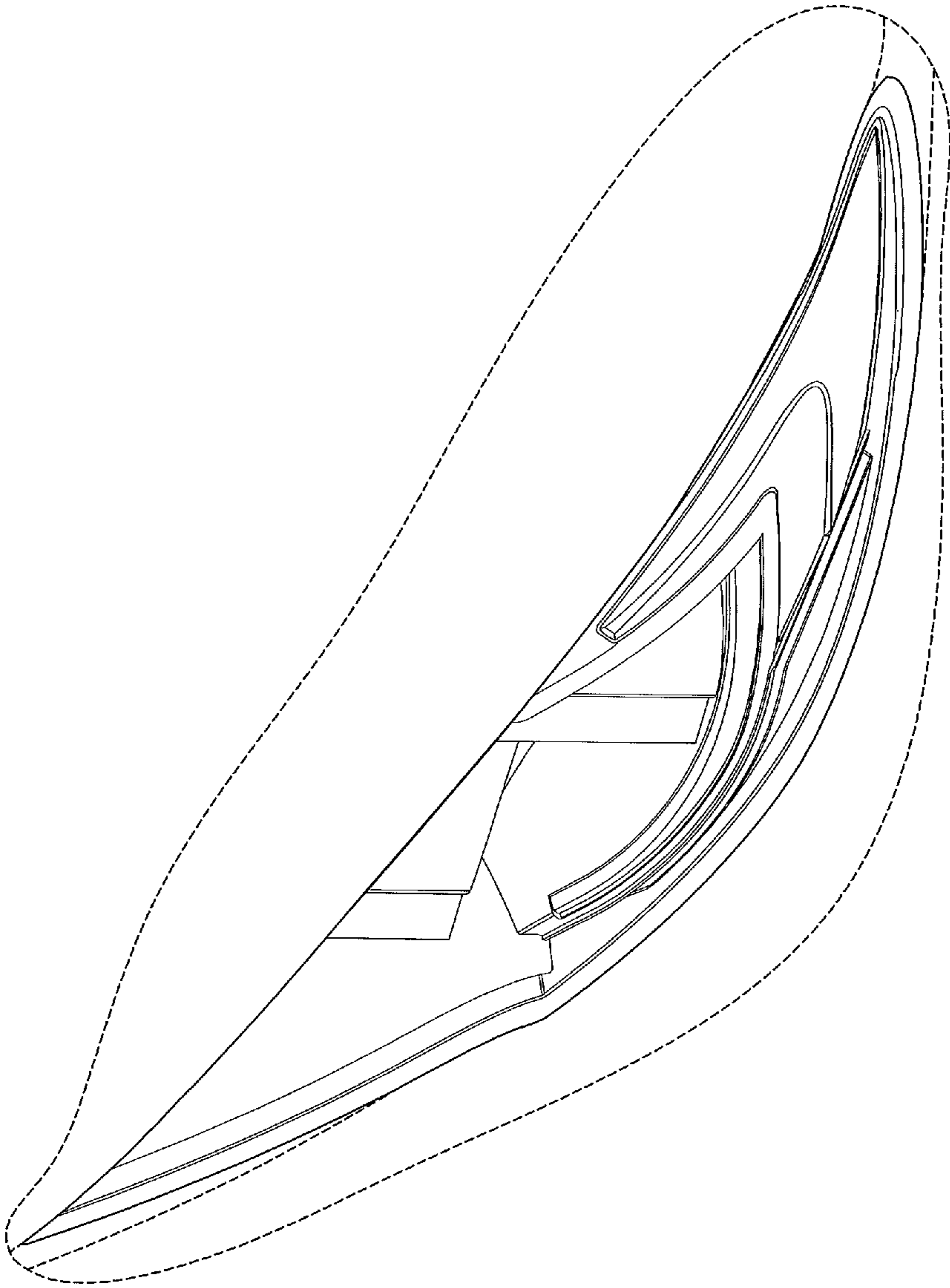


FIG . 4