



US00D721195S

(12) **United States Design Patent**
Lim et al.

(10) **Patent No.:** **US D721,195 S**
(45) **Date of Patent:** **** Jan. 13, 2015**

(54) **REAR COMBINATION LAMP FOR AN
AUTOMOBILE**

(71) Applicant: **Kia Motors Corporation**, Seoul (KR)

(72) Inventors: **Jung-Wook Lim**, Gyeonggi-do (KR);
Hwan-Wook Baek, Gyeonggi-do (KR)

(73) Assignee: **Kia Motors Corporation**, Seoul (KR)

(**) Term: **14 Years**

(21) Appl. No.: **29/463,292**

(22) Filed: **Oct. 1, 2013**

(30) **Foreign Application Priority Data**

Jun. 12, 2013 (KR) 30-2013-0030317

(51) **LOC (10) Cl.** **26-06**

(52) **U.S. Cl.**
USPC **D26/28**

(58) **Field of Classification Search**
USPC D26/28-36; 362/459-468, 475-478,
362/485-487

See application file for complete search history.

(56) **References Cited**

U.S. PATENT DOCUMENTS

D550,380 S * 9/2007 Lin D26/28
D560,292 S * 1/2008 Sato D26/28

D561,357 S * 2/2008 Leclercq D26/28
D565,211 S * 3/2008 Haller et al. D26/28
D570,015 S * 5/2008 Hsu D26/28
D574,524 S * 8/2008 Tomatsu D26/28
D602,616 S * 10/2009 Okamura et al. D26/28

* cited by examiner

Primary Examiner — Marcus Jackson

(74) *Attorney, Agent, or Firm* — Edwards Wildman Palmer
LLP; Peter F. Corless

(57) **CLAIM**

The ornamental design for a rear combination lamp for an
automobile, as shown and described.

DESCRIPTION

FIG. 1 is a perspective view of a rear combination lamp for an
automobile according to the present invention.

FIG. 2 is a front view of the rear combination lamp for an
automobile of FIG. 1.

FIG. 3 is a rear view of the rear combination lamp for an
automobile of FIG. 1.

FIG. 4 is a left side view of the rear combination lamp for an
automobile of FIG. 1.

FIG. 5 is a right side view of the rear combination lamp for an
automobile of FIG. 1.

FIG. 6 is a top view of the rear combination lamp for an
automobile of FIG. 1; and,

FIG. 7 is a bottom view of the rear combination lamp for an
automobile of FIG. 1.

1 Claim, 7 Drawing Sheets

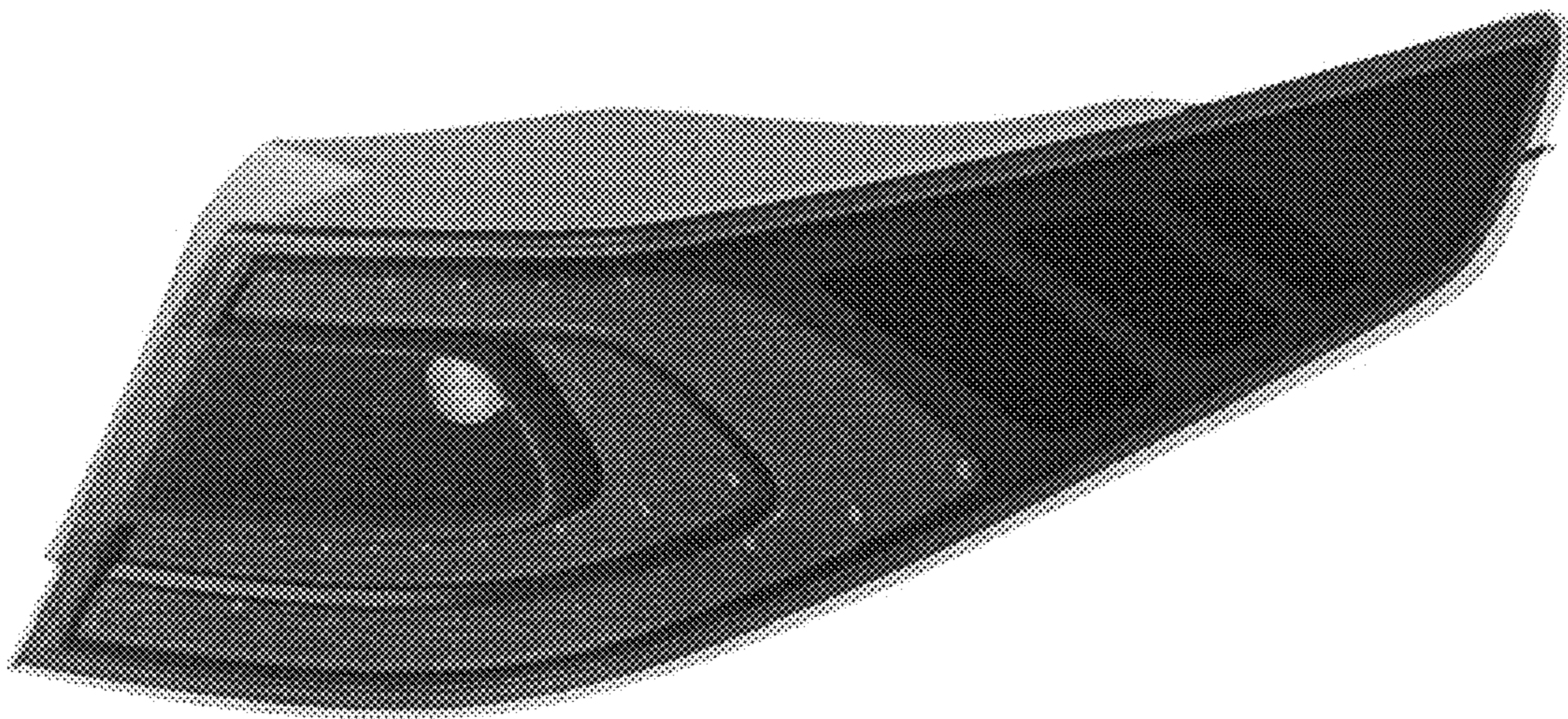


FIG. 1

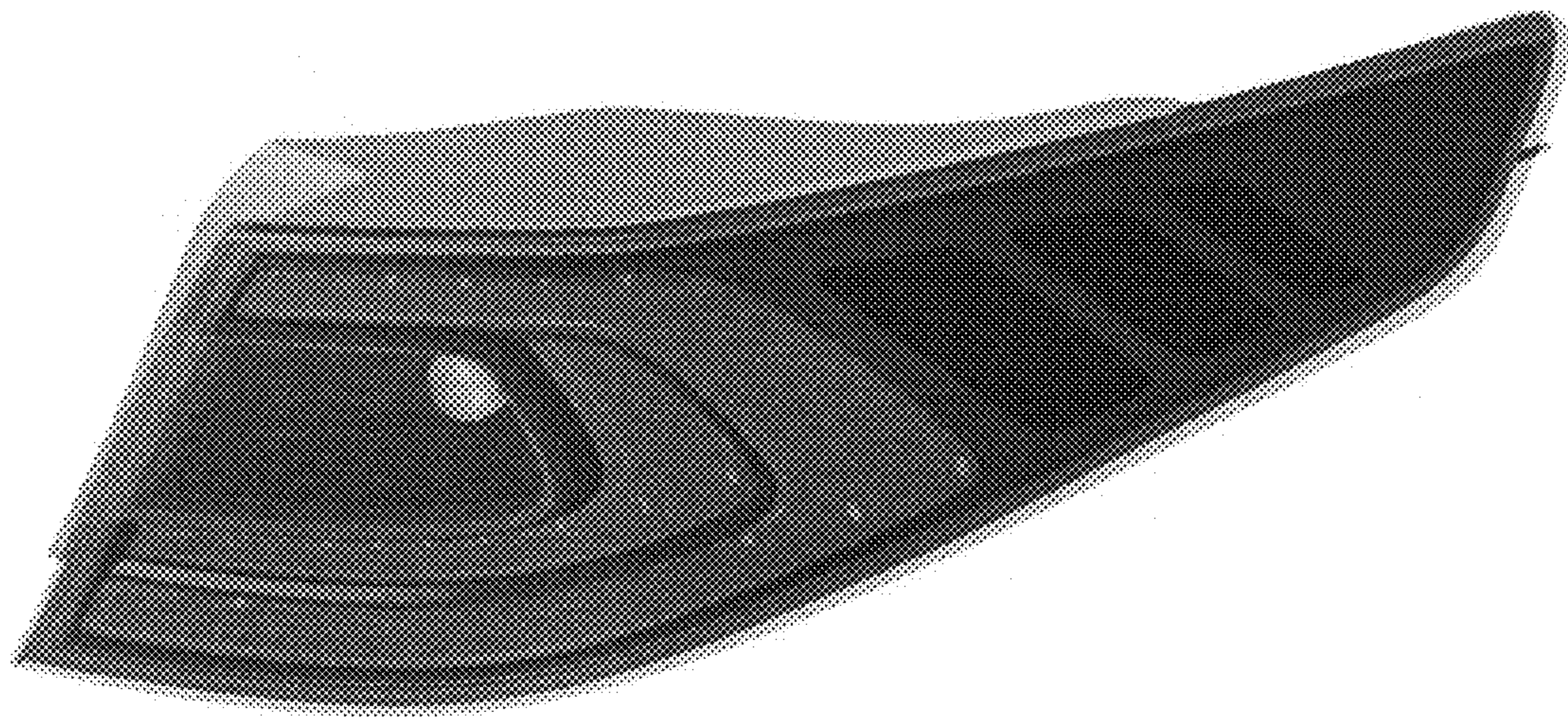


FIG. 2

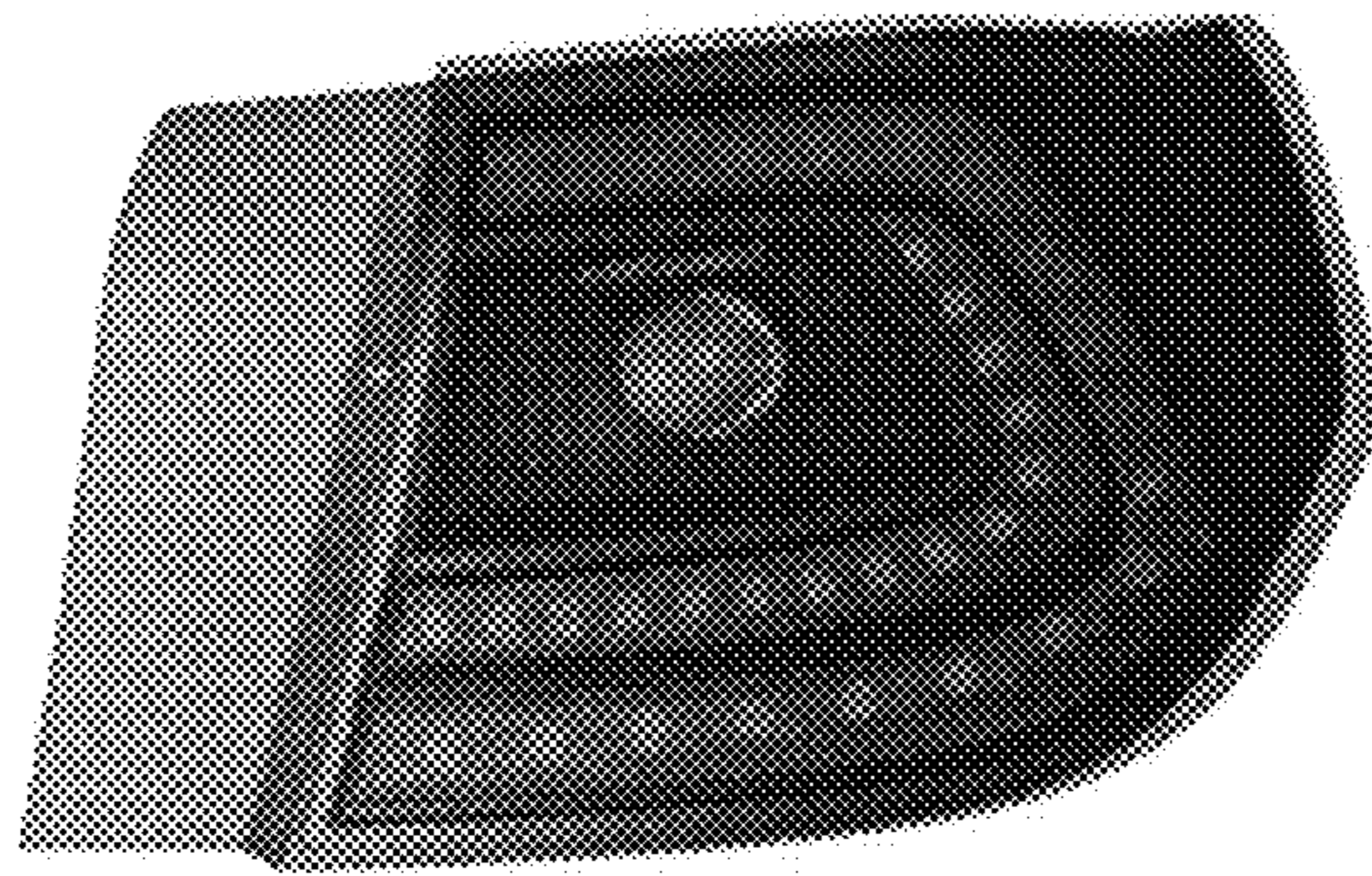


FIG. 3

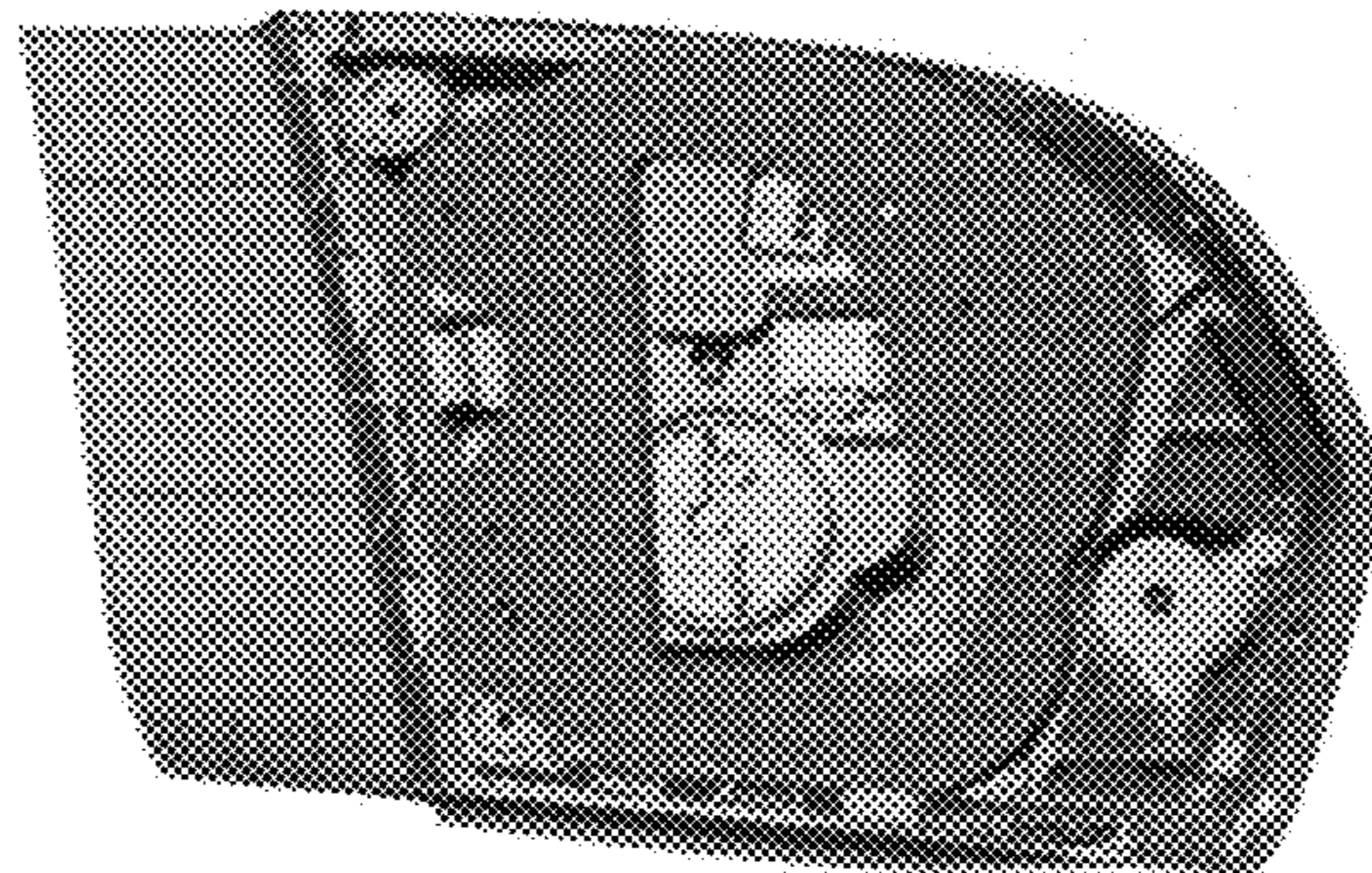


FIG. 4

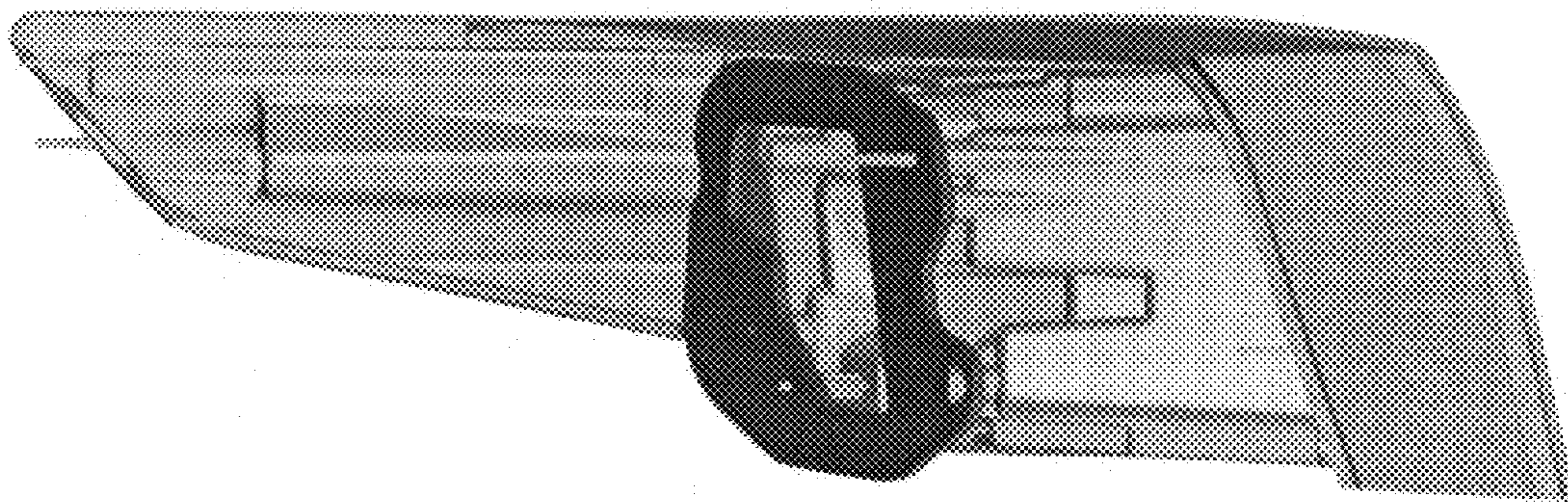


FIG. 5

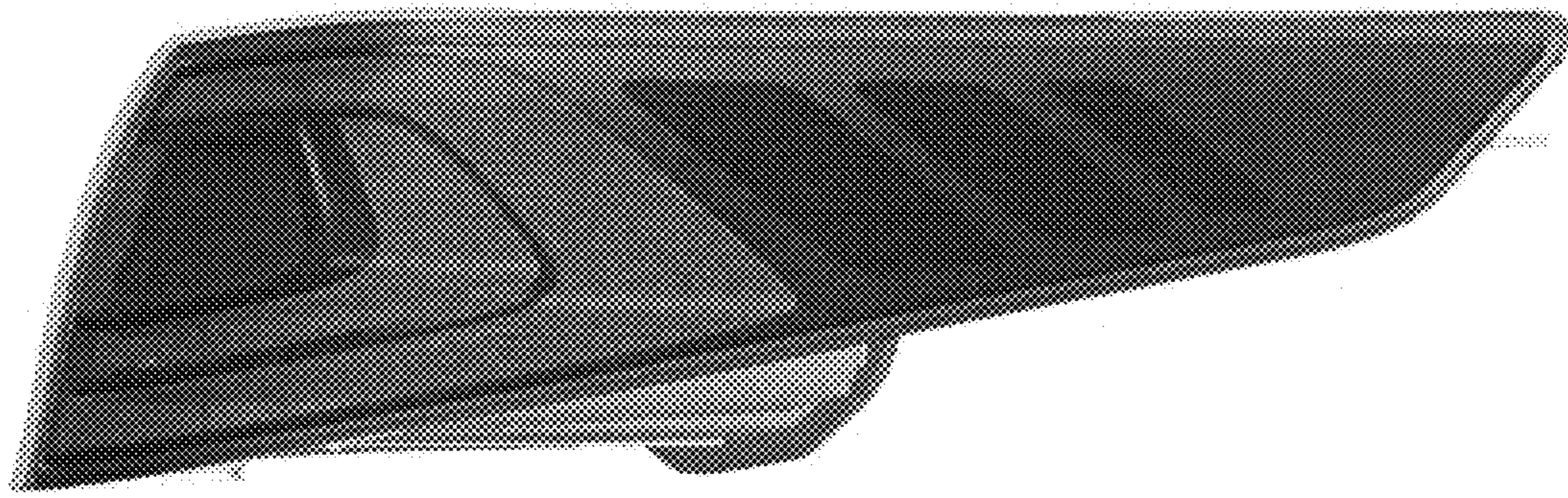


FIG. 6

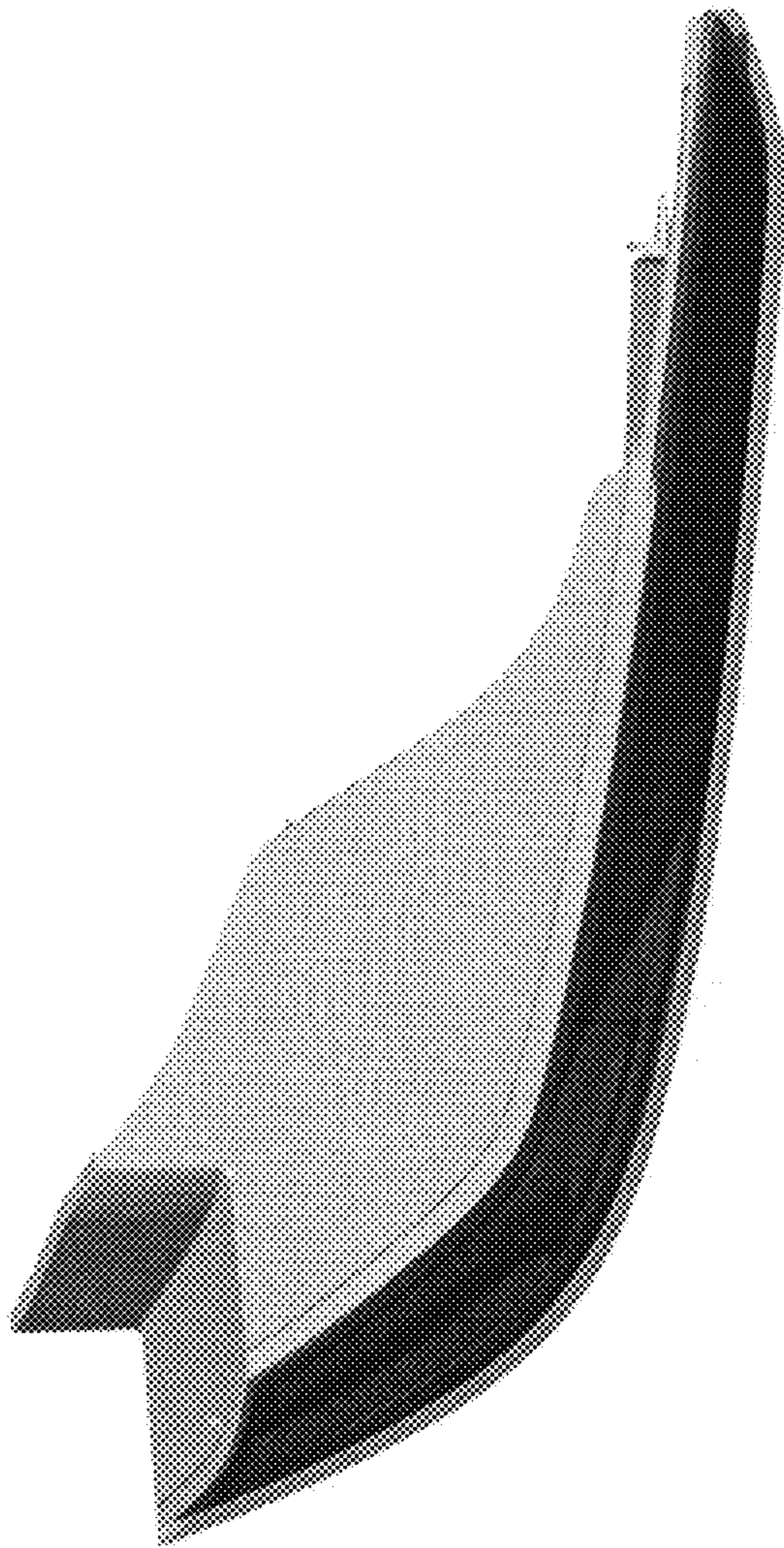


FIG. 7

