



US00D721187S

(12) **United States Design Patent**  
**Cute**

(10) **Patent No.:** **US D721,187 S**  
(45) **Date of Patent:** **\*\* Jan. 13, 2015**

- (54) **TRELLIS WITH IVY**
- (71) Applicant: **Sun Hill Industries, Inc.**, Fairfield, CA (US)
- (72) Inventor: **Joseph E. Cute**, Geneva, IL (US)
- (73) Assignee: **Sun Hill Industries**, Fairfield, CA (US)
- (\*\*) Term: **14 Years**
- (21) Appl. No.: **29/433,904**
- (22) Filed: **Oct. 5, 2012**
- (51) **LOC (10) Cl.** ..... **08-99**
- (52) **U.S. Cl.**  
USPC ..... **D25/101**
- (58) **Field of Classification Search**  
USPC ..... D25/101; 47/45, 47, 70  
See application file for complete search history.

2,181,016 A \* 11/1939 Gross ..... 47/29.1  
D194,627 S \* 2/1963 Jacobsen ..... D25/101

\* cited by examiner

*Primary Examiner* — Doris Clark  
(74) *Attorney, Agent, or Firm* — Riverside Law LLP

(57) **CLAIM**  
I claim the ornamental design for a trellis with ivy, as shown and described.

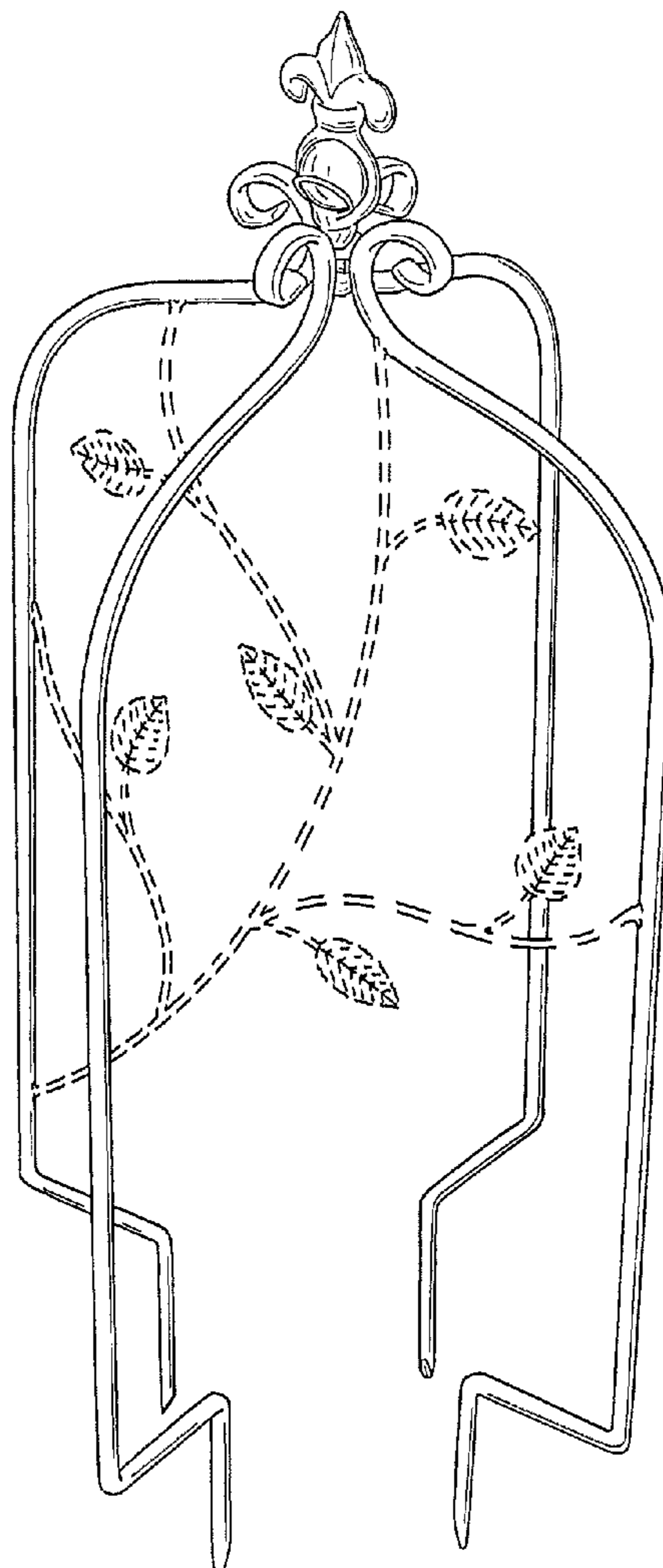
**DESCRIPTION**

FIG. 1 is a perspective view of a trellis with ivy;  
FIG. 2 is a front view thereof;  
FIG. 3 is a rear view thereof;  
FIG. 4 is a right side view thereof;  
FIG. 5 is a left side view thereof;  
FIG. 6 is a top view thereof; and,  
FIG. 7 is a bottom view thereof.  
The broken lines form no part of the claimed design.

- (56) **References Cited**  
U.S. PATENT DOCUMENTS

2,009,867 A \* 7/1935 Ball ..... 47/44

**1 Claim, 6 Drawing Sheets**



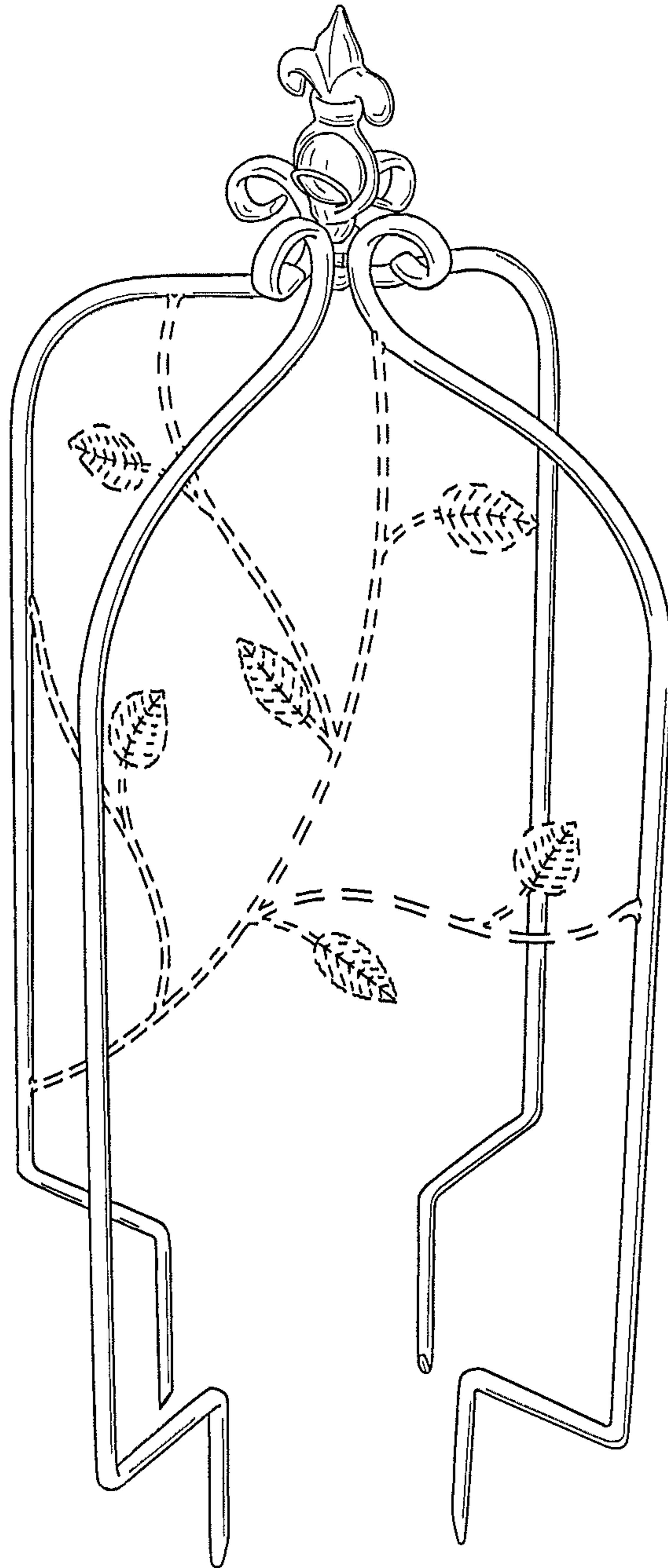


FIG. 1

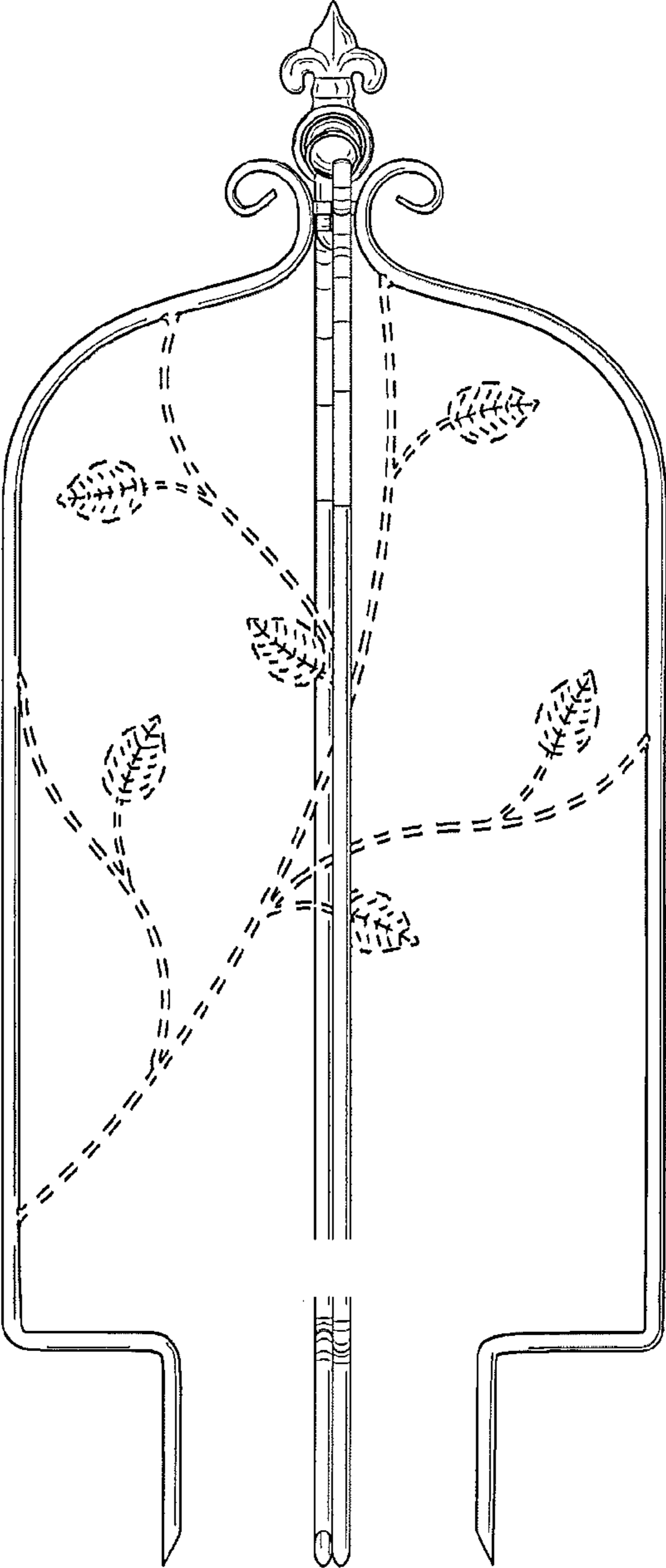


FIG. 2

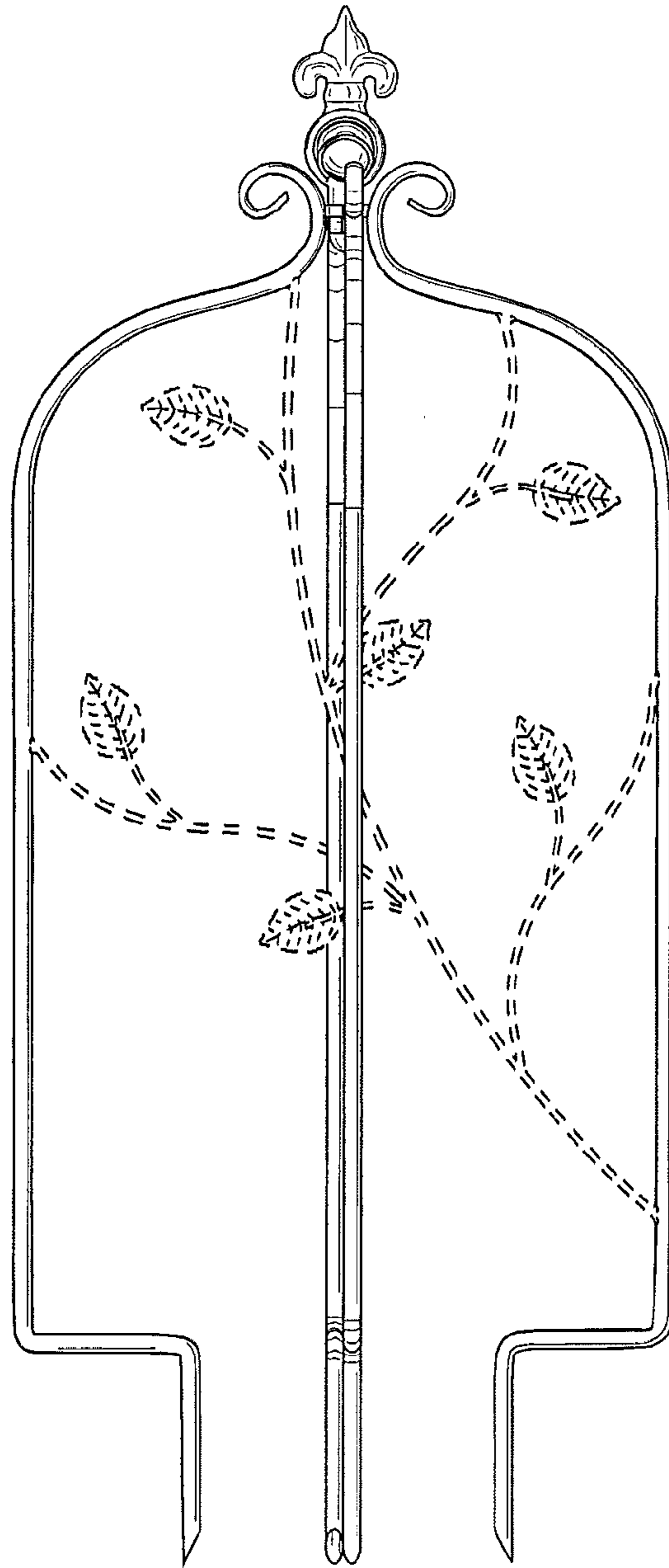


FIG. 3

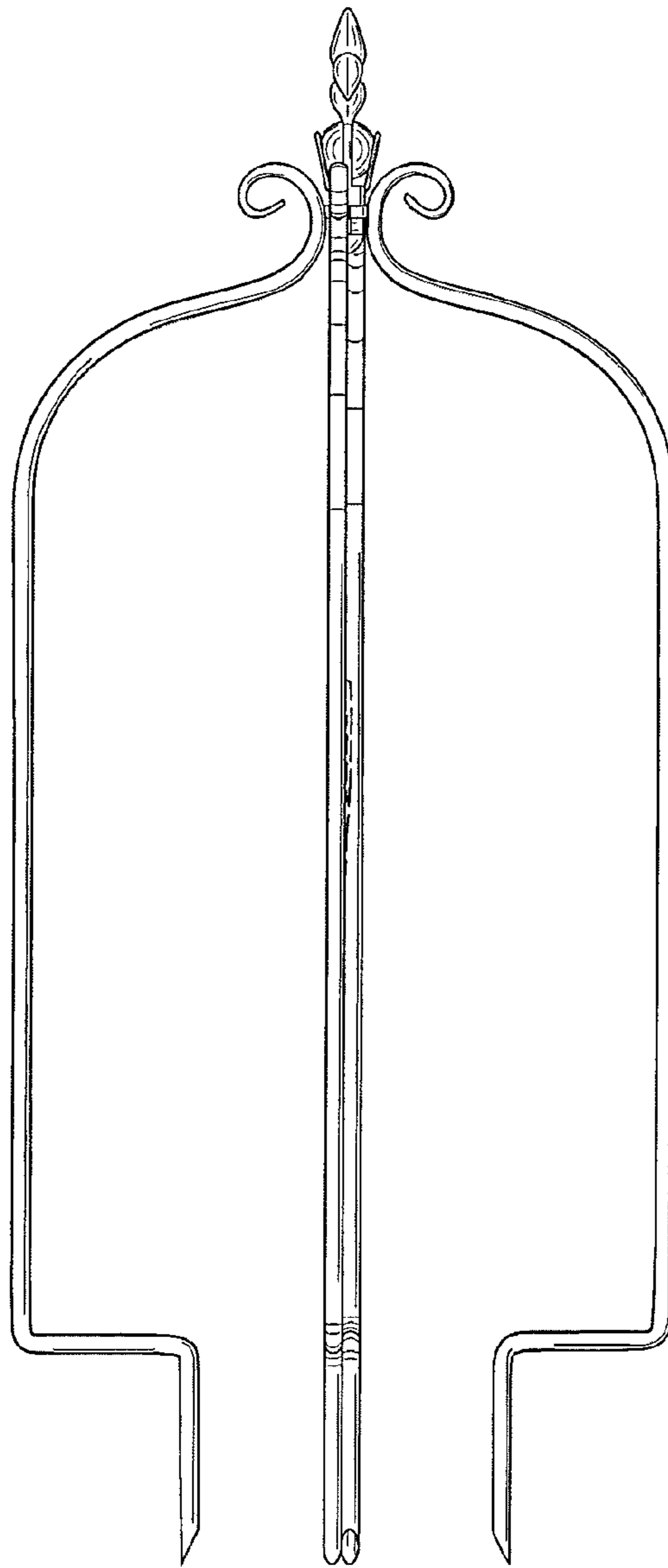


FIG. 4

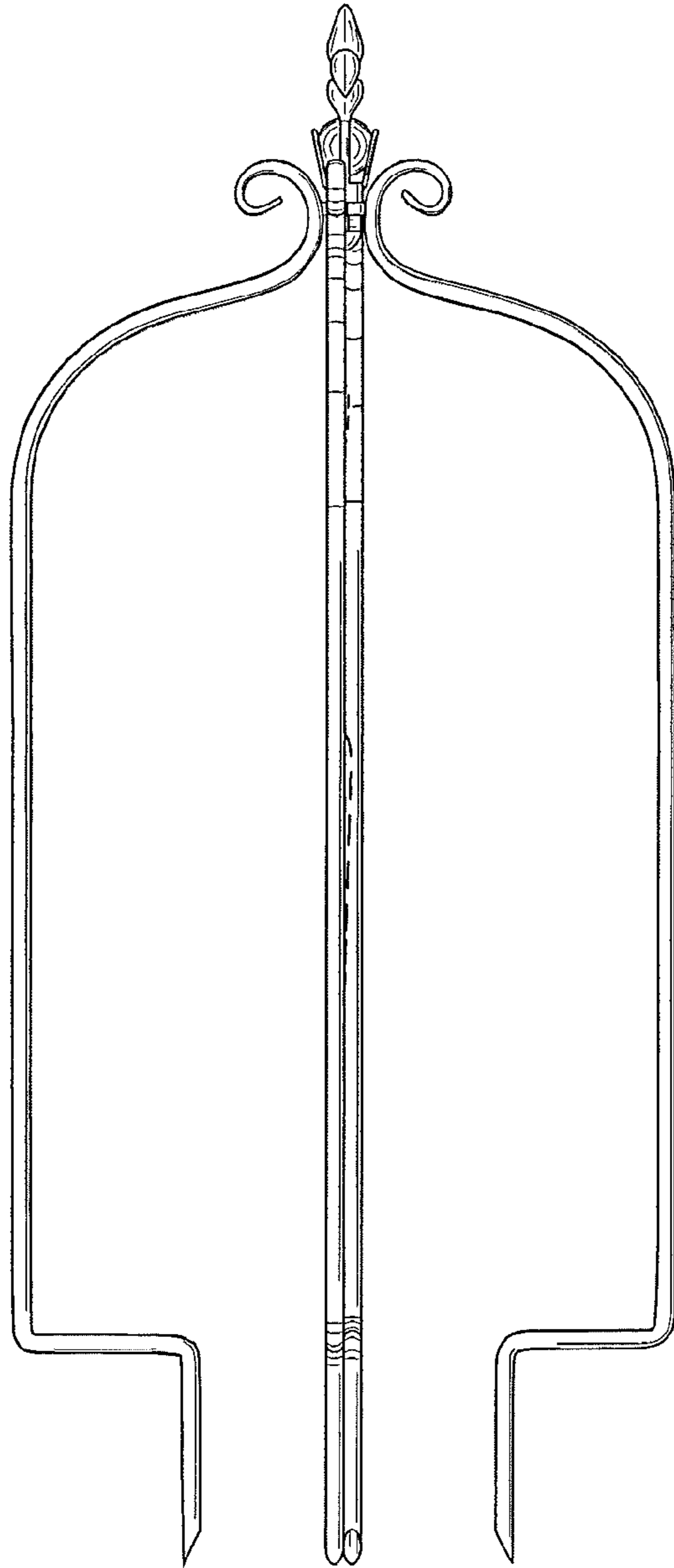


FIG. 5

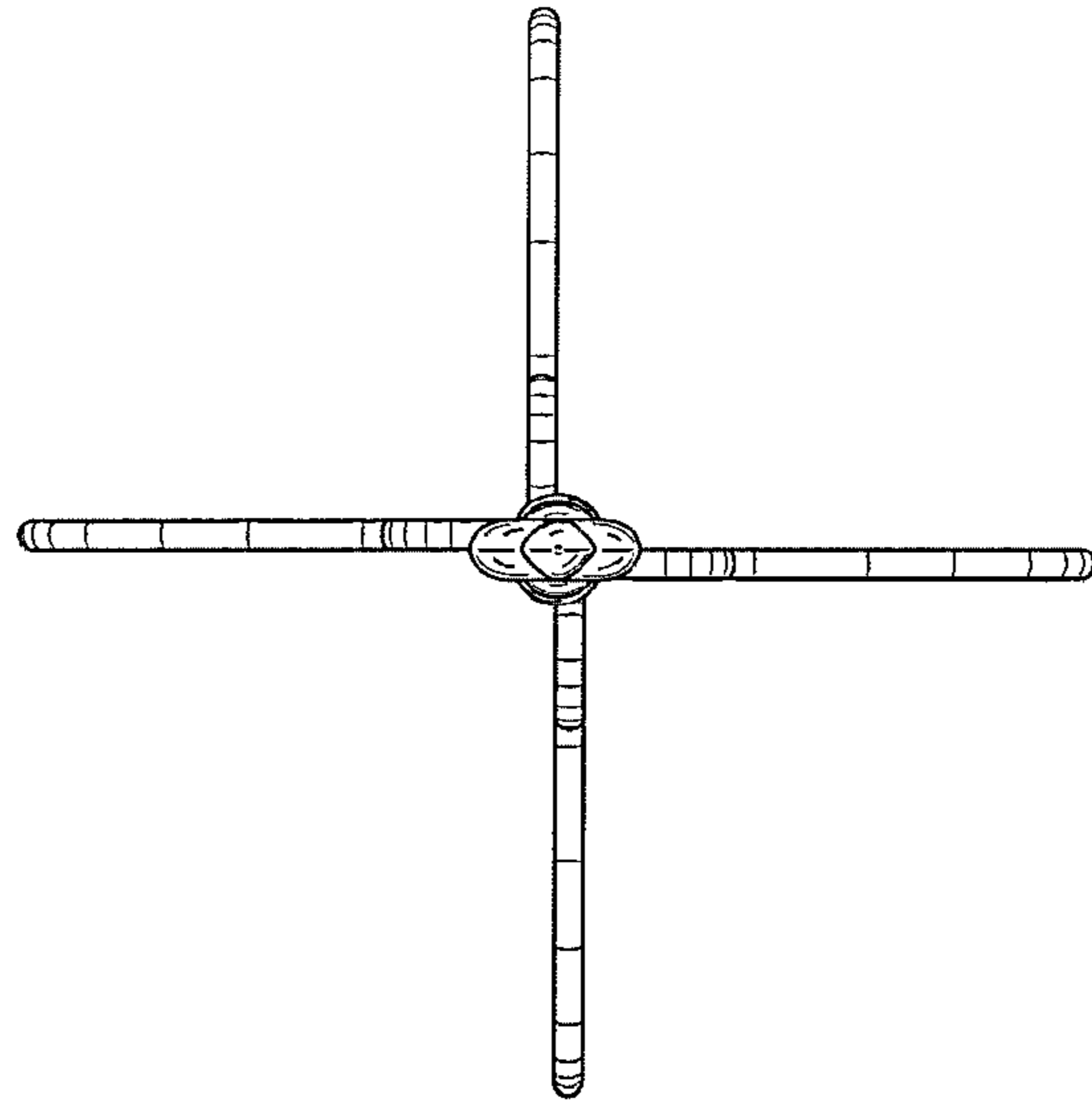


FIG. 6

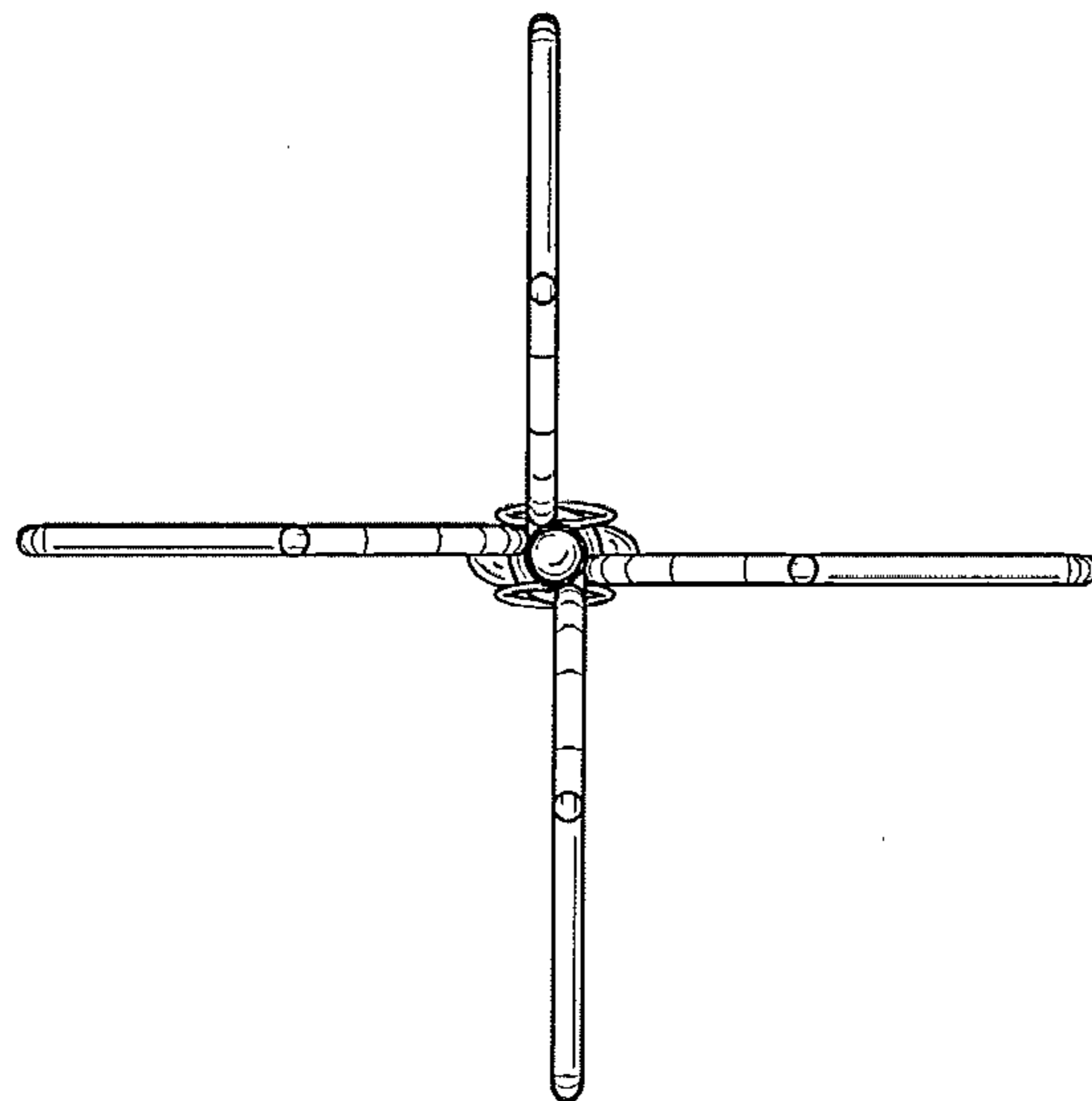


FIG. 7