



US00D721185S

(12) **United States Design Patent**
Ogorodnii

(10) **Patent No.:** **US D721,185 S**

(45) **Date of Patent:** **** Jan. 13, 2015**

(54) **KIOSK**

(71) Applicant: **Dmytro Ogorodnii**, Dnipropetrovsk
(UA)

(72) Inventor: **Dmytro Ogorodnii**, Dnipropetrovsk
(UA)

(**) Term: **14 Years**

(21) Appl. No.: **29/440,657**

(22) Filed: **Dec. 25, 2012**

(51) **LOC (10) Cl.** **25-03**

(52) **U.S. Cl.**
USPC **D25/10**

(58) **Field of Classification Search**
USPC D25/10, 7, 18, 31; 52/36.1, 36.2
See application file for complete search history.

(56) **References Cited**

U.S. PATENT DOCUMENTS

D78,027 S *	3/1929	Hunt	D25/10
D78,424 S *	4/1929	Wilhite	D25/10
D78,662 S *	5/1929	Soucie	D25/10
D87,080 S *	5/1932	La Payne et al.	D25/10
D171,550 S *	2/1954	Mayer	D12/83

D204,372 S *	4/1966	Shannon	D25/10
D215,205 S *	9/1969	Mumford	D25/10
D264,202 S *	5/1982	Elkins et al.	D12/83
D305,263 S *	12/1989	Dickerson	D25/10
D326,691 S *	6/1992	Mephram et al.	D21/560
D351,238 S *	10/1994	Liotine	D25/10
D409,760 S *	5/1999	Cavallaro	D25/10
D633,010 S *	2/2011	Hixson et al.	D12/102
D653,995 S *	2/2012	Hixson et al.	D12/102
8,813,434 B2 *	8/2014	Koppelman et al.	52/79.5

* cited by examiner

Primary Examiner — John Windmuller

(74) *Attorney, Agent, or Firm* — Inventa Capital PLC

(57) **CLAIM**

I claim the ornamental design for a kiosk, as shown and described.

DESCRIPTION

FIG. 1 is a perspective view of a kiosk of the present invention;
FIG. 2 is a front view of the kiosk of FIG. 1;
FIG. 3 is a back view of the kiosk of FIG. 1;
FIG. 4 is a top view of the kiosk of FIG. 1; and,
FIG. 5 is a side view of the kiosk of FIG. 1.

1 Claim, 3 Drawing Sheets

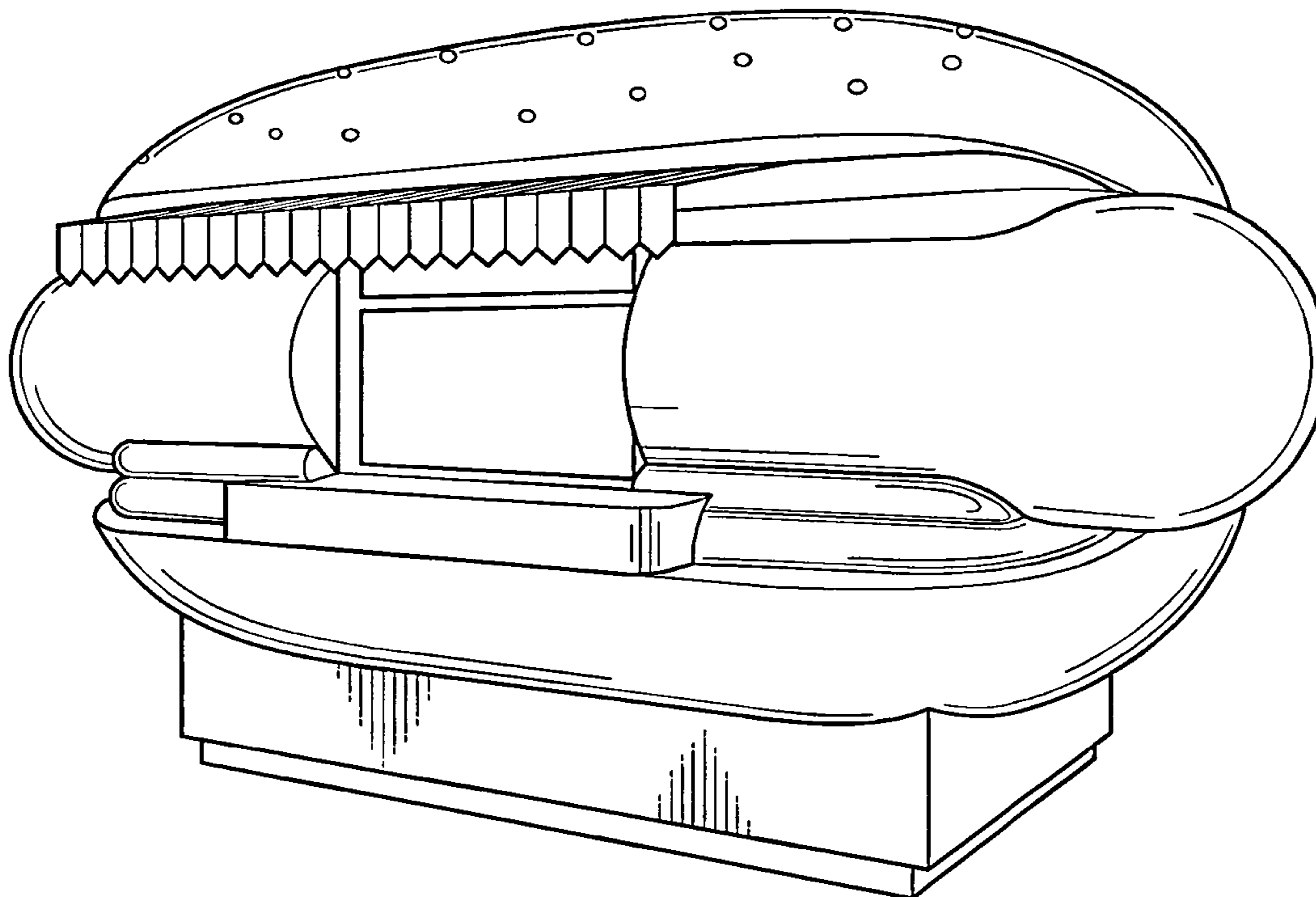


FIG. 1

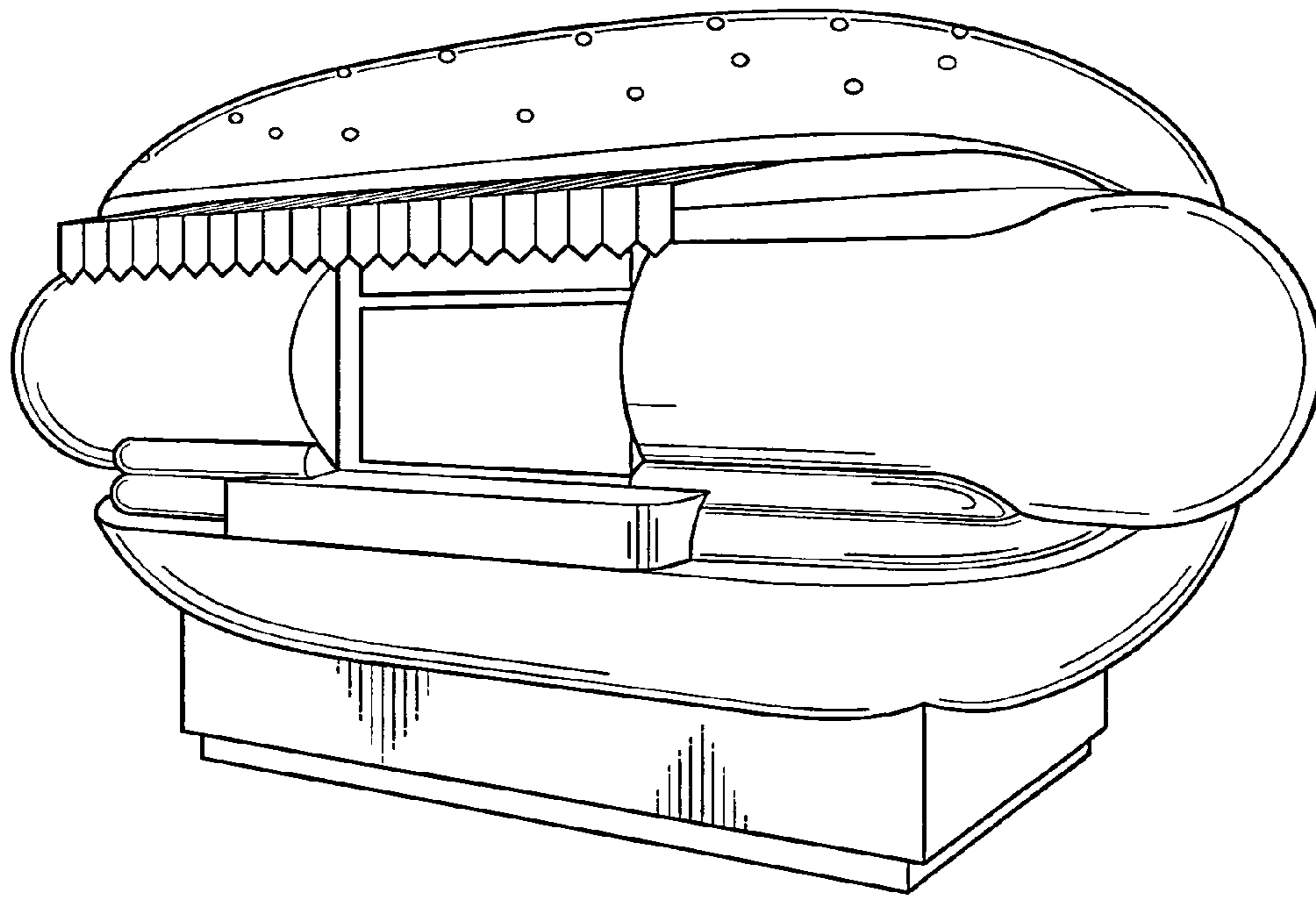


FIG. 2

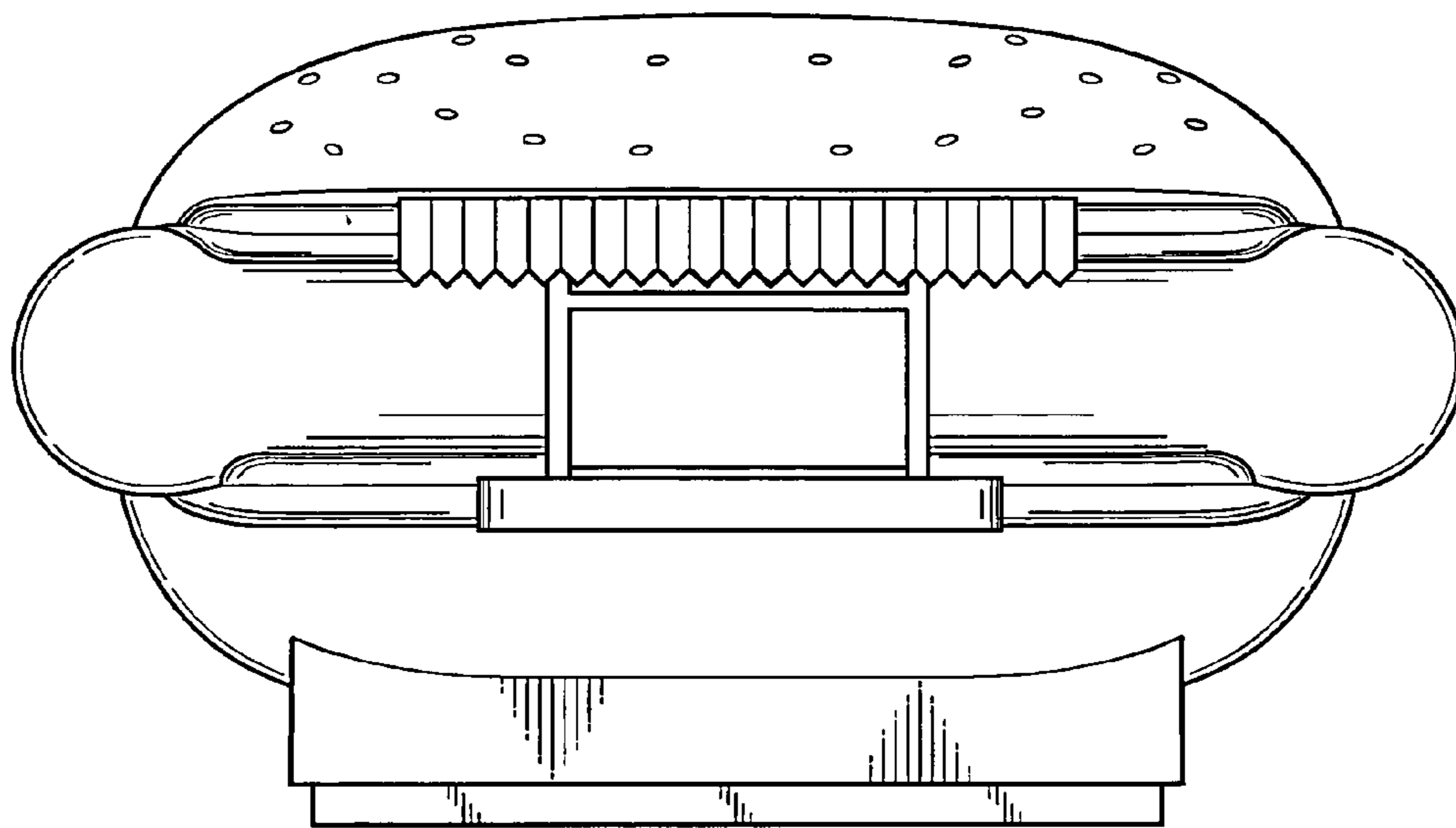


FIG. 3

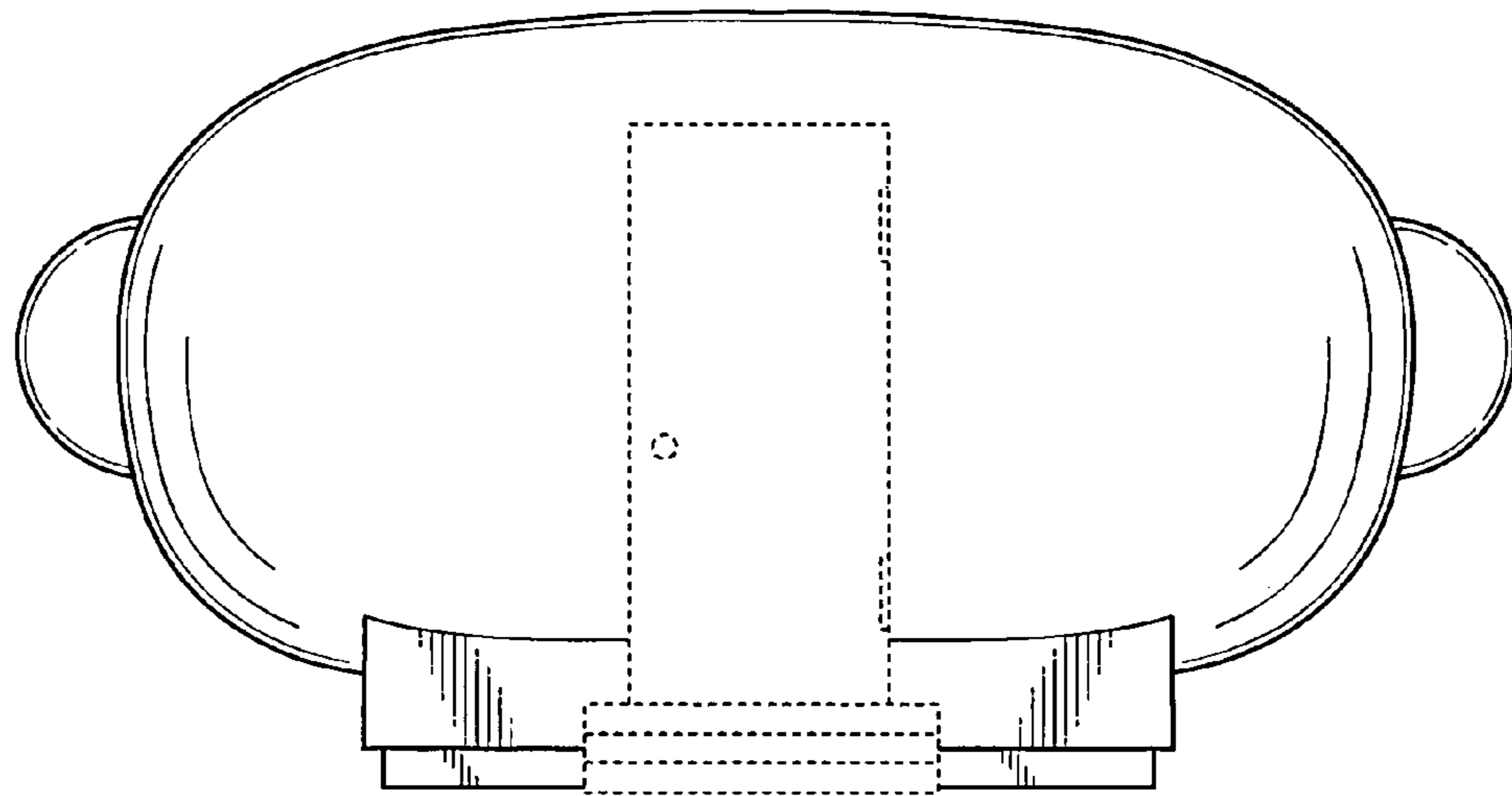
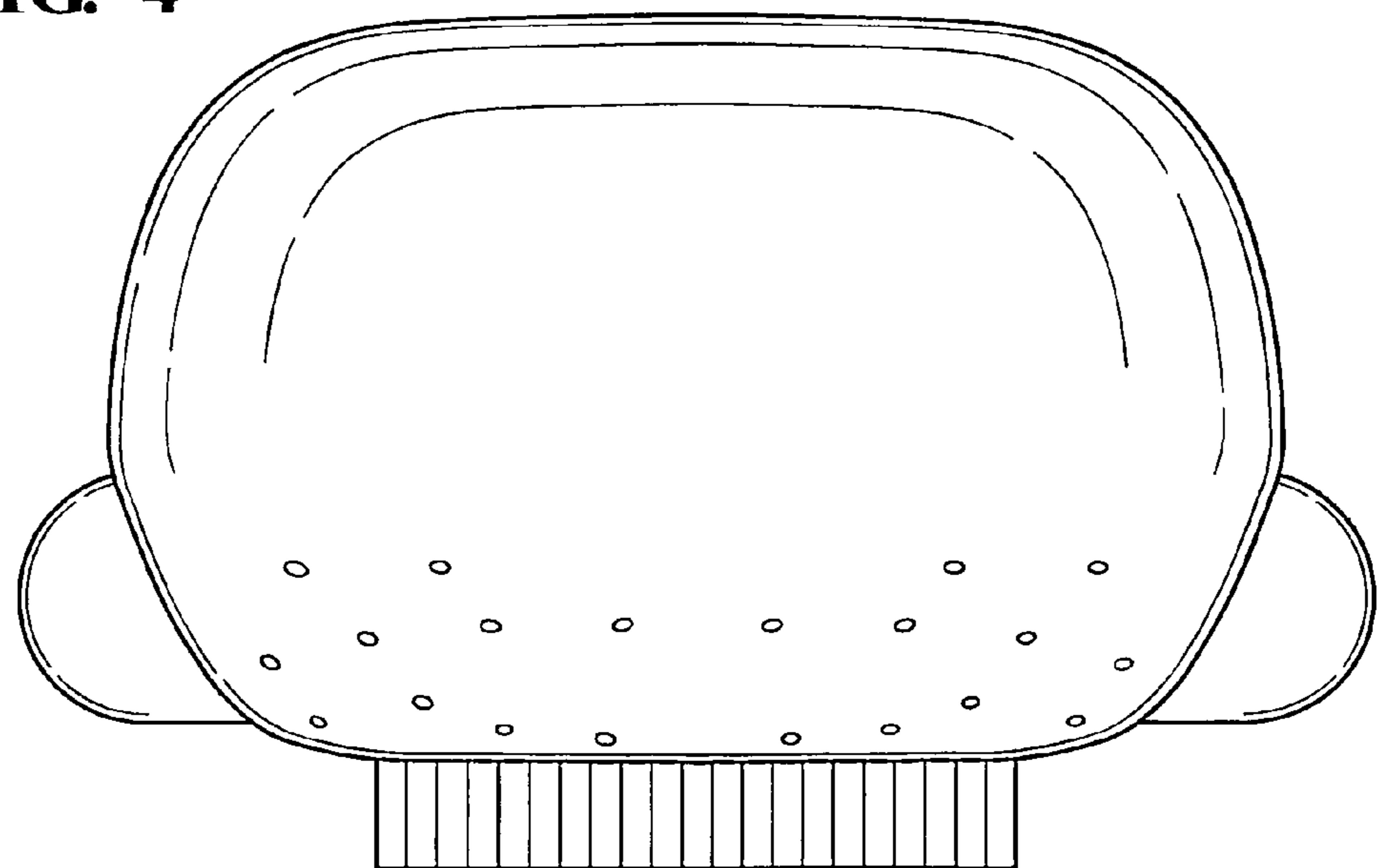


FIG. 4



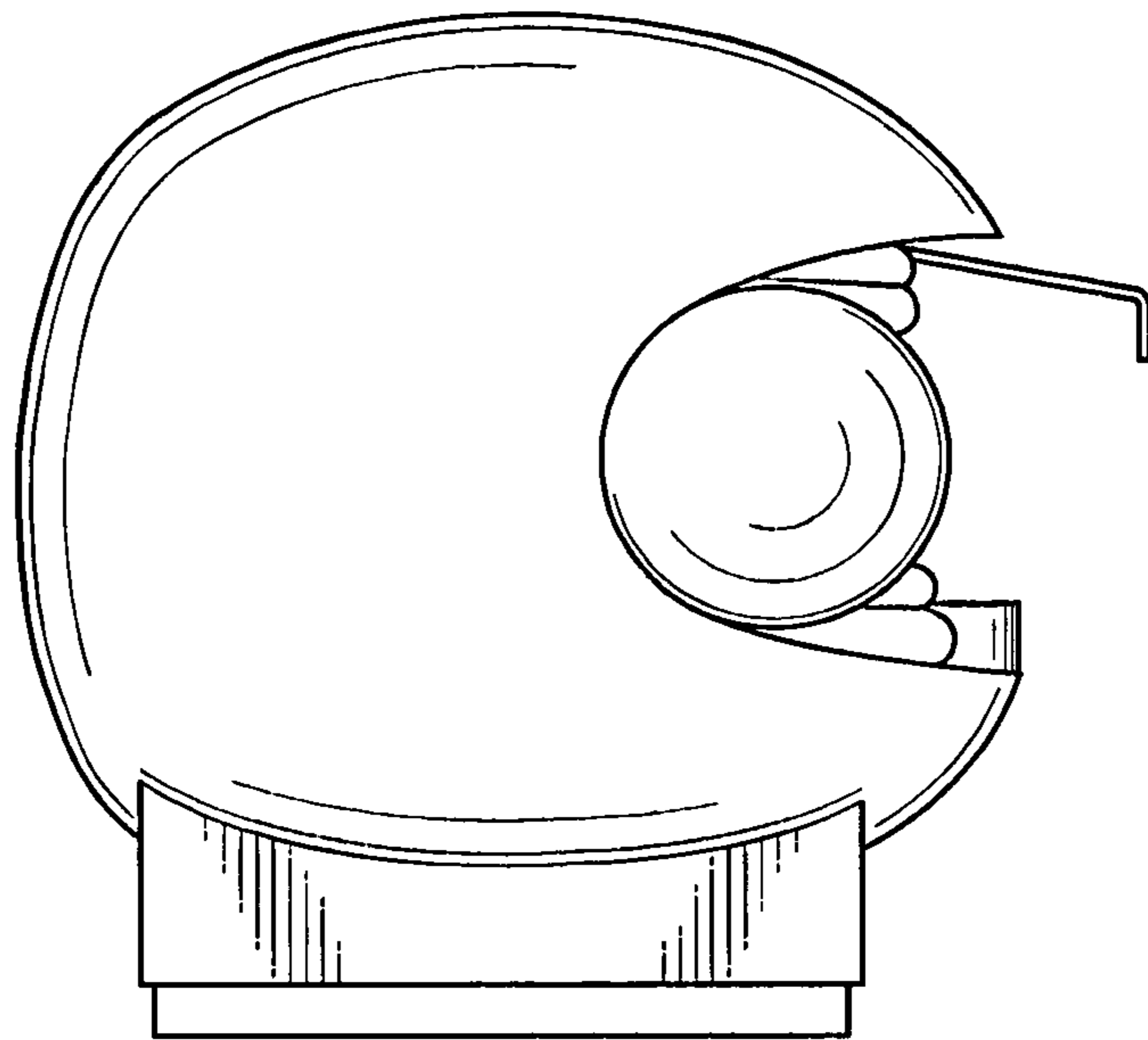


FIG. 5