



US00D721184S

(12) **United States Design Patent**
Chamberlin et al.

(10) **Patent No.:** **US D721,184 S**
(45) **Date of Patent:** **** Jan. 13, 2015**

(54) **INSTRUMENT**

(71) Applicant: **Meso Scale Technologies, LLC**,
Rockville, MD (US)
(72) Inventors: **Ian Chamberlin**, Burtonsville, MD
(US); **Charles M. Clinton**, Clarksburg,
MD (US); **Eli N. Glezer**, Del Mar, CA
(US); **Manish Kochar**, Rockville, MD
(US); **Sandor Kovacs**, Middletown, DE
(US); **Aaron Leimkuehler**, Pittsburgh,
PA (US); **Rodger Darin Osborne**,
Stuart, FL (US); **Jacob N. Wohlstadter**,
Potomac, MD (US)
(73) Assignee: **Meso Scale Technologies, LLC**,
Rockville, MD (US)

(**) Term: **14 Years**

(21) Appl. No.: **29/486,611**

(22) Filed: **Apr. 1, 2014**

(51) **LOC (10) Cl.** **24-01**

(52) **U.S. Cl.**
USPC **D24/216**

(58) **Field of Classification Search**
USPC D24/216, 219, 223, 231, 232, 233, 186,
D24/107; D10/81; 422/63-67, 509; 436/43,
436/47, 51, 52, 180; 435/286.1, 286.4,
435/286.5, 287.3; 73/863.01, 863.02,
73/863.03, 863.31, 863.32

See application file for complete search history.

(56) **References Cited**

U.S. PATENT DOCUMENTS

D282,399	S	*	1/1986	Stafford	D24/223
D400,673	S	*	11/1998	Kheiri et al.	D24/232
D415,840	S	*	10/1999	Lamond et al.	D24/219
D493,232	S	*	7/2004	Wohlstadter et al.	D24/216
D516,221	S	*	2/2006	Wohlstadter et al.	D24/216
D617,909	S	*	6/2010	Taniguchi et al.	D24/219
D705,437	S	*	5/2014	Chamberlin et al.	D24/216

* cited by examiner

Primary Examiner — Anhdao Doan

(74) *Attorney, Agent, or Firm* — Scully, Scott, Murphy & Presser, P.C.

(57) **CLAIM**

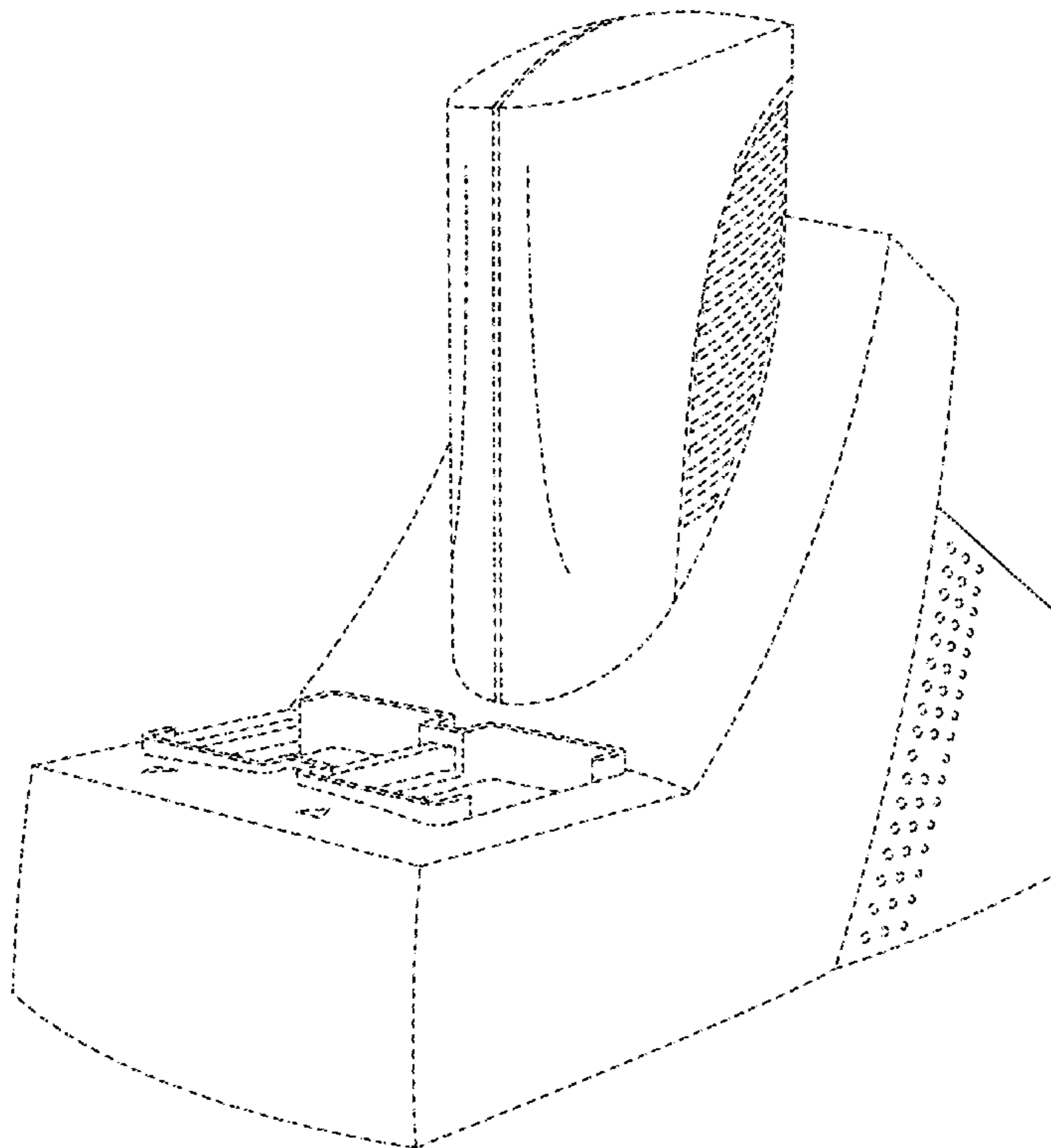
The ornamental design for an instrument, as shown and described.

DESCRIPTION

FIG. 1 is a perspective view of the instrument showing our new and ornamental design;
FIG. 2 is a front view thereof;
FIG. 3 is back view thereof;
FIG. 4 is left view thereof;
FIG. 5 is a right view thereof; and,
FIG. 6 is a top view thereof.

The broken lines in the drawings represent unclaimed portions of the instrument and form a part of the claimed design.

1 Claim, 6 Drawing Sheets



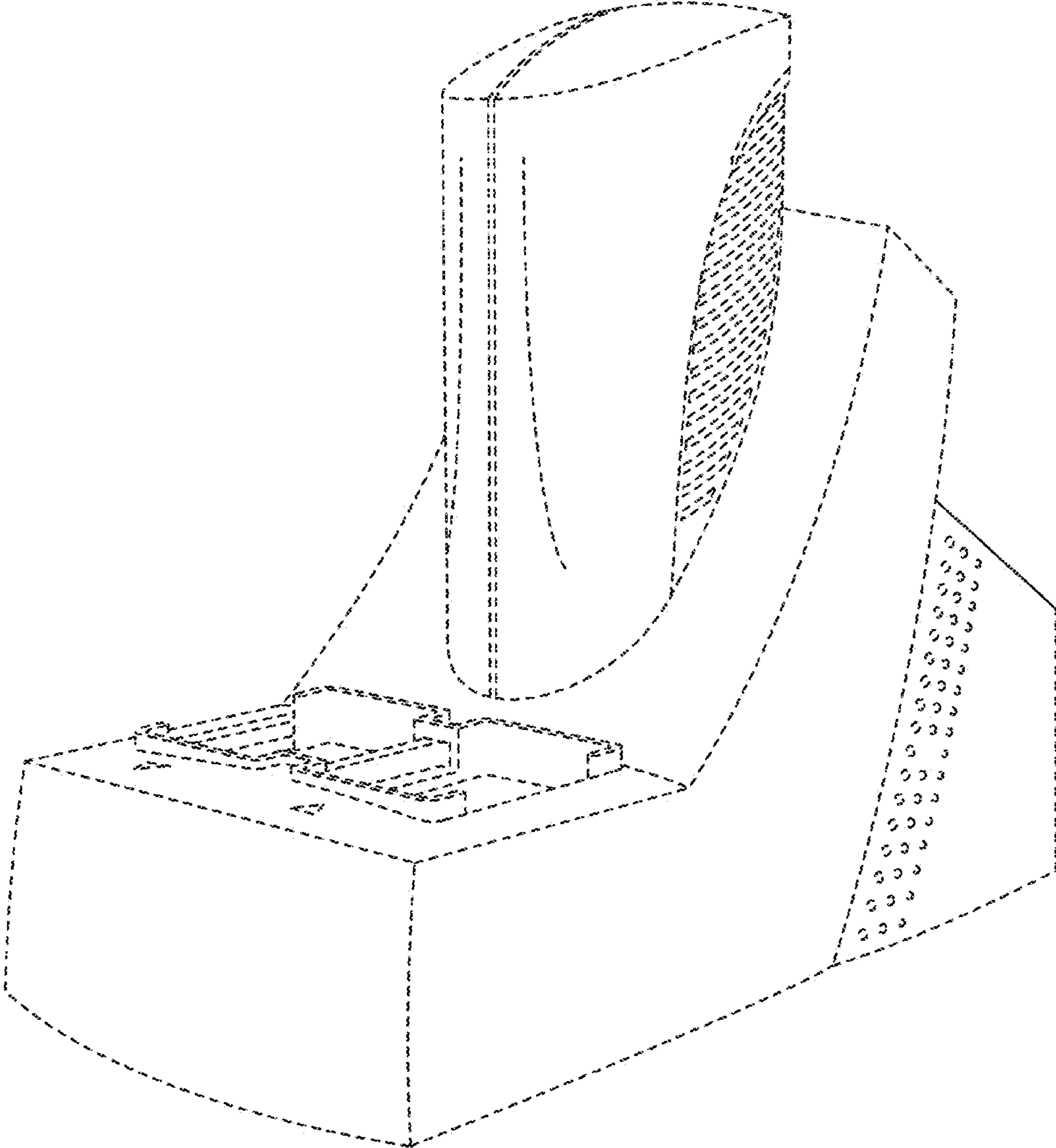


FIG. 1

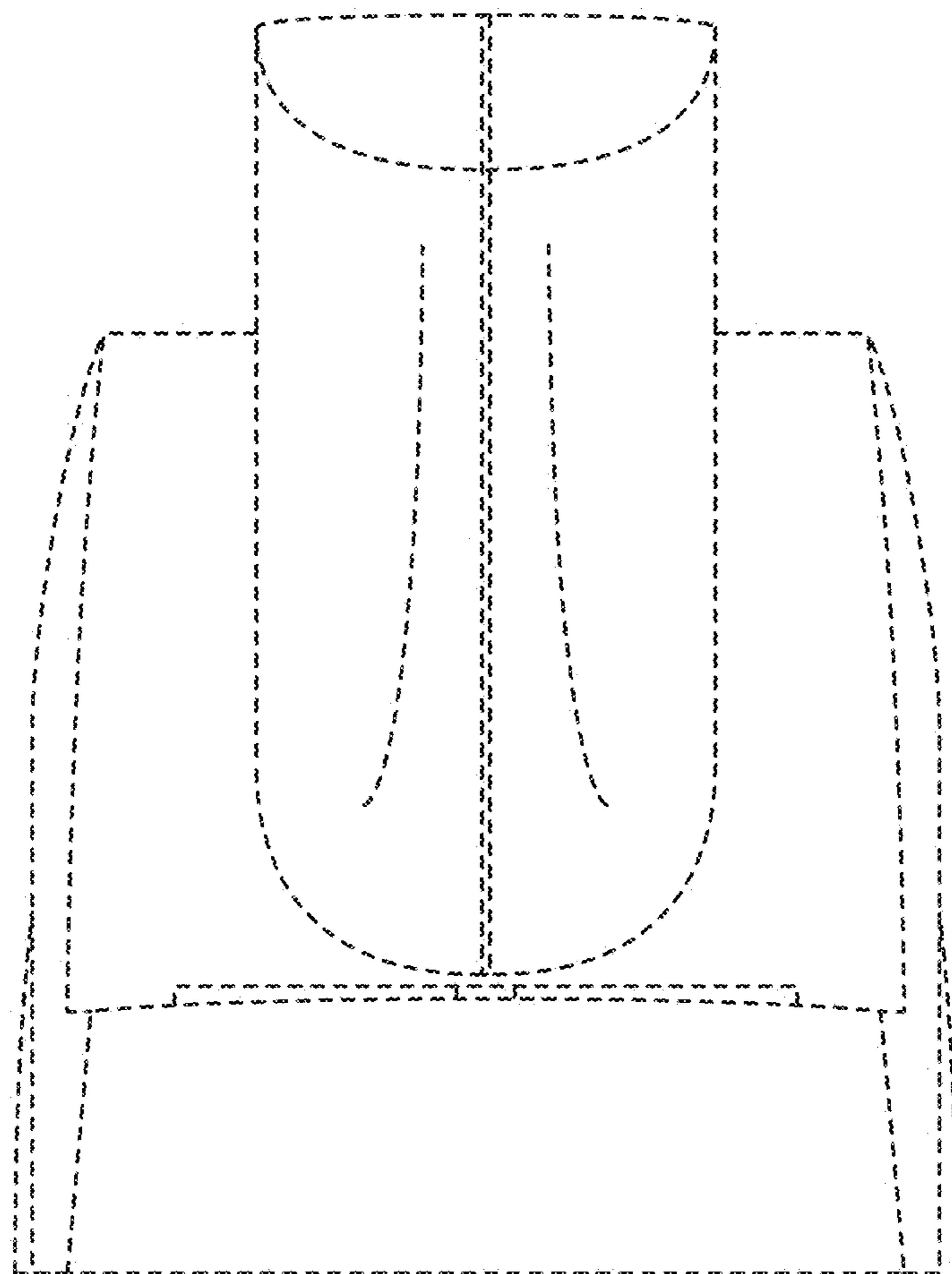


FIG. 2

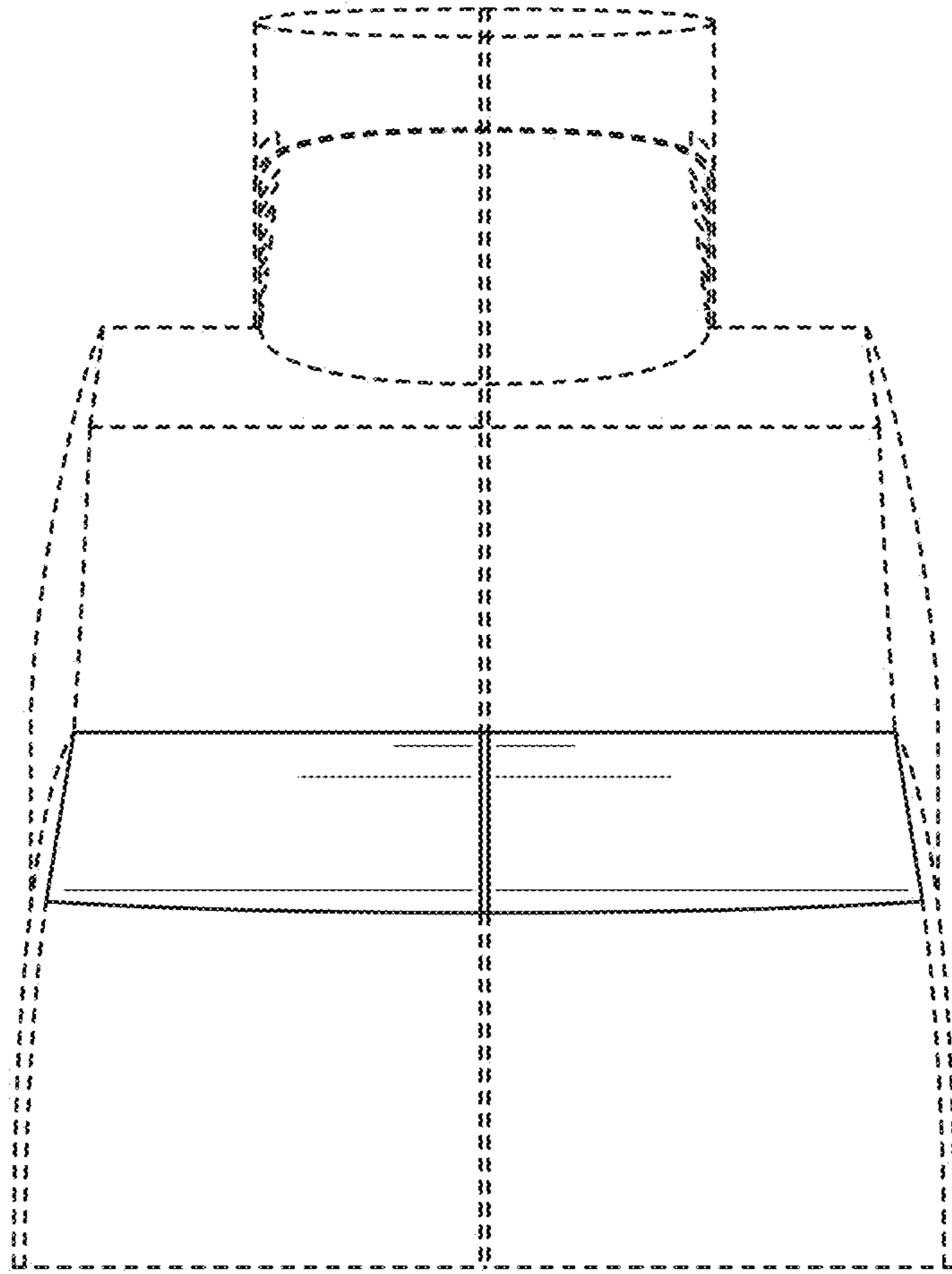


FIG. 3

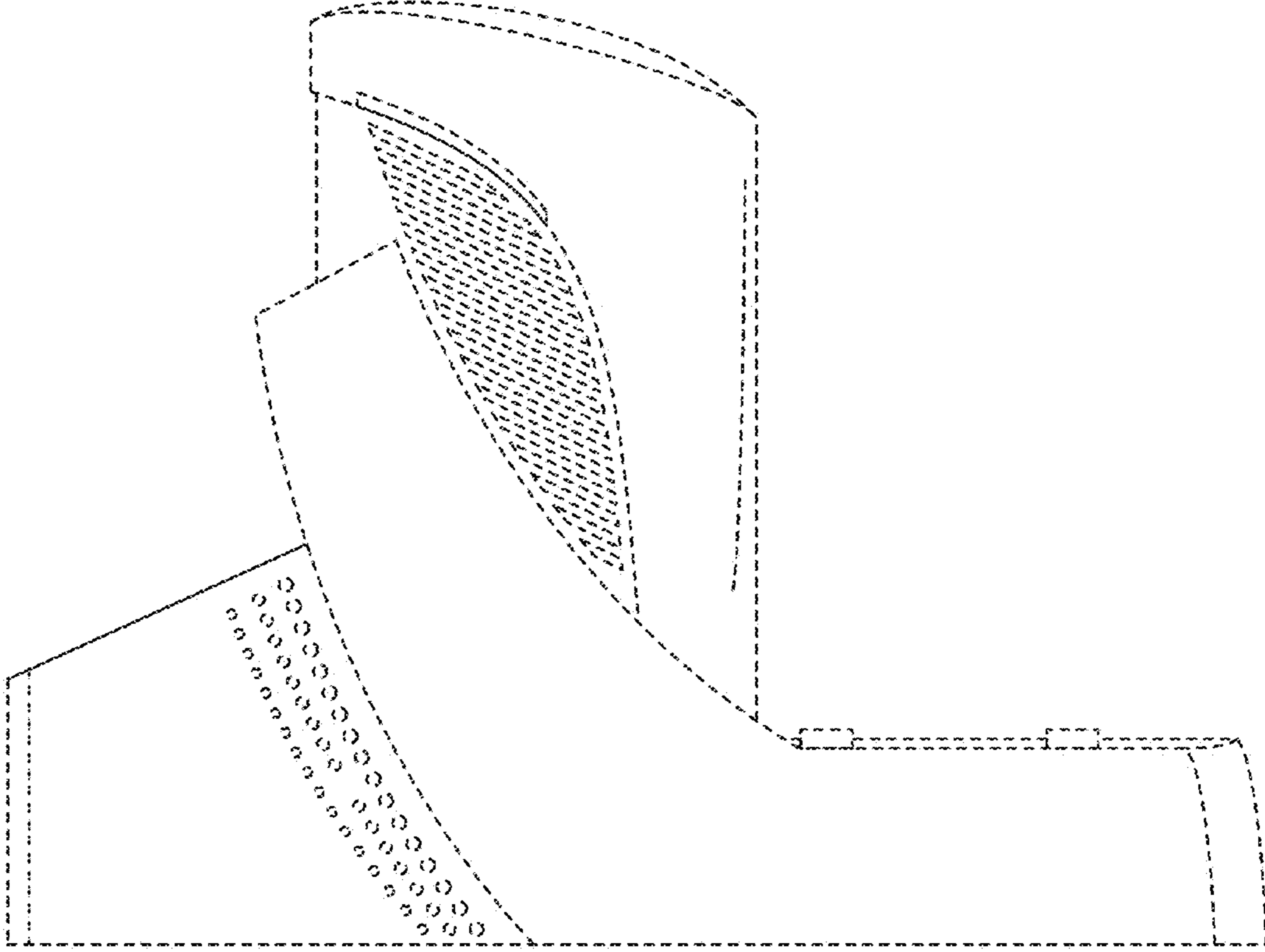


FIG. 4

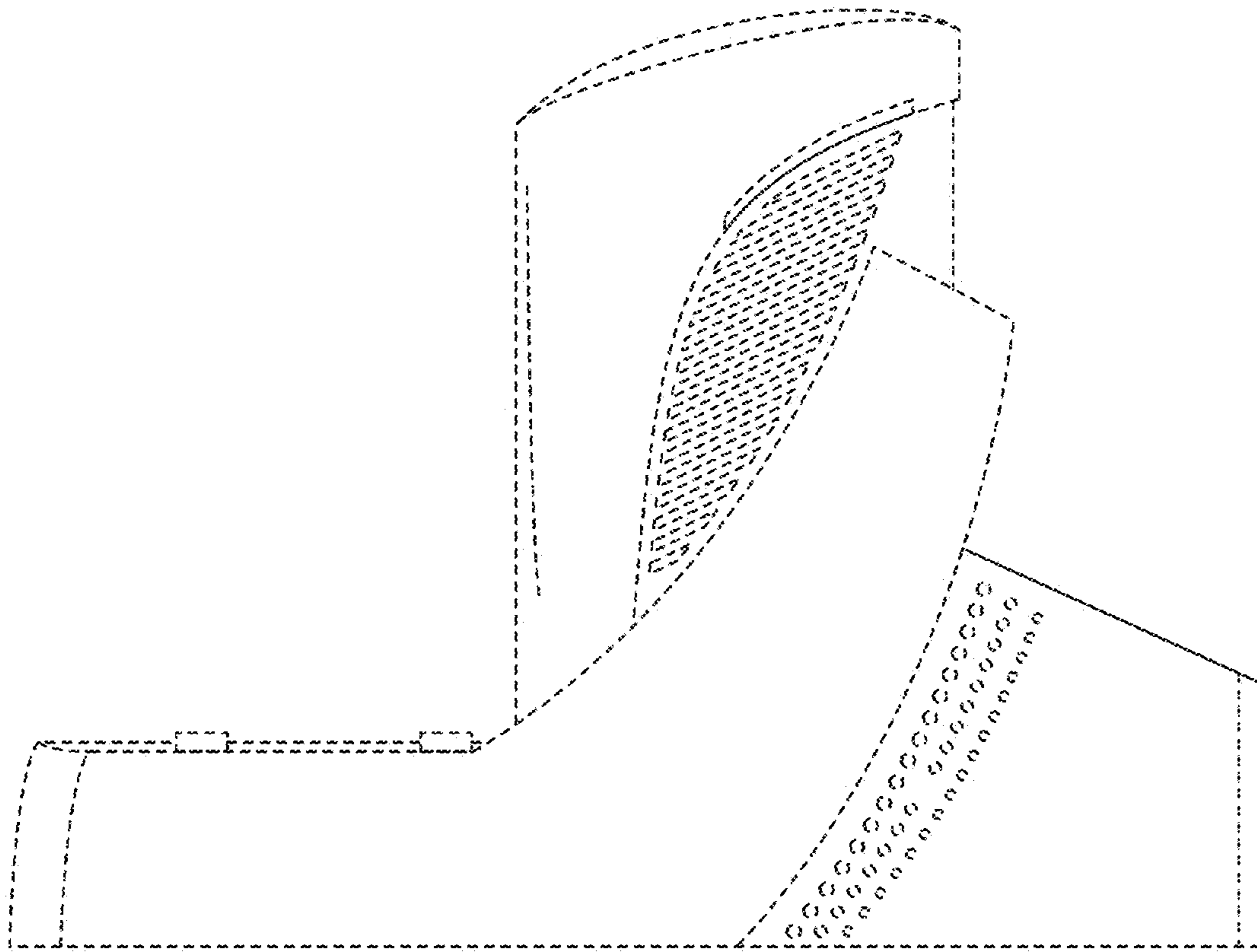


FIG. 5

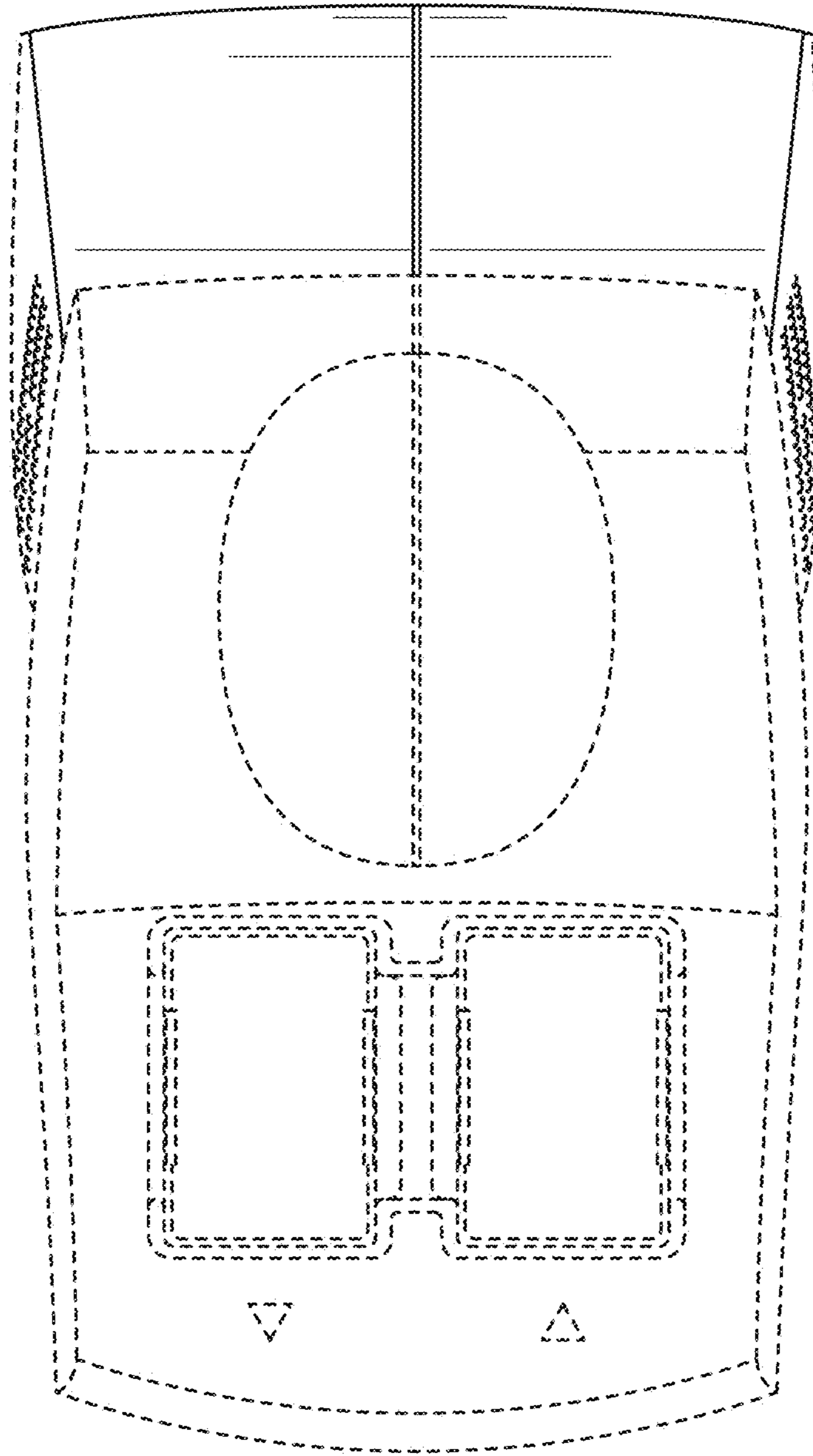


FIG. 6