

US00D721183S

(12) **United States Design Patent**  
**Mallory**

(10) **Patent No.:** **US D721,183 S**  
(45) **Date of Patent:** **\*\* Jan. 13, 2015**

(54) **MESSAGE ROLLER FOR MUSCLE RELEASE**

(71) Applicant: **Rad Innovation LLC**, Denver, CO (US)

(72) Inventor: **Michael Mallory**, Evergreen, CO (US)

(73) Assignee: **Rad Innovation LLC**, Denver, CO (US)

(\*\*) Term: **14 Years**

(21) Appl. No.: **29/502,445**

(22) Filed: **Sep. 16, 2014**

(51) **LOC (10) Cl.** ..... **28-03**

(52) **U.S. Cl.**

USPC ..... **D24/211**

(58) **Field of Classification Search**

CPC ..... A61H 19/30; A61H 19/32; A61H 19/34;  
A61H 19/40; A61H 19/44; A61H 19/50;  
A61H 19/00; A61H 2201/0153; A61H  
2201/0207; A61H 2201/0263; A61H  
2201/0111; A61H 2201/1253; A61H  
2205/082; A61H 2205/085; A61H 15/0085  
USPC ..... D24/200, 211, 212, 213, 214, 215;  
601/125, 134, 135, 136, 137  
See application file for complete search history.

(56) **References Cited**

U.S. PATENT DOCUMENTS

1,573,652 A \* 2/1926 Snyder ..... 601/121  
2,546,095 A \* 3/1951 Gustlin ..... 601/121

D253,373 S \* 11/1979 Celeste ..... D24/212  
D256,503 S \* 8/1980 Moustakas ..... D24/212  
4,378,007 A \* 3/1983 Kachadourian ..... 601/121  
5,131,383 A \* 7/1992 Juarez ..... 601/19  
5,830,161 A \* 11/1998 Cosmano ..... 601/121  
6,129,687 A \* 10/2000 Powell et al. .... 601/15  
6,364,814 B1 \* 4/2002 Linton ..... 482/55  
D613,349 S \* 4/2010 Metti ..... D21/662  
D700,709 S \* 3/2014 Khodabakhshian ..... D24/211

\* cited by examiner

*Primary Examiner* — Sandra Snapp

(74) *Attorney, Agent, or Firm* — Mollborn Patents, Inc.;  
Fredrik Mollborn

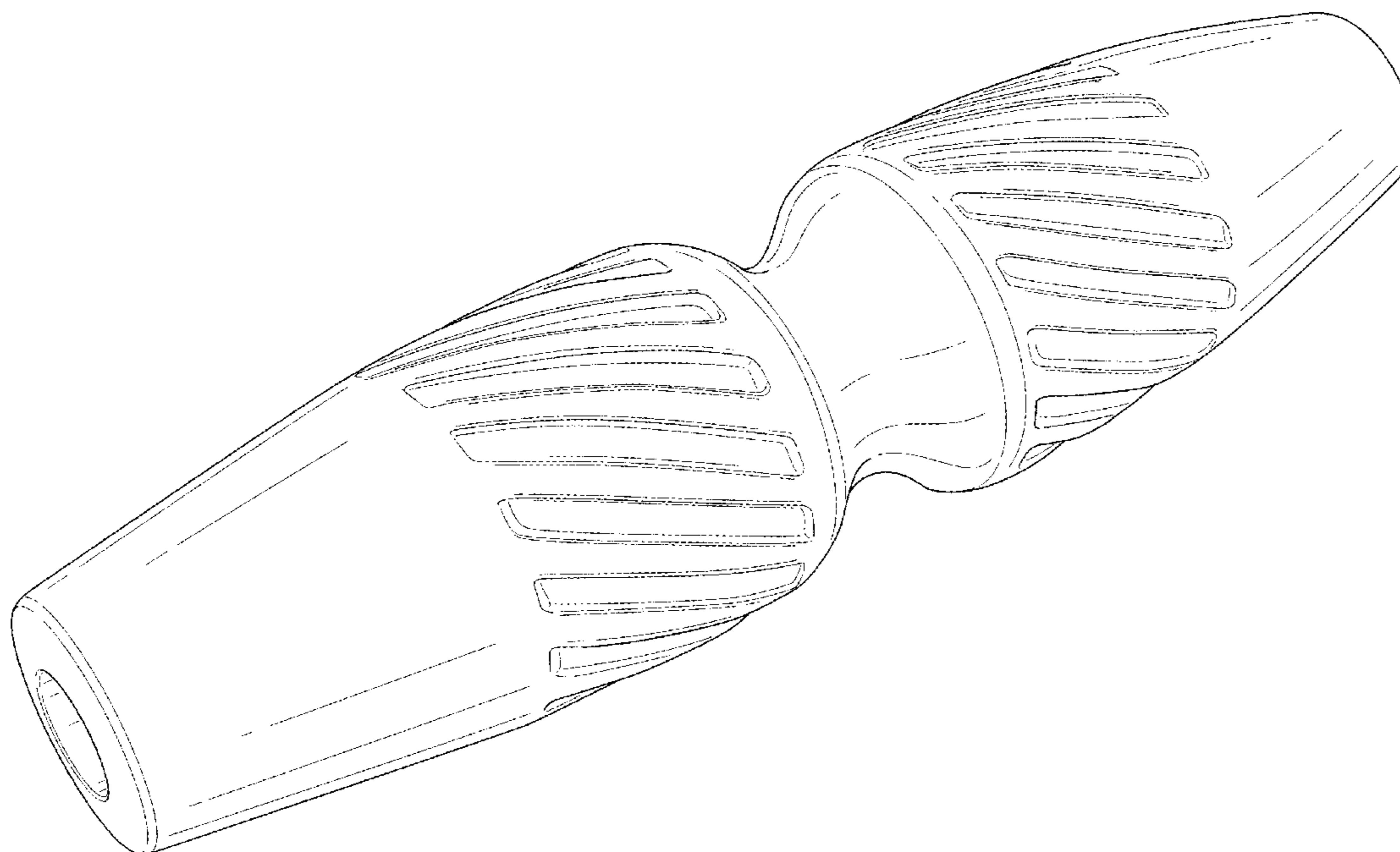
(57) **CLAIM**

The ornamental design for a massage roller for muscle release, as shown and described.

**DESCRIPTION**

FIG. 1 is a perspective view of a massage roller for muscle release showing my new design;  
FIG. 2 is a front plan view of the roller;  
FIG. 3 is a back plan view of the roller;  
FIG. 4 is a top plan view of the roller;  
FIG. 5 is a bottom plan view of the roller;  
FIG. 6 is a right side plan view of the roller; and,  
FIG. 7 is a left side plan view of the roller.

**1 Claim, 6 Drawing Sheets**



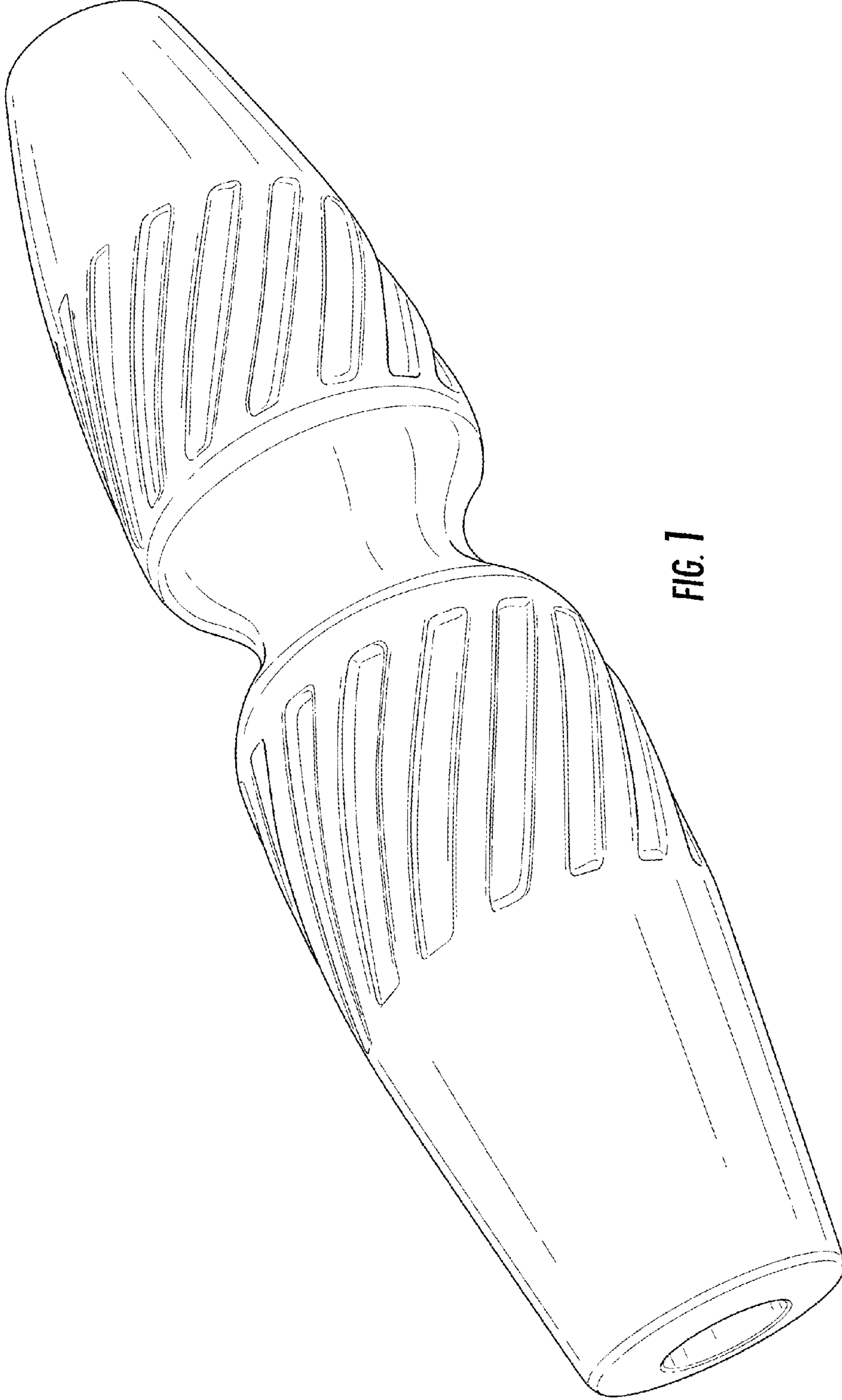


FIG. 1

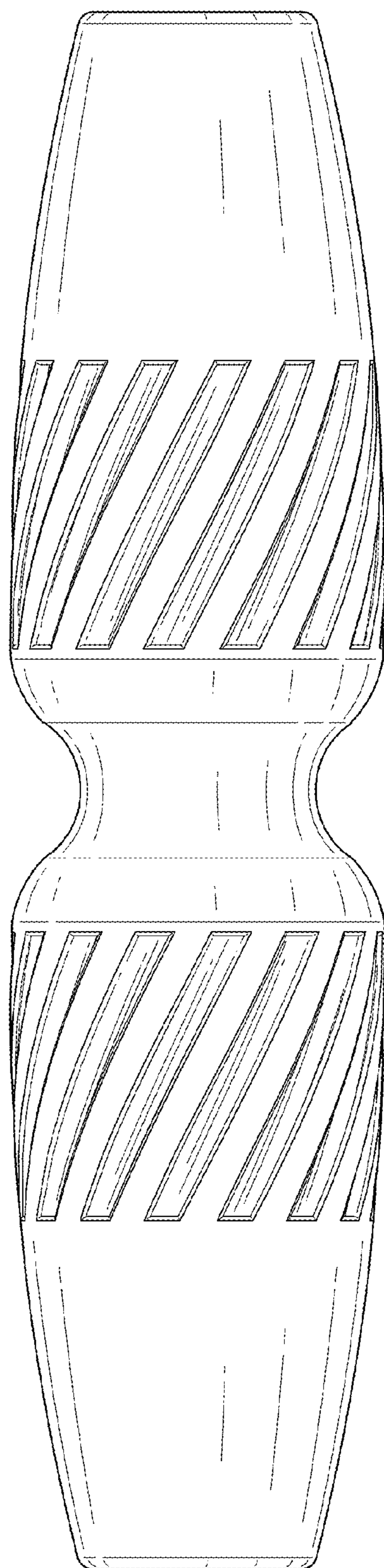


FIG. 2

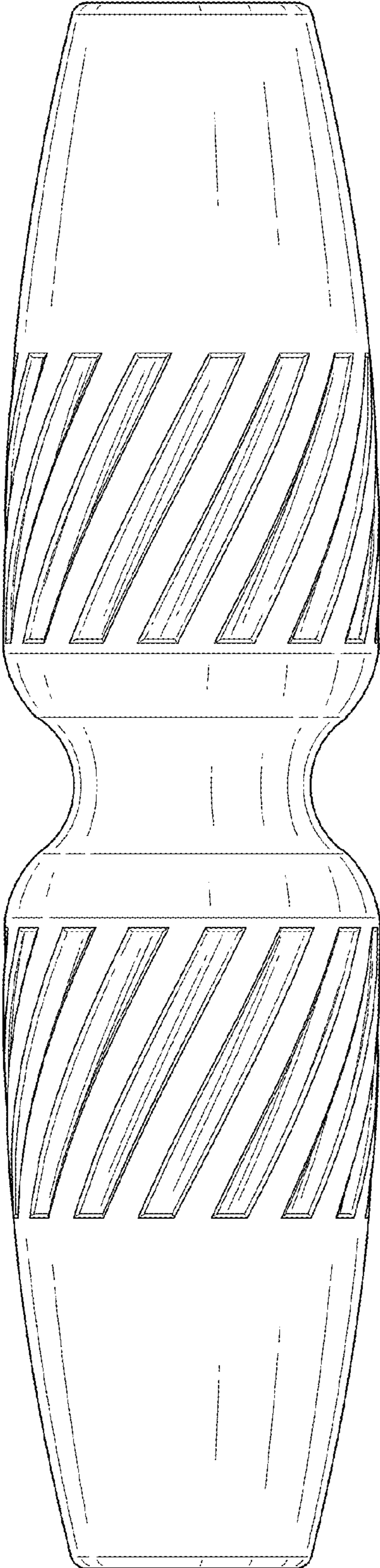


FIG. 3



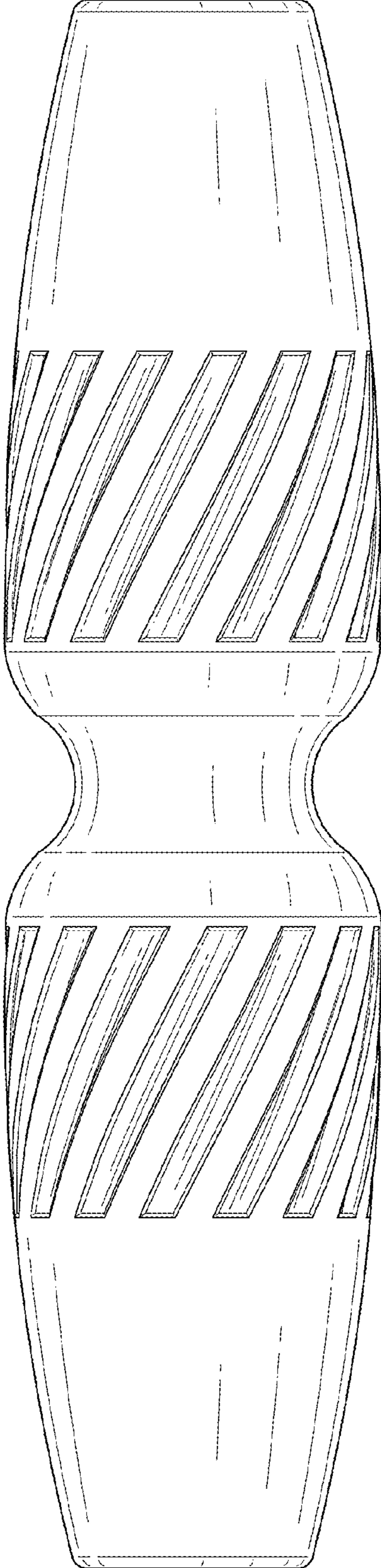


FIG. 4

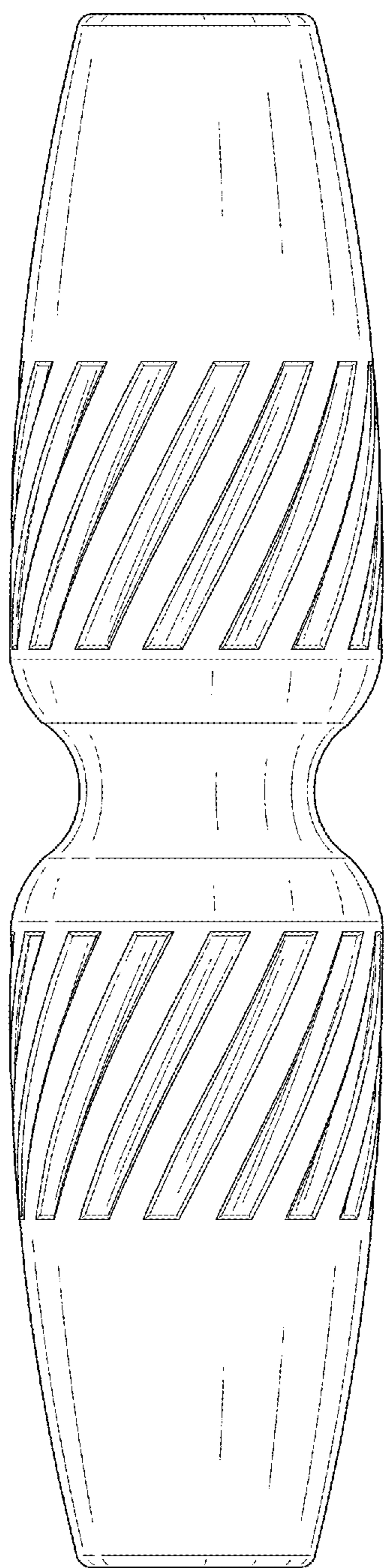
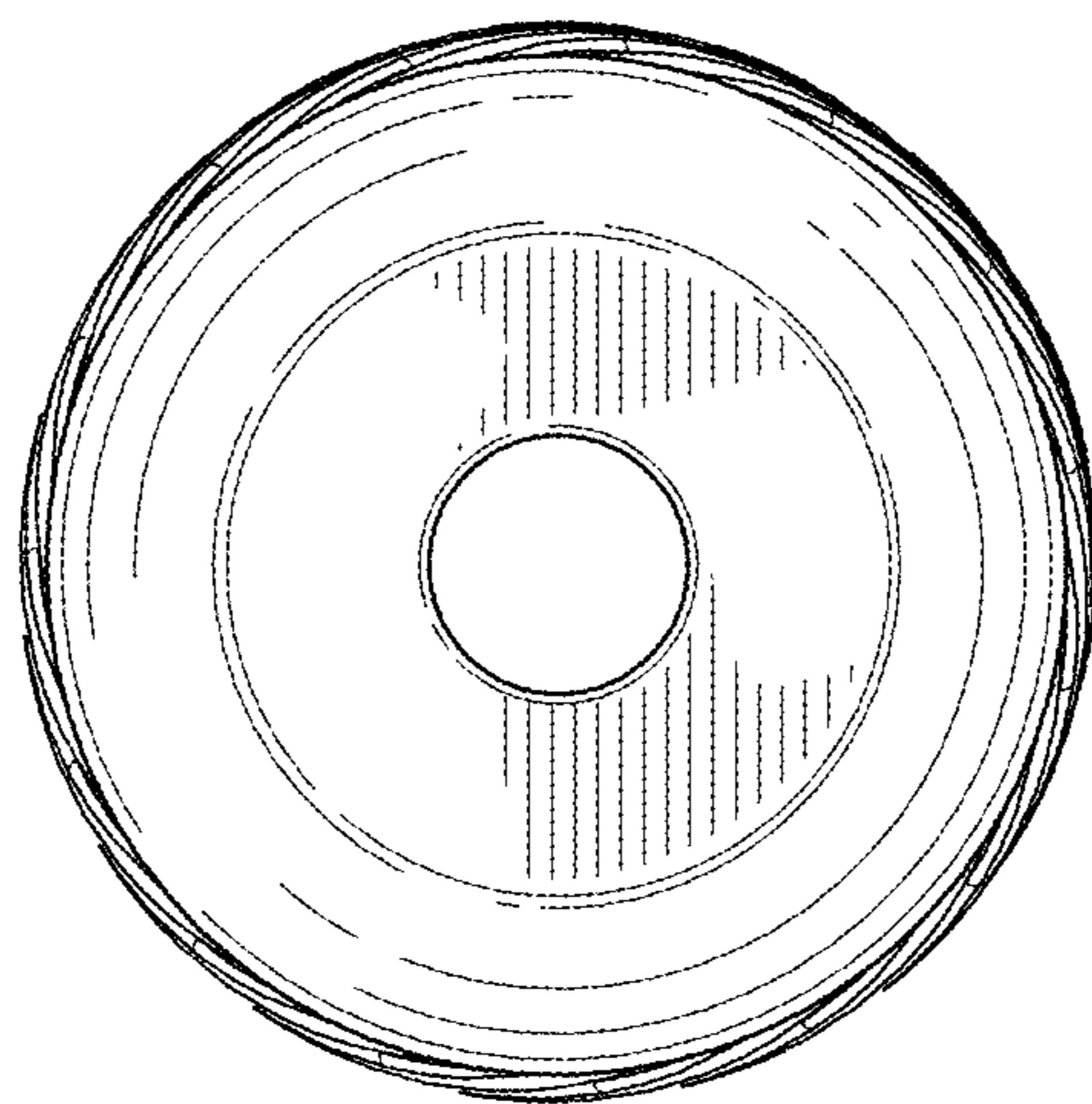
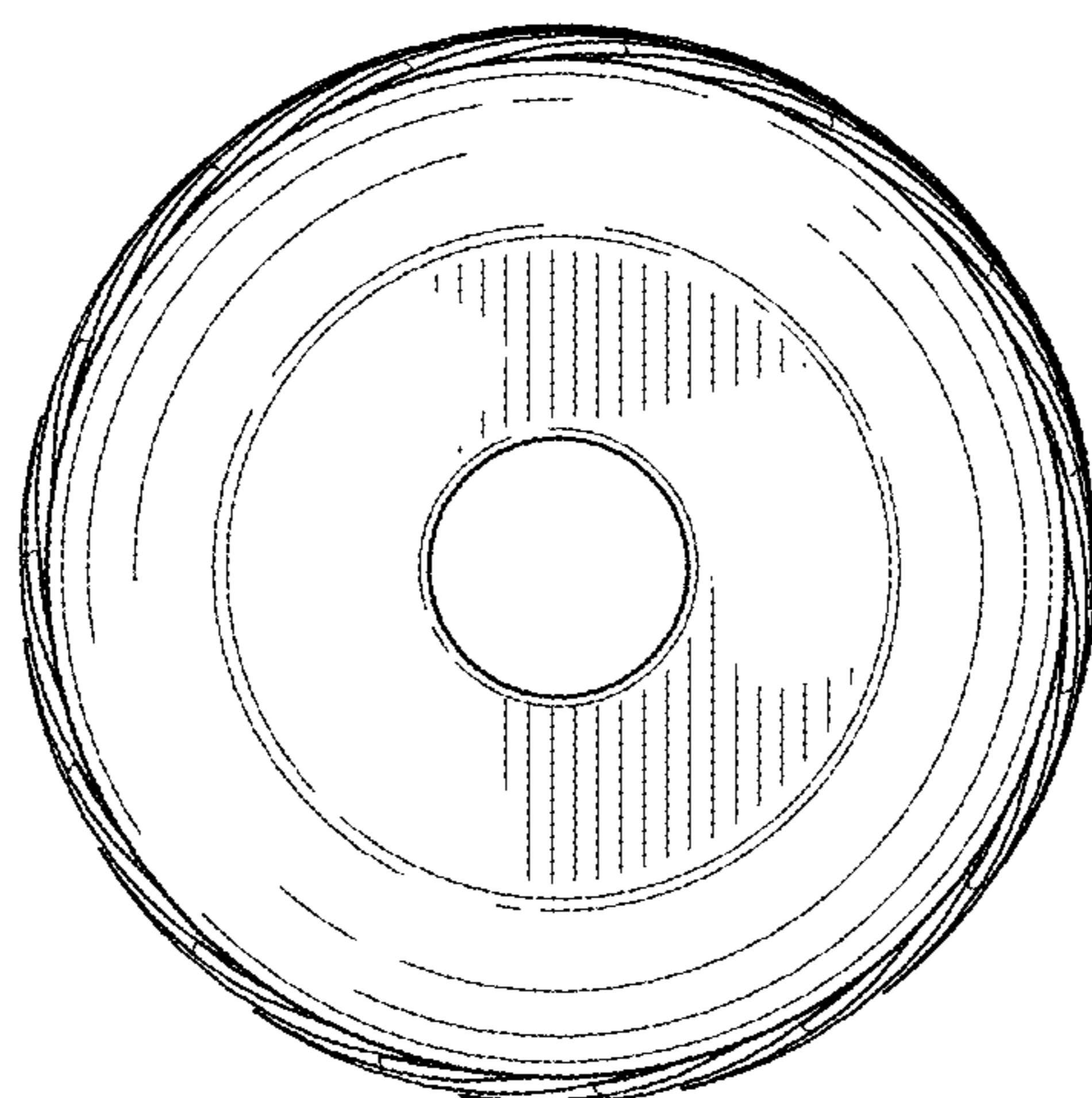


FIG. 5



**FIG. 6**



**FIG. 7**