



US00D721182S

(12) **United States Design Patent**
Wampold

(10) **Patent No.:** **US D721,182 S**
(45) **Date of Patent:** **** Jan. 13, 2015**

(54) **MUTE BUTTON DECORATION FOR
PACIFIER**

(71) Applicant: **Big Mouth Toys, Inc.**, Glastonbury, CT
(US)

(72) Inventor: **Stephen Wampold**, Glastonbury, CT
(US)

(73) Assignee: **Bigmouth, Inc.**, Glastonbury, CT (US)

(**) Term: **14 Years**

(21) Appl. No.: **29/486,693**

(22) Filed: **Apr. 1, 2014**

(51) **LOC (10) Cl.** **24-04**

(52) **U.S. Cl.**
USPC **D24/195**

(58) **Field of Classification Search**
CPC A61J 2017/008; A61J 2017/001
USPC 606/234, 235, 236; D24/193, 194, 195,
D24/196, 117, 199; D21/659
See application file for complete search history.

(56) **References Cited**

U.S. PATENT DOCUMENTS

| | | | | |
|--------------|---------|-----------------|-------|---------|
| D337,386 S * | 7/1993 | Bierend | | D24/194 |
| D340,525 S * | 10/1993 | Rohrig | | D24/194 |
| D351,233 S * | 10/1994 | Spence, Jr. | | D24/195 |
| D356,159 S * | 3/1995 | Harrison et al. | | D24/195 |
| D362,073 S * | 9/1995 | Hsieh | | D24/194 |
| D453,379 S * | 2/2002 | Roehrig | | D24/194 |
| D501,256 S * | 1/2005 | Roehrig | | D24/194 |
| D548,847 S * | 8/2007 | Dunn et al. | | D24/194 |

| | | | | |
|-------------------|---------|-------------------|-------|---------|
| D558,354 S * | 12/2007 | Roehrig | | D24/194 |
| D626,653 S * | 11/2010 | Roehrig et al. | | D24/194 |
| D659,253 S * | 5/2012 | Valderrama et al. | | D24/194 |
| D674,496 S * | 1/2013 | Roehrig et al. | | D24/194 |
| 2011/0130790 A1 * | 6/2011 | Hezari et al. | | 606/234 |

OTHER PUBLICATIONS

“The mute button pacifier: The ultimate geeky baby gift.”
coolmomtech.com. Web. Apr. 19, 2014.*

“Big Mouth Toys Mute Button Pacifier: Baby.” amazon.com. Web.
Jul. 7, 2014.*

* cited by examiner

Primary Examiner — George D Kirschbaum

Assistant Examiner — Kendra L Hamilton

(74) *Attorney, Agent, or Firm* — Epstein Drangel LLP;
Robert L. Epstein

(57) **CLAIM**

The ornamental design for a mute button decoration for paci-
fier, substantially as shown and described.

DESCRIPTION

FIG. 1 is an isometric view showing the front, top and one side
of my design;

FIG. 2 is a front elevation view thereof;

FIG. 3 is an elevation view of one side, the opposite side being
a mirror image thereof; and,

FIG. 4 is an elevation view of the top, the bottom being a
mirror image thereof.

The broken lines illustrate portions of the mute button deco-
ration for pacifier which form no part of the claimed design.

1 Claim, 2 Drawing Sheets

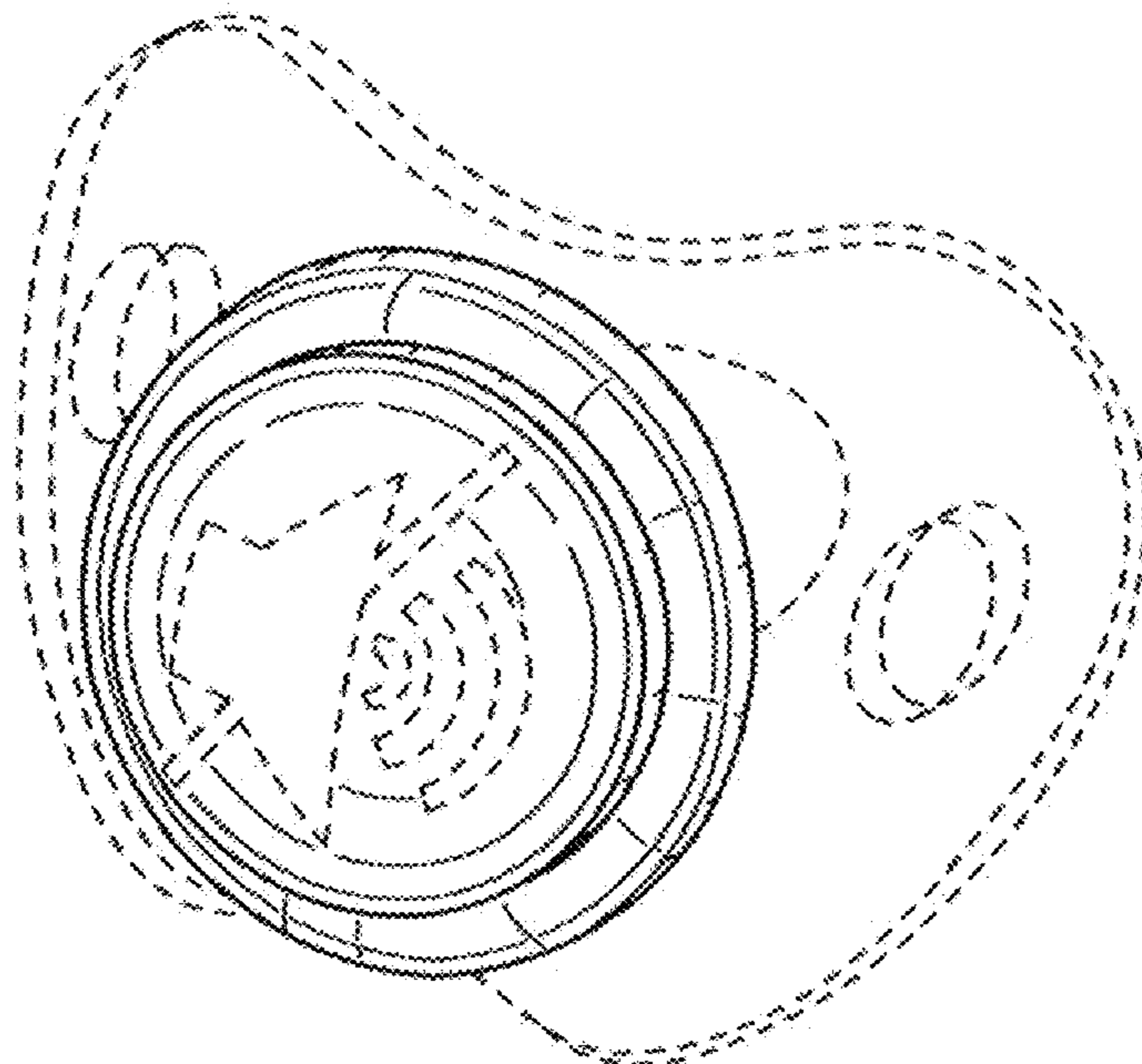


FIG. 1

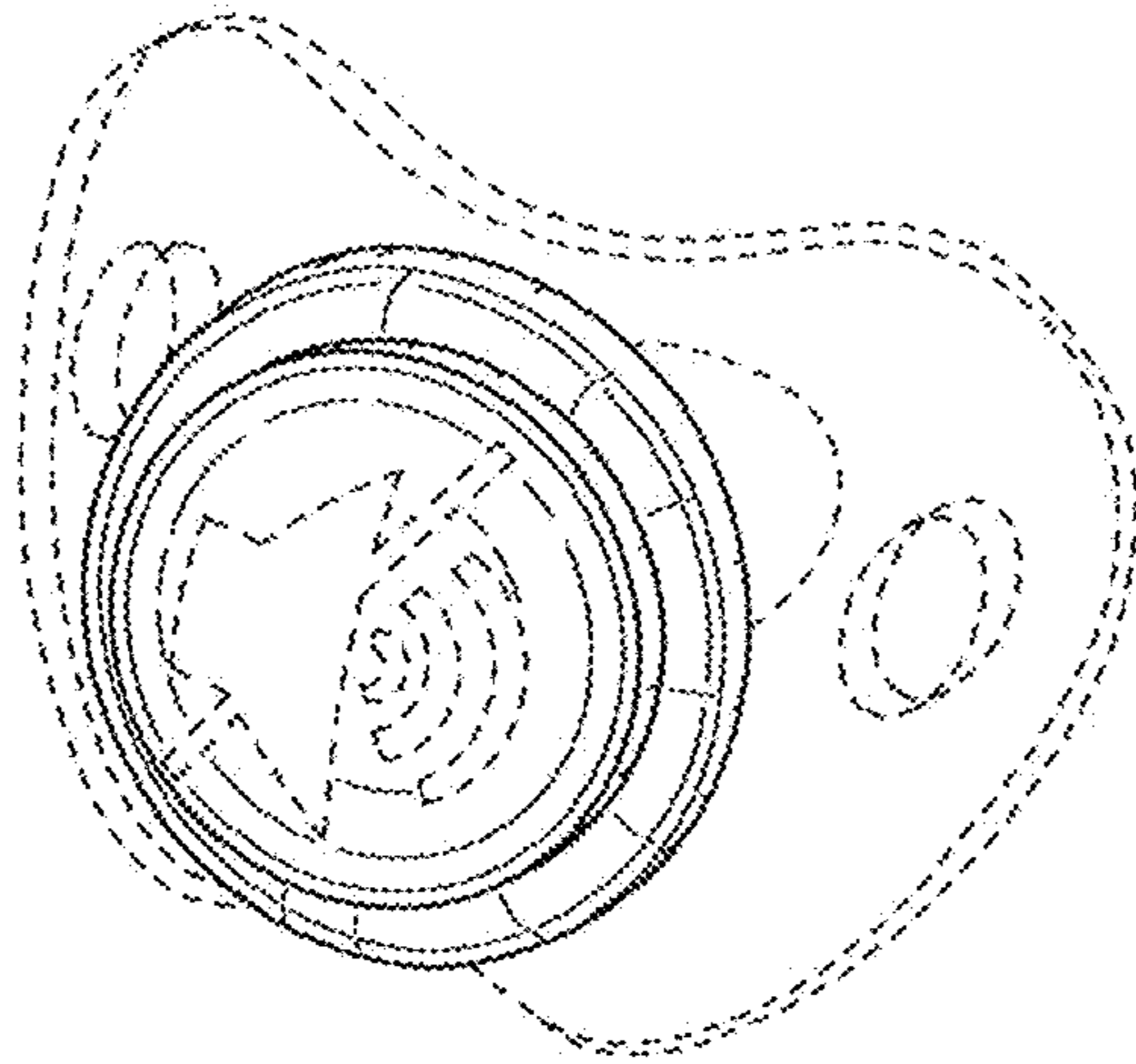


FIG. 2

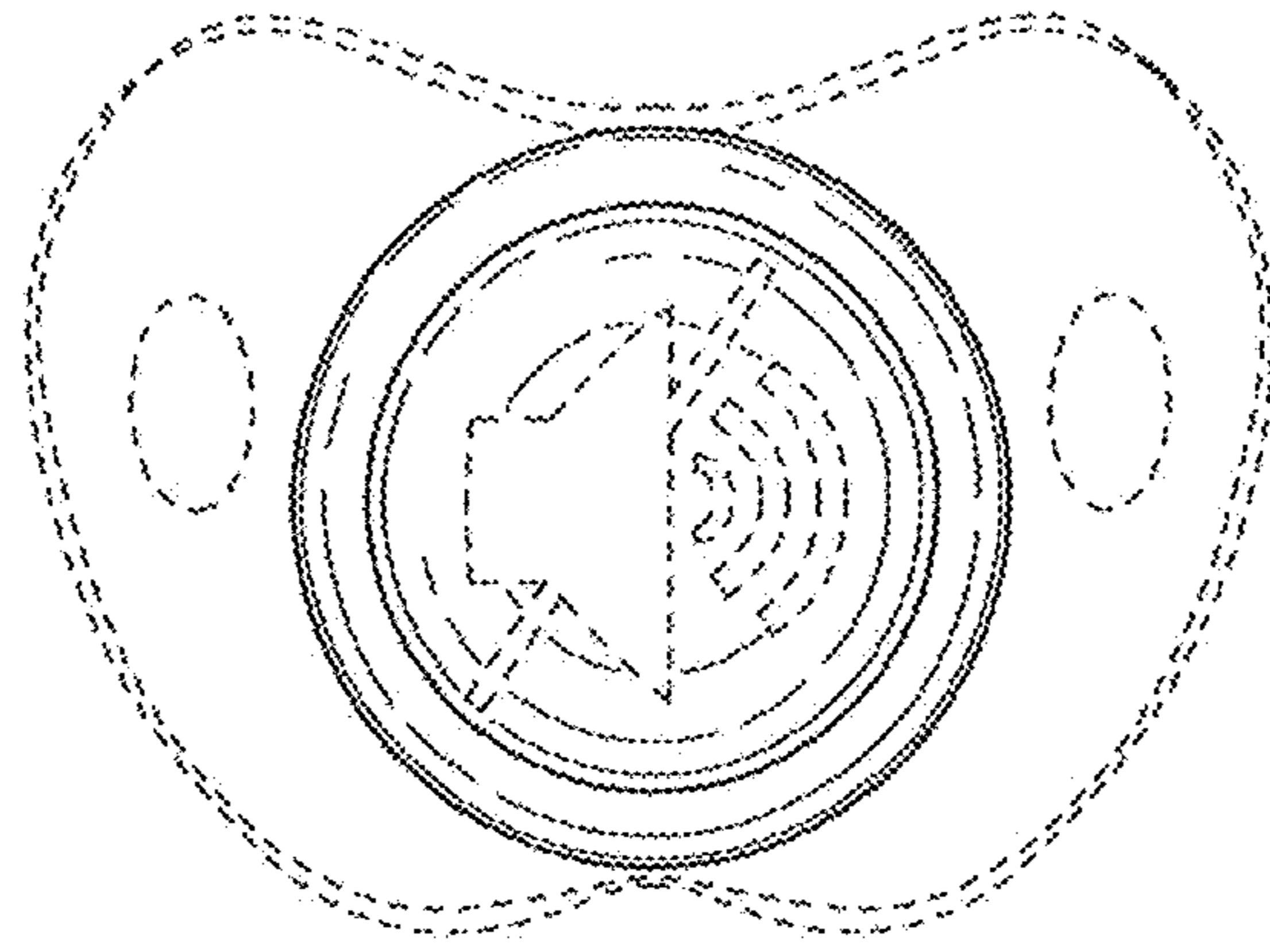


FIG. 3

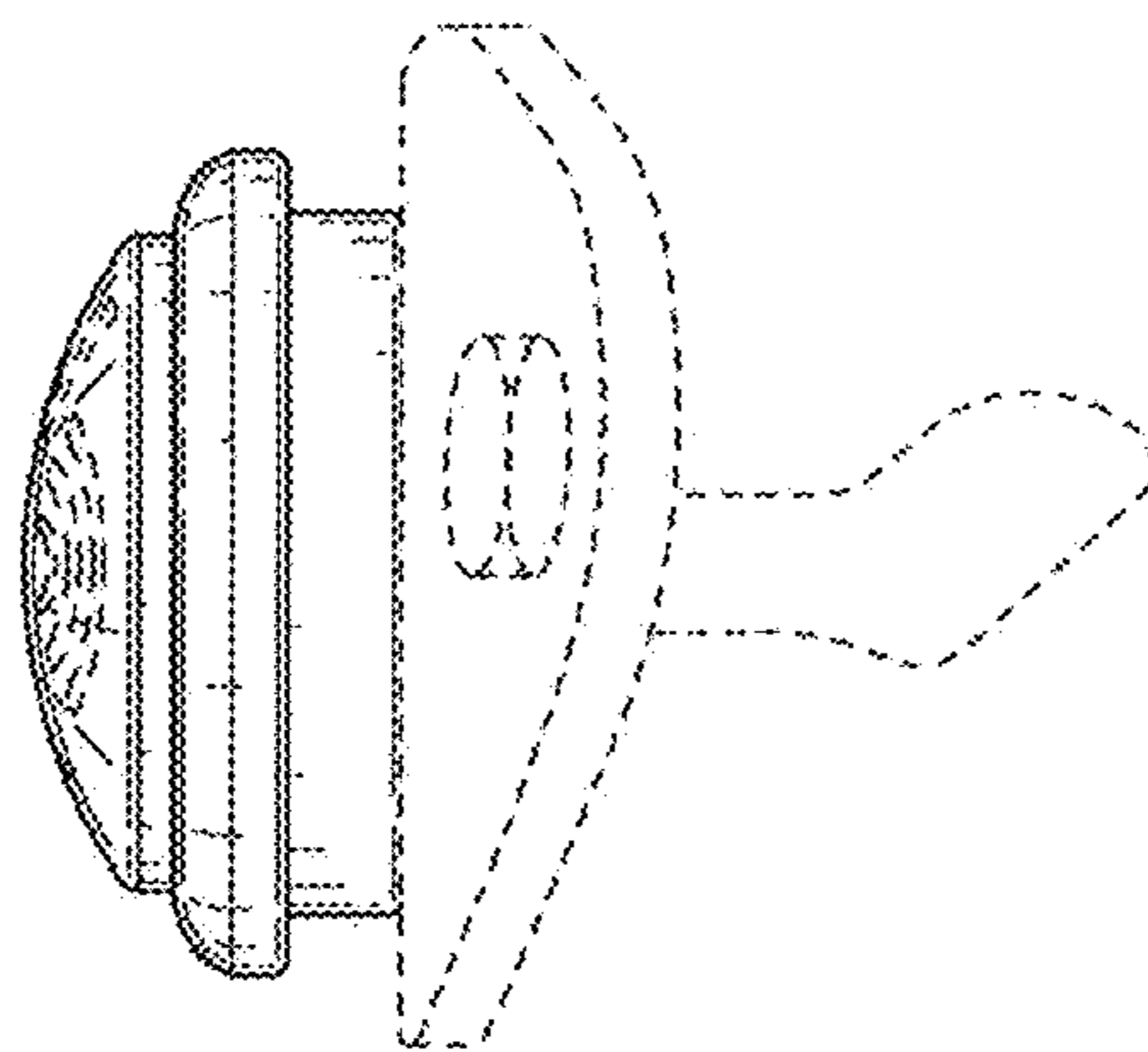


FIG. 4

