

US00D721180S

(12) **United States Design Patent**  
**Rollins et al.**

(10) **Patent No.:** **US D721,180 S**  
(45) **Date of Patent:** **\*\* Jan. 13, 2015**

(54) **PROGRAMMER FOR USE WITH AN  
IMPLANTABLE MEDICAL DEVICE**

(71) Applicant: **Cameron Health, Inc.**, San Clemente,  
CA (US)

(72) Inventors: **Matthew J. Rollins**, Capistrano Beach,  
CA (US); **Steven Egge**, Laguna Hills,  
CA (US); **Mark Allen Morse**,  
Oceanside, CA (US)

(73) Assignee: **Cameron Health, Inc.**, St. Paul, MN  
(US)

(\*\*) Term: **14 Years**

(21) Appl. No.: **29/446,517**

(22) Filed: **Feb. 25, 2013**

(51) **LOC (10) Cl.** ..... **24-01**

(52) **U.S. Cl.**  
USPC ..... **D24/186**

(58) **Field of Classification Search**  
USPC ..... D24/185-187, 107, 167-168;  
607/27-32, 11, 60, 36; 600/300-301,  
600/509, 544, 546; 128/899-904  
See application file for complete search history.

(56) **References Cited**

U.S. PATENT DOCUMENTS

D255,116	S	5/1980	MacDonald et al.	
4,432,360	A *	2/1984	Mumford et al.	607/30
4,550,370	A *	10/1985	Baker	128/904
D289,049	S	3/1987	Marchese	
4,958,632	A *	9/1990	Duggan	607/11
D359,803	S *	6/1995	Stanton et al.	D24/167
D361,555	S *	8/1995	Erickson et al.	D24/155
5,716,384	A	2/1998	Snell	
6,016,442	A	1/2000	Hsu et al.	
D438,204	S	2/2001	Winkler	
D459,814	S	7/2002	Lee et al.	
6,485,416	B1 *	11/2002	Platt et al.	600/300

D474,543	S *	5/2003	Lee et al.	D24/186
6,580,948	B2 *	6/2003	Haupt et al.	607/60
D479,877	S *	9/2003	Lee et al.	D24/186
D484,246	S *	12/2003	Lee et al.	D24/186
D498,535	S *	11/2004	Genau et al.	D24/186
D536,793	S *	2/2007	Assad et al.	D24/185
7,203,549	B2 *	4/2007	Schommer et al.	607/60
D612,503	S *	3/2010	Johnston et al.	D24/186
7,813,809	B2 *	10/2010	Strother et al.	607/60
D656,137	S	3/2012	Chung et al.	

(Continued)

OTHER PUBLICATIONS

“U.S. Appl. No. 29/423,596, filed Jun. 1, 2012”, 8 pgs.

*Primary Examiner* — T. Chase Nelson

*Assistant Examiner* — Mark Cavanna

(74) *Attorney, Agent, or Firm* — Seager, Tufte & Wickhem  
LLC

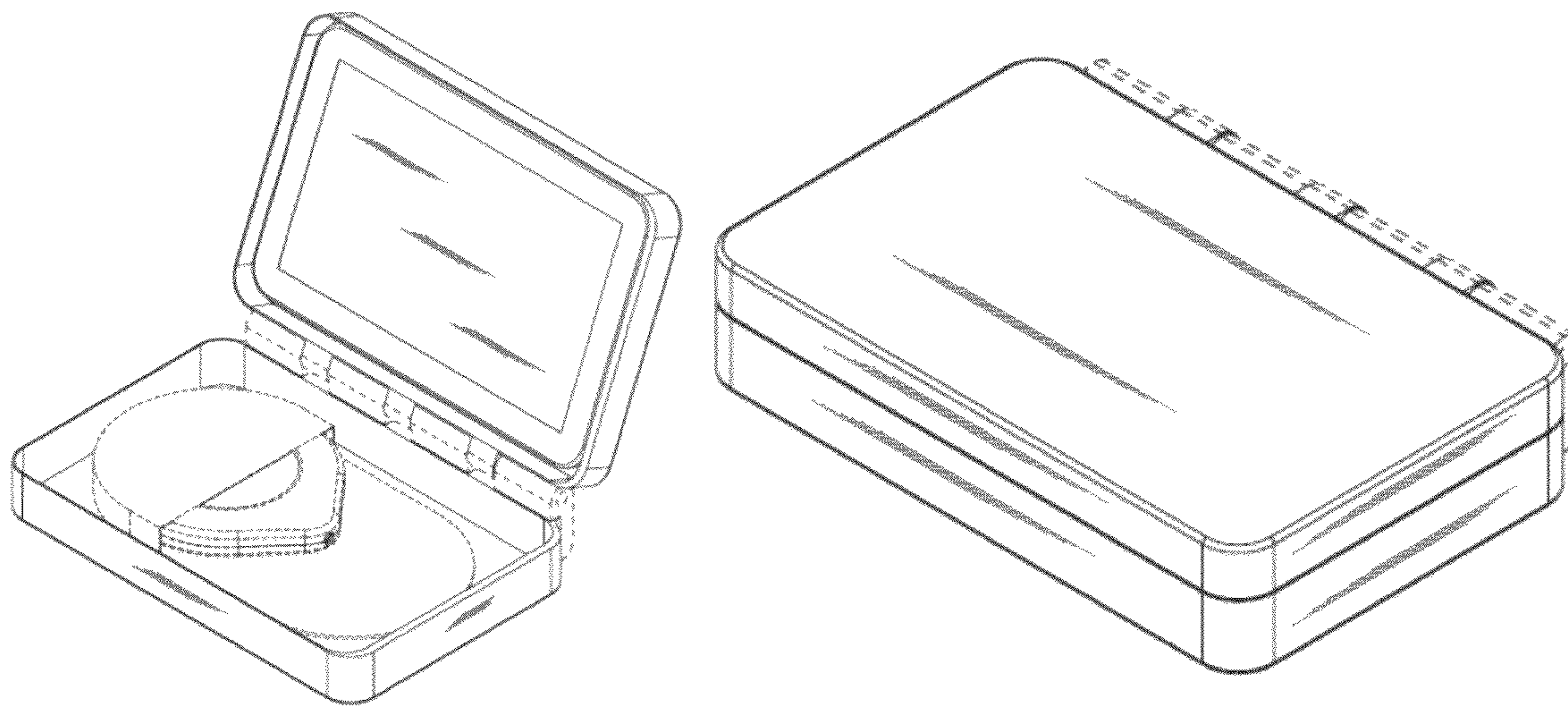
(57) **CLAIM**

The ornamental design for a programmer for use with an  
implantable medical device, as shown and described.

**DESCRIPTION**

FIG. 1 is a front perspective view of a programmer for use  
with an implantable medical device, with the programmer lid  
open, showing my new design;  
FIG. 2 is a front elevation view thereof;  
FIG. 3 is a perspective view thereof with the programmer lid  
closed;  
FIG. 4 is right side elevation view with the lid open with the  
left side being a mirror image mirror thereof;  
FIG. 5 is right side elevation view with the lid closed with the  
left side being a mirror image mirror thereof;  
FIG. 6 is rear elevation view thereof with the lid open;  
FIG. 7 is rear elevation view thereof with the lid closed; and,  
FIG. 8 shows a bottom view of thereof.  
Features shown in broken lines in the Figures are provided for  
illustrative purposes and are not part of the claimed invention.

**1 Claim, 7 Drawing Sheets**



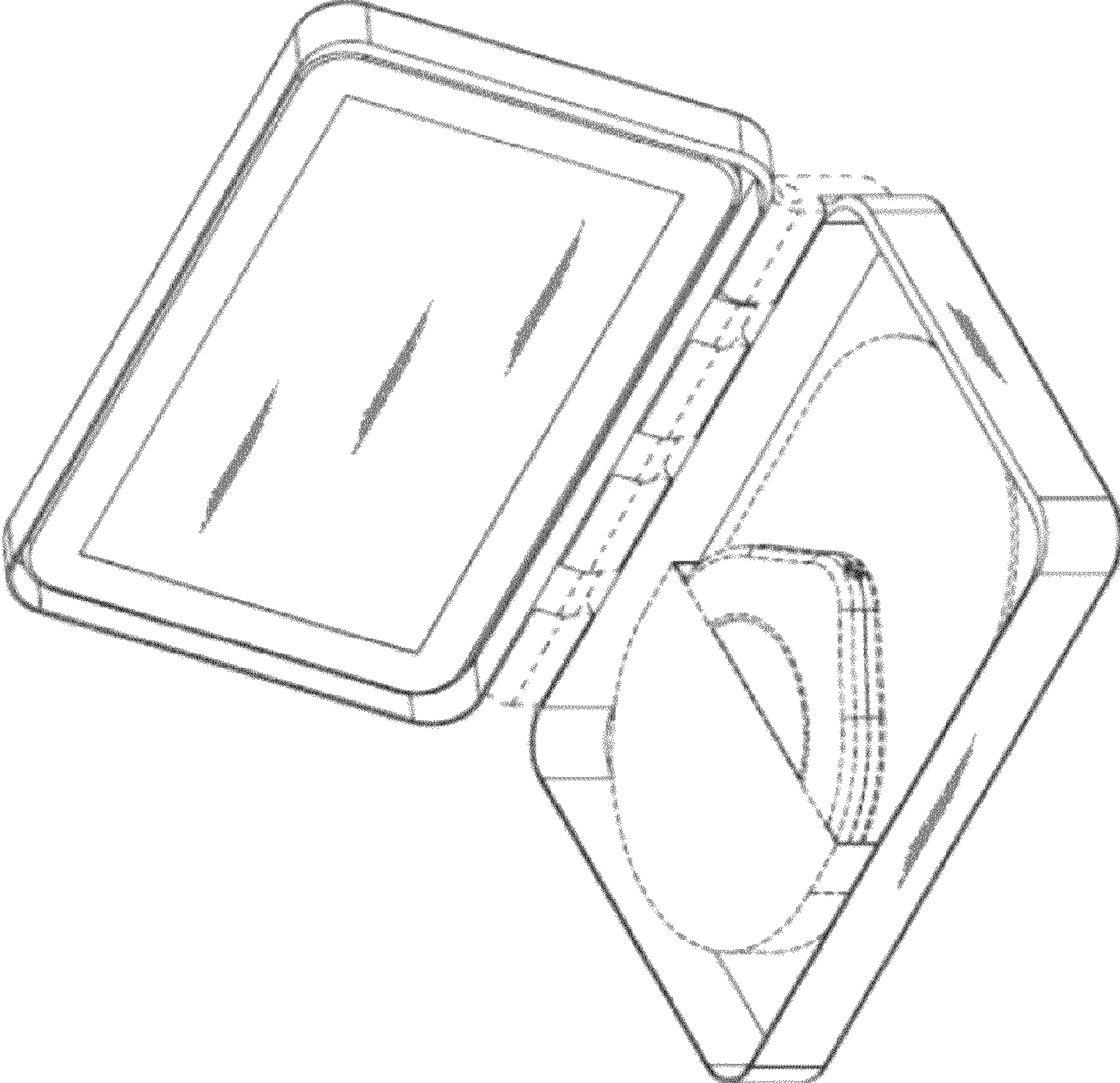
(56)

**References Cited**

U.S. PATENT DOCUMENTS

D656,935 S	4/2012	Jones et al.	
D657,361 S	4/2012	Goodwin et al.	
D658,172 S	4/2012	Lee et al.	
D658,298 S *	4/2012	Prpa .....	D24/186
D664,540 S	7/2012	Kim et al.	
D665,504 S *	8/2012	Arimitsu .....	D24/186
D670,288 S	11/2012	Chen	
D671,900 S	12/2012	Cottrill et al.	
D672,345 S	12/2012	Li	
D673,560 S	1/2013	Kim	
D673,561 S	1/2013	Hyun et al.	
D676,136 S *	2/2013	Arimitsu .....	D24/186
D677,793 S *	3/2013	Prpa .....	D24/186
D677,794 S *	3/2013	Prpa .....	D24/186
D678,531 S *	3/2013	Patil .....	D24/186
D679,818 S *	4/2013	Prpa .....	D24/186
2005/024592 A1 *	11/2005	Persen et al. ....	607/60
2012/0215284 A1	8/2012	Berg et al.	

\* cited by examiner



*Figure 1*



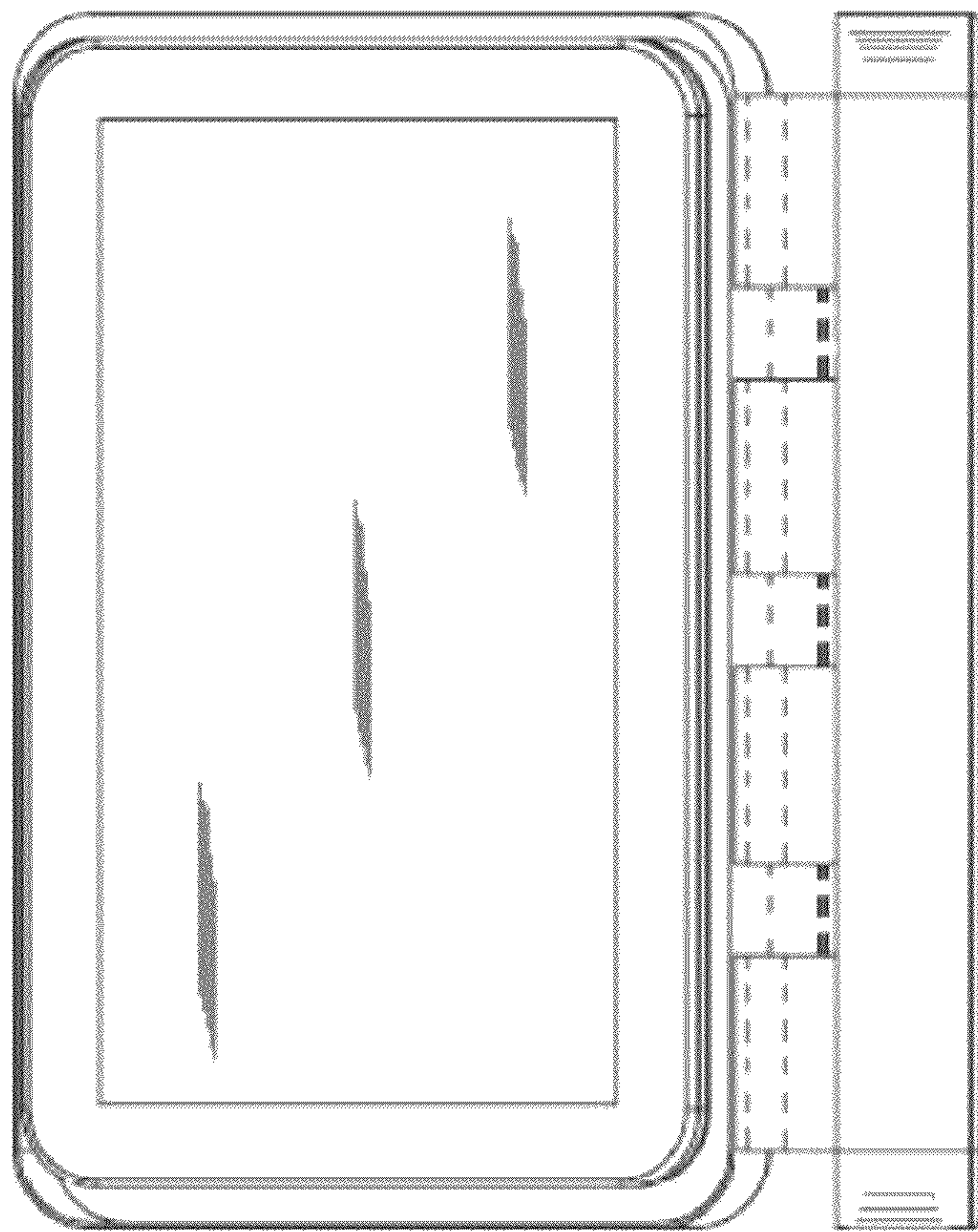


Figure 2

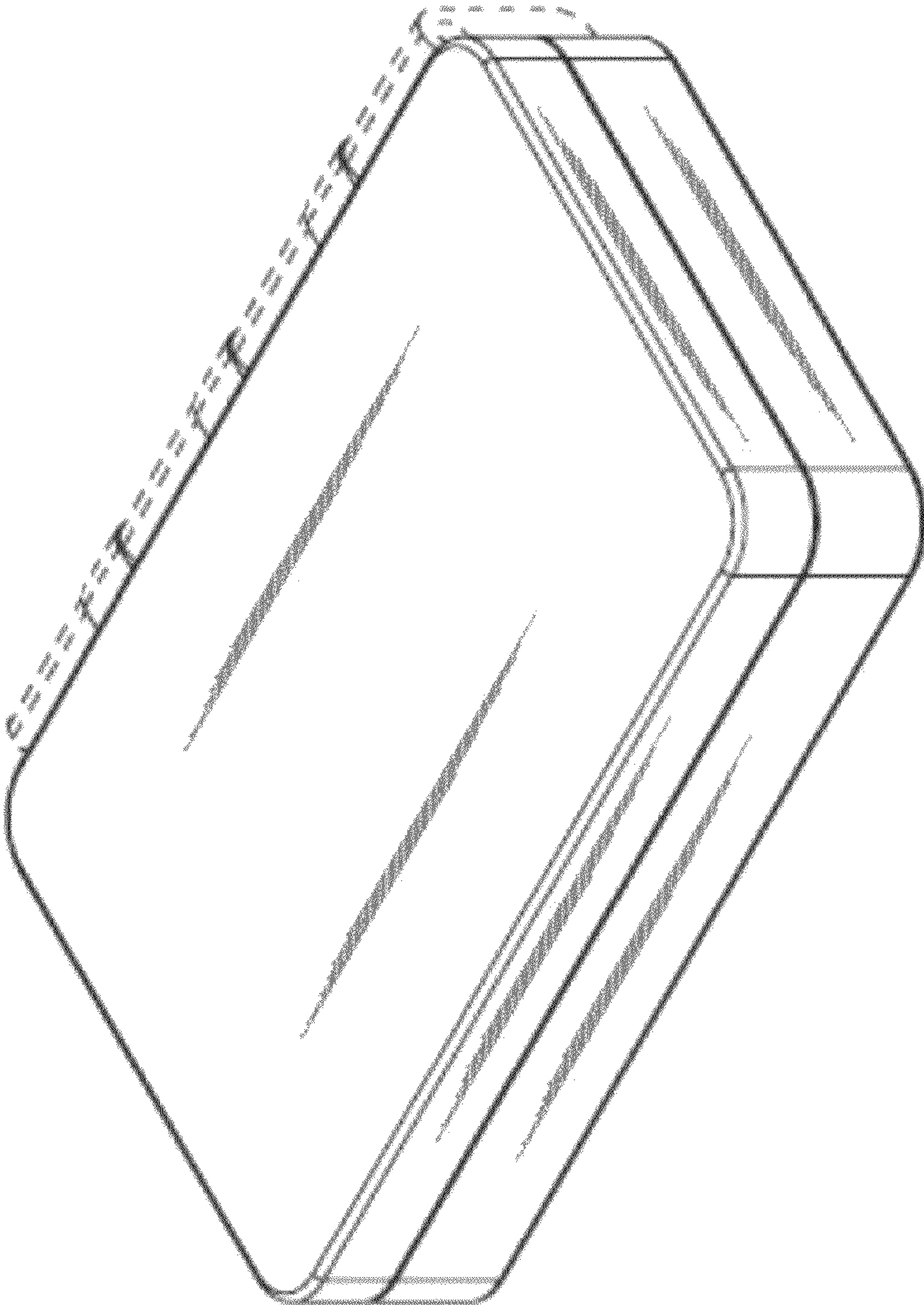


Figure 3

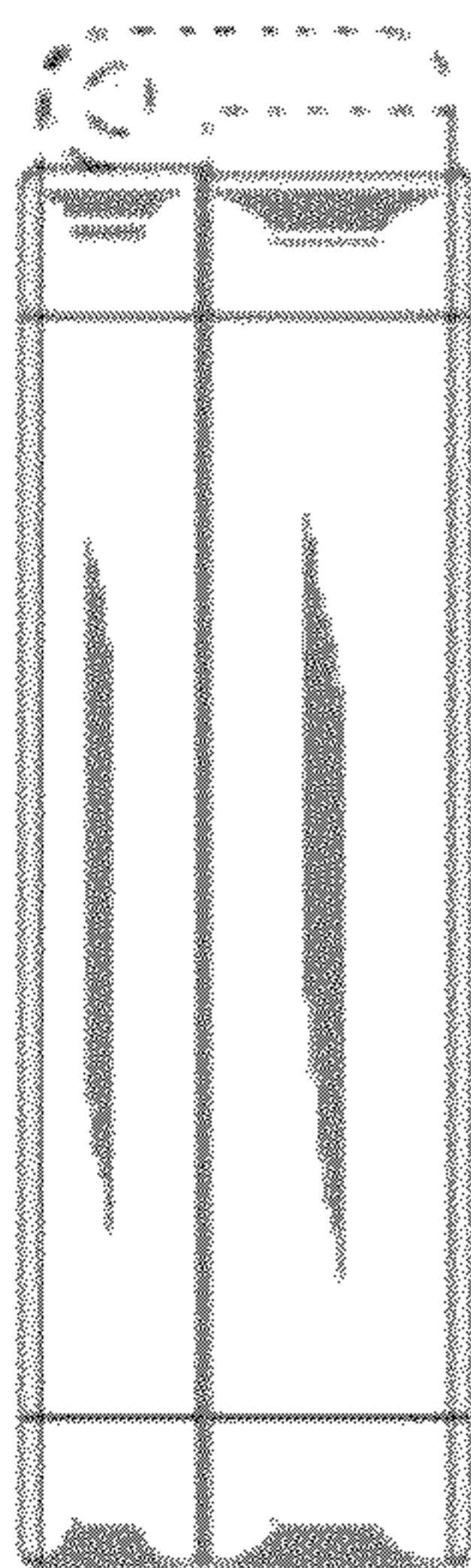


Figure 5

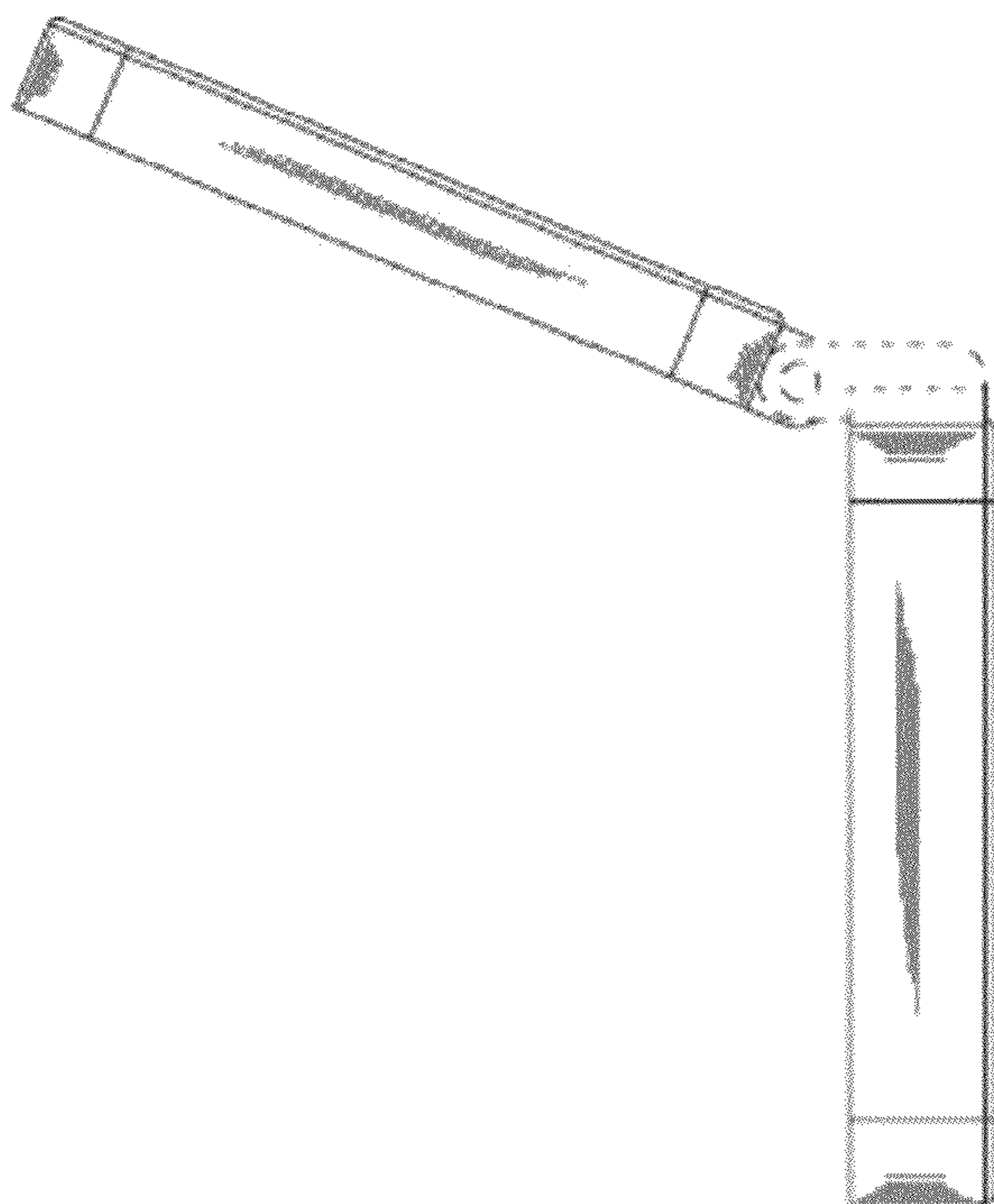


Figure 4



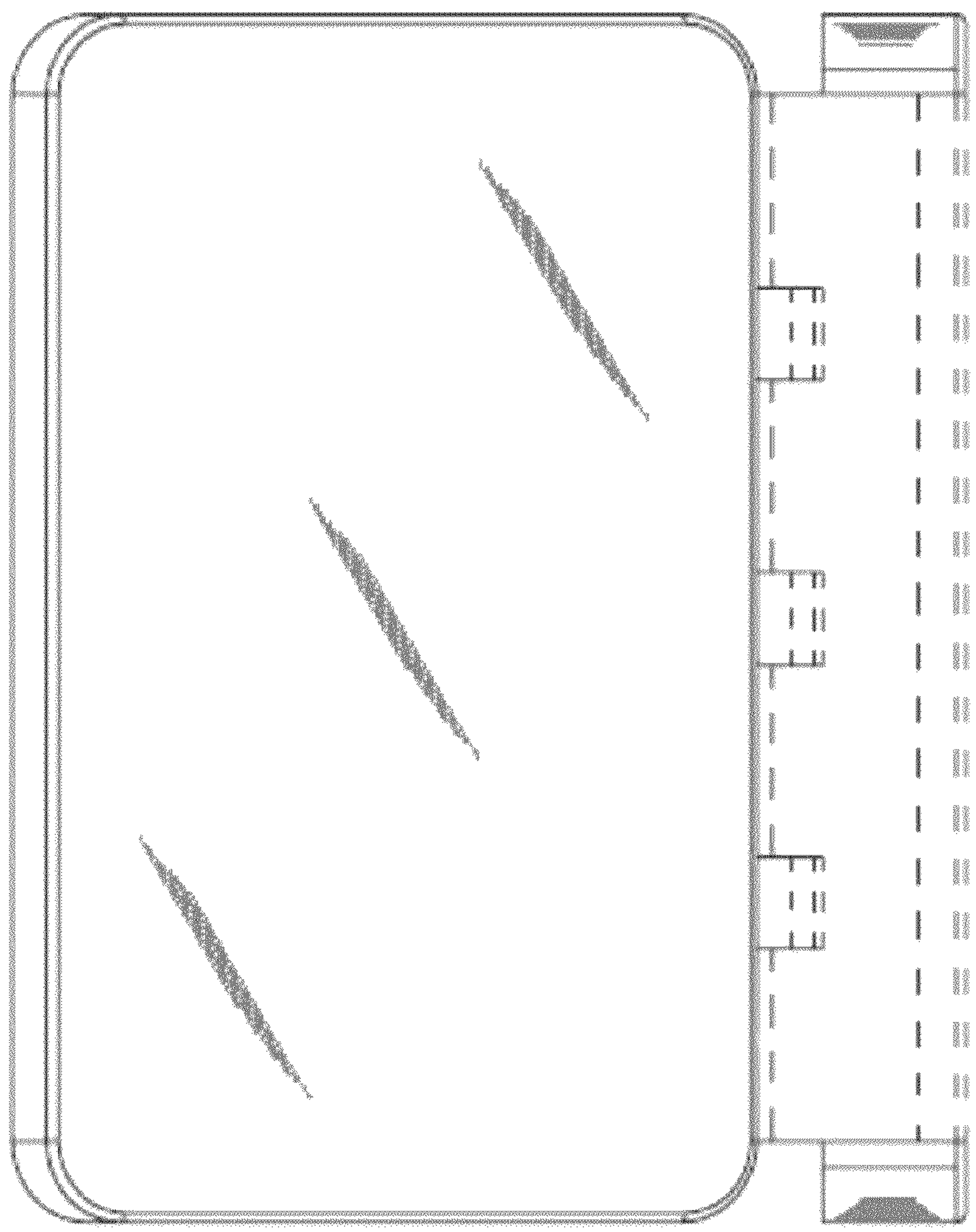


Figure 6

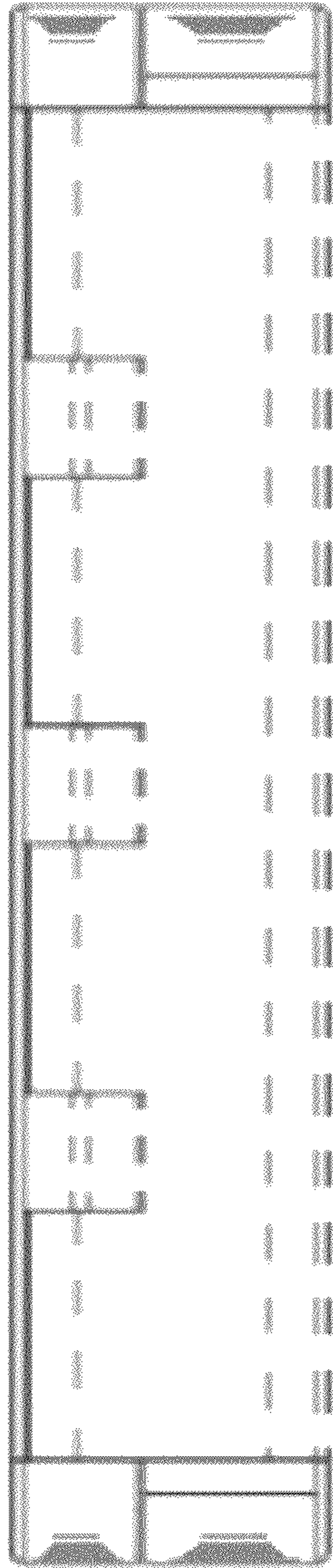


Figure 7



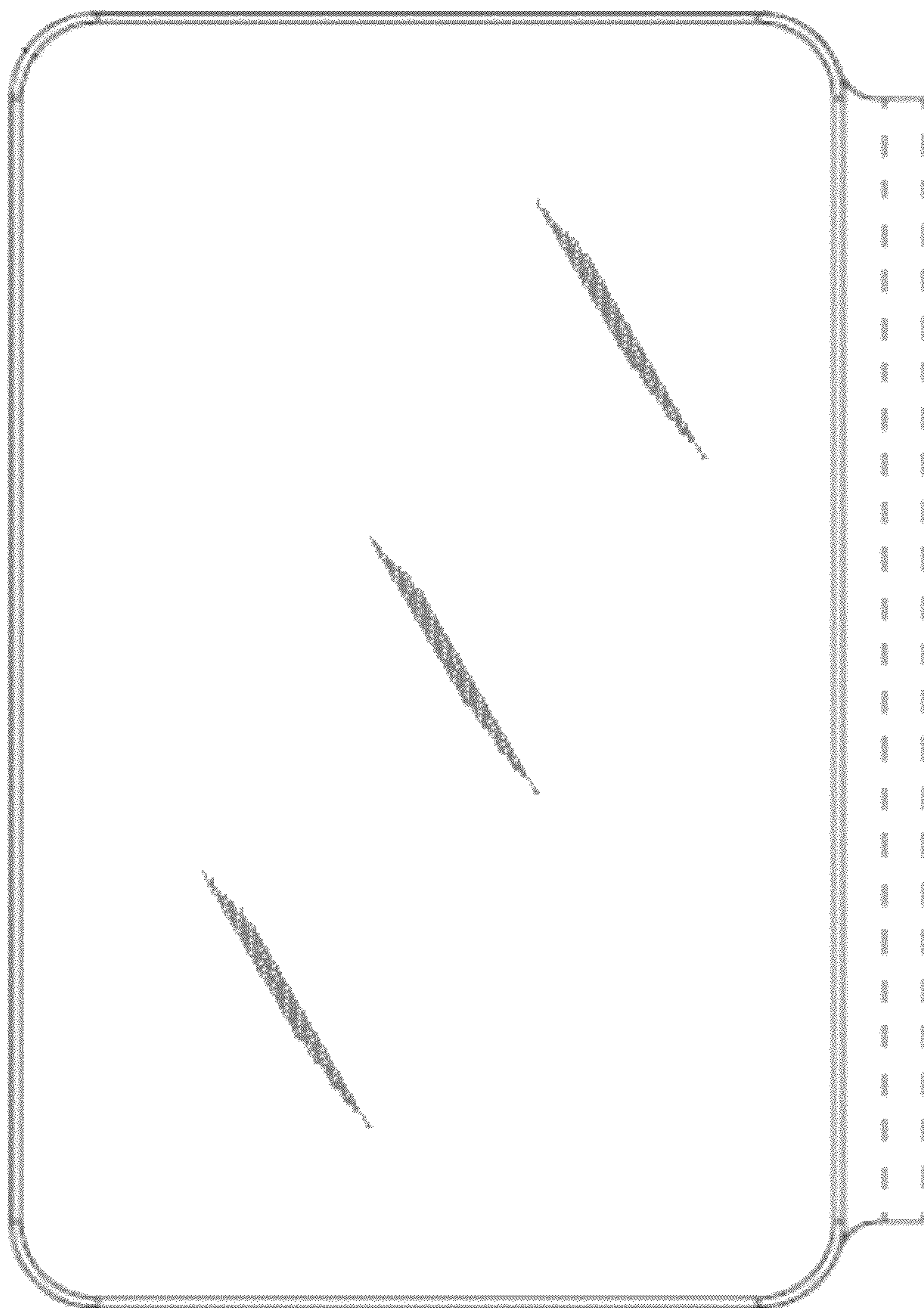


Figure 8