



US00D721176S

(12) **United States Design Patent**
Faccioli et al.

(10) **Patent No.:** **US D721,176 S**
(45) **Date of Patent:** **** Jan. 13, 2015**

- (54) **KNEE JOINT ASSEMBLY**
- (75) Inventors: **Giovanni Faccioli**, Monzambano (IT);
Renzo Soffiatti, Nogara (IT)
- (73) Assignee: **Tecres S.p.A.**, Sommacampagna
(Verona) (IT)
- (**) Term: **14 Years**
- (21) Appl. No.: **29/404,769**
- (22) Filed: **Oct. 25, 2011**
- (51) **LOC (10) Cl.** **24-02**
- (52) **U.S. Cl.**
USPC **D24/155**
- (58) **Field of Classification Search**
USPC D24/155; 623/20.14–20.36; 264/264
See application file for complete search history.

(56) **References Cited**

U.S. PATENT DOCUMENTS

- D242,827 S * 12/1976 Elliott D24/155
- D245,920 S * 9/1977 Shen D24/155

(Continued)

OTHER PUBLICATIONS

Faccioli, G., et al. "Modular Spacer Device for Joints of the Human Body" U.S. Appl. No. 13/236,154, filed Sep. 19, 2011. (32 Pages).

Primary Examiner — Ian Simmons

Assistant Examiner — Charles Hanson

(74) *Attorney, Agent, or Firm* — Tutunjian & Bitetto, P.C.

(57) **CLAIM**

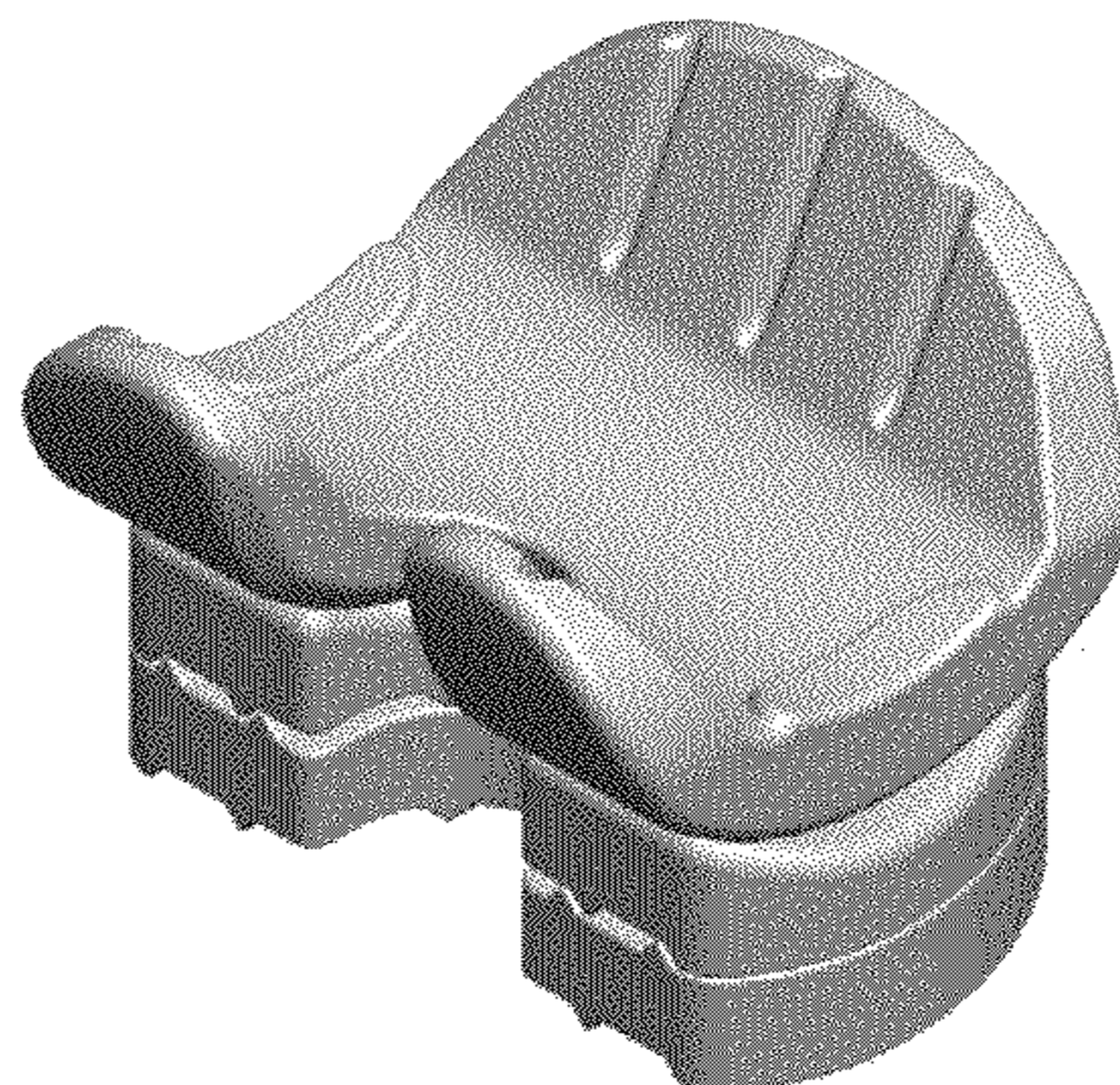
The ornamental design for a knee joint assembly, as shown and described.

DESCRIPTION

FIG. 1 is a top perspective view of the knee joint assembly;
 FIG. 2 is a bottom perspective view of the knee joint assembly;
 FIG. 3 is a front view of the knee joint assembly;
 FIG. 4 is a side view of the knee joint assembly;
 FIG. 5 is a side view opposite that of FIG. 4 of the knee joint assembly;

FIG. 6 is a back view of the knee joint assembly;
 FIG. 7 is a bottom view of the knee joint assembly;
 FIG. 8 is a top view of the knee joint assembly;
 FIG. 9 is a top perspective view of the knee joint assembly with a spacer removed;
 FIG. 10 is a bottom perspective view of the knee joint assembly of FIG. 9;
 FIG. 11 is a front view of the knee joint assembly of FIG. 9;
 FIG. 12 is a side view of the knee joint assembly of FIG. 9;
 FIG. 13 is a side view opposite that of FIG. 12 of the knee joint assembly of FIG. 9;
 FIG. 14 is a back view of the knee joint assembly of FIG. 9;
 FIG. 15 is a bottom view of the knee joint assembly of FIG. 9;
 FIG. 16 is a top view of the knee joint assembly of FIG. 9;
 FIG. 17 is a top perspective view of a femoral component of the knee joint assembly;
 FIG. 18 is a front view of the femoral component of FIG. 17;
 FIG. 19 is a side view of the femoral component of FIG. 17;
 FIG. 20 is a side view opposite that of FIG. 19 of the femoral component of FIG. 17;
 FIG. 21 is a back view of the femoral component of FIG. 17;
 FIG. 22 is a bottom view of the femoral component of FIG. 17;
 FIG. 23 is a top view of the femoral component of FIG. 17;
 FIG. 24 is a top perspective view of a tibial component of the knee joint assembly;
 FIG. 25 is a bottom perspective view of the tibial component of FIG. 24;
 FIG. 26 is a front view of the tibial component of FIG. 24;
 FIG. 27 is a side view of the tibial component of FIG. 24;
 FIG. 28 is a side view opposite that of FIG. 27 of the tibial component of FIG. 24;
 FIG. 29 is a back view of the tibial component of FIG. 24;
 FIG. 30 is a bottom view of the tibial component of FIG. 24;
 FIG. 31 is a top view of the tibial component of FIG. 24;
 FIG. 32 is a top perspective view of a spacer of the knee joint assembly;
 FIG. 33 is a front view of the spacer of FIG. 32;
 FIG. 34 is a side view of the spacer of FIG. 32;
 FIG. 35 is a side view opposite that of FIG. 34 of the spacer of FIG. 32;
 FIG. 36 is a back view of the spacer of FIG. 32;
 FIG. 37 is a bottom view of the spacer of FIG. 32; and,
 FIG. 38 is a top view of the spacer of FIG. 32.

1 Claim, 38 Drawing Sheets



(56)

References Cited

U.S. PATENT DOCUMENTS

D291,003	S	*	7/1987	Huckstep	D24/155	5,989,472	A	*	11/1999	Ashby et al.	264/273
5,019,104	A	*	5/1991	Whiteside et al.	623/20.2	D473,307	S	*	4/2003	Cooke	D24/155
D326,156	S	*	5/1992	Martinez	D24/155	6,712,856	B1	*	3/2004	Carignan et al.	623/20.35
5,171,282	A	*	12/1992	Pequignot	623/20.35	6,942,475	B2	*	9/2005	Ensign et al.	425/2
5,549,688	A	*	8/1996	Ries et al.	623/20.35	7,429,346	B2	*	9/2008	Ensign et al.	264/264
D374,078	S	*	9/1996	Johnson et al.	D24/155	8,632,600	B2	*	1/2014	Zannis et al.	623/20.17
							2009/0326667	A1	*	12/2009	Williams et al.	623/20.31
							2011/0029090	A1	*	2/2011	Zannis et al.	623/20.28

* cited by examiner

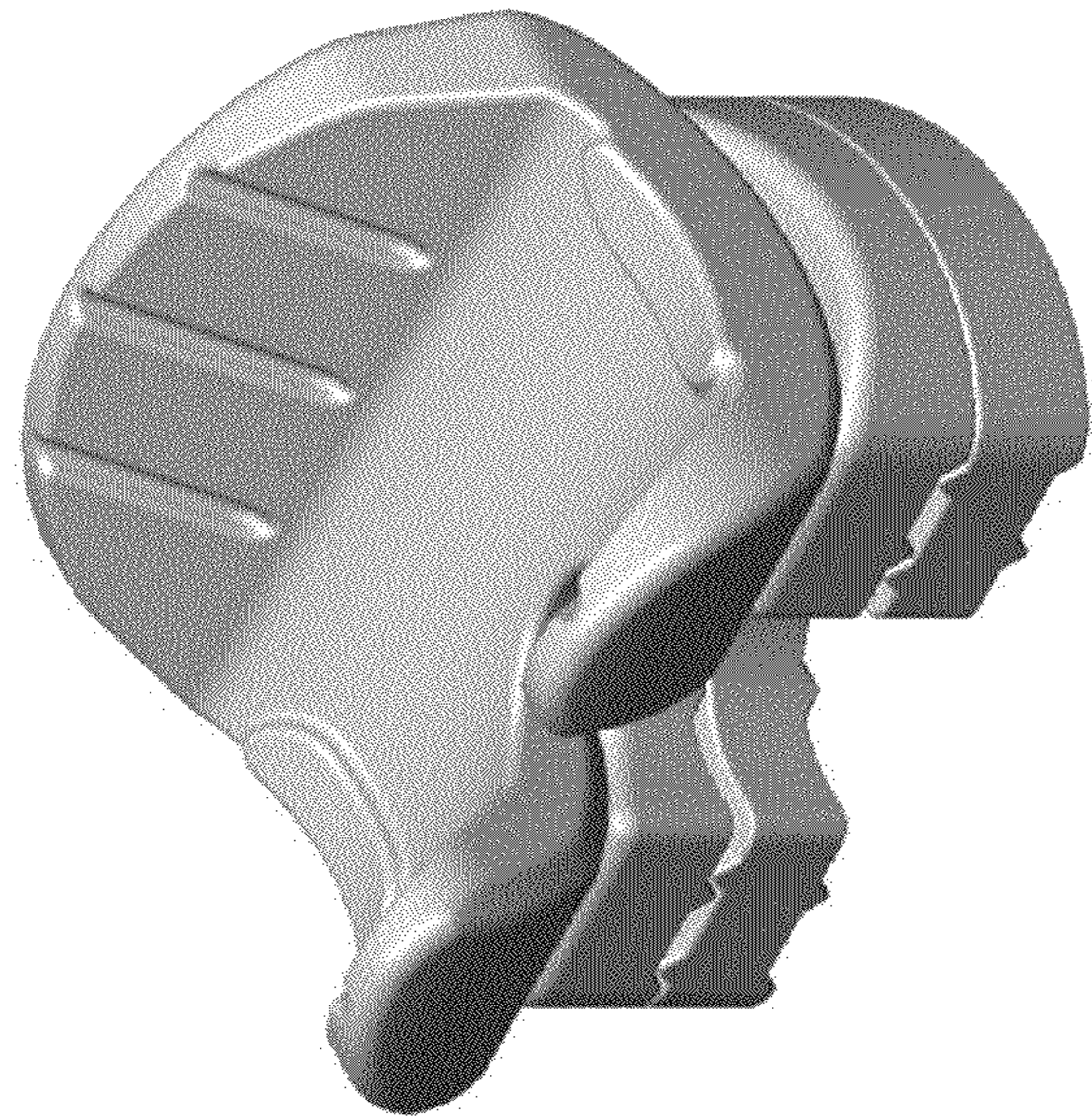


FIG. 1

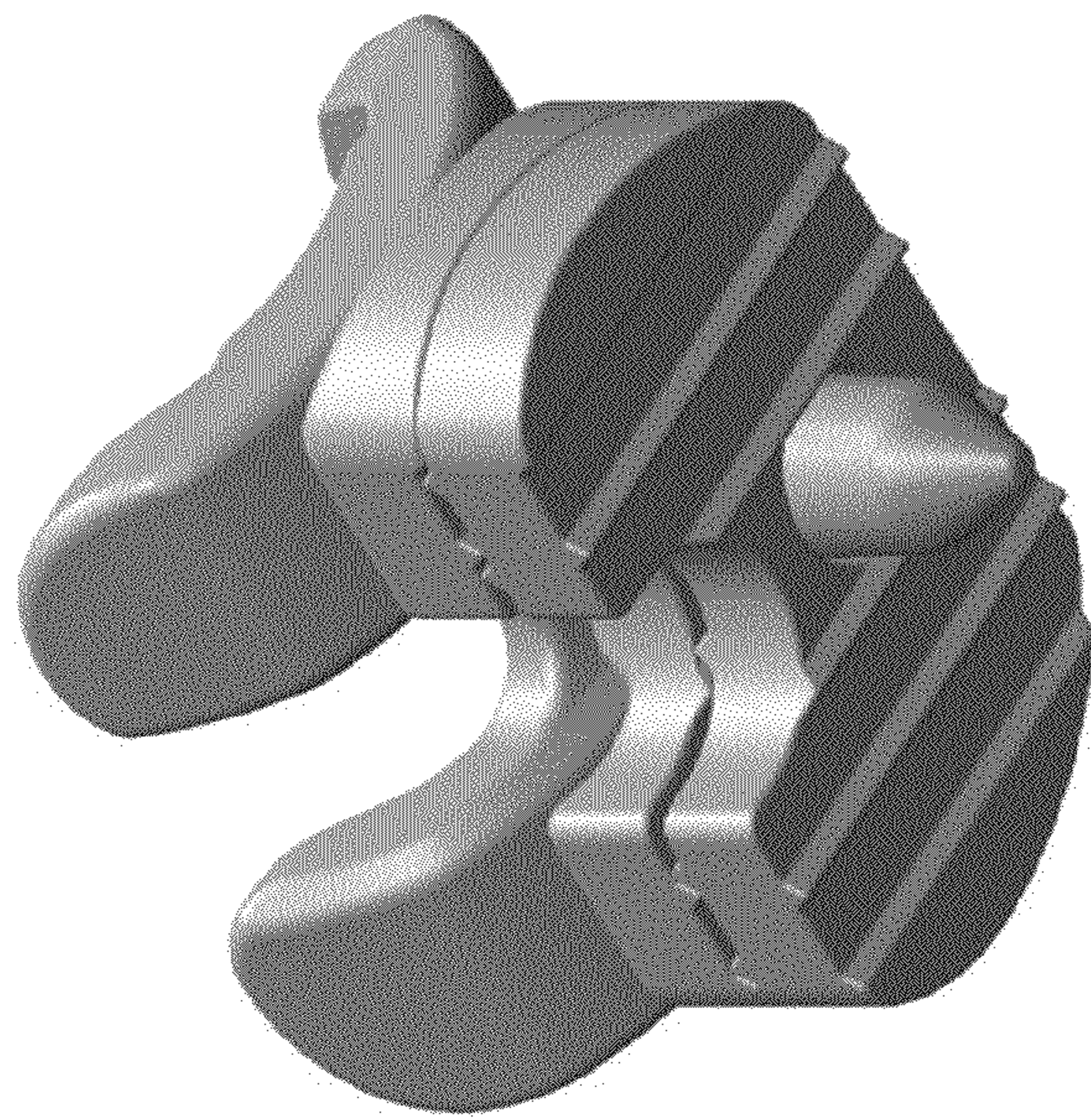


FIG. 2

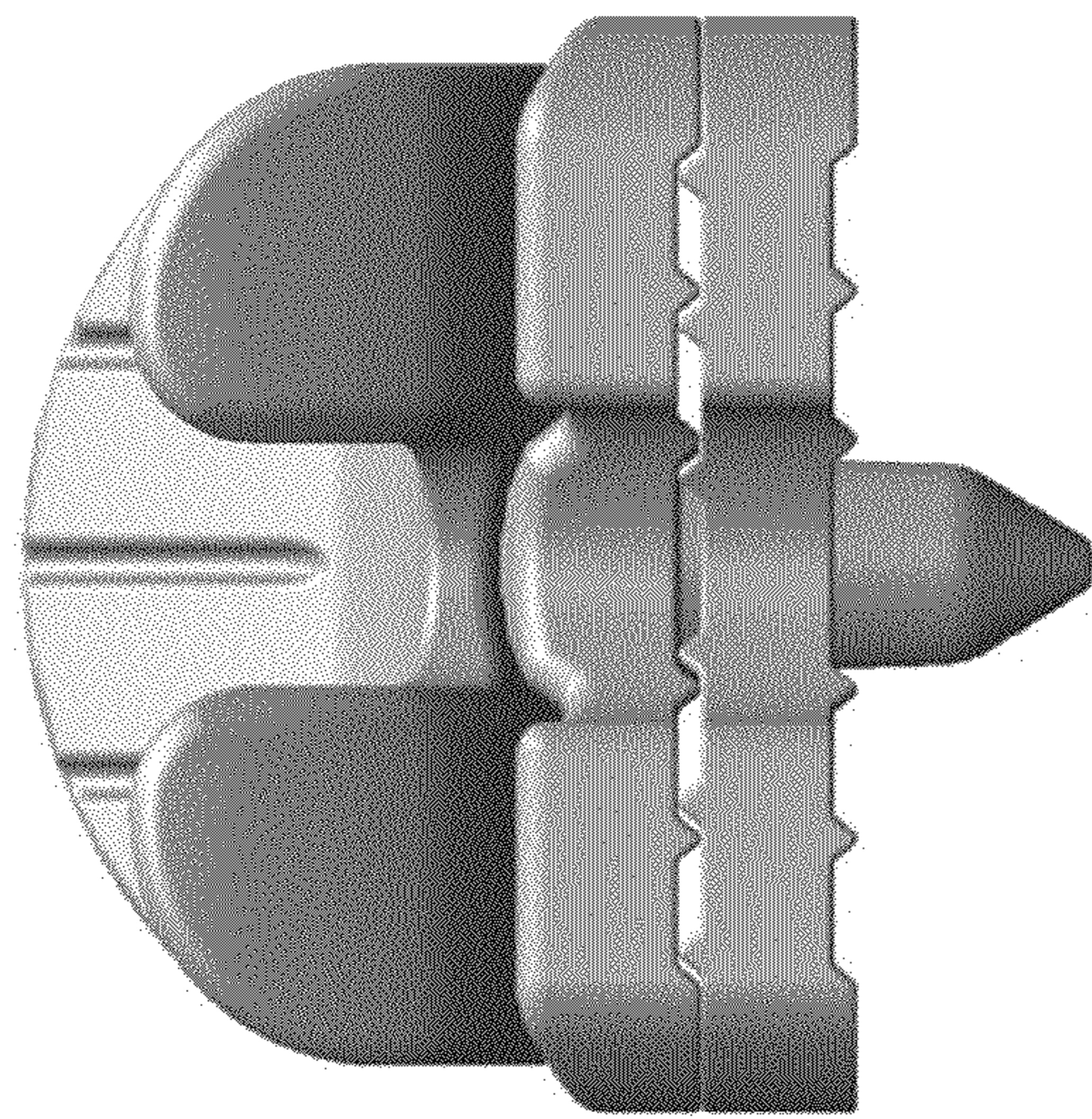


FIG. 3

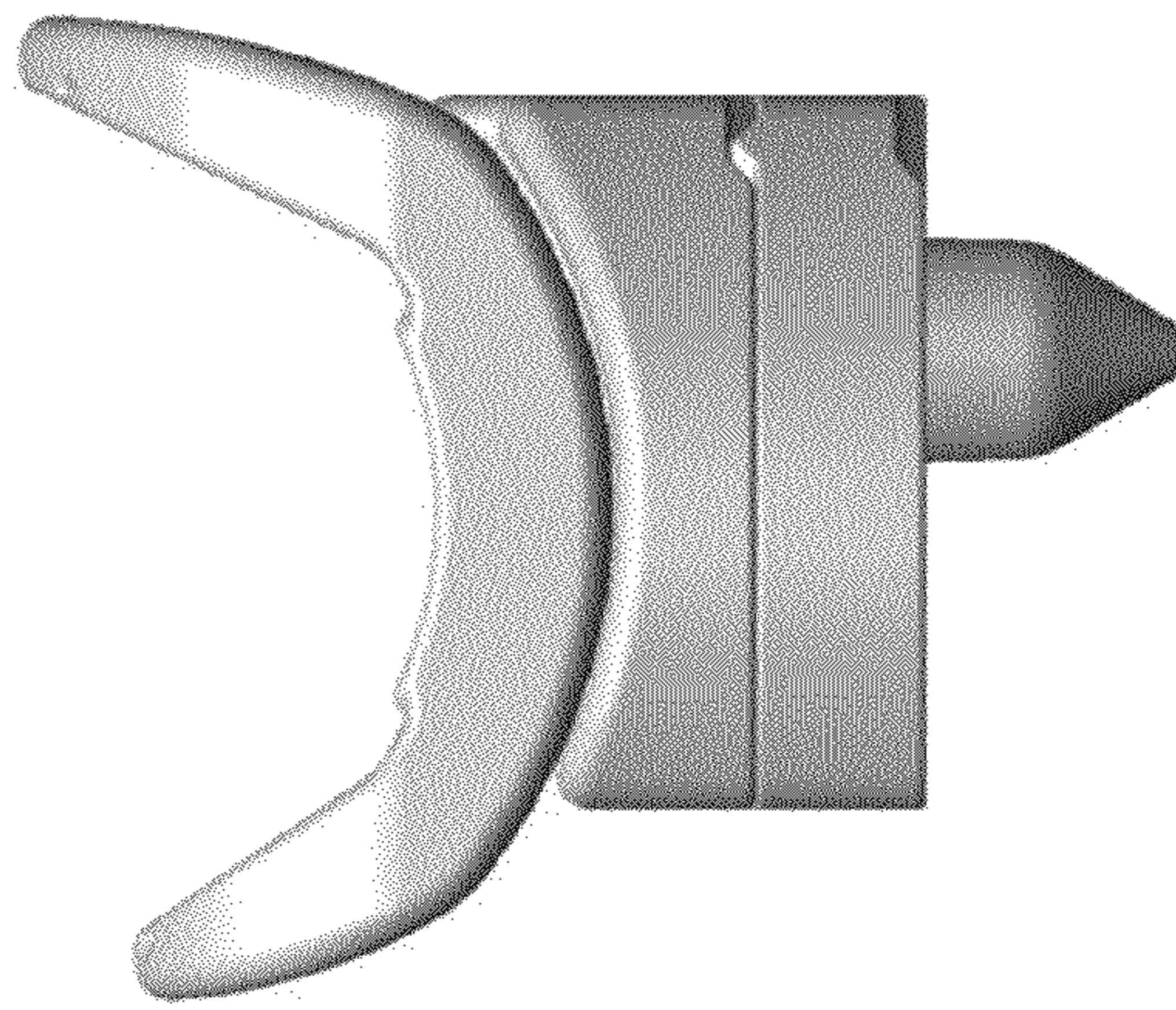


FIG. 4

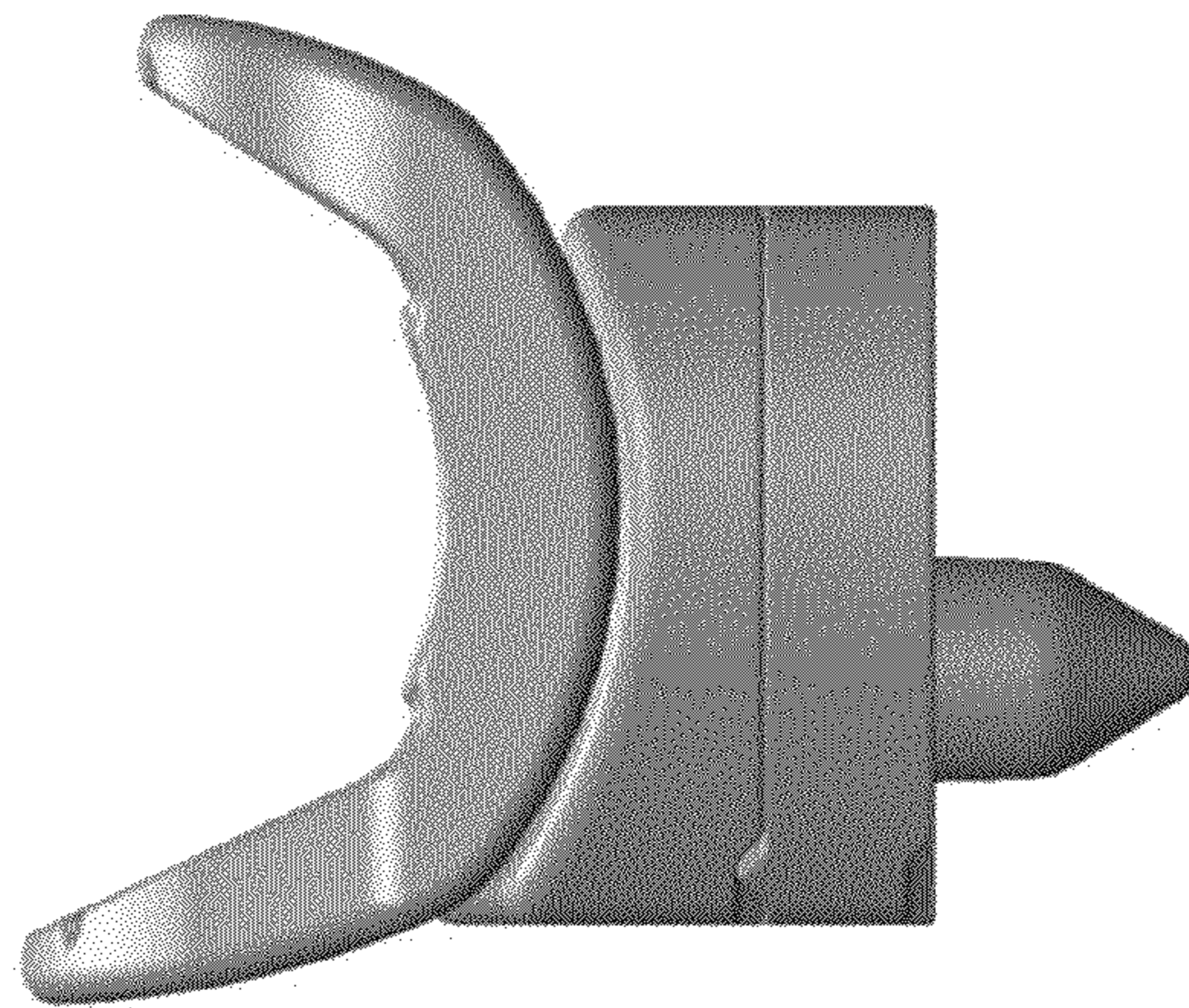


FIG. 5

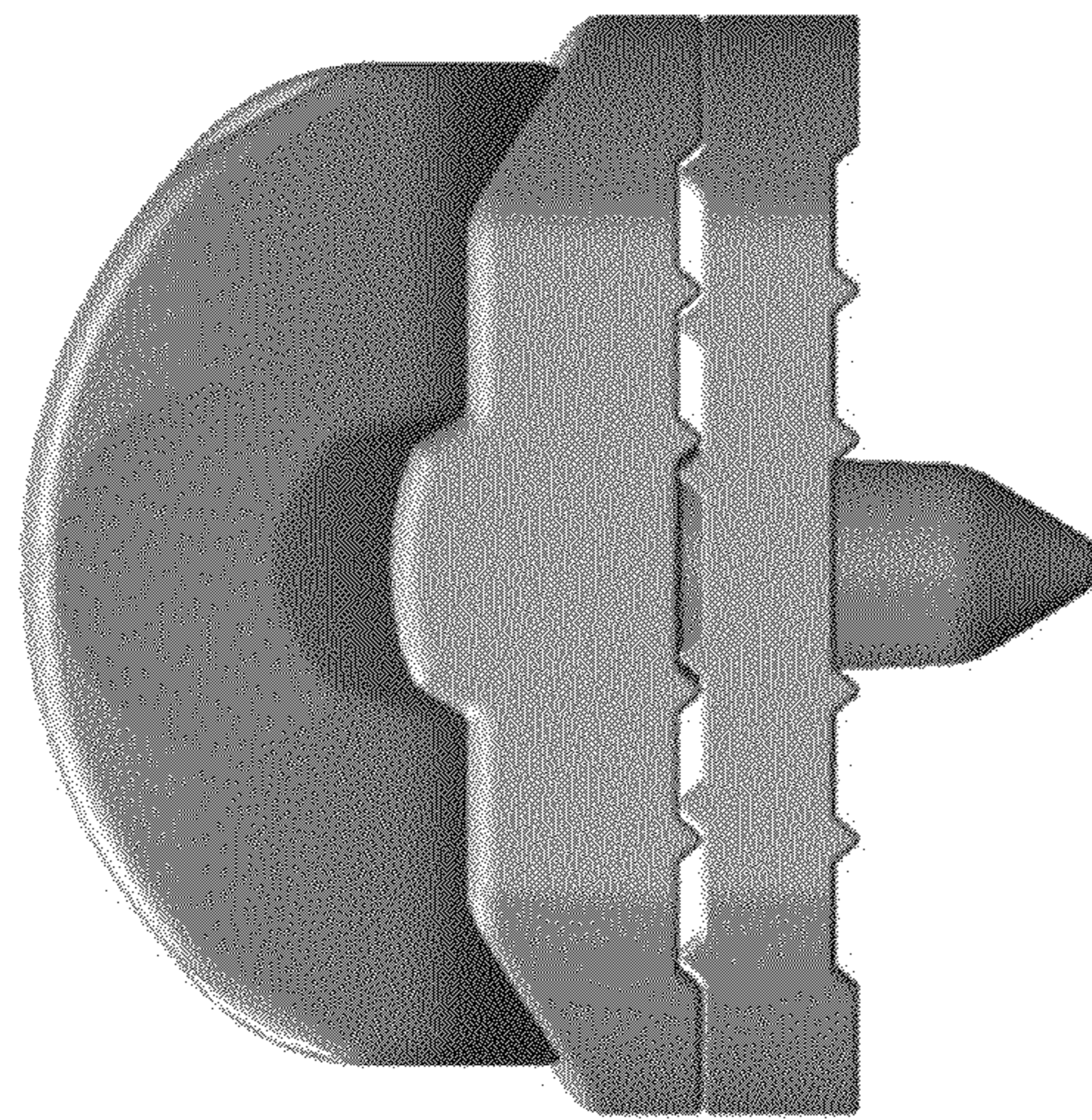


FIG. 6

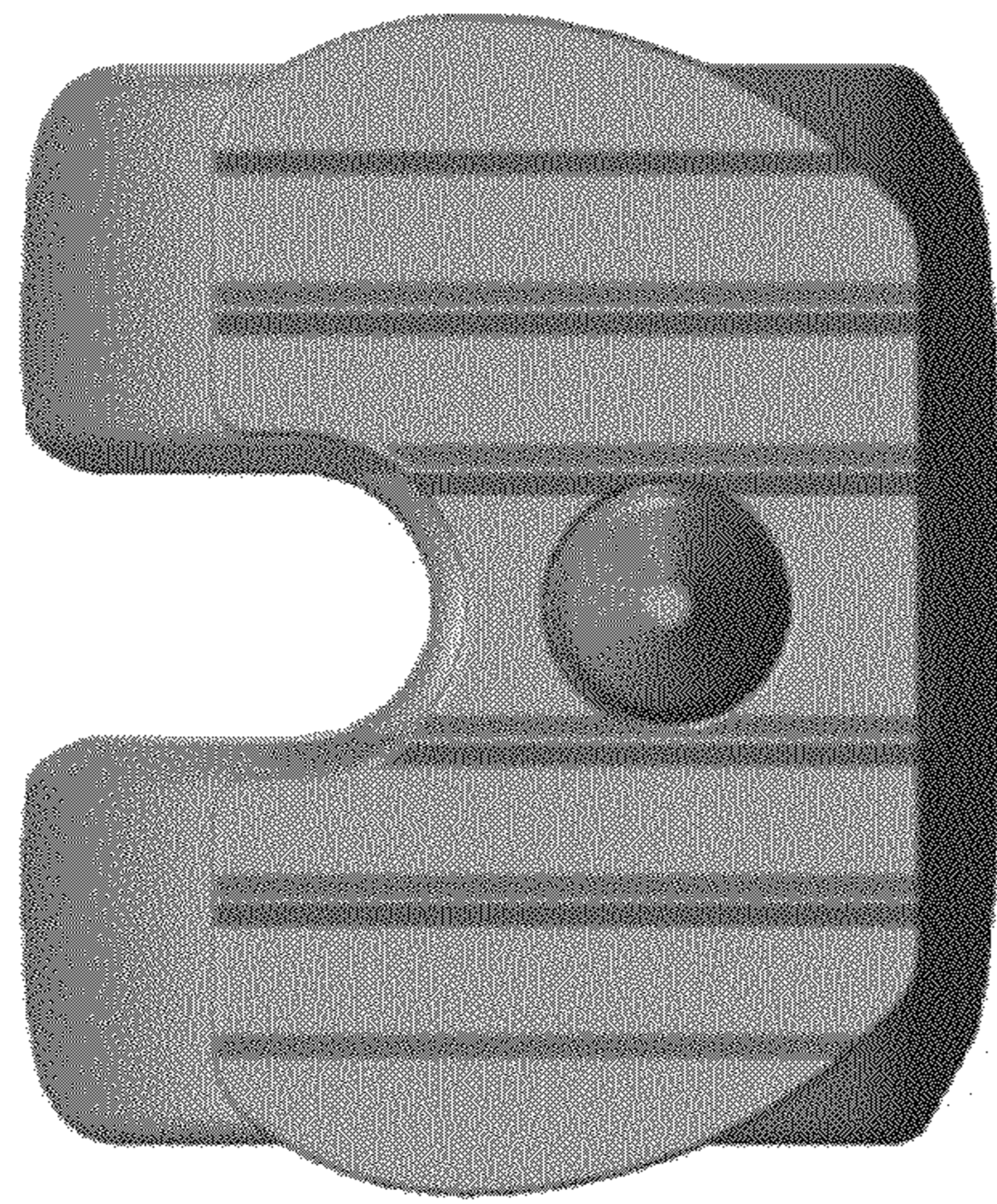


FIG. 7

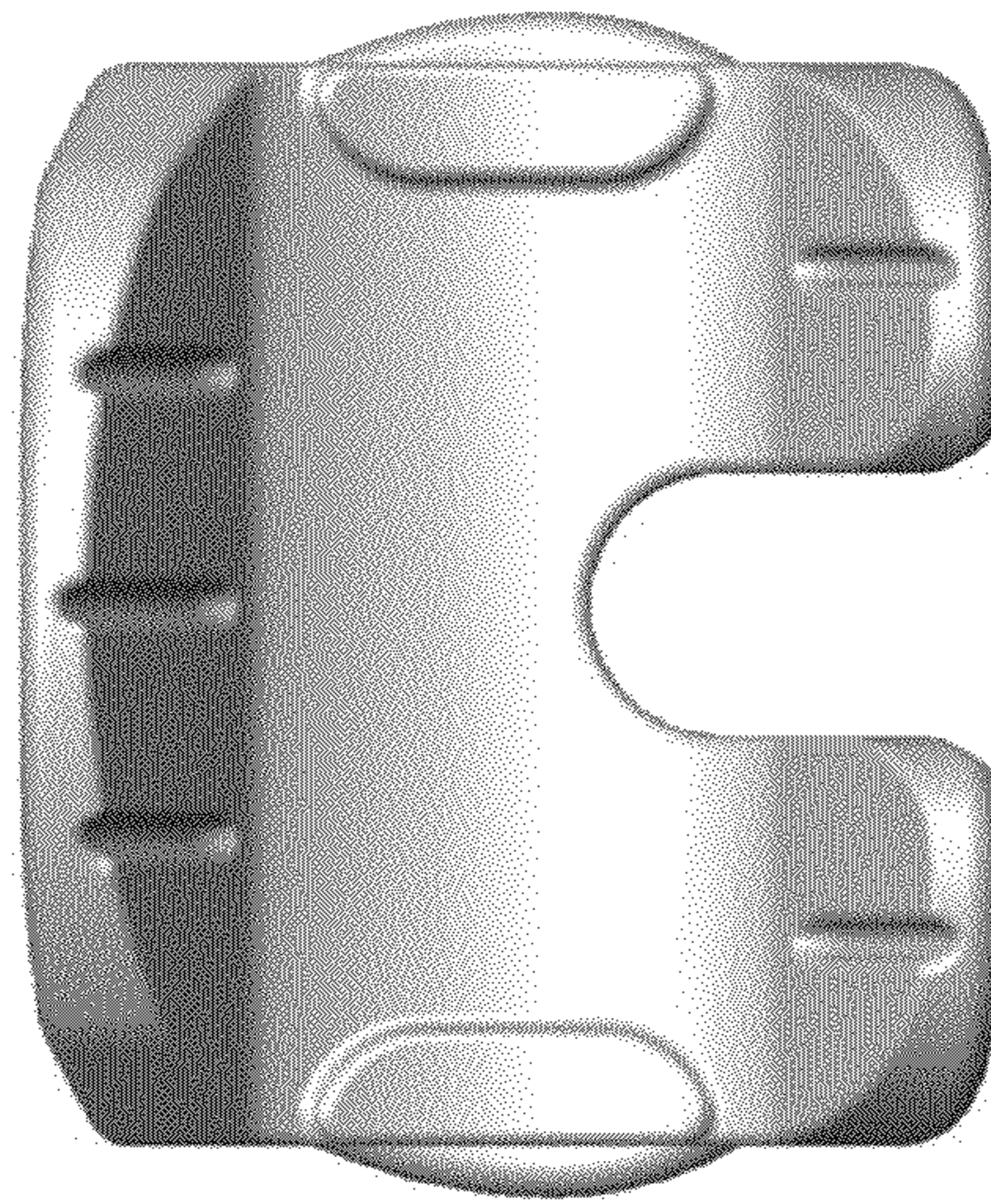


FIG. 8

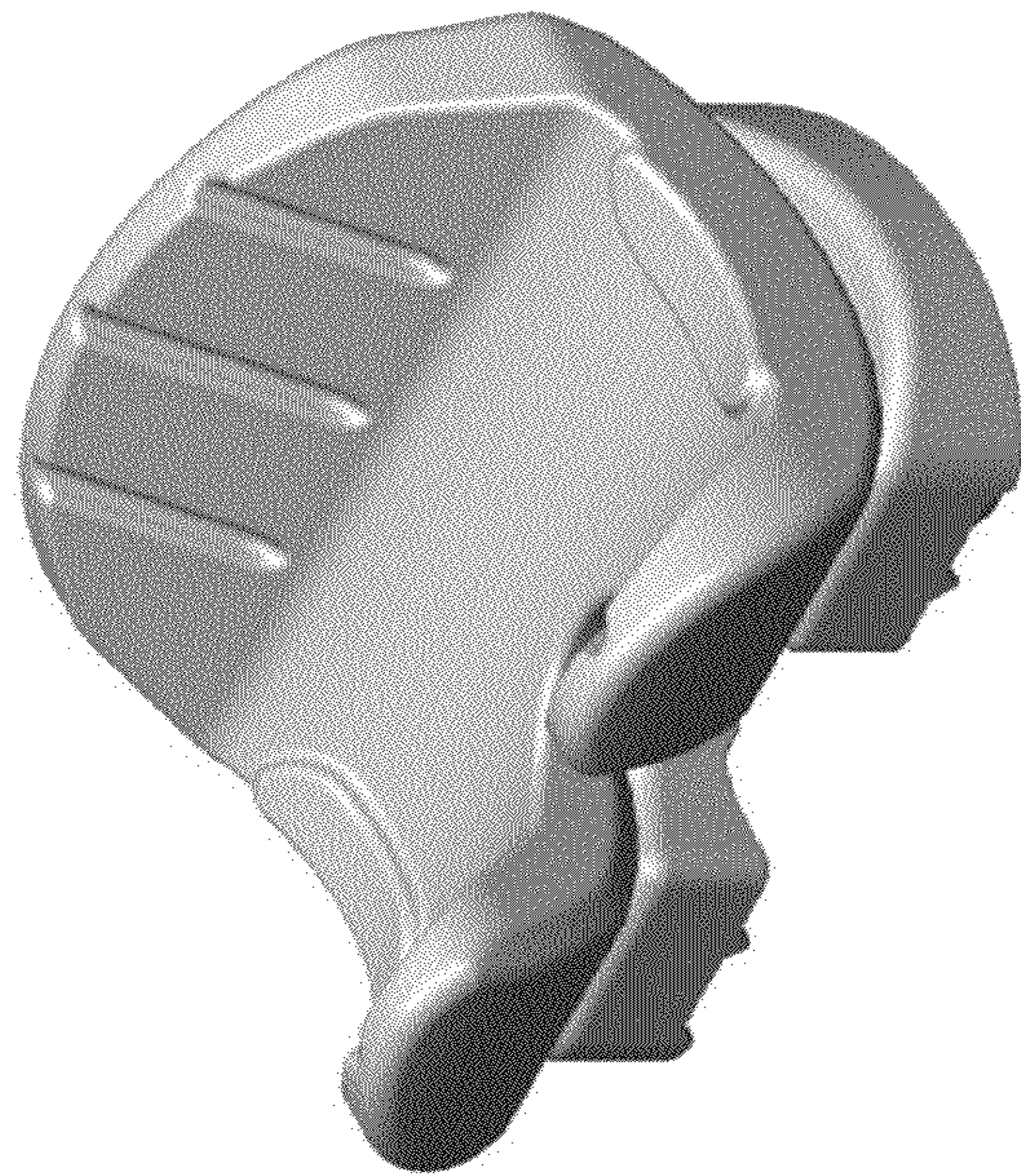


FIG. 9

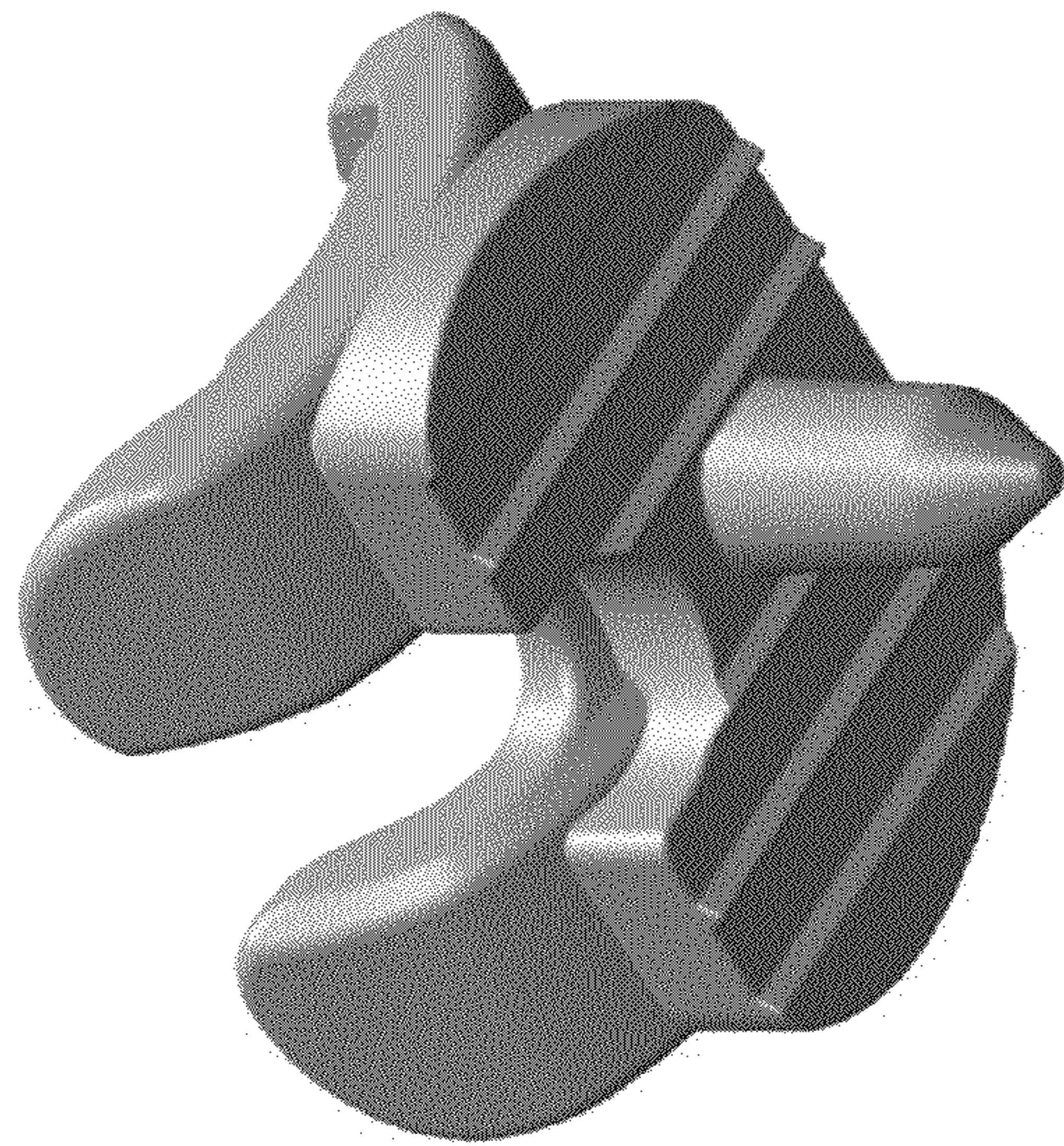


FIG. 10

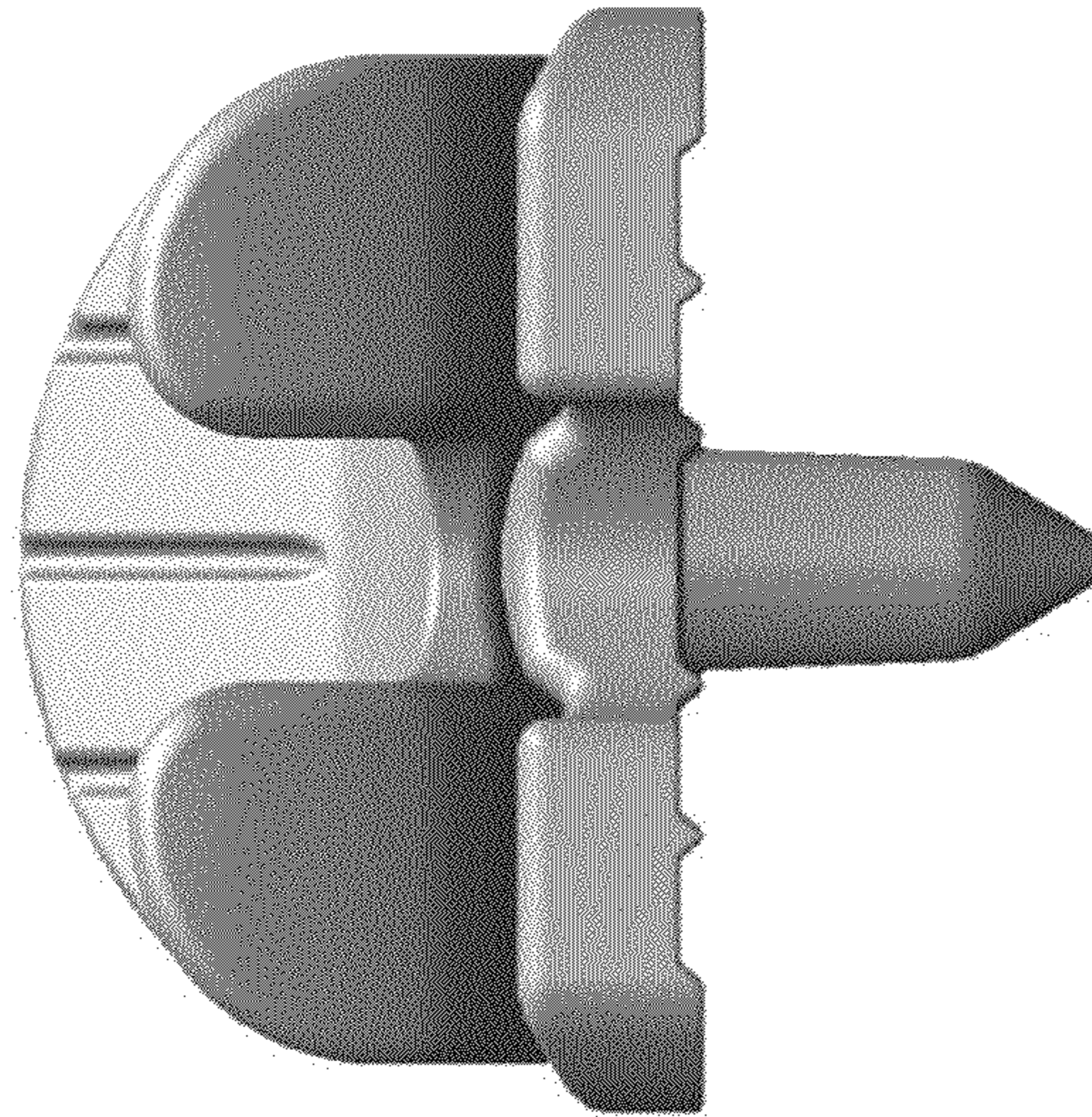


FIG. 11

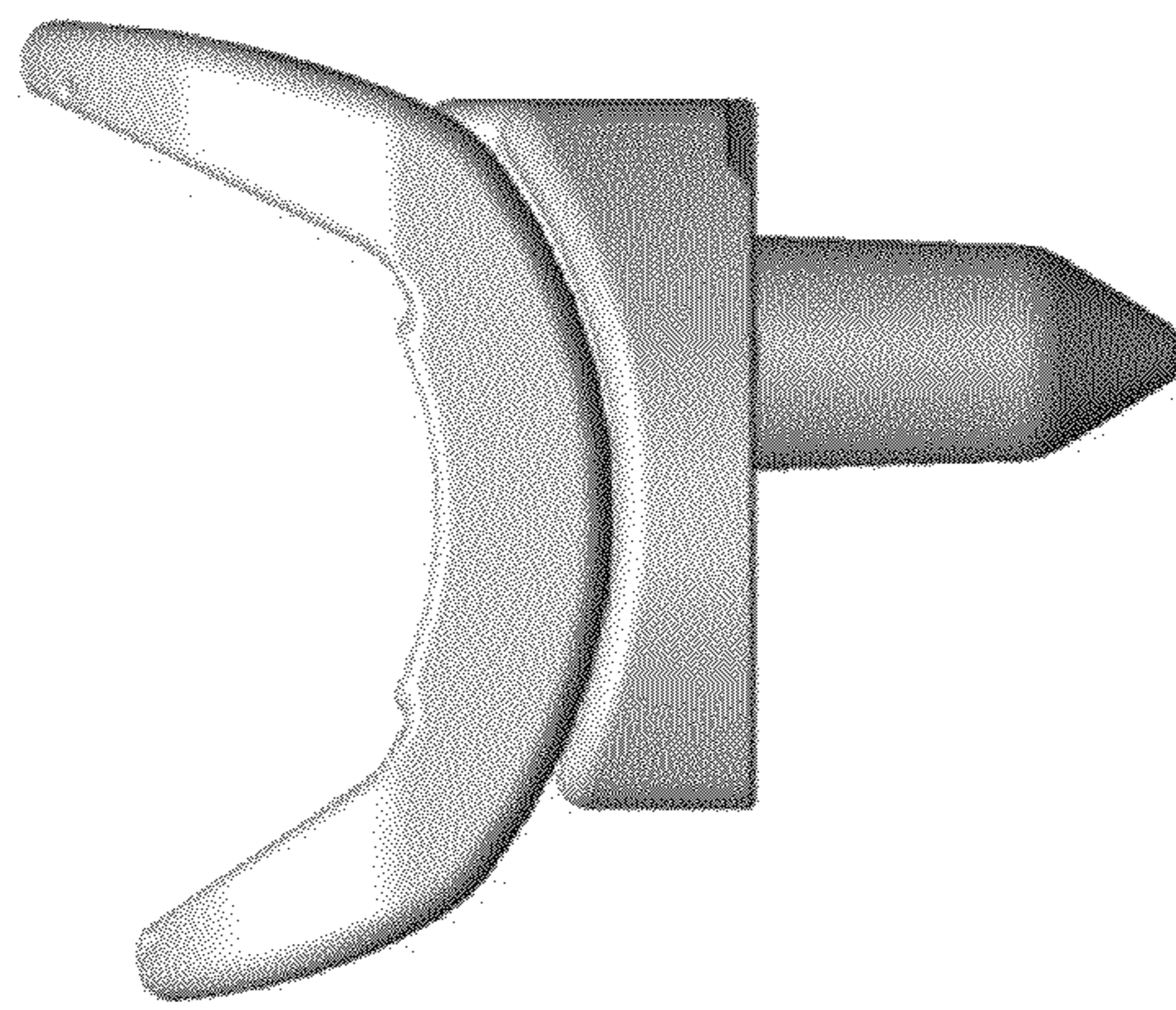


FIG. 12

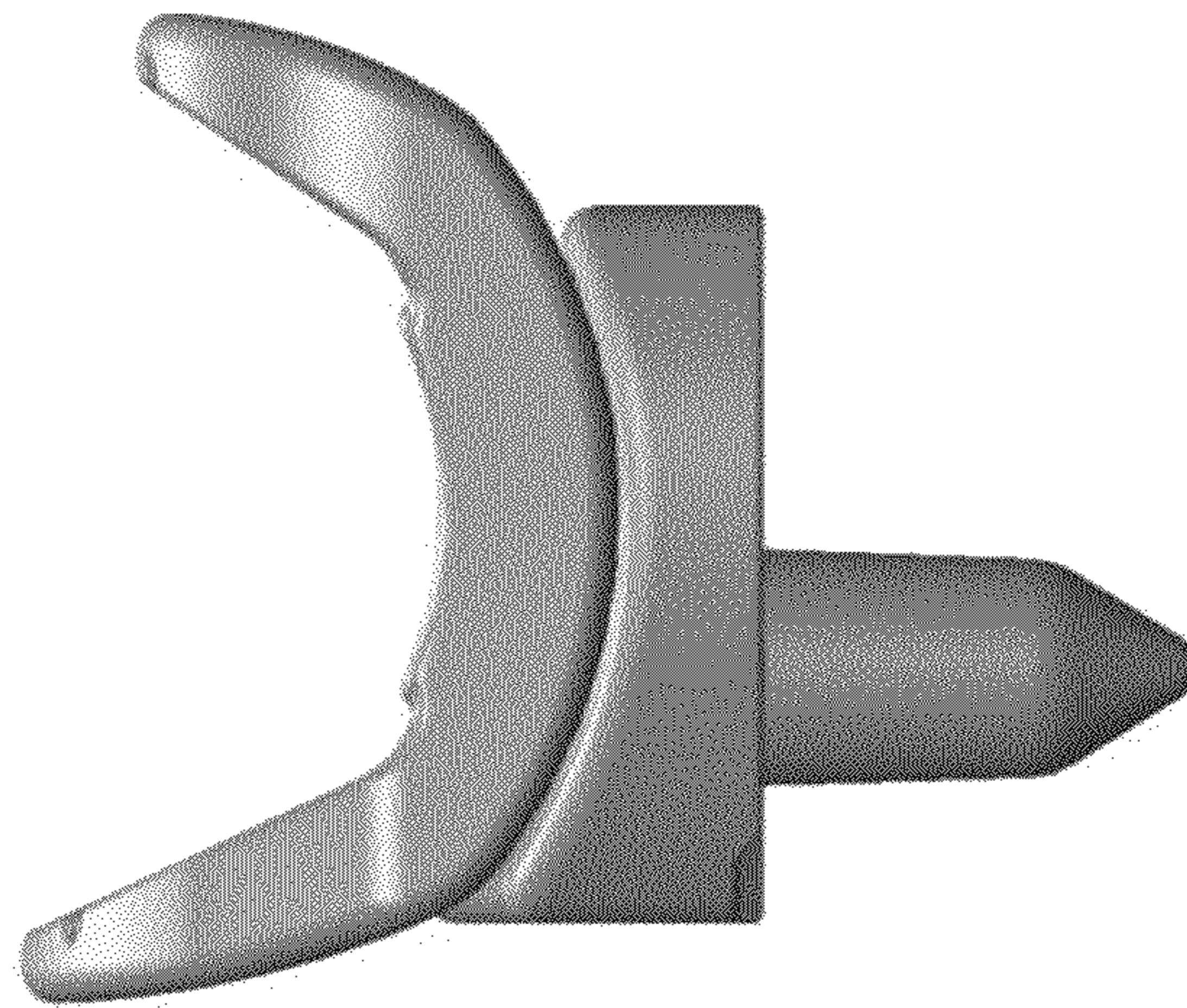


FIG. 13

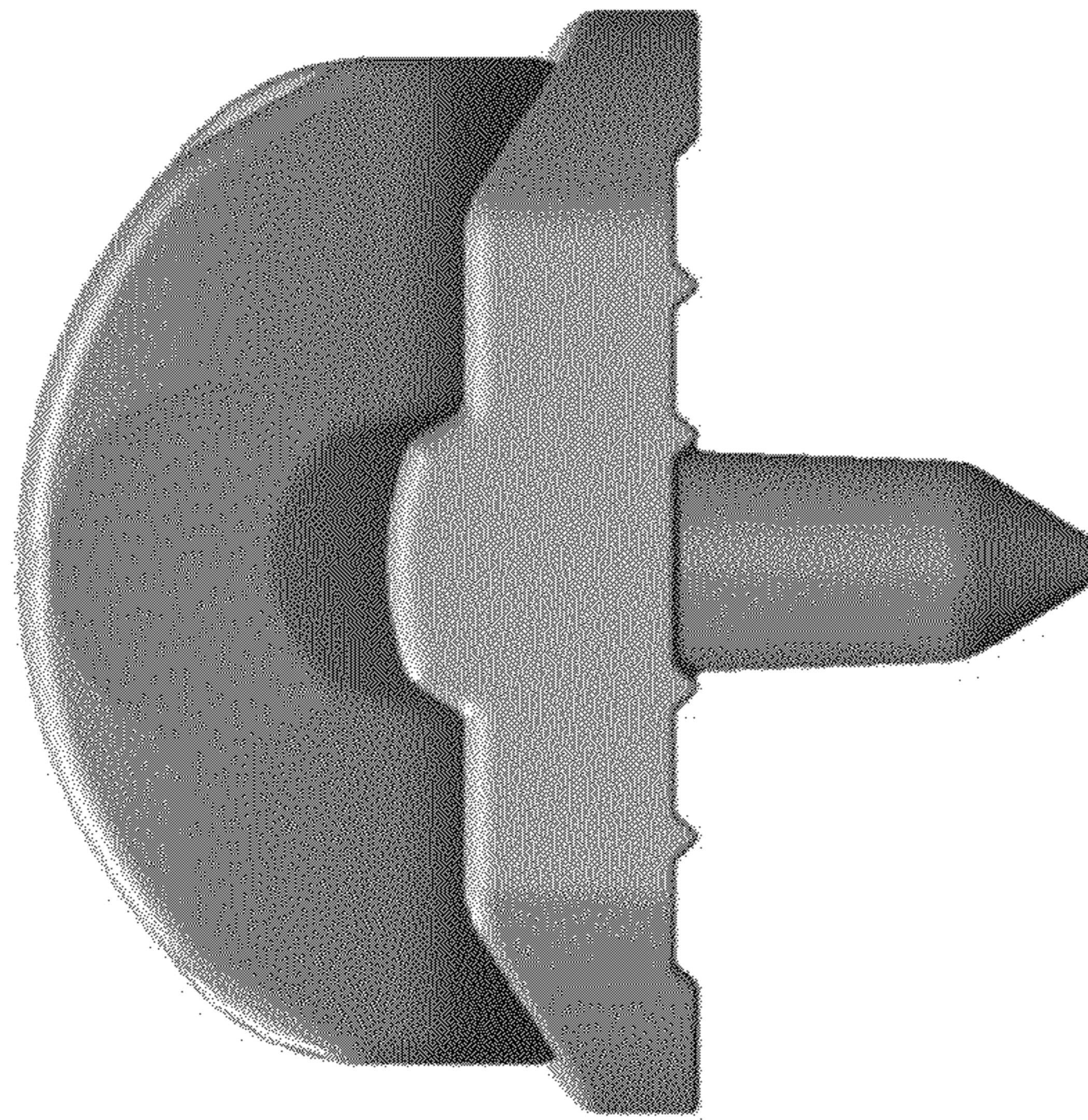


FIG. 14

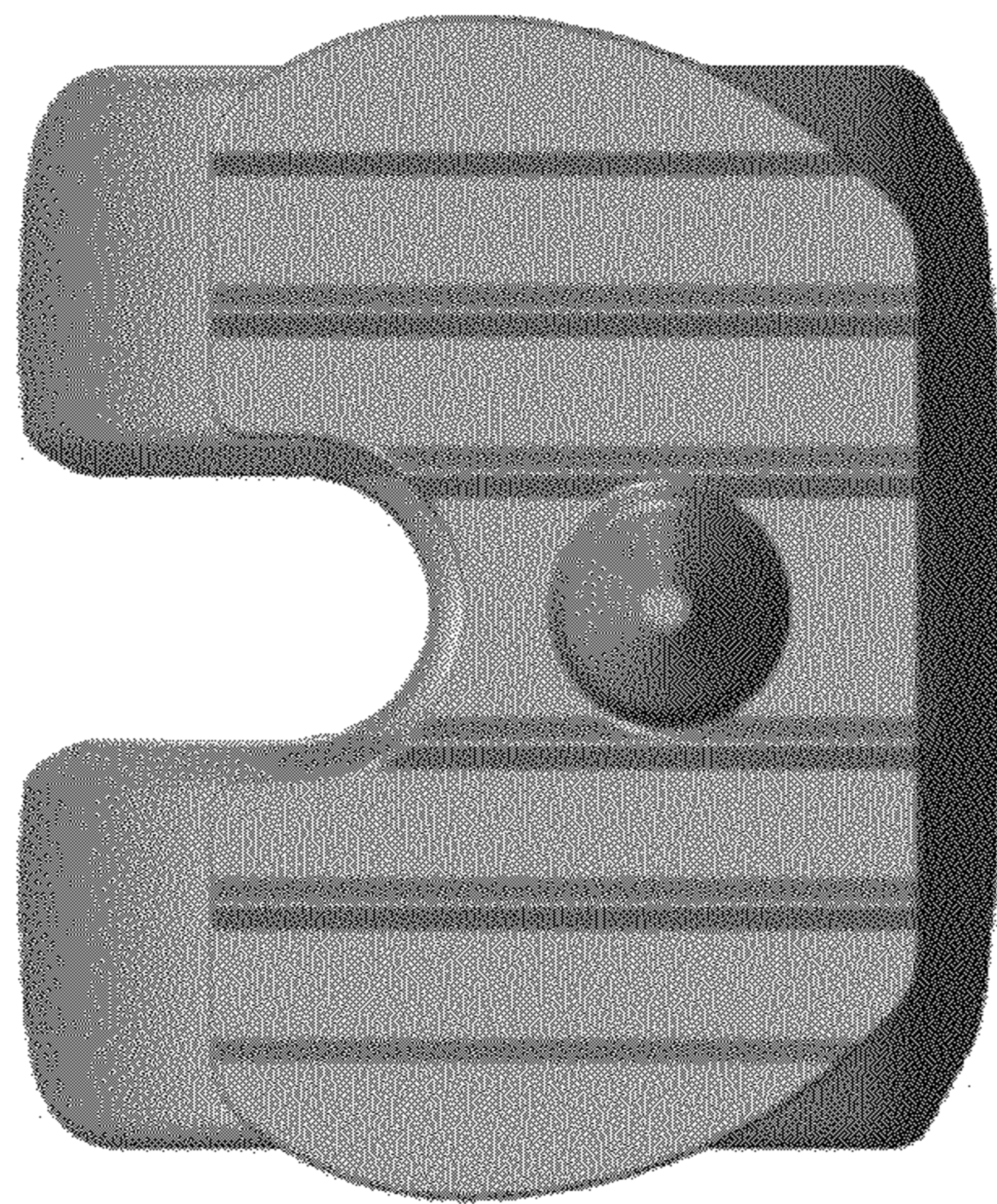


FIG. 15

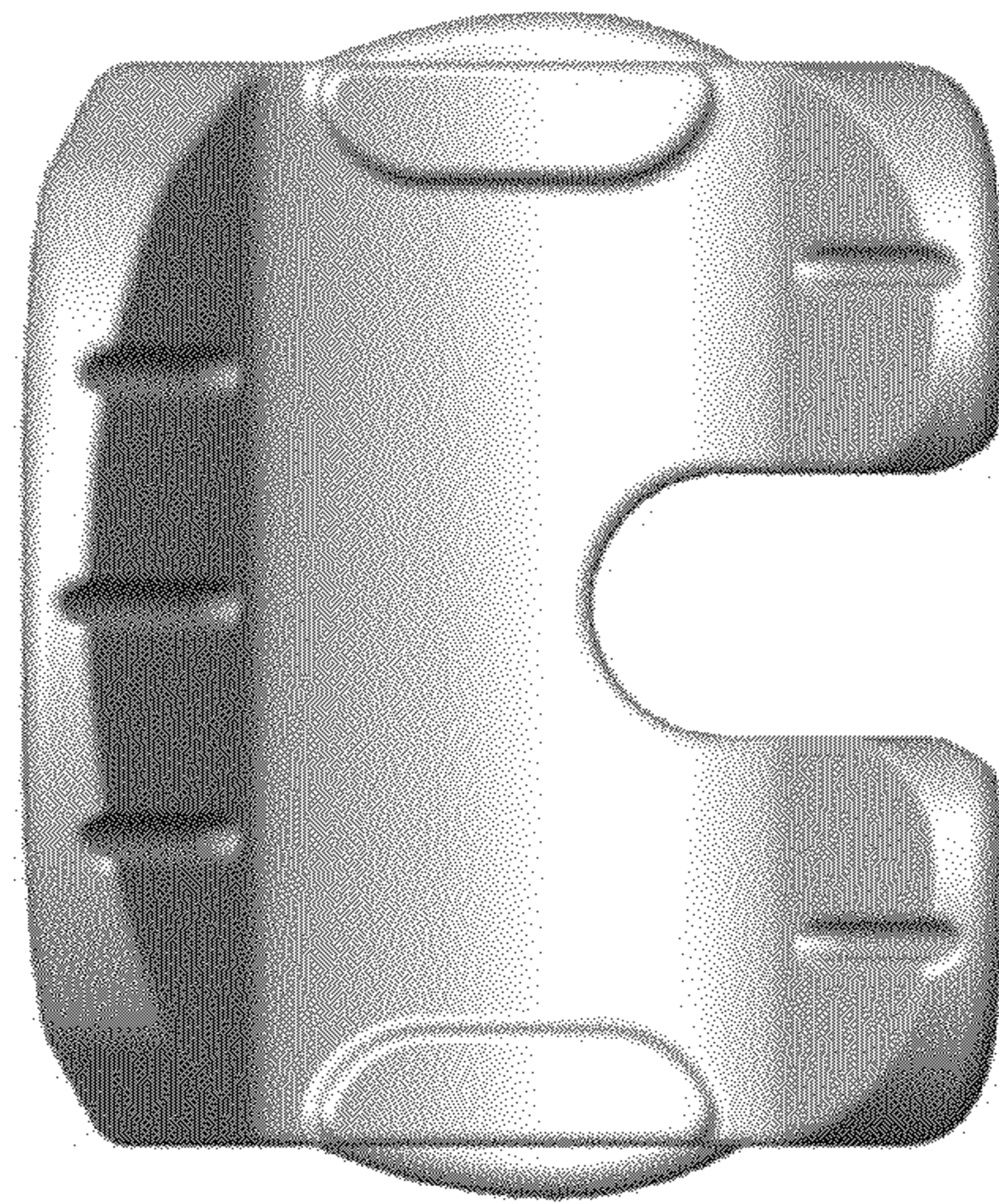


FIG. 16



FIG. 17

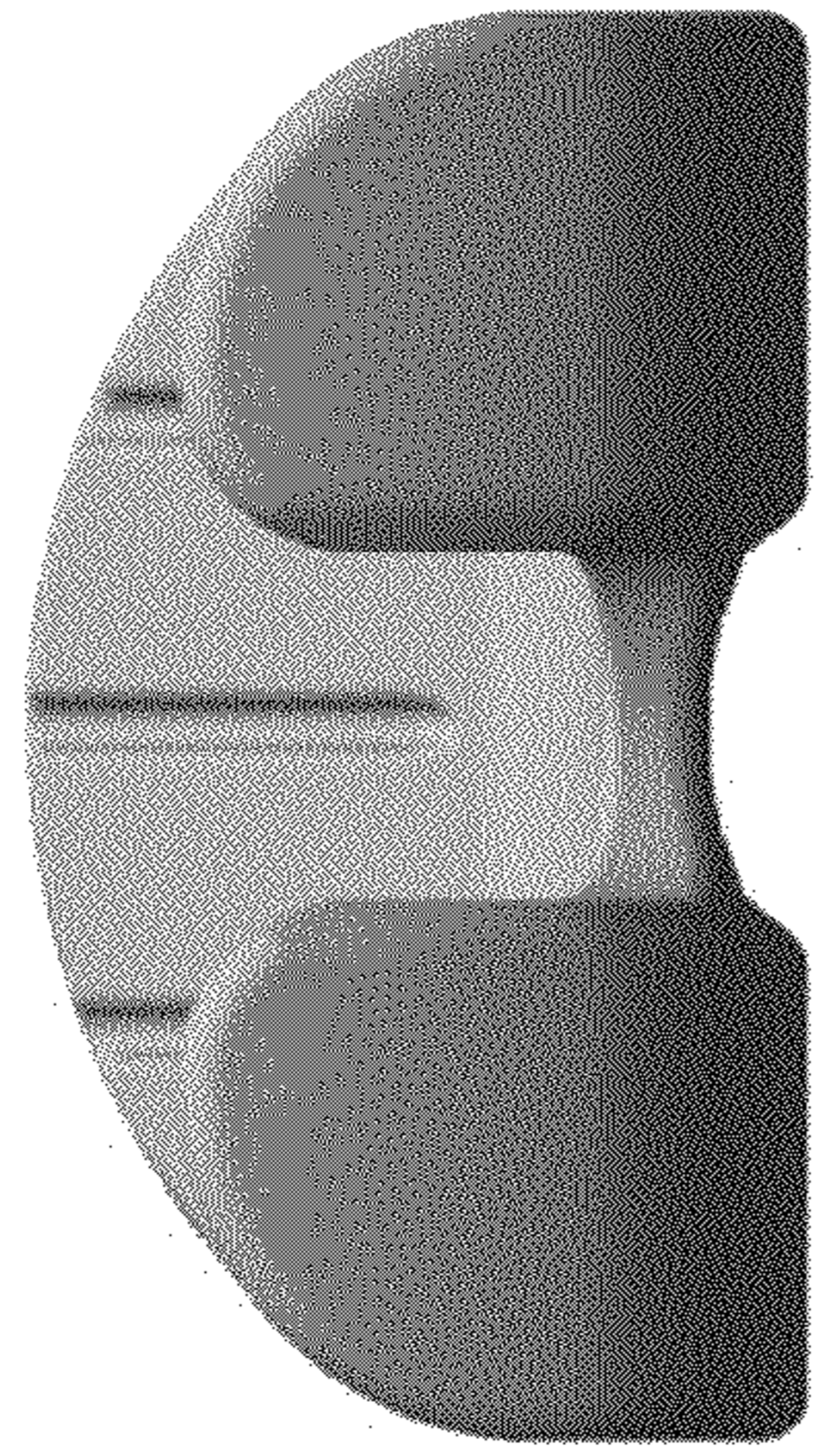


FIG. 18

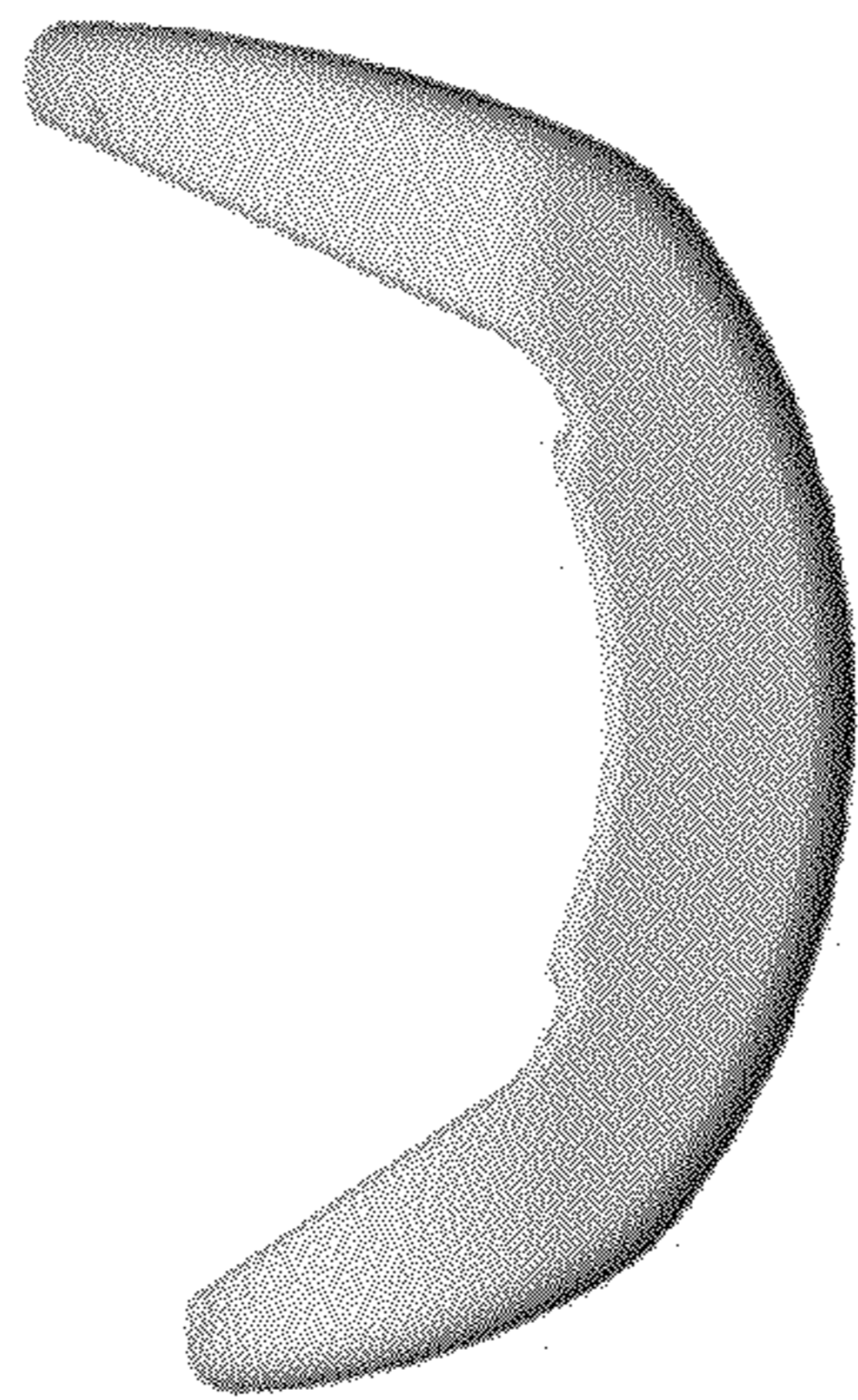


FIG. 19

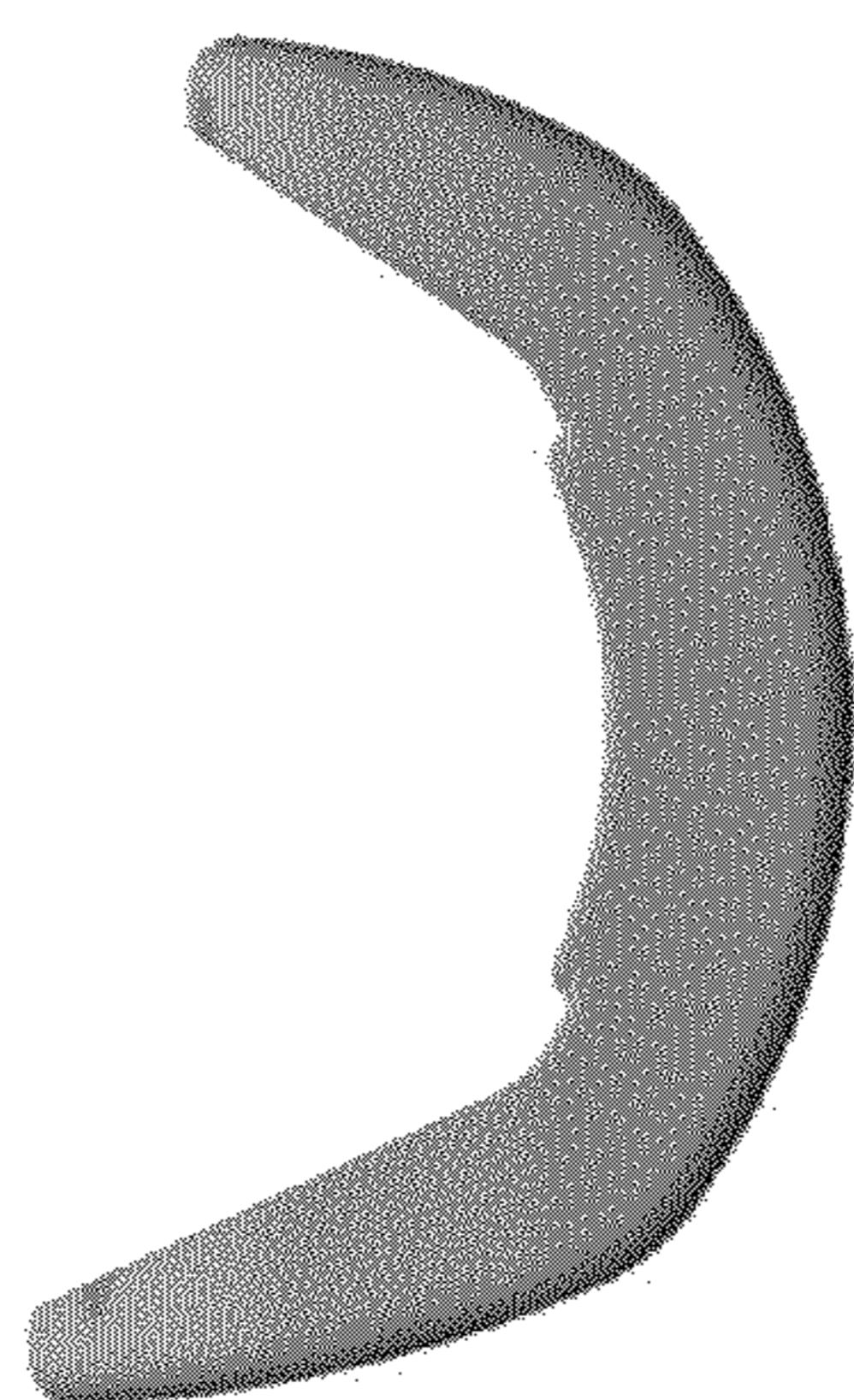


FIG. 20

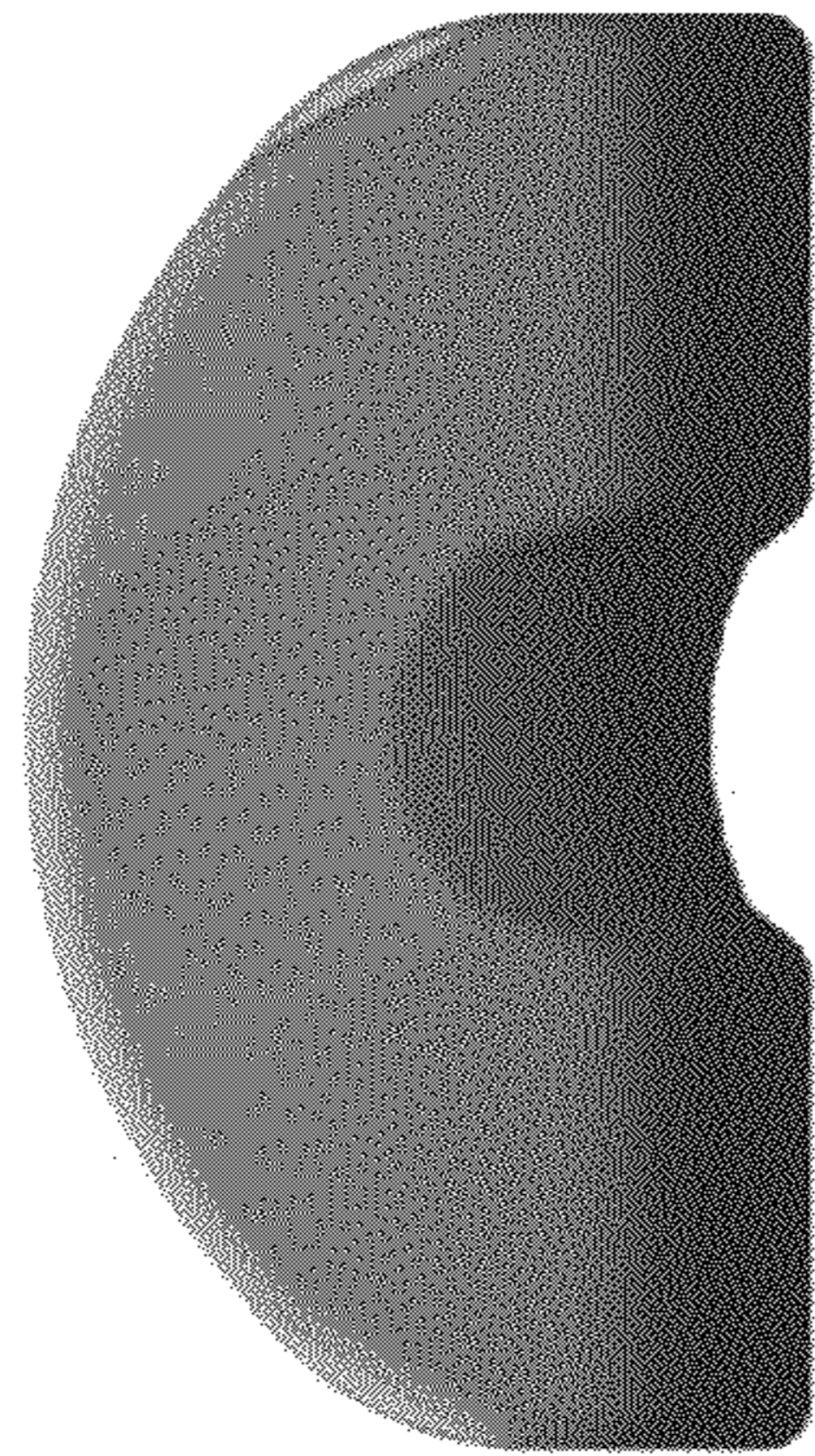


FIG. 21

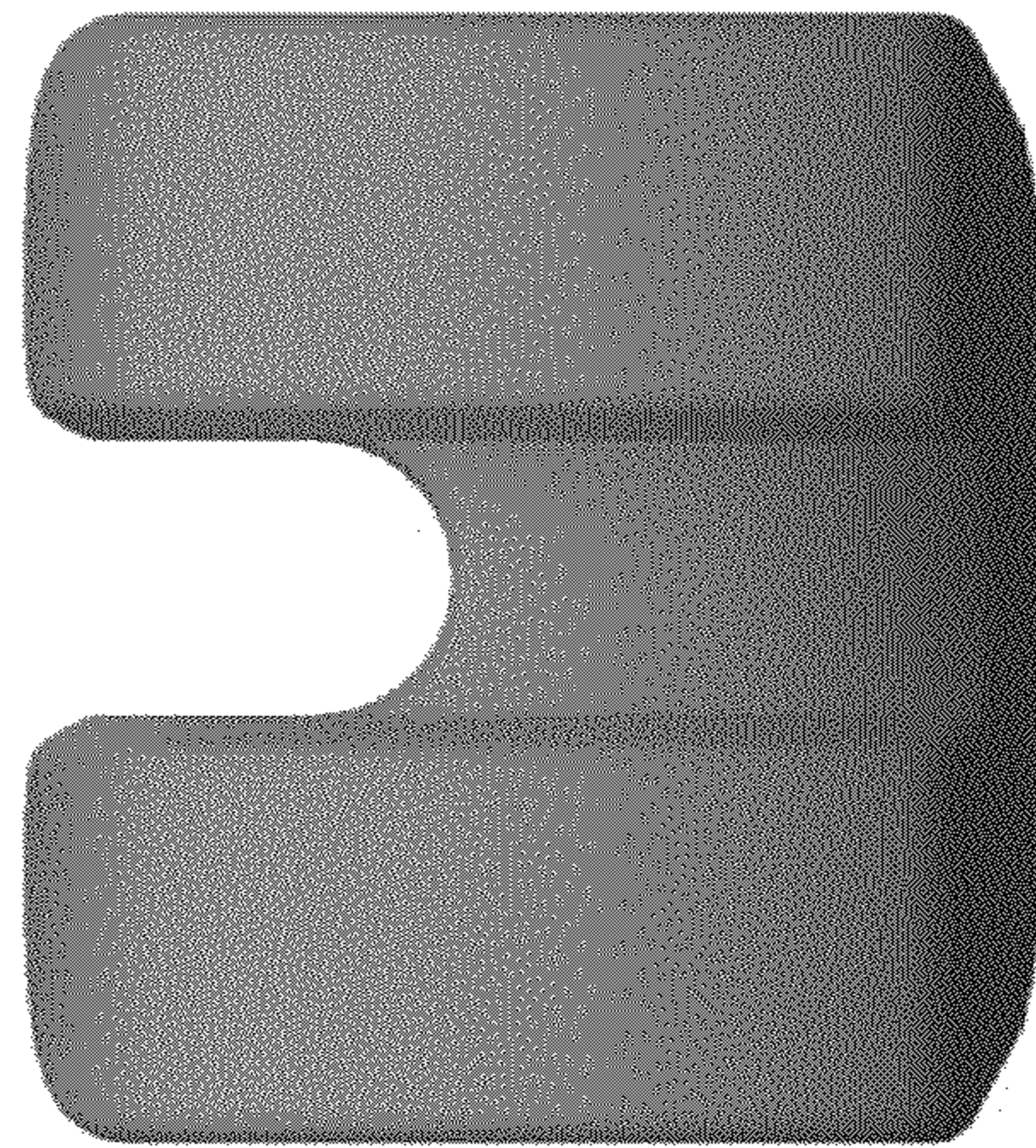


FIG. 22



FIG. 23

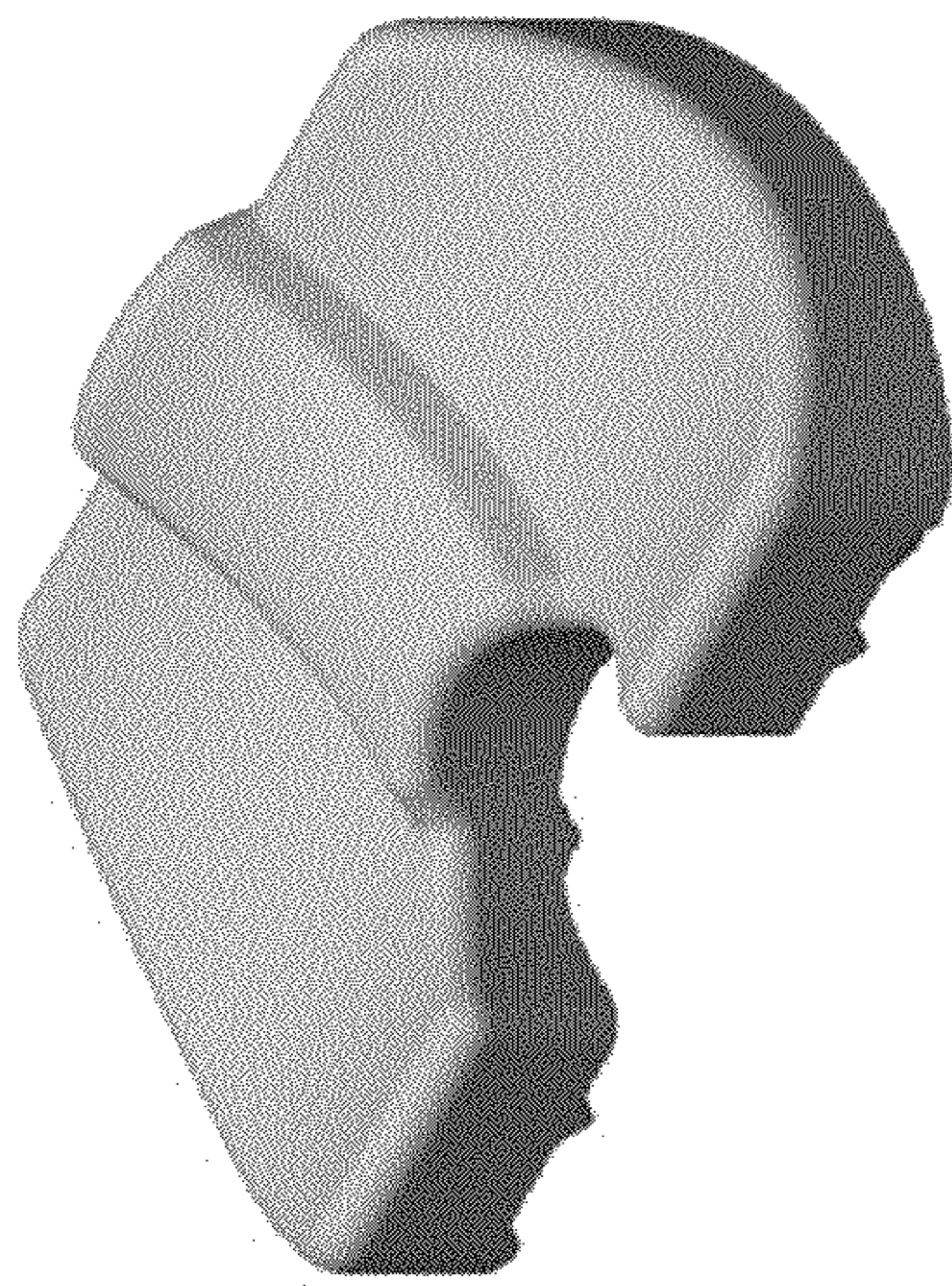


FIG. 24

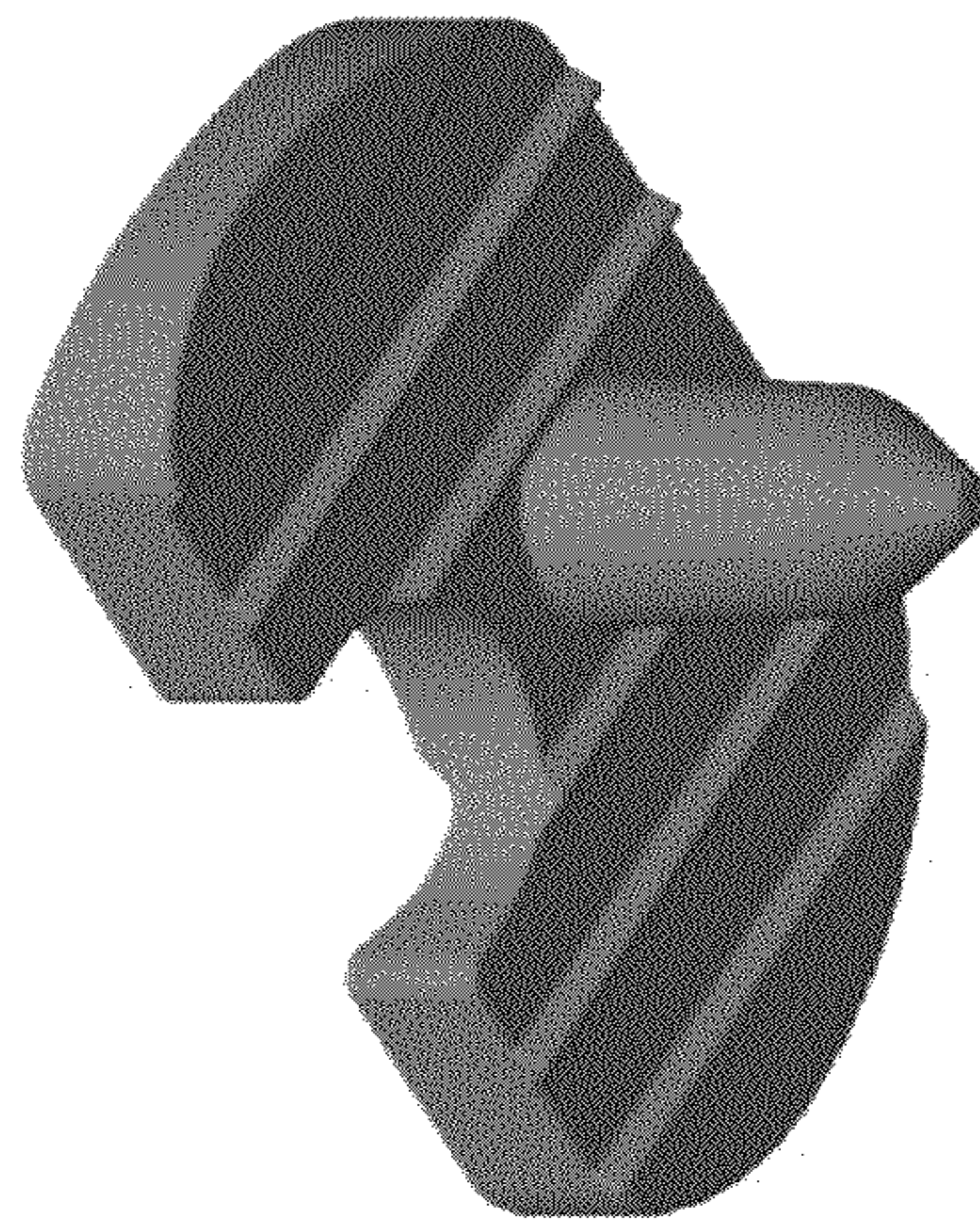


FIG. 25

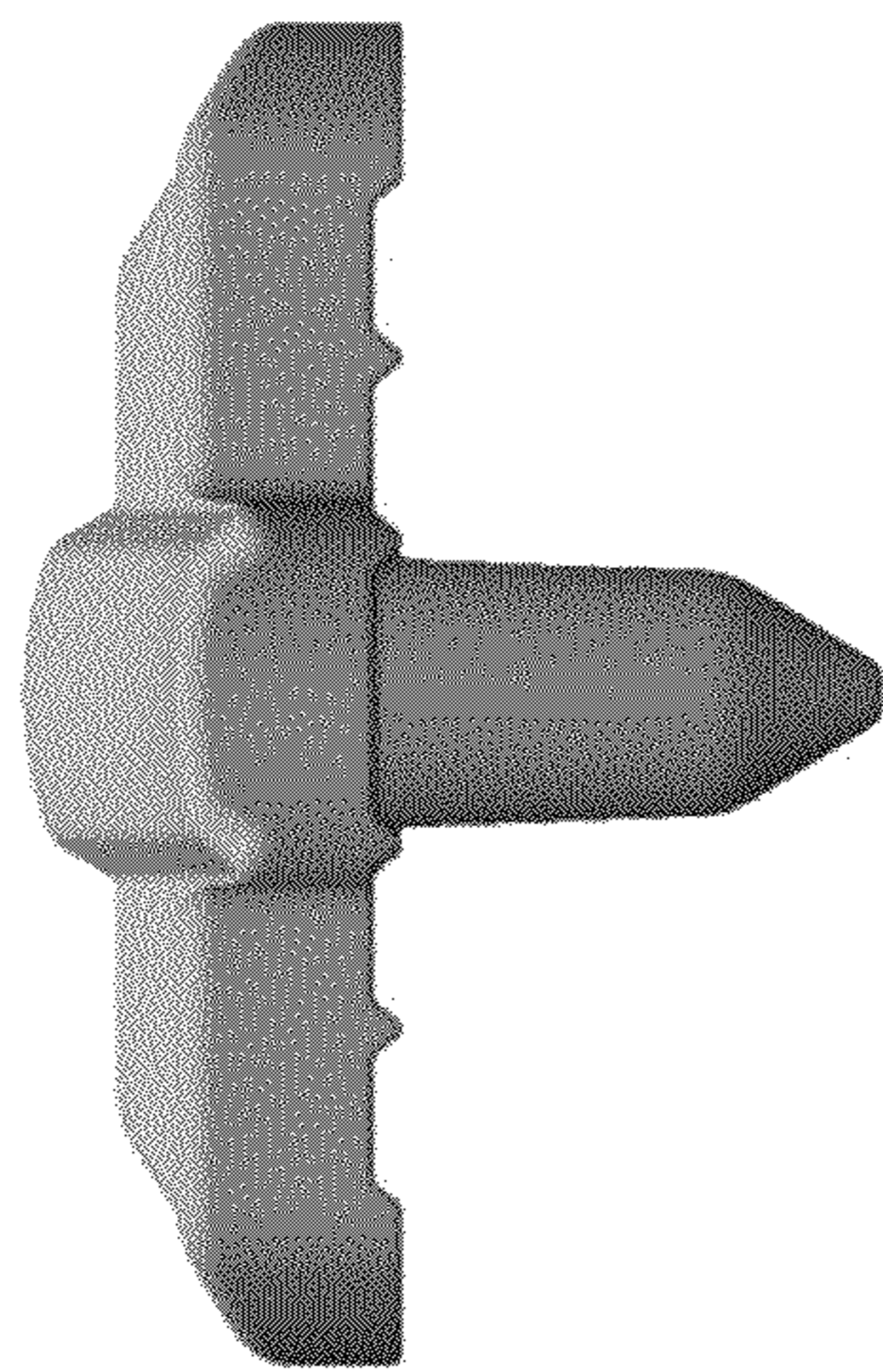


FIG. 26

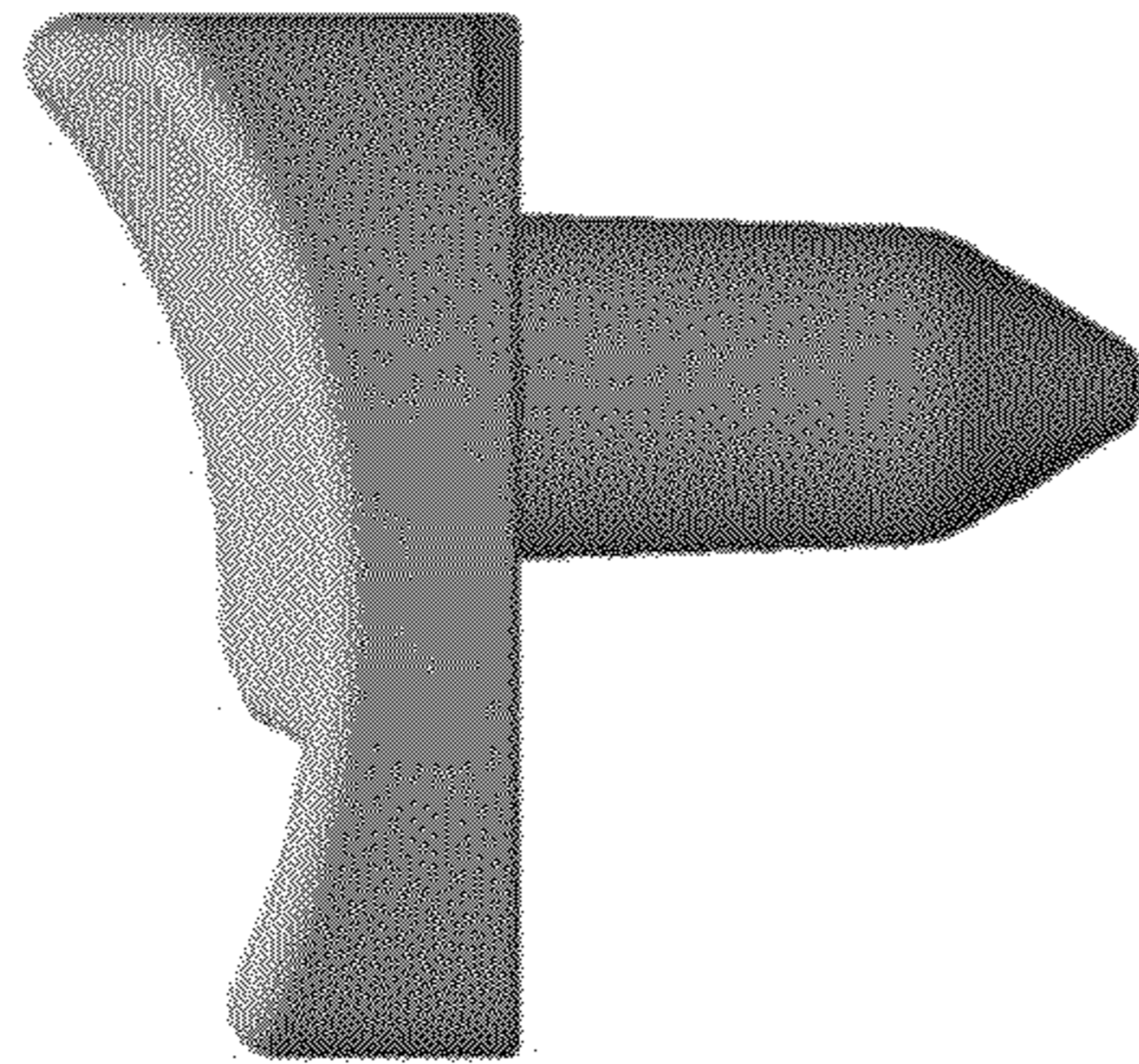


FIG. 27

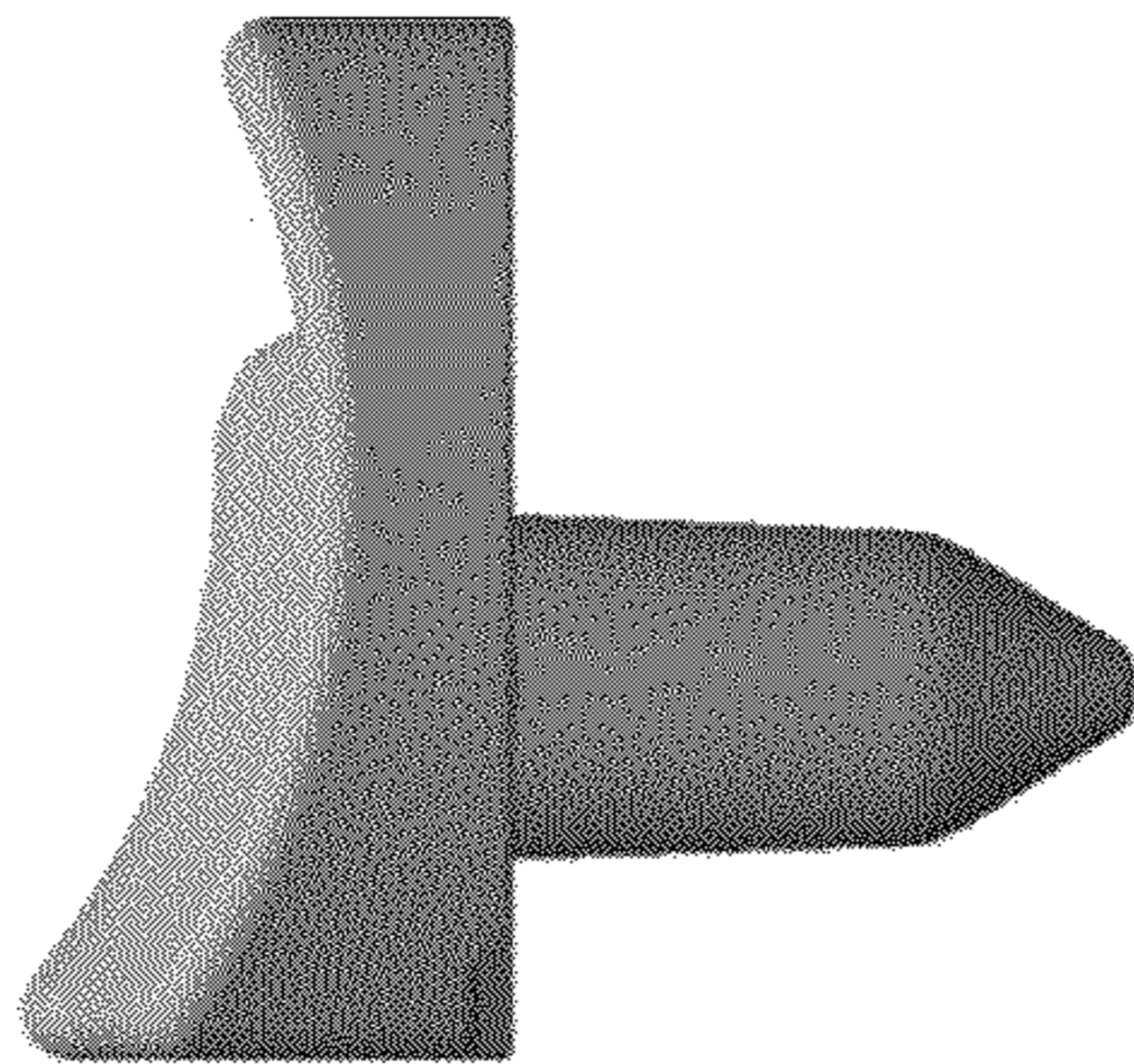


FIG. 28

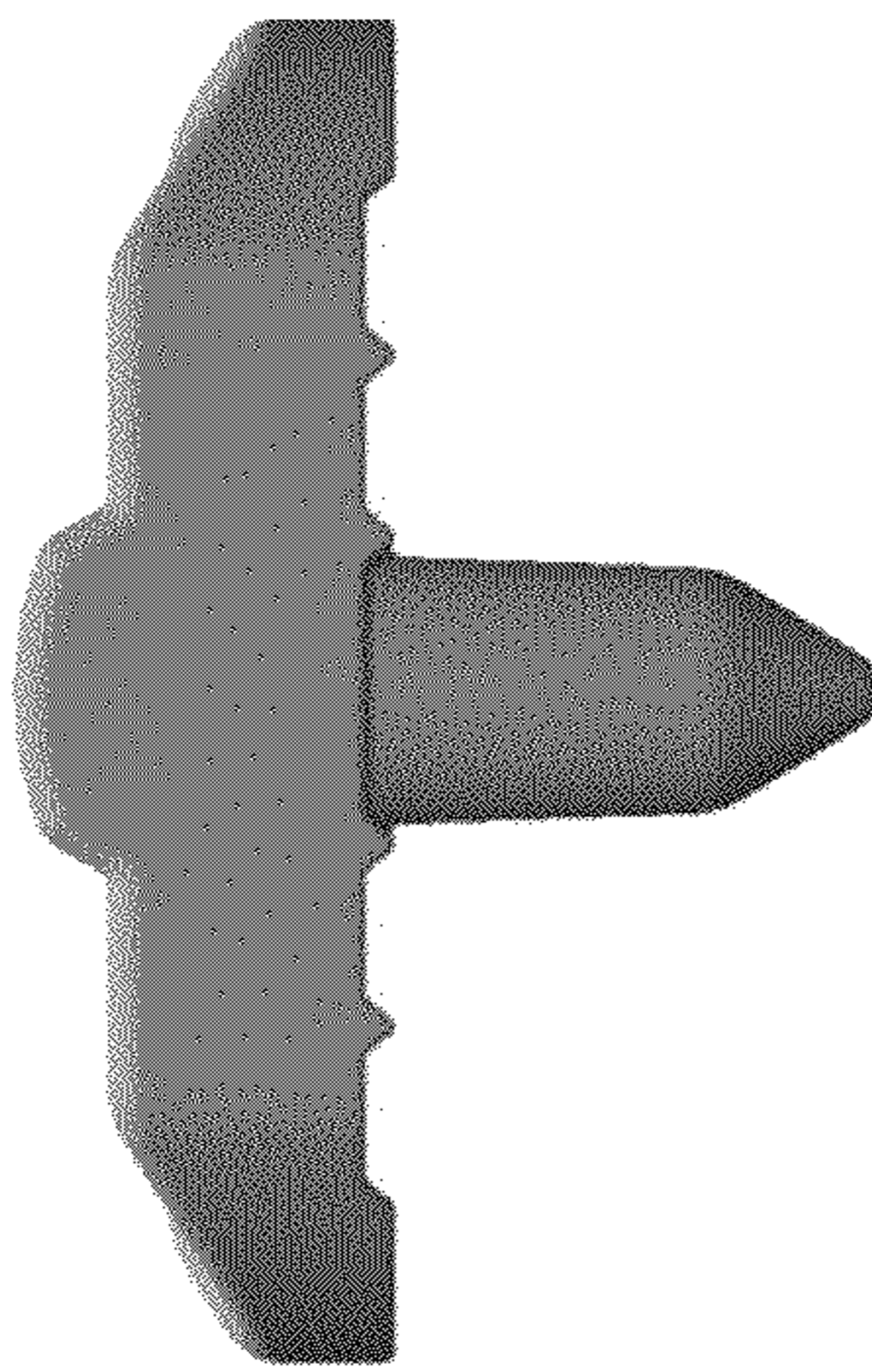


FIG. 29

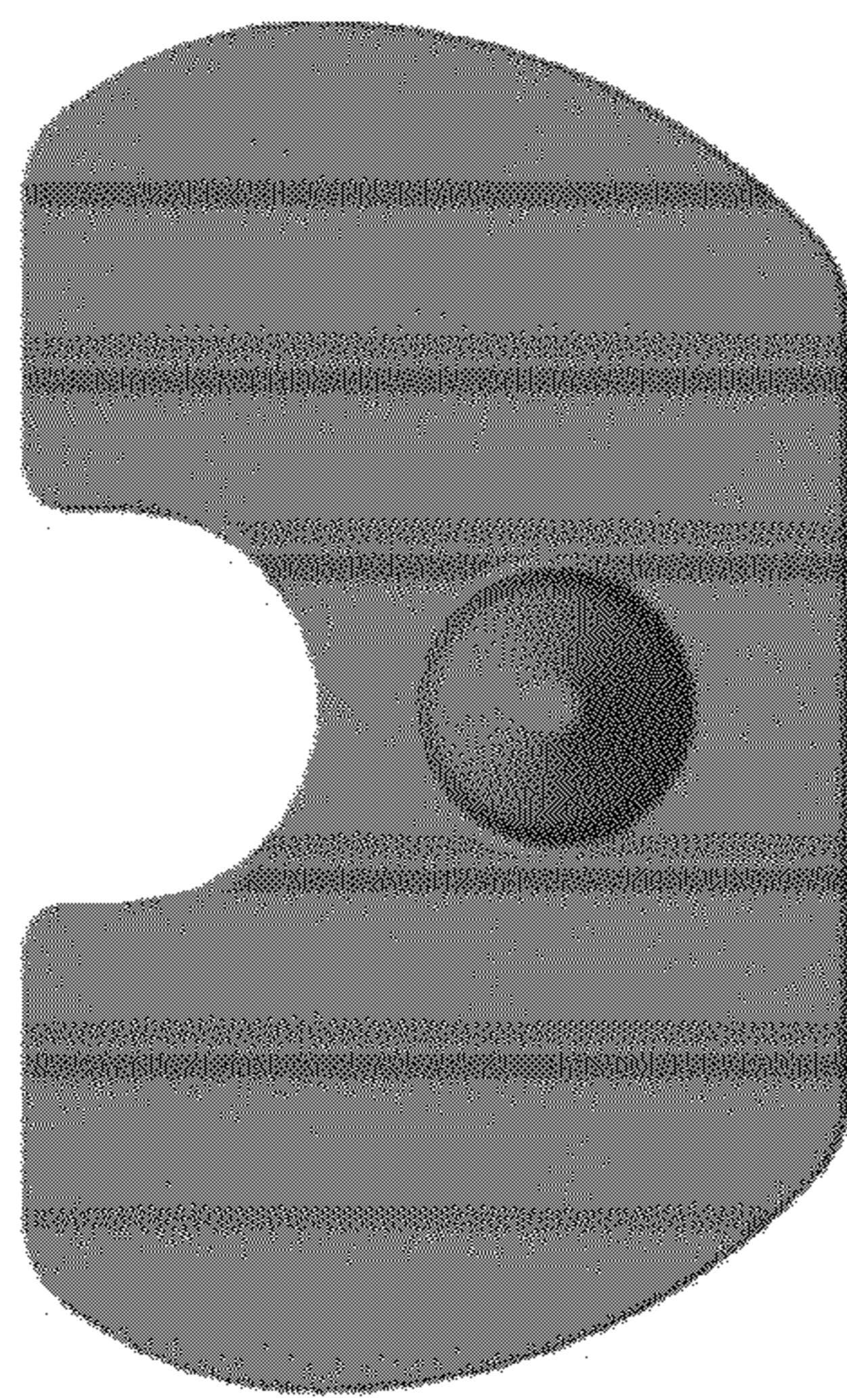


FIG. 30

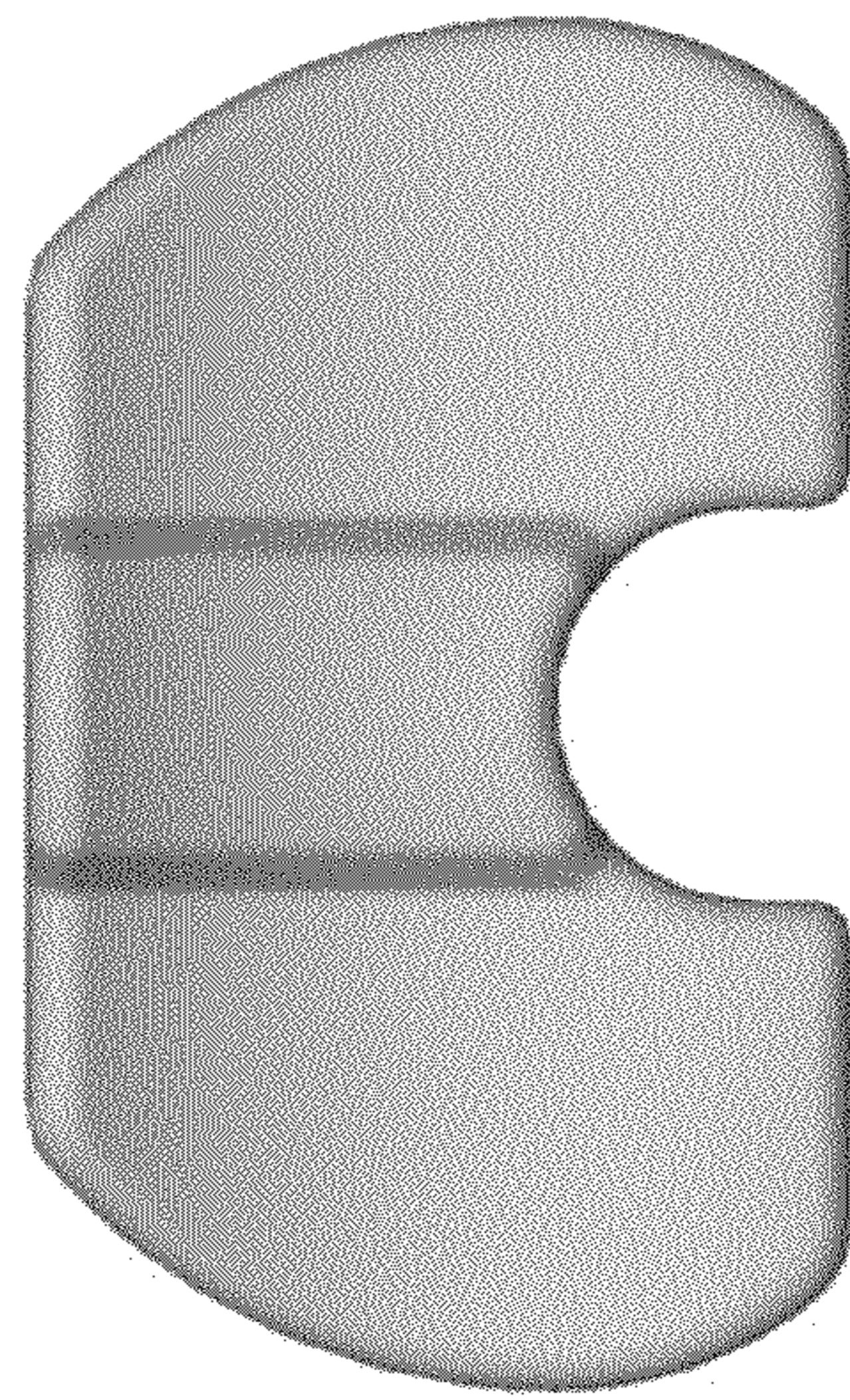


FIG. 31

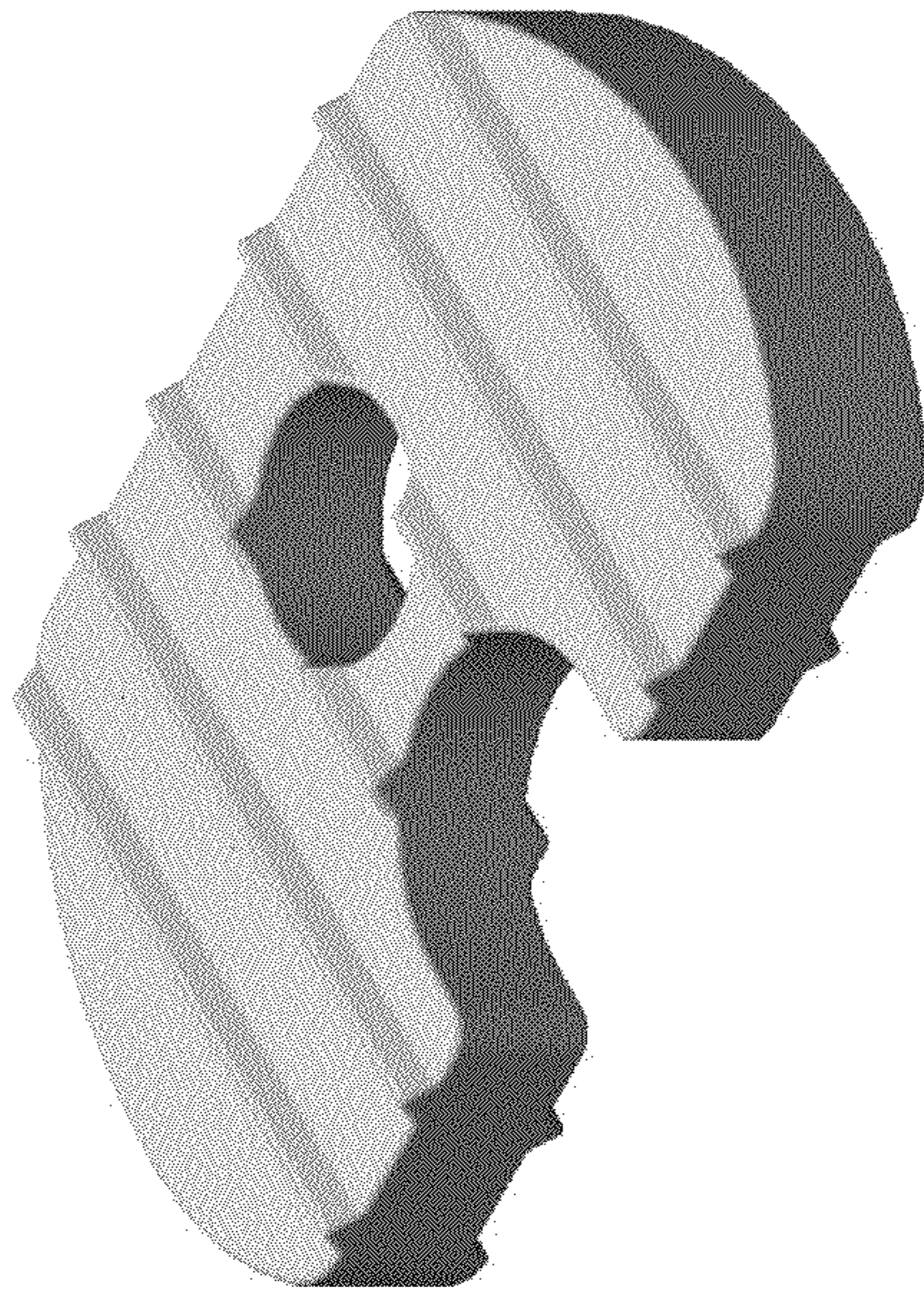


FIG. 32

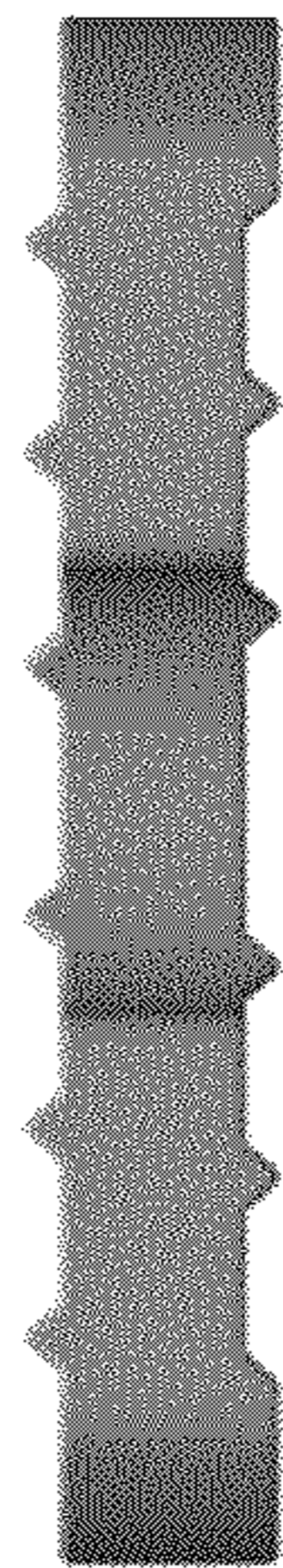


FIG. 33

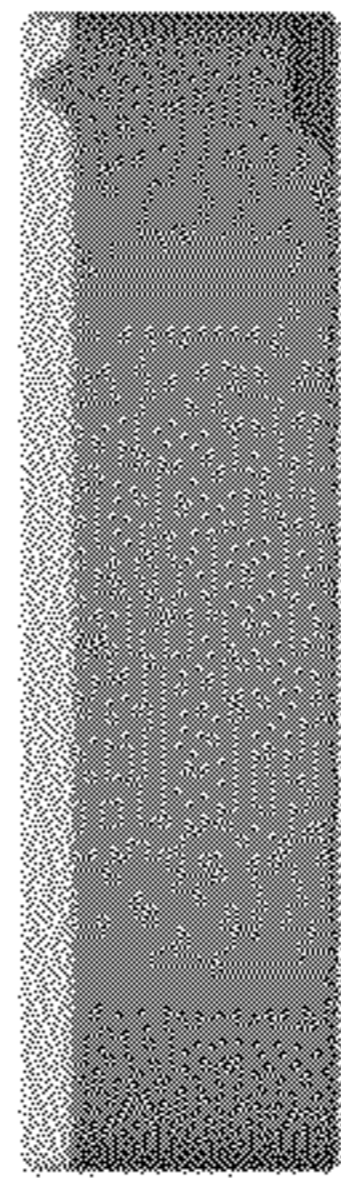


FIG. 34

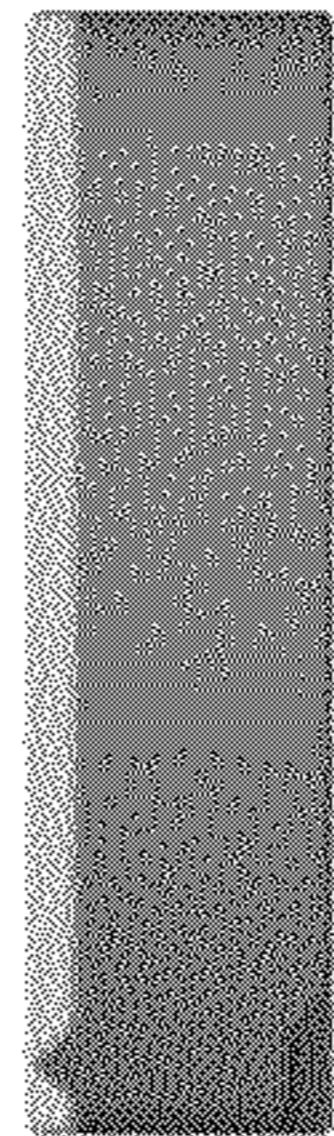


FIG. 35

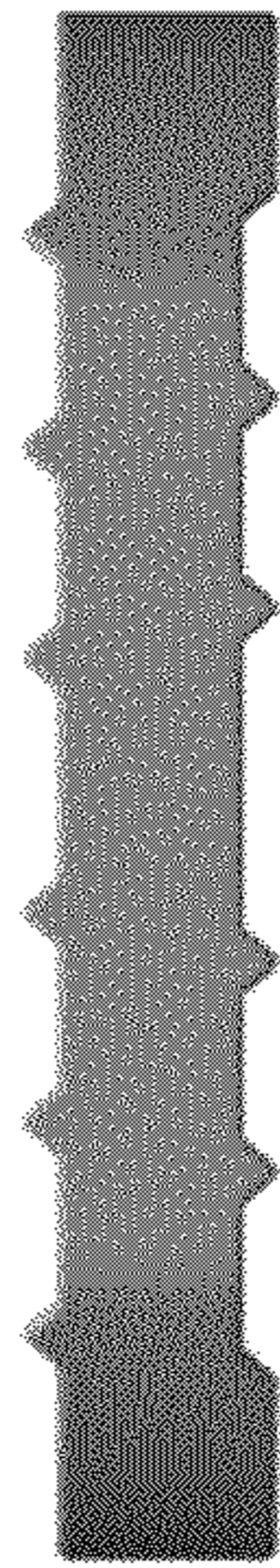


FIG. 36

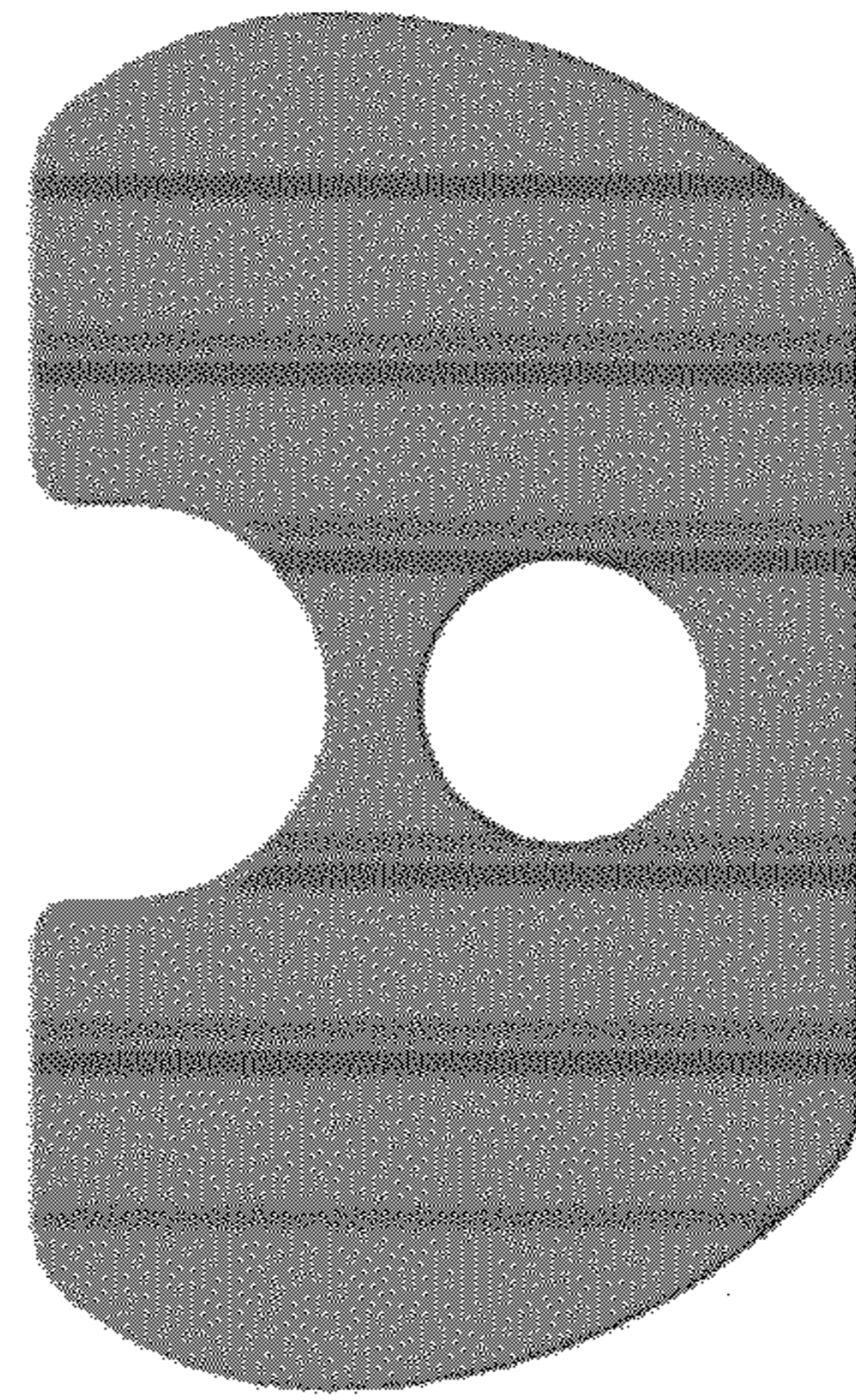


FIG. 37

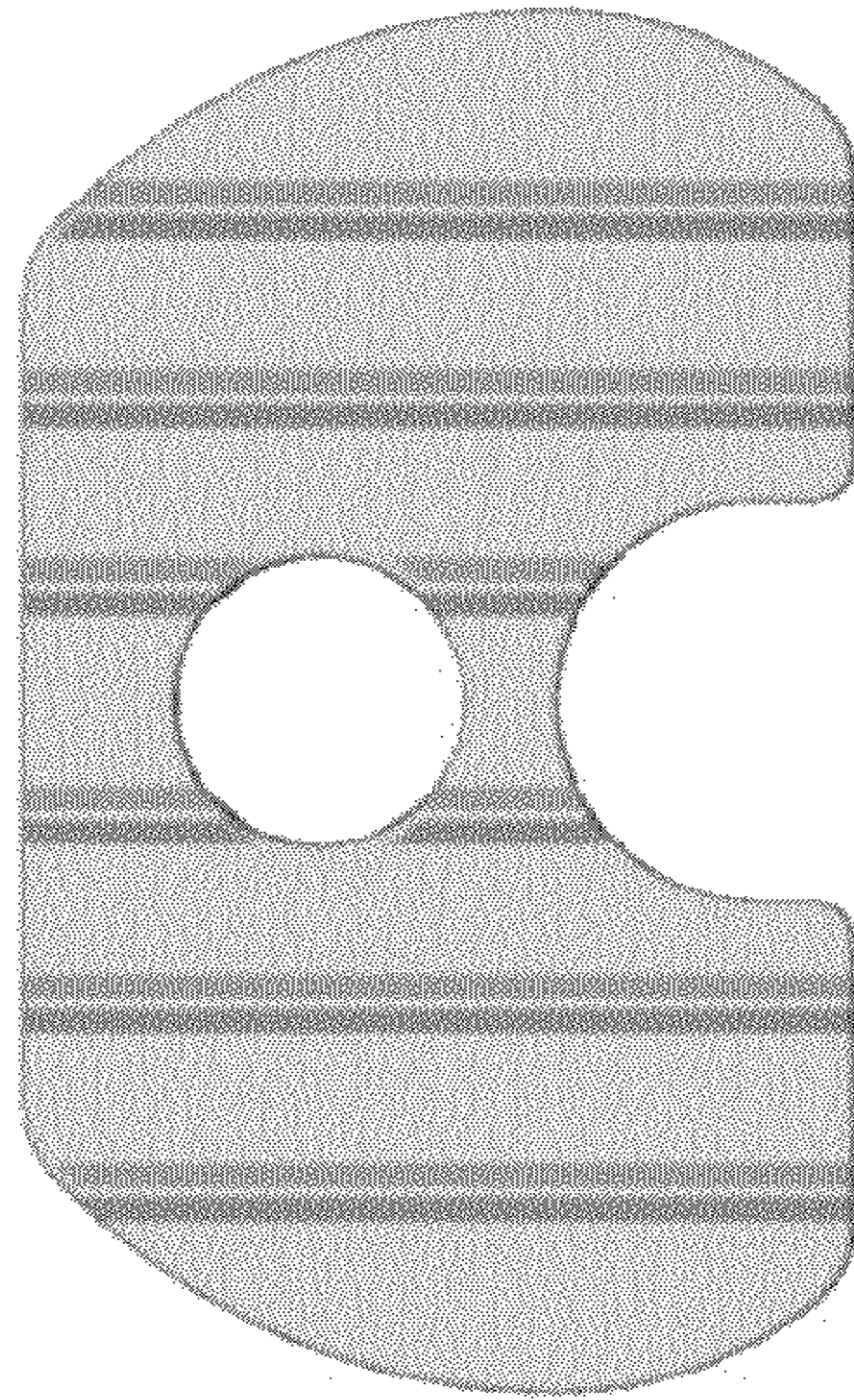


FIG. 38