



US00D721173S

(12) **United States Design Patent**
Nottingham et al.

(10) **Patent No.:** **US D721,173 S**
(45) **Date of Patent:** **** Jan. 13, 2015**

(54) **ILLUMINATED TONGUE DEPRESSOR WITH THERMOMETER**

(71) Applicant: **Ernie Green Industries, Inc.**,
Columbus, OH (US)

(72) Inventors: **John W. Nottingham**, Westlake, OH
(US); **James E. Szpak**, Cleveland
Heights, OH (US)

(73) Assignee: **Ernie Green Industries, Inc.**,
Columbus, OH (US)

(**) Term: **14 Years**

(21) Appl. No.: **29/456,521**

(22) Filed: **May 31, 2013**

(51) **LOC (10) Cl.** **24-02**

(52) **U.S. Cl.**
USPC **D24/136**

(58) **Field of Classification Search**
CPC A61B 17/02; A61B 17/0206; A61B
17/0218; A61B 5/01; G01K 5/22; G01K
13/00; G01K 13/002; G01K 13/004
USPC D24/133, 135, 136, 186; D10/57, 58,
D10/60, 62

See application file for complete search history.

(56) **References Cited**

U.S. PATENT DOCUMENTS

D215,984 S * 11/1969 Fattori D24/136
D242,604 S * 12/1976 Van Kersen D10/57
D283,601 S * 4/1986 Fuller et al. D10/57

4,807,599 A * 2/1989 Robinson et al. 600/212
D305,797 S * 1/1990 Robinson et al. D24/136
D319,503 S * 8/1991 Summers D24/136
D337,158 S * 7/1993 Summers D24/136
D342,998 S * 1/1994 Krug et al. D24/136
5,318,009 A * 6/1994 Robinson 600/241
5,328,213 A 7/1994 Barth
5,960,833 A 10/1999 Der Manuelian
D422,081 S * 3/2000 Wolff D24/136
6,264,121 B1 7/2001 McClary
6,767,001 B2 7/2004 Anderson
7,581,700 B2 9/2009 Carns et al.
7,677,607 B2 3/2010 Densel
2004/0109491 A1* 6/2004 Chen 374/163
2007/0025416 A1* 2/2007 Chen 374/163
2012/0149992 A1* 6/2012 Duggal et al. 600/245

* cited by examiner

Primary Examiner — Bridget L Eland

(74) *Attorney, Agent, or Firm* — Dinsmore & Shohl LLP

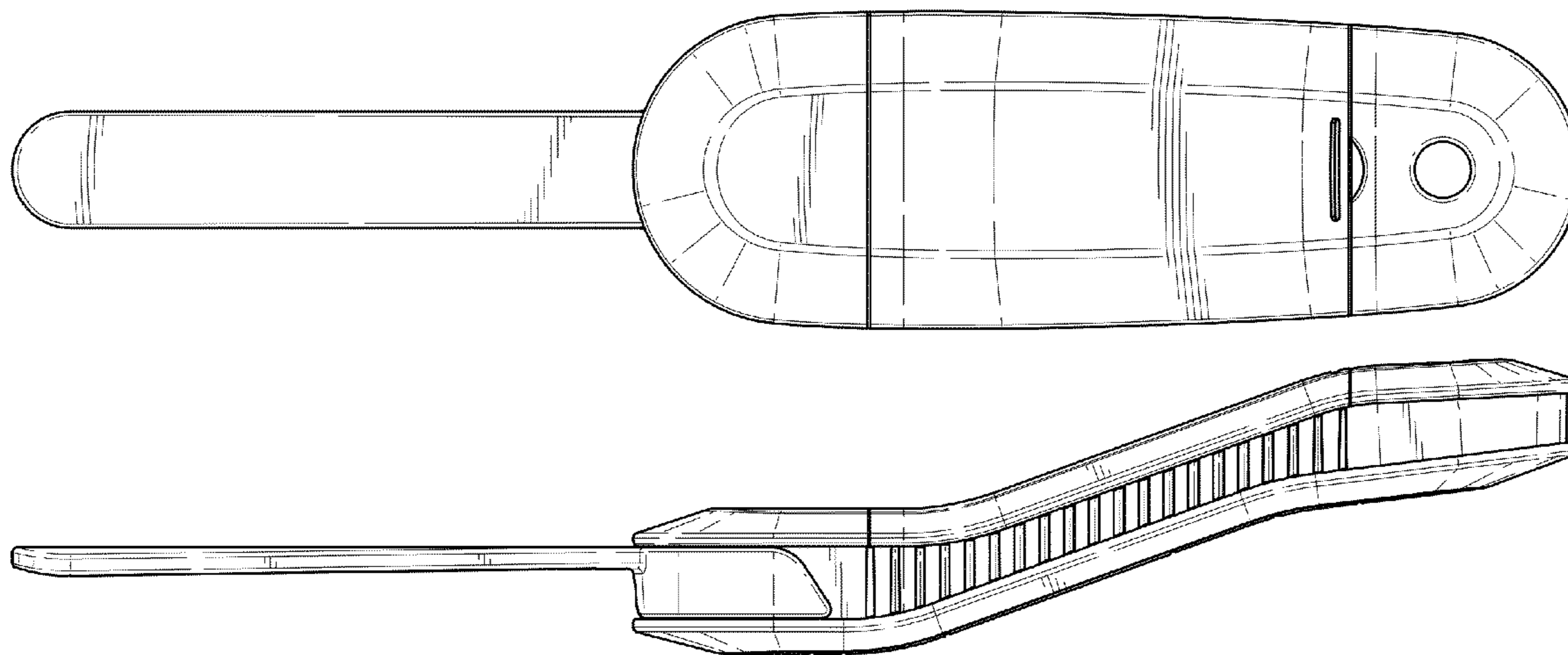
(57) **CLAIM**

The ornamental design for an illuminated tongue depressor with thermometer, as shown and described.

DESCRIPTION

FIG. 1 is a perspective view of an illuminated tongue depressor with thermometer showing our new design; FIG. 2 is a bottom view of the design of FIG. 1; FIG. 3 is a right side view of the design of FIG. 1, where the left side view is a mirror image; FIG. 4 is a top view of the design of FIG. 1; FIG. 5 is a rear view of the design of FIG. 1; and, FIG. 6 is a front view of the design of FIG. 1.

1 Claim, 3 Drawing Sheets



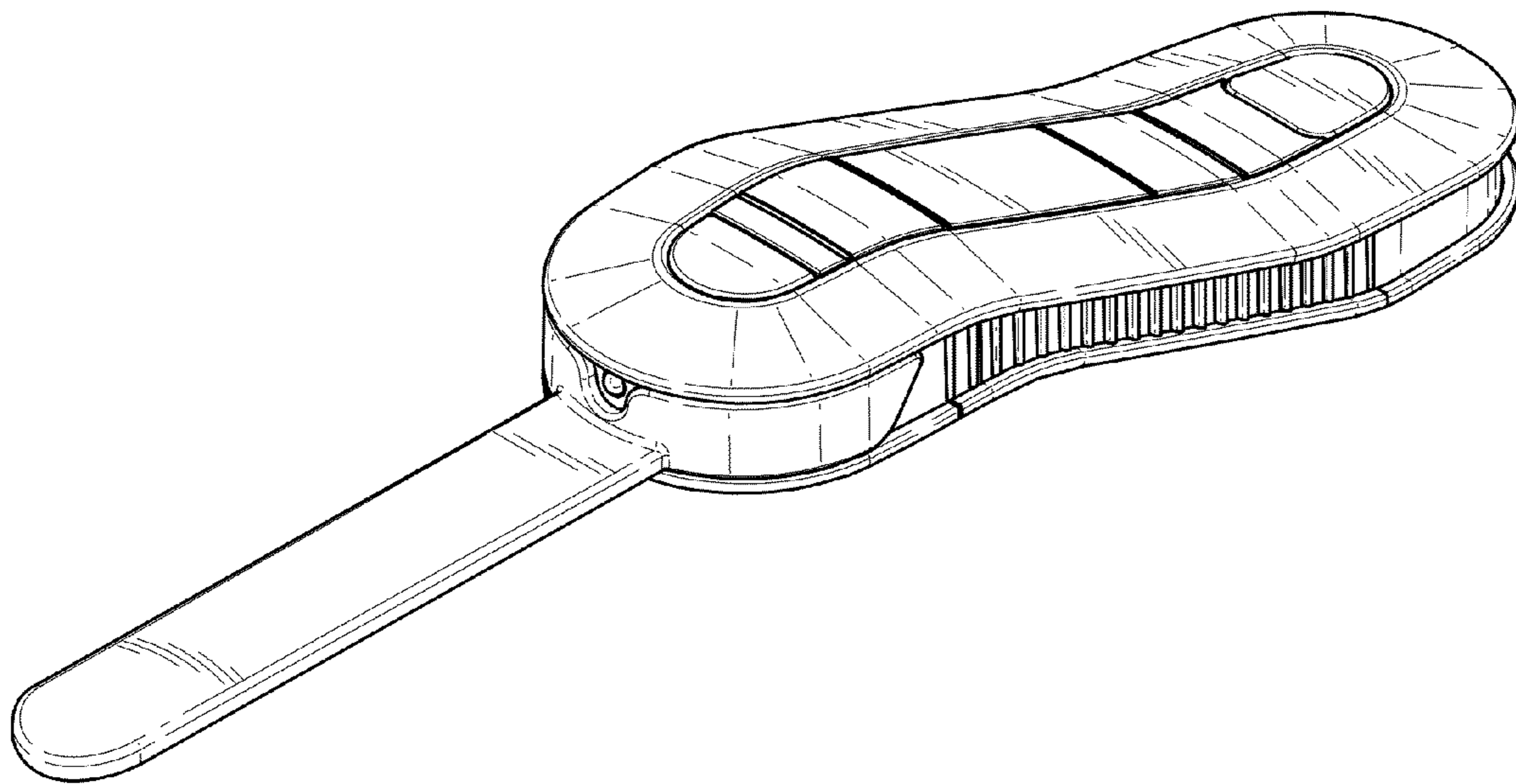


FIG. 1

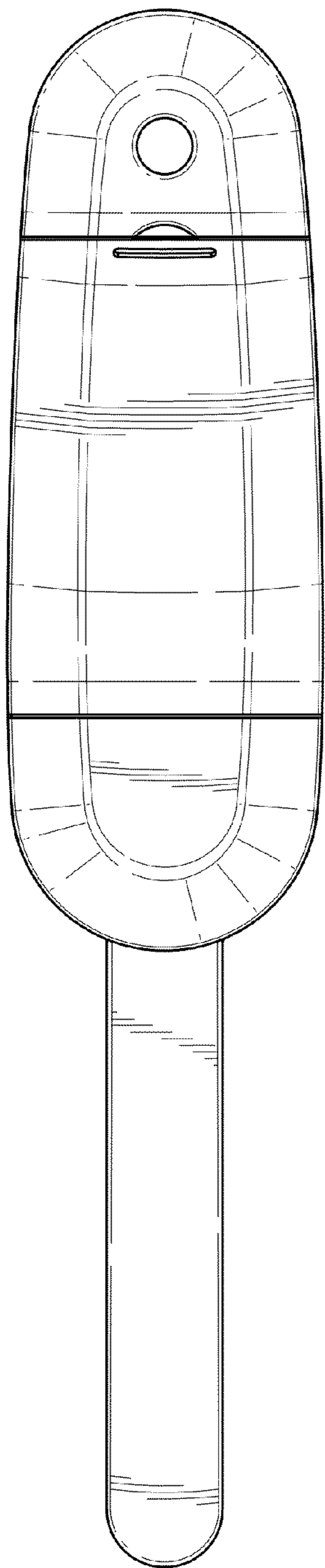


FIG. 2

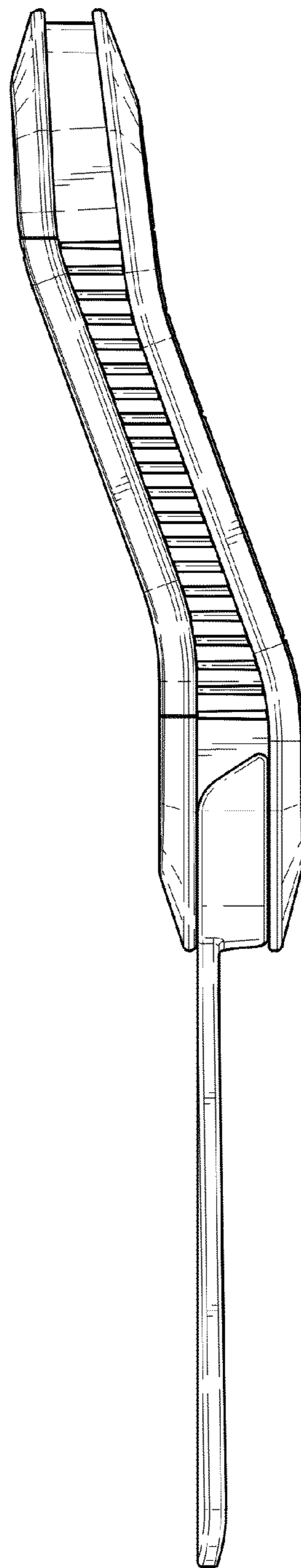


FIG. 3

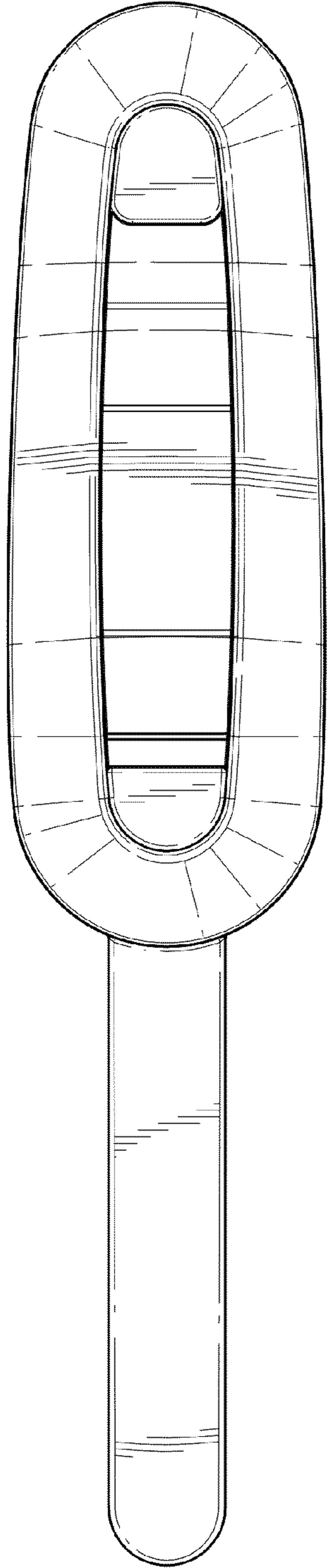


FIG. 4

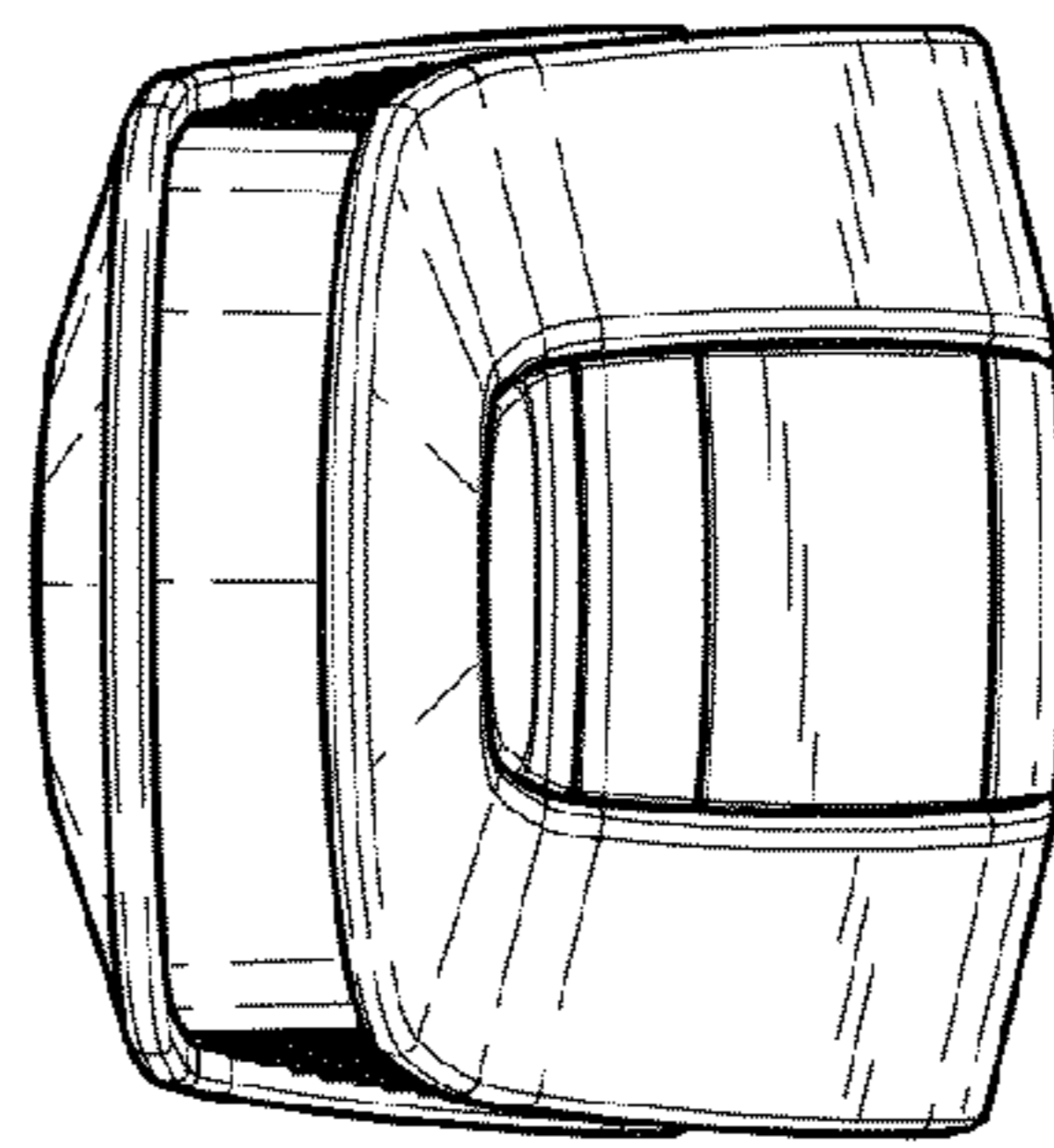


FIG. 5

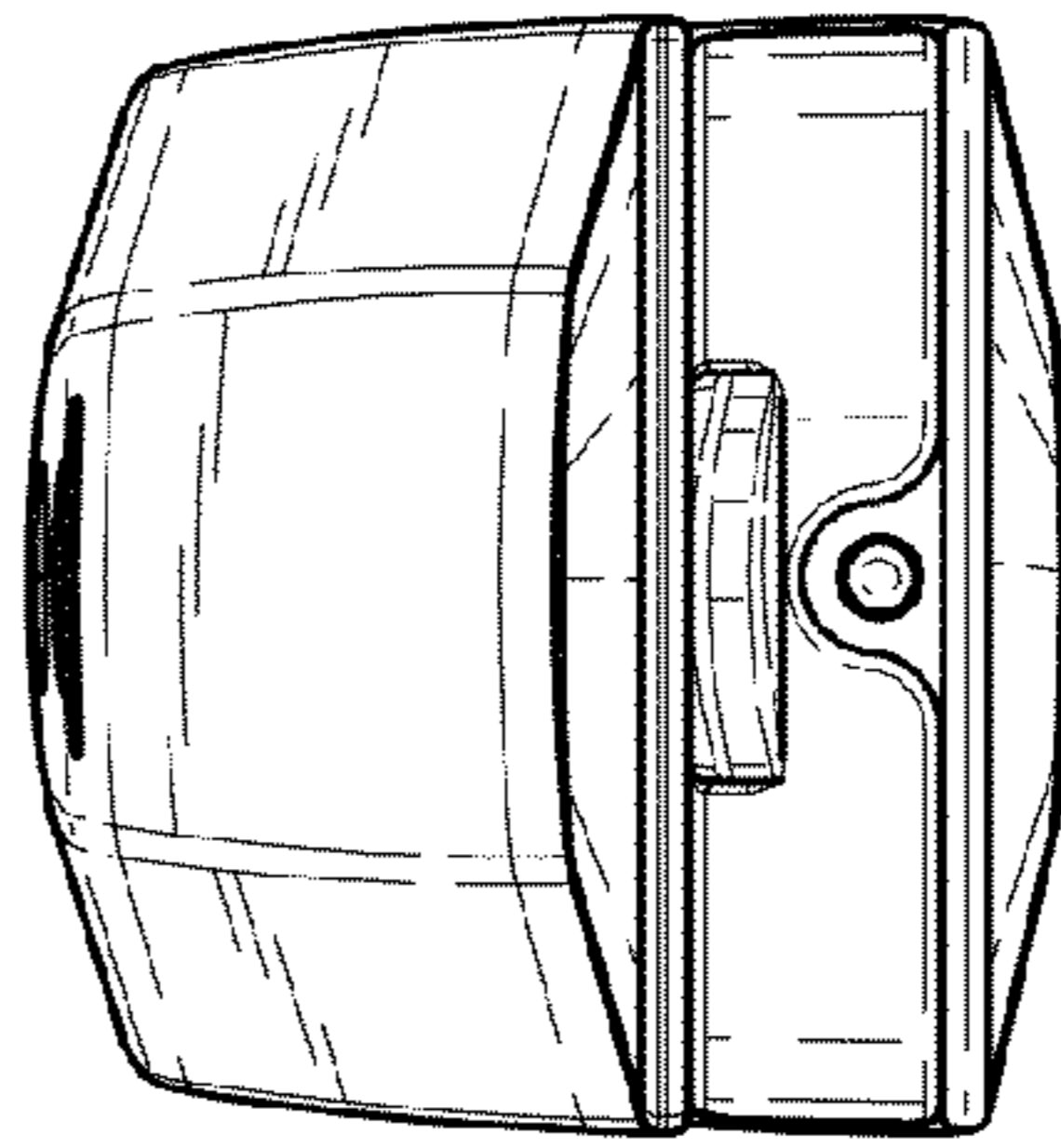


FIG. 6