



US00D721171S

(12) **United States Design Patent**
Murai

(10) **Patent No.:** **US D721,171 S**
(45) **Date of Patent:** **** Jan. 13, 2015**

(54) **INDWELLING NEEDLE**
(71) Applicant: **Nipro Corporation**, Osaka (JP)
(72) Inventor: **Koichi Murai**, Osaka (JP)
(73) Assignee: **Nipro Corporation**, Osaka (JP)
(**) Term: **14 Years**

(21) Appl. No.: **29/459,687**
(22) Filed: **Jul. 2, 2013**

(30) **Foreign Application Priority Data**
Jan. 7, 2013 (JP) D2013-000076

(51) **LOC (10) Cl.** **24-02**
(52) **U.S. Cl.**
USPC **D24/130**

(58) **Field of Classification Search**
USPC D24/112–114, 129, 130, 127, 133, 186,
D24/108; 606/181, 185; 604/264, 500, 506,
604/272, 115, 164.01–164.09, 533, 232,
604/187, 168.01, 192, 19, 48, 93.01, 523,
604/524, 526; 600/101, 139, 143;
128/200.24, 207.14, 207.15
See application file for complete search history.

(56) **References Cited**
U.S. PATENT DOCUMENTS
D257,885 S * 1/1981 Kulle D24/112
4,326,519 A * 4/1982 D’Alo et al. 604/165.04
D283,921 S * 5/1986 Dyak D24/114
5,433,703 A * 7/1995 Utterberg et al. 604/513
D451,998 S * 12/2001 Crawford et al. D24/112

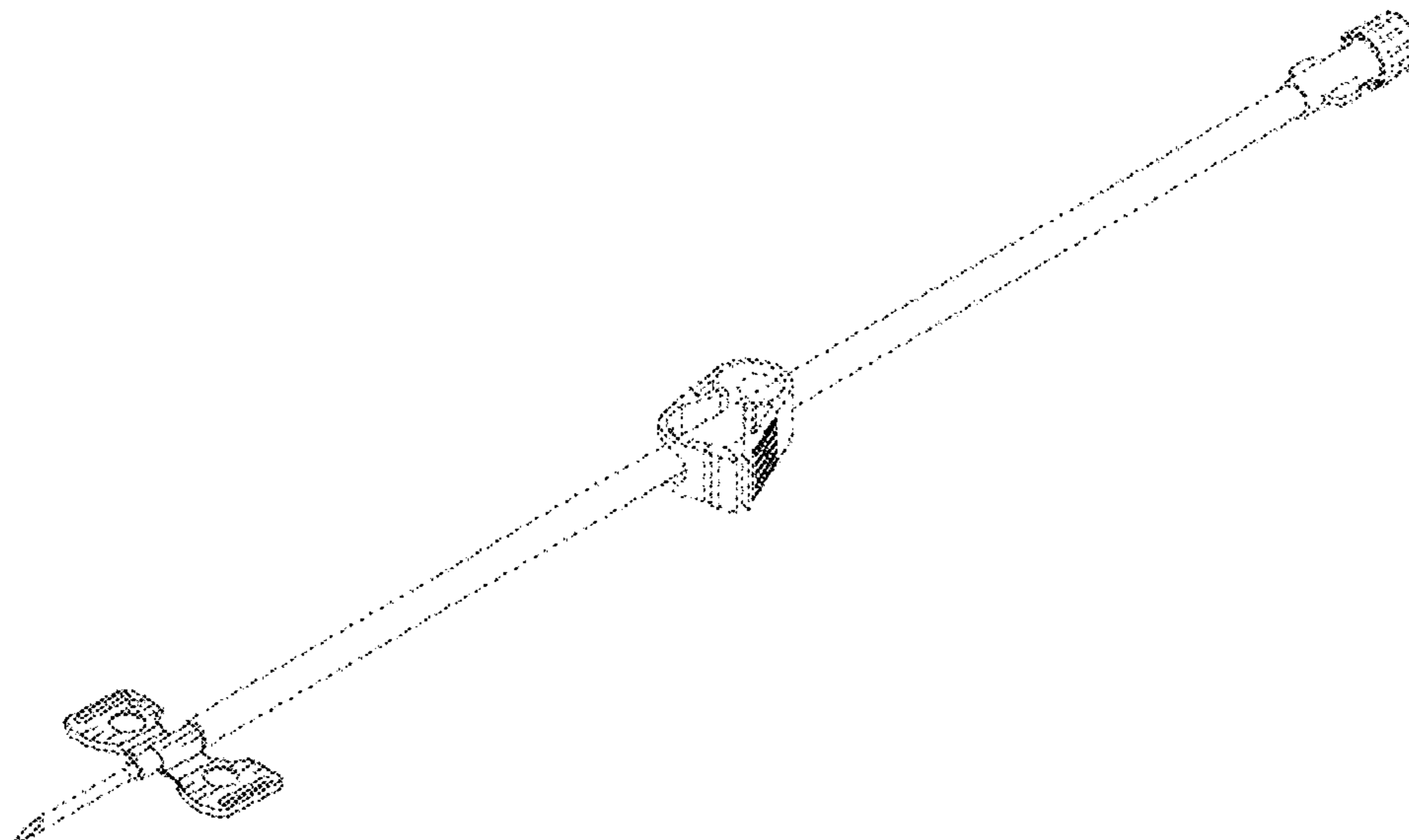
D451,999 S * 12/2001 Crawford et al. D24/112
D469,529 S * 1/2003 Niermann et al. D24/130
7,803,138 B2 * 9/2010 Bressler et al. 604/192
7,972,309 B2 * 7/2011 Crawford 604/164.01
8,251,973 B2 * 8/2012 Schnell 604/500
D678,513 S * 3/2013 Baid D24/112
D686,316 S * 7/2013 Baid D24/112
D687,547 S * 8/2013 Wang D24/130

* cited by examiner
Primary Examiner — David Muller
(74) *Attorney, Agent, or Firm* — Birch, Stewart, Kolasch & Birch, LLP

(57) **CLAIM**
The ornamental design for an indwelling needle, as shown and described.

DESCRIPTION
FIG. 1 is a perspective view of an indwelling needle;
FIG. 2 is a front view thereof;
FIG. 3 is a rear view thereof;
FIG. 4 is an enlarged left side view thereof;
FIG. 5 is an enlarged right side view thereof;
FIG. 6 is a top view thereof;
FIG. 7 is a bottom view thereof;
FIG. 8 is an enlarged front view of wing part thereof;
FIG. 9 is an enlarged rear view of wing part thereof;
FIG. 10 is an enlarged top view of wing part thereof; and,
FIG. 11 is an enlarged bottom view of wing part thereof.
The portion shown by broken lines is for illustrative purposes only and forms no part of the claimed design.

1 Claim, 5 Drawing Sheets



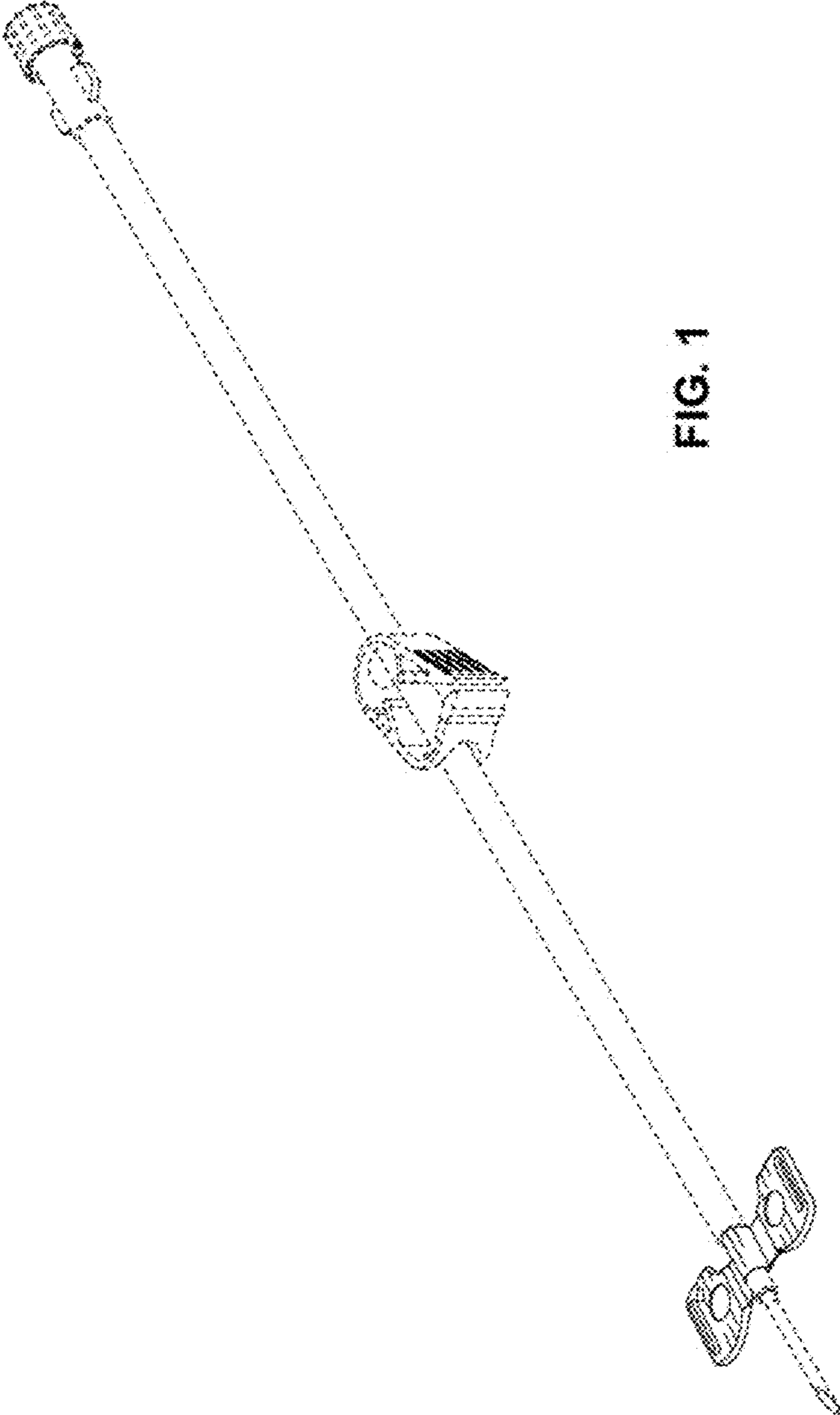


FIG. 1

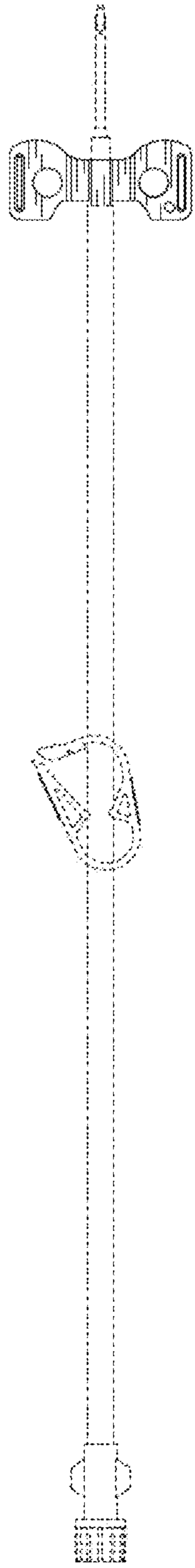


FIG. 2

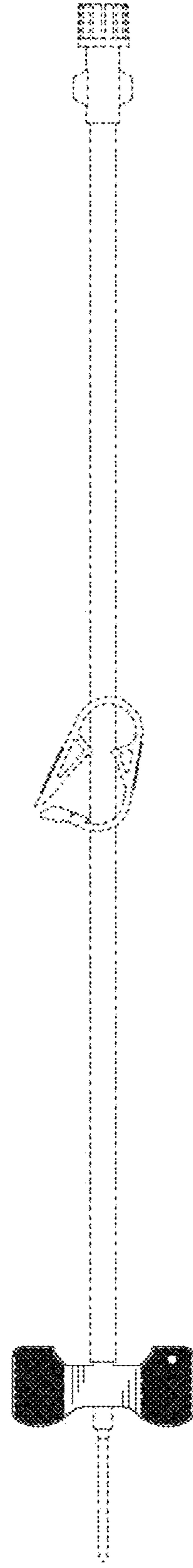


FIG. 3

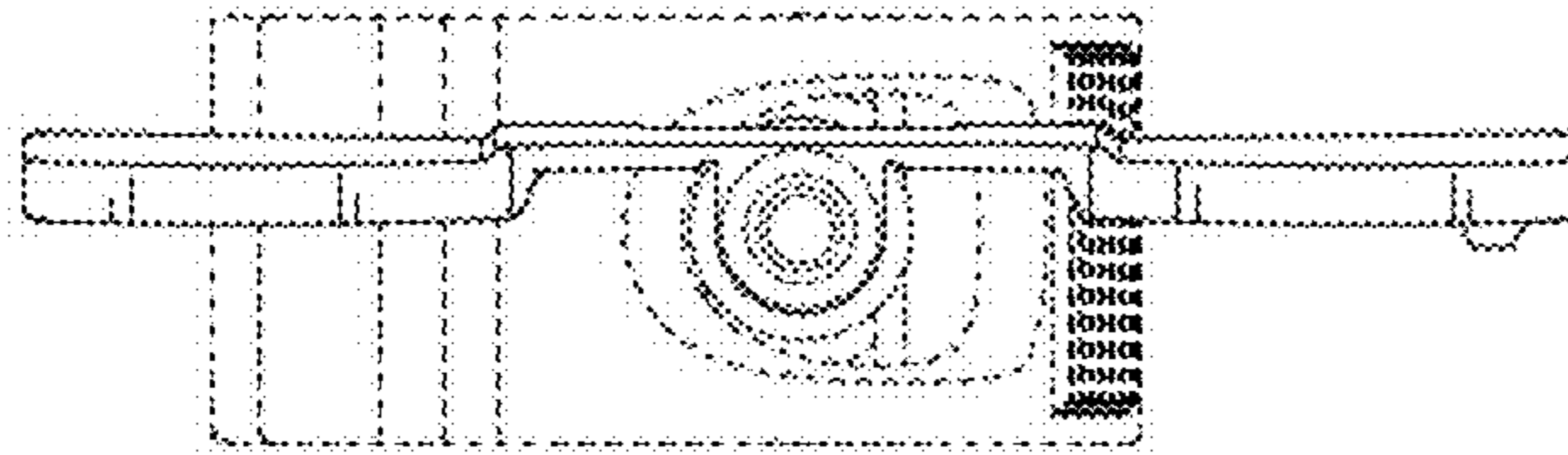


FIG. 5

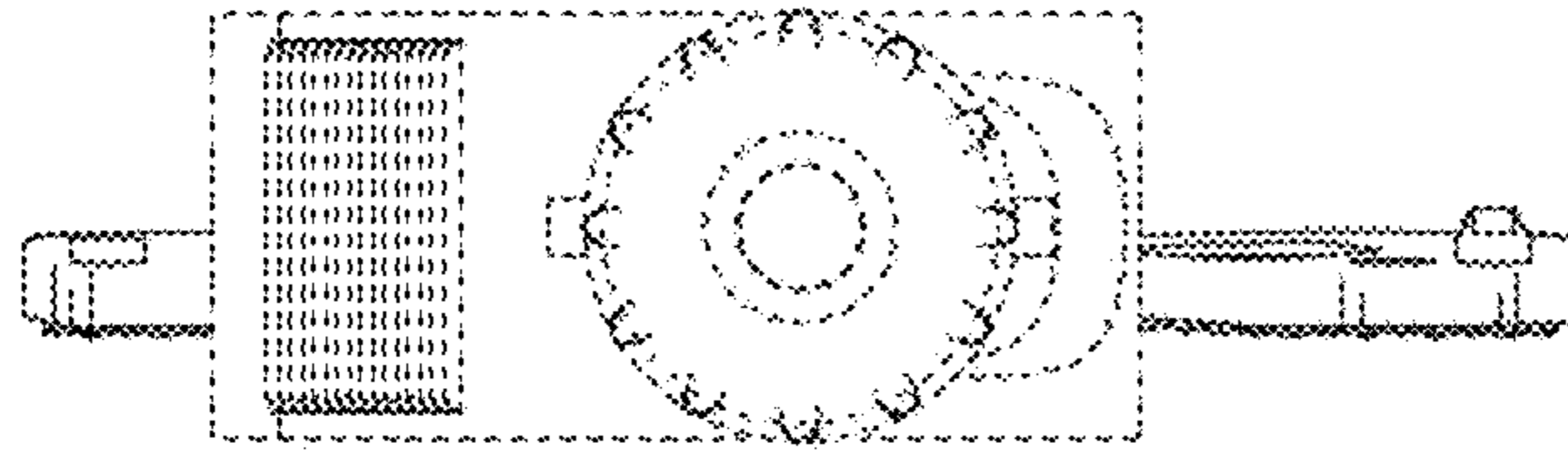


FIG. 4



FIG. 6



FIG. 7

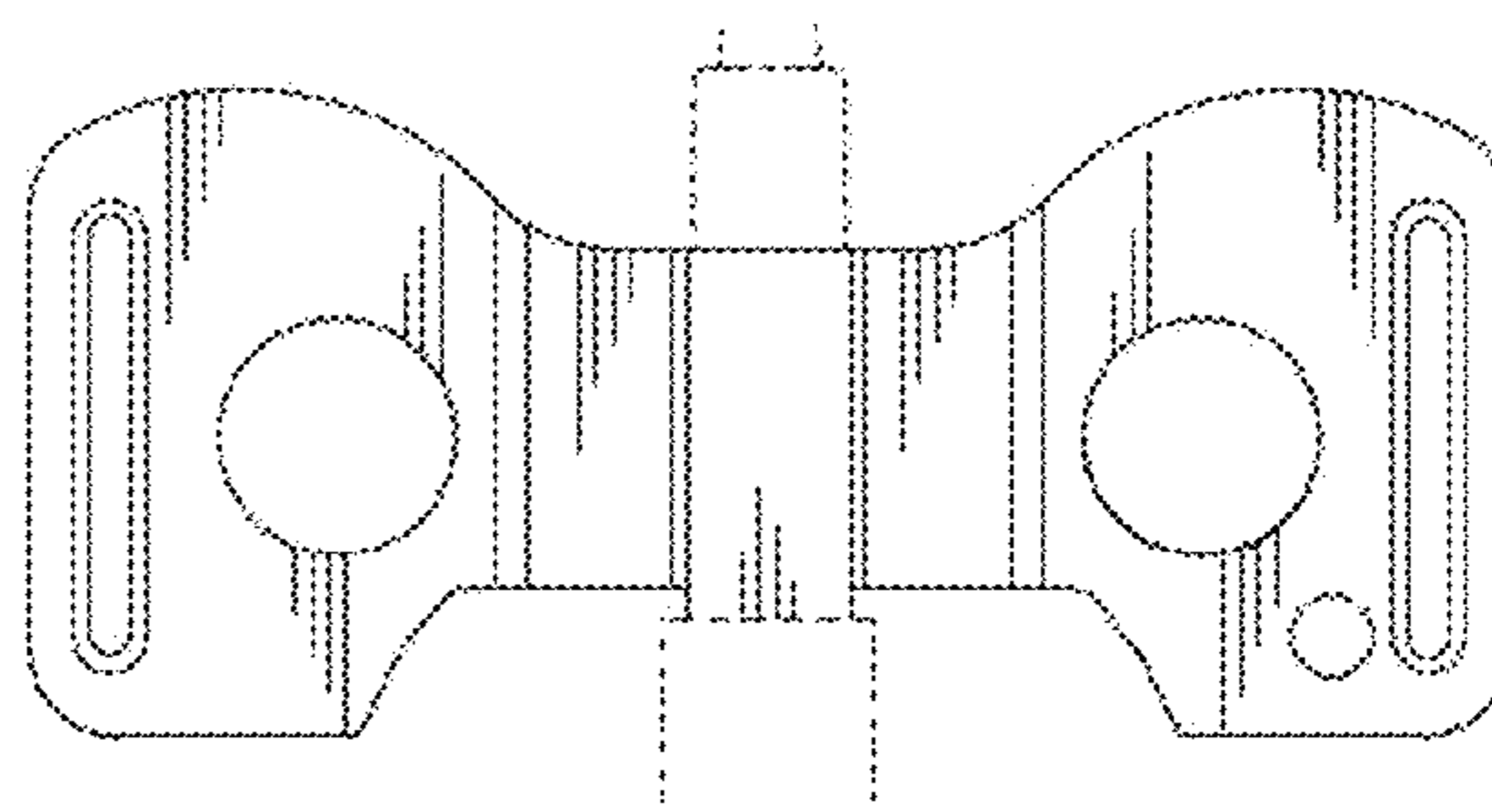


FIG. 8

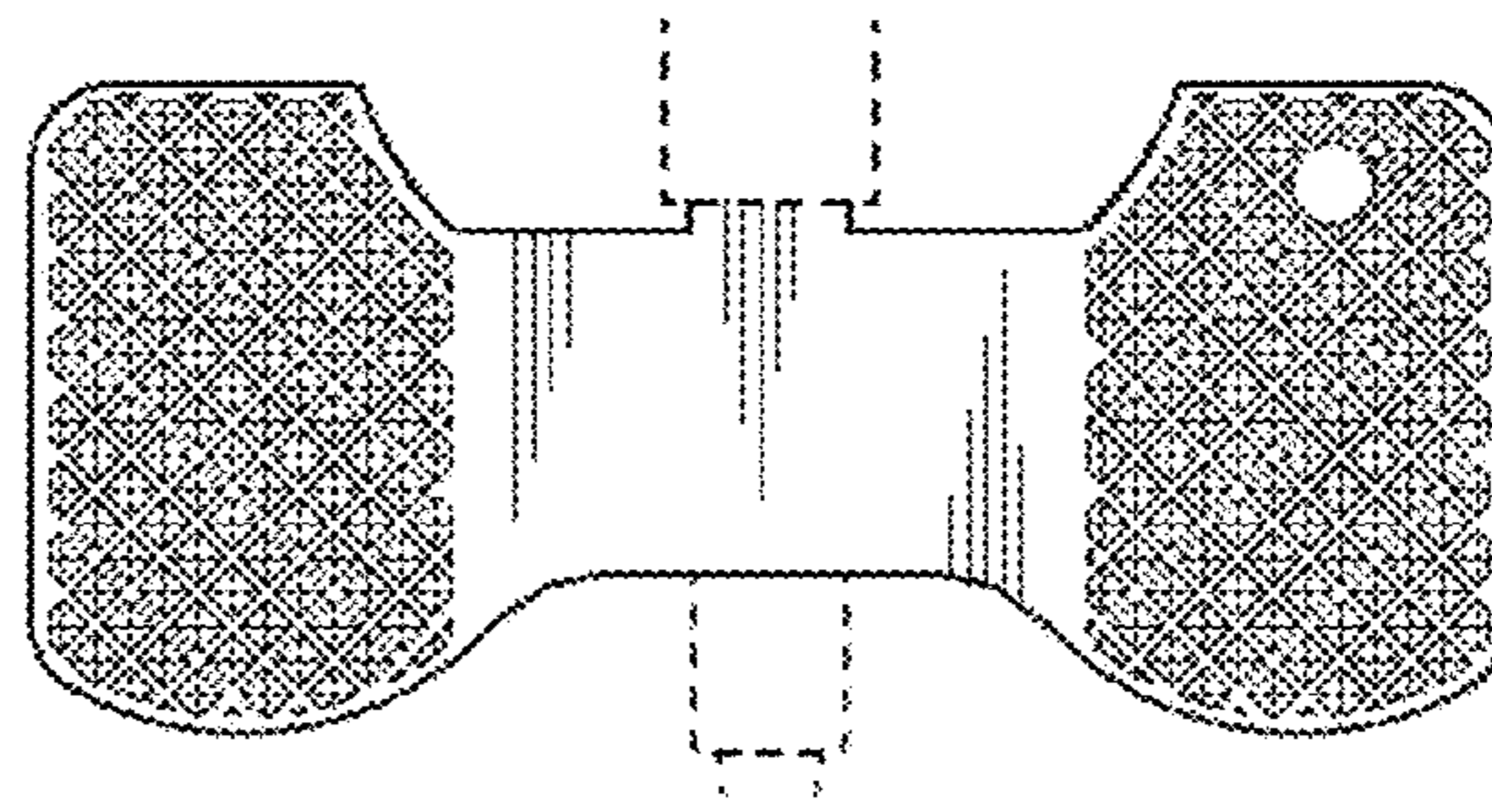


FIG. 9

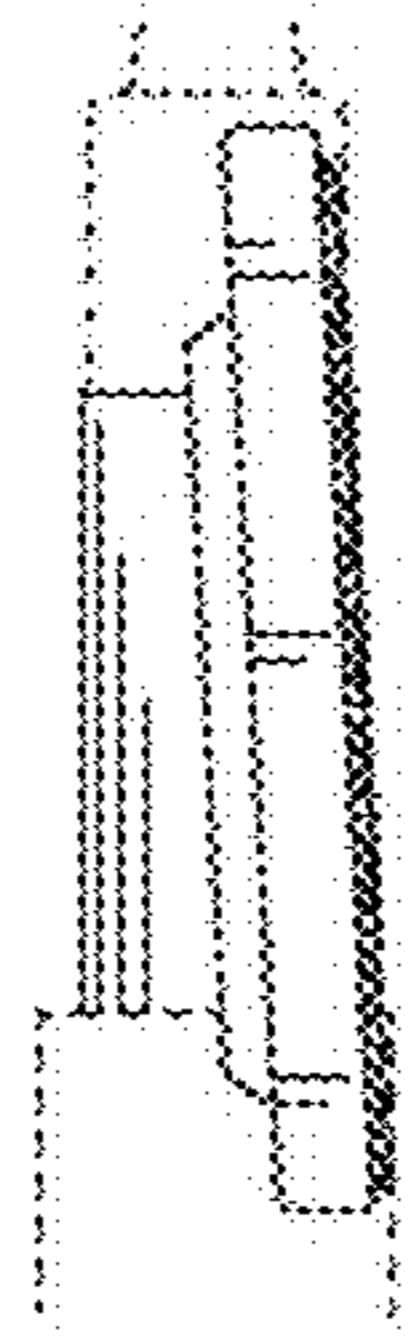


FIG. 11

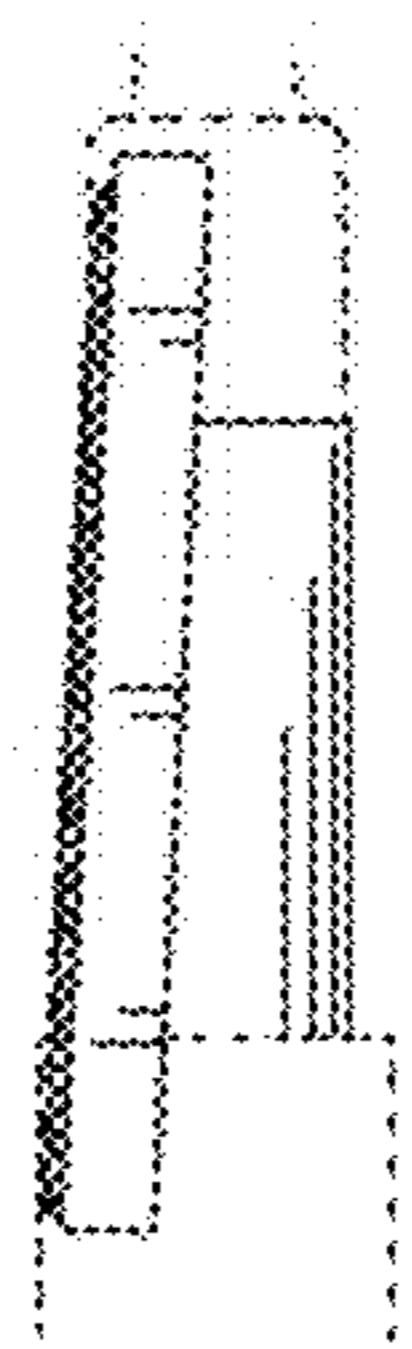


FIG. 10