



US00D721169S

(12) **United States Design Patent**
Moon et al.

(10) **Patent No.:** **US D721,169 S**
(45) **Date of Patent:** **** Jan. 13, 2015**

(54) **RESPIRATOR GRILL RIBS**
(75) Inventors: **JungChul Moon**, Seoul (KR);
Young-Jun Kim, Seoul (KR);
HyoungSun Park, Seoul (KR);
Kangsoo Park, Osan (KR)

D678,508 S * 3/2013 Choi et al. D24/110.1
D703,806 S * 4/2014 Hu et al. D24/110
2002/0078953 A1 * 6/2002 Fecteau et al. 128/202.27
2004/0055604 A1 * 3/2004 Viner et al. 128/206.16
2005/0211251 A1 * 9/2005 Henderson et al. 128/206.27
2011/0094515 A1 * 4/2011 Duffy 128/206.19

(Continued)

(73) Assignee: **3M Innovative Properties Company**,
St. Paul, MN (US)

FOREIGN PATENT DOCUMENTS

(**) Term: **14 Years**

EM 000881008-0001 3/2008
EM D881008 3/2008
EP 0 025 8508 3/1991

(21) Appl. No.: **29/423,380**

(Continued)

(22) Filed: **May 31, 2012**

OTHER PUBLICATIONS

(51) **LOC (10) Cl.** **29-02**

3M product literature for 3M™ 3000 Half Mask Series Respirator dated 2009.

(52) **U.S. Cl.**

(Continued)

CPC **A62B 18/02** (2013.01)

USPC **D24/110.1**

(58) **Field of Classification Search**

CPC A62B 18/00–18/10

USPC D24/110–110.2; 128/206.12–206.27,

128/207.11

See application file for complete search history.

Primary Examiner — Richard E Chilcot

(74) *Attorney, Agent, or Firm* — Craig A. Deutsch

(56) **References Cited**

(57) **CLAIM**

The ornamental design for respirator grill ribs, as shown and described.

U.S. PATENT DOCUMENTS

DESCRIPTION

2,706,983 A * 4/1955 Matheson et al. 128/206.24
4,592,350 A 6/1986 Maryyanek
D286,213 S * 10/1986 Maryyanek et al. D24/110.1
D326,540 S * 5/1992 Scholey D24/110.1
5,505,197 A * 4/1996 Scholey 128/206.17
D396,283 S * 7/1998 Scholey D24/110.5
D434,493 S * 11/2000 Fecteau et al. D24/110.1
6,161,540 A 12/2000 Fecteau
D440,301 S * 4/2001 Fecteau et al. D24/110.1
D504,992 S * 5/2005 Taylor D2/639
D518,571 S * 4/2006 Martin D24/110.1
7,237,550 B1 7/2007 Lin
D613,851 S * 4/2010 Pilgrim et al. D24/110.1
7,971,405 B2 7/2011 Hansen
D657,843 S * 4/2012 Lipscomb et al. D23/209
D677,780 S * 3/2013 Choi et al. D24/110.1

FIG. 1 is a front perspective view showing the new design for respirator grill ribs.

FIG. 2 is a left view thereof;

FIG. 3 is a right view thereof;

FIG. 4 is a front view thereof;

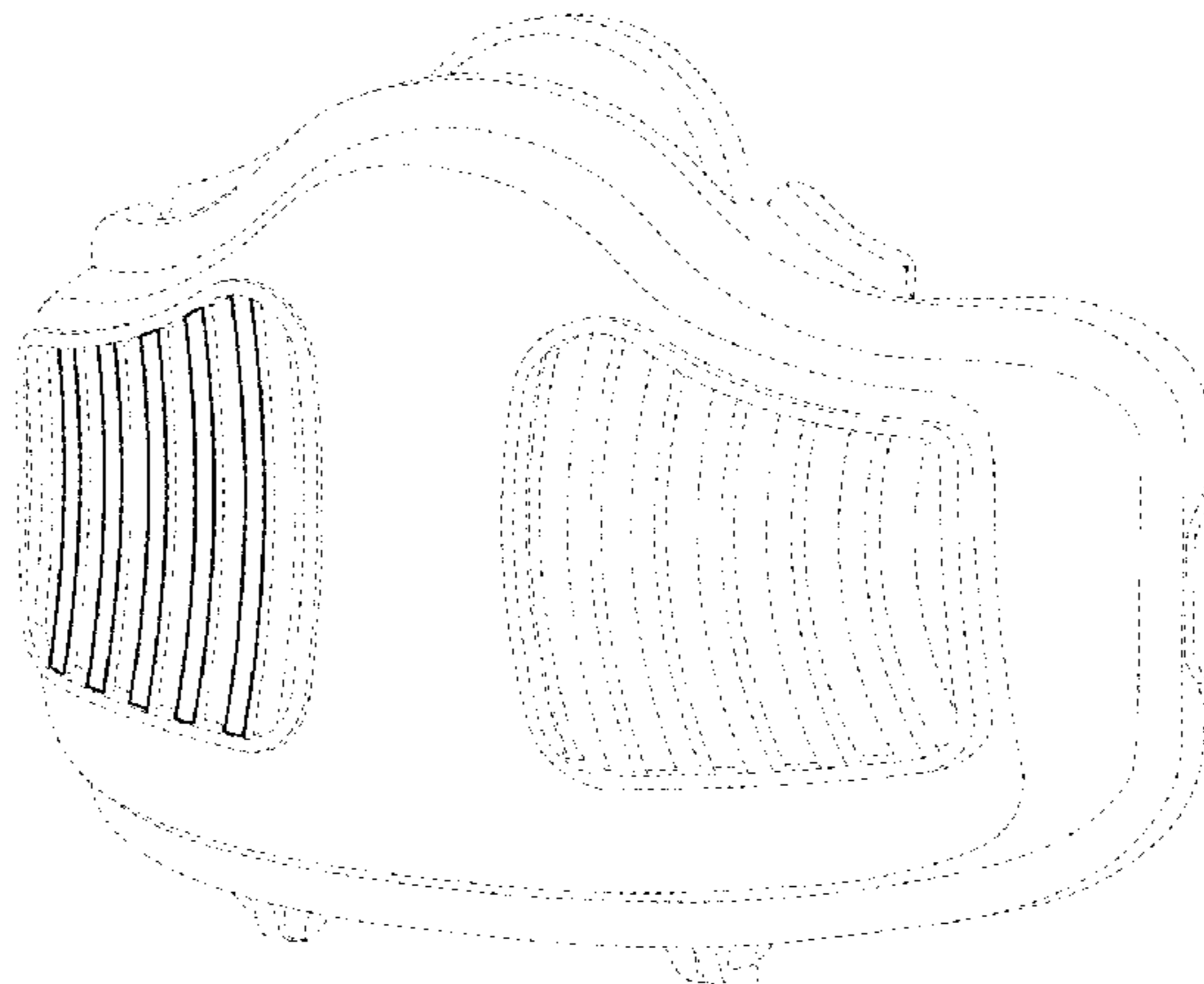
FIG. 5 is a back view thereof;

FIG. 6 is a top view thereof; and,

FIG. 7 is a bottom view thereof.

Broken lines form no part of the claimed design, and any shading is provided to illustrate contour only and is not an indication of texture, gloss, etc.

1 Claim, 3 Drawing Sheets



(56)

References Cited

U.S. PATENT DOCUMENTS

2012/0125342 A1* 5/2012 Gebrewold et al. 128/206.12
2012/0260920 A1* 10/2012 Choi et al. 128/206.12

FOREIGN PATENT DOCUMENTS

EP	0 269 589	9/1991
JP	08038631	2/1996
JP	2006122146	5/2006
KR	2009 0028899	6/2009
RU	71056	6/2009

OTHER PUBLICATIONS

3M product literature for 3M™ 3000 Series Single-Cartridge Half-Facepiece Respirator dated 2009.

3M product literature for 3M Respiratory Protection 7700 Series Single-Filter Half-Facepiece Respirator dated 2008.

Koken web literature for Particulate Respirators, <http://www.koken-ltd.co.jp/english/particulatesrespirators.htm>, obtained from internet on Sep. 22, 2011.

North web literature for 7190N99 Welding Half Mask, http://www.northsafety.com/TriggerWorkflow.aspx?WorkflowModuleGUID=a3c3bf34-f500-45aa-a73f-13a246669a21&Alias=NSUS&SB_ContentItemGuid=b55fb755-d4a7-40dc-8e76-f21a2d582782&KeepSession=True&Tags:PC

Tags:PC_ItemGuid=0b20f978-ad7c-413f-8b8c-e1ee2b710a19, obtained from internet on Sep. 22, 2011.

Shigematsu web literature for DR77R Respirator, <http://www.stsjapan.com/products/bojin/detail.php?id=DR77R>. obtained from internet on Sep. 26, 2011.

* cited by examiner

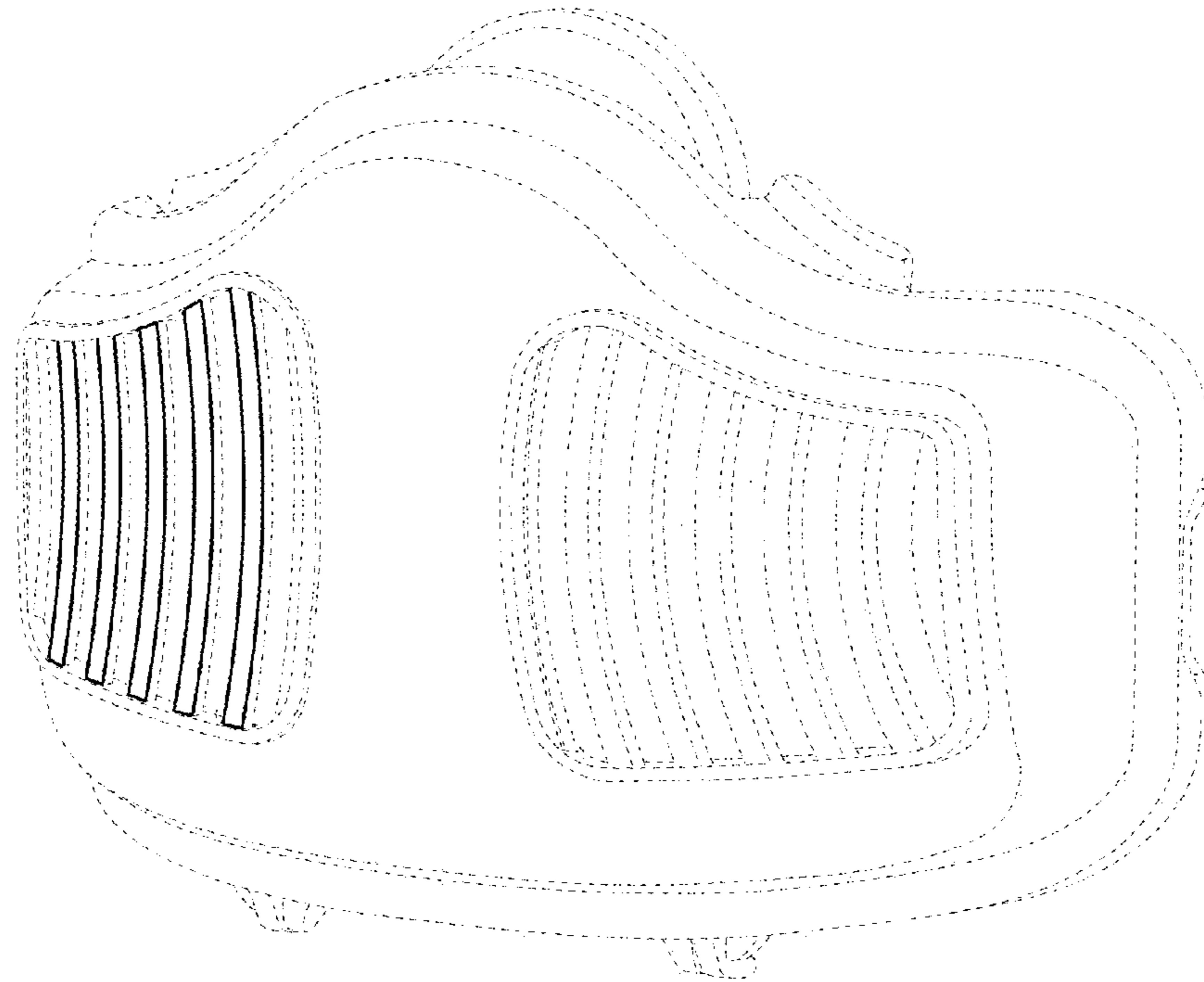


FIG. 1

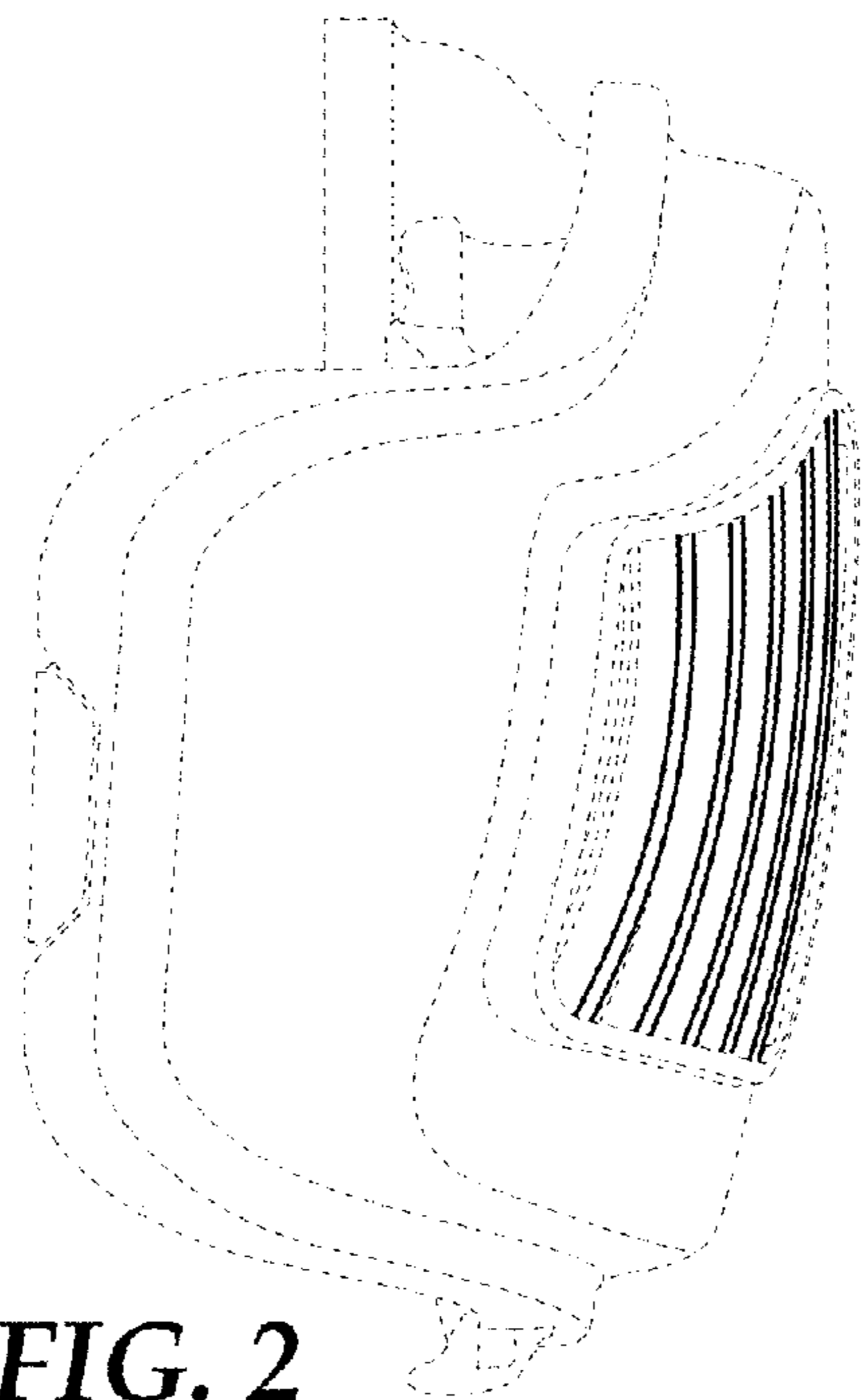


FIG. 2

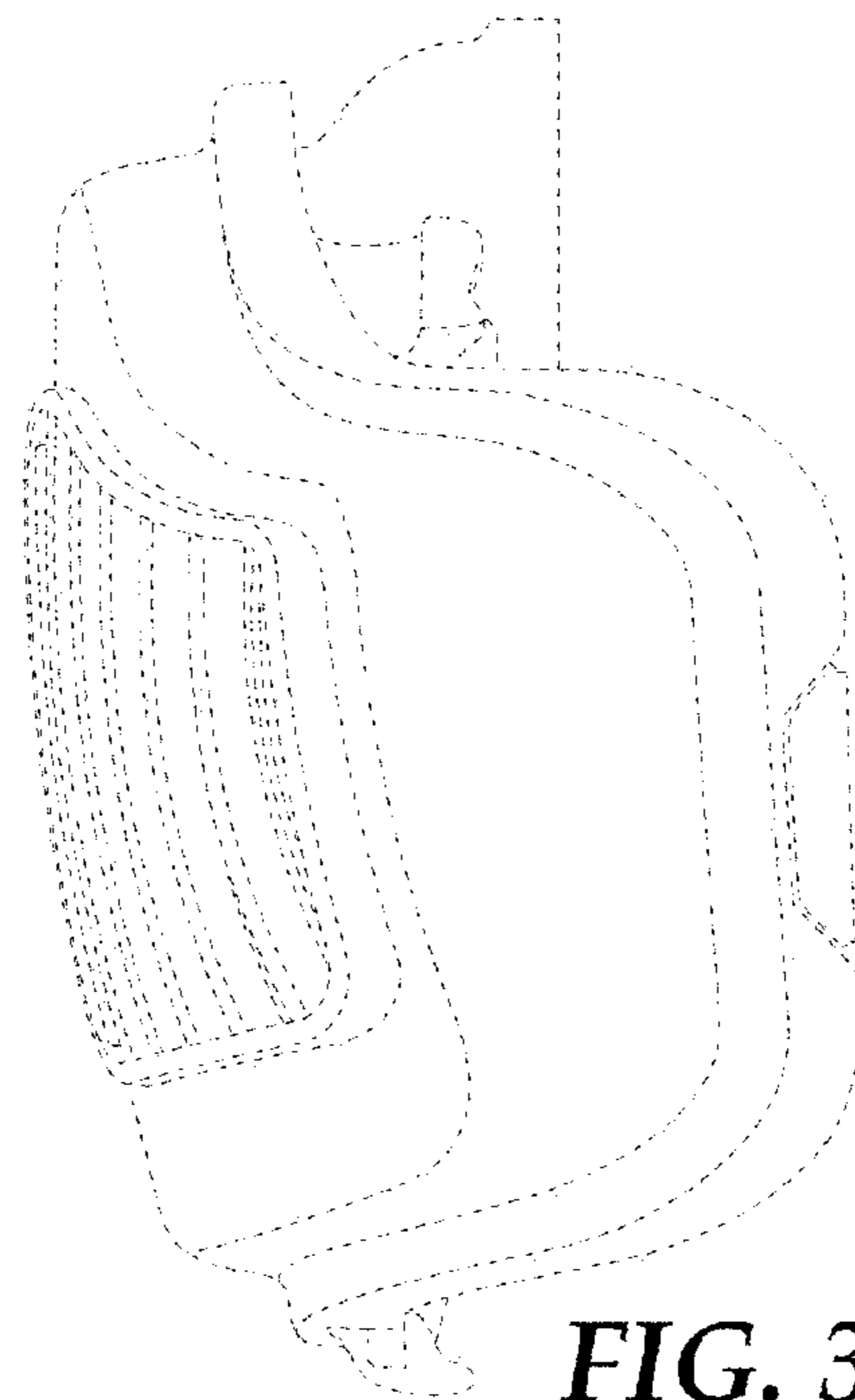


FIG. 3

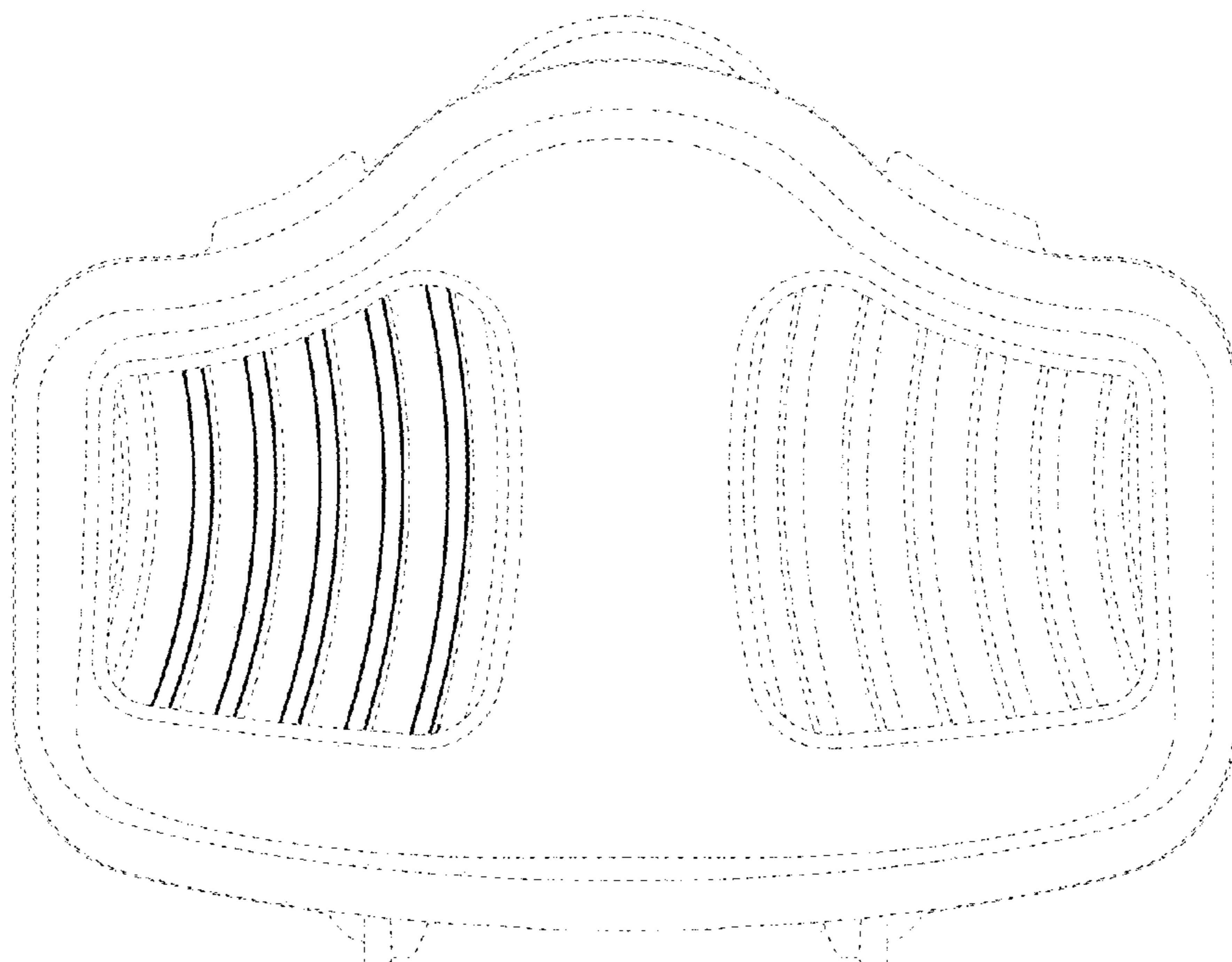


FIG. 4

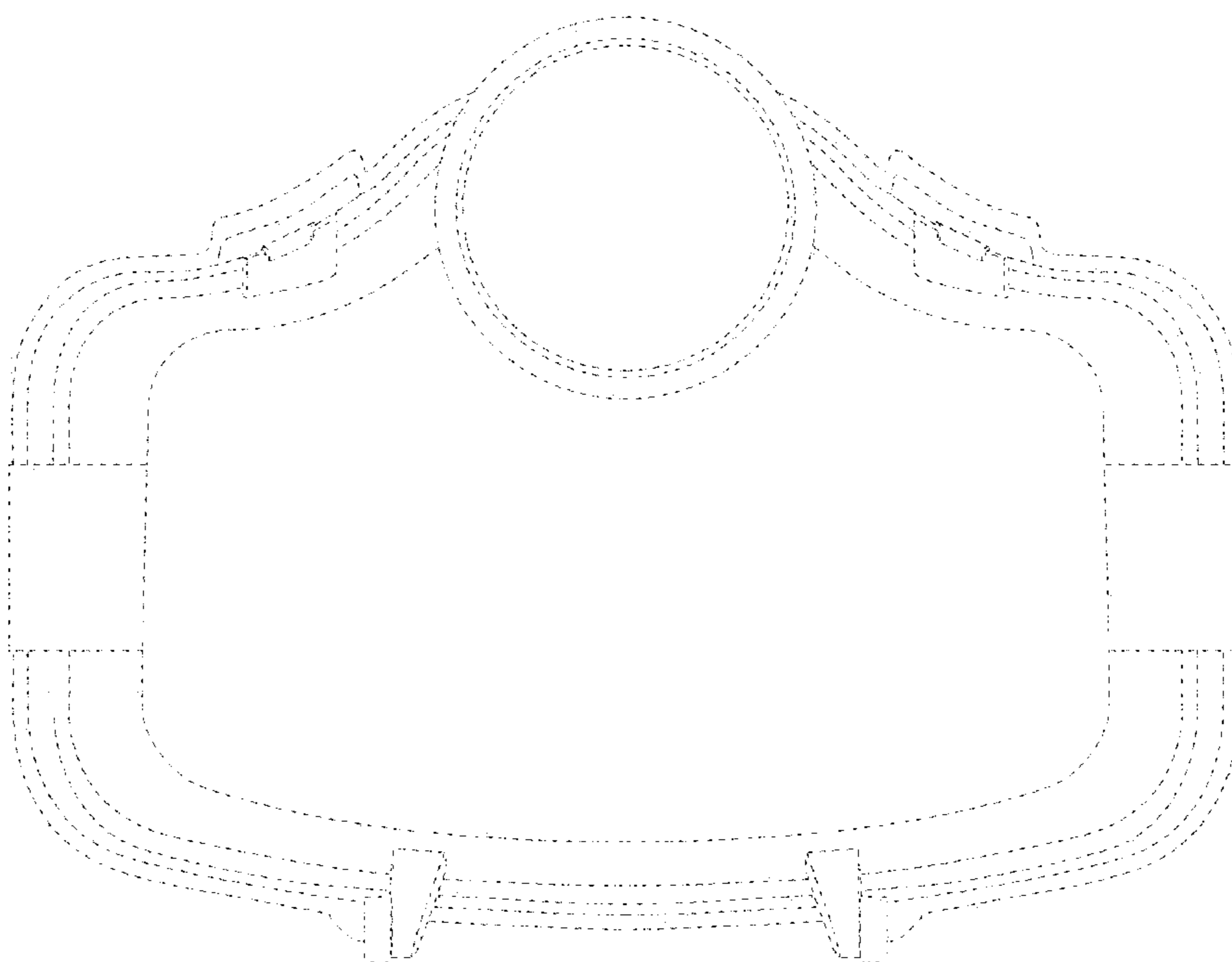


FIG. 5

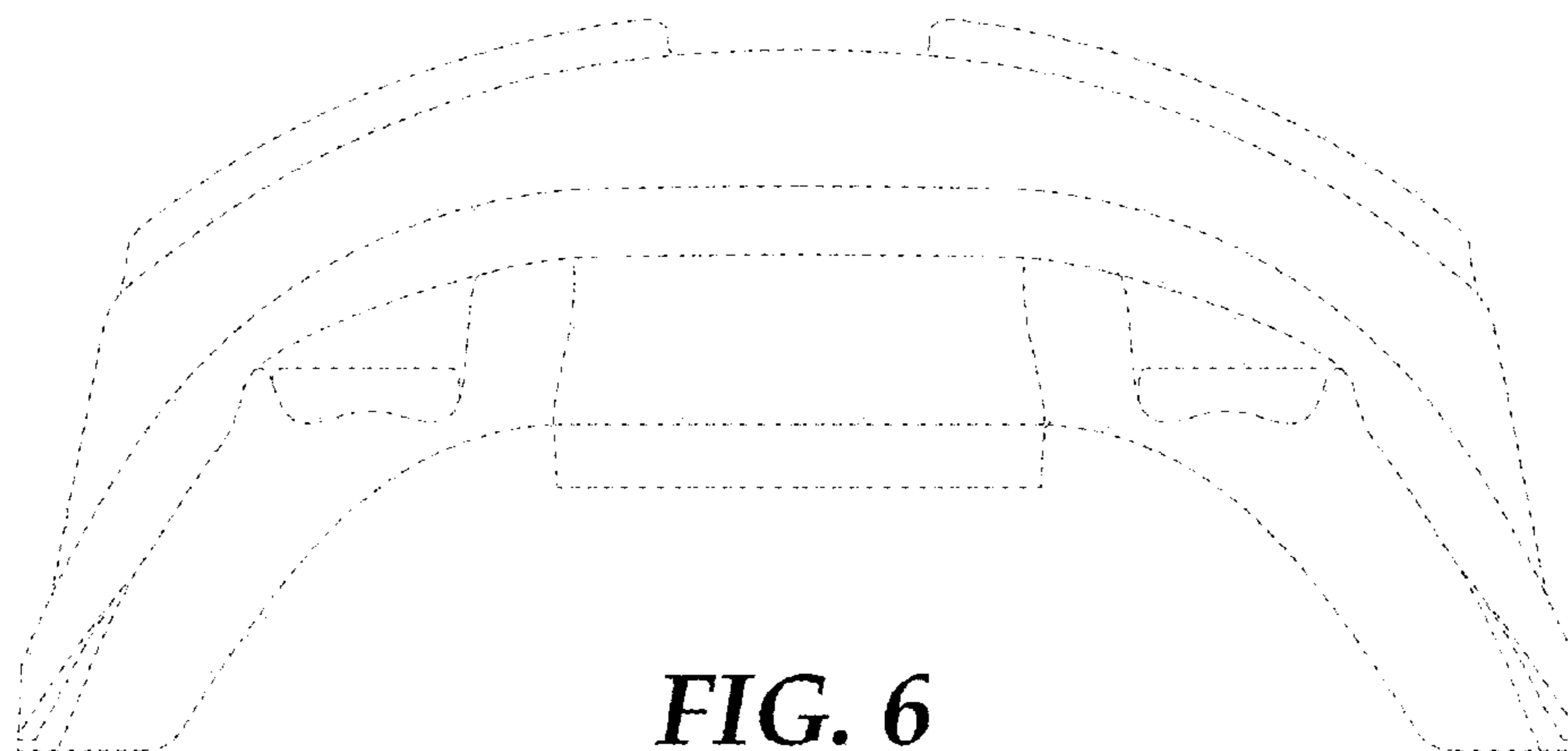


FIG. 6

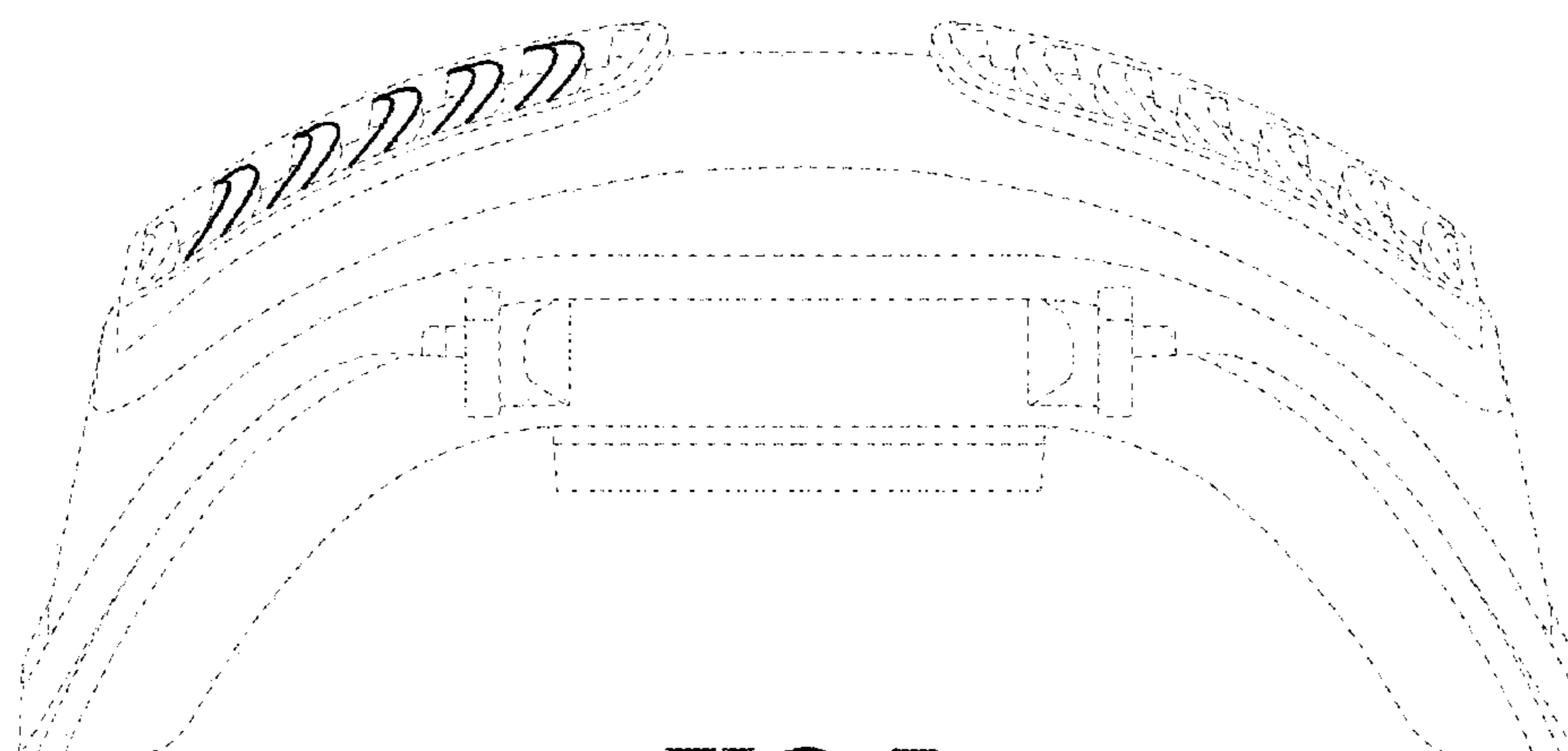


FIG. 7