



US00D721167S

(12) **United States Design Patent**
O'Brien et al.

(10) **Patent No.:** **US D721,167 S**
(45) **Date of Patent:** **** Jan. 13, 2015**

- (54) **SINK**
- (71) Applicant: **Kohler Co.**, Kohler, WI (US)
- (72) Inventors: **Sarah O'Brien**, Plymouth, WI (US);
Terrance K. Mahon, Whitefish Bay, WI (US);
Niels J. Eilmus, Sheboygan, WI (US);
Ryan R. Detlaff, Sheboygan, WI (US)
- (73) Assignee: **Kohler Co.**, Kohler, WI (US)
- (**) Term: **14 Years**
- (21) Appl. No.: **29/498,359**
- (22) Filed: **Aug. 1, 2014**

Related U.S. Application Data

- (62) Division of application No. 29/466,657, filed on Sep. 10, 2013, now Pat. No. Des. 713,515.
- (51) **LOC (10) Cl.** **23-02**
- (52) **U.S. Cl.**
USPC **D23/308**
- (58) **Field of Classification Search**
USPC D23/284, 293.1, 292, 303, 308, 285,
D23/249; 4/619, 637, 638, 650, 661, 252.4,
4/684, 379, 692
See application file for complete search history.

References Cited

U.S. PATENT DOCUMENTS

2,676,477 A	4/1954	Smith
3,196,864 A	7/1965	Johnson
4,242,763 A	1/1981	Walker
4,336,620 A	6/1982	Gresh
4,655,169 A	4/1987	Pullola
5,179,740 A	1/1993	Marsilio et al.
D389,901 S	1/1998	Kohler, Jr. et al.
5,715,547 A	2/1998	Becker et al.

6,085,362 A	7/2000	Huber
D442,679 S	5/2001	Roberts
6,484,330 B2	11/2002	Gray et al.
6,554,944 B1	4/2003	Peters et al.
D537,149 S	2/2007	Douglass et al.

(Continued)

Primary Examiner — Robert Delehanty
(74) *Attorney, Agent, or Firm* — Foley & Lardner LLP

(57) **CLAIM**

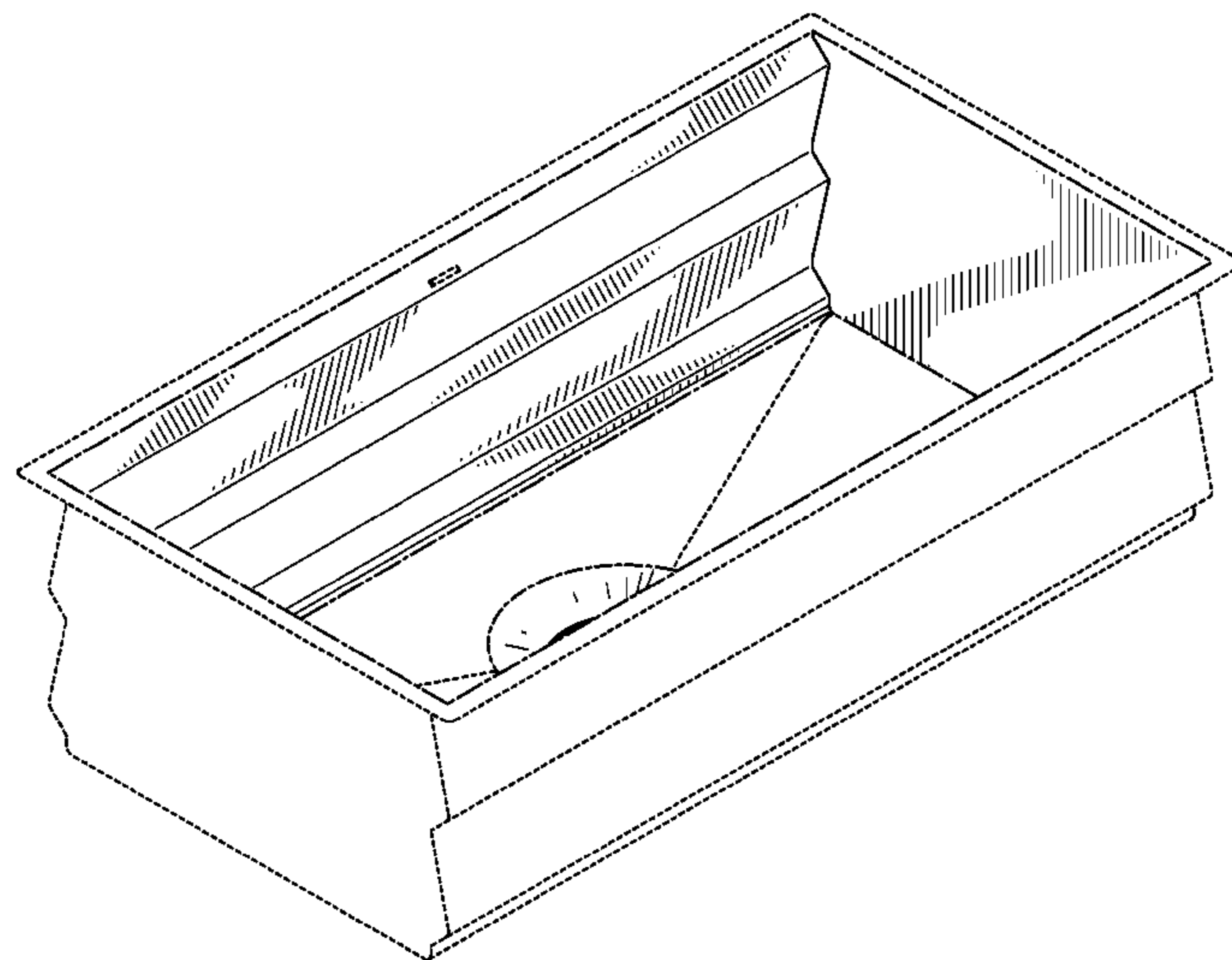
We claim the ornamental design for a sink, as shown and described.

DESCRIPTION

FIG. 1 is a perspective view of an embodiment of the claimed design;
 FIG. 2 is a top plan view thereof;
 FIG. 3 is a bottom plan view thereof;
 FIG. 4 is a front plan view thereof;
 FIG. 5 is a rear plan view thereof;
 FIG. 6 is a left plan view thereof;
 FIG. 7 is a right plan view thereof;
 FIG. 8 is a cross-sectional view thereof, taken along line 8-8 in FIG. 2;
 FIG. 8A is another cross-sectional view thereof, taken along section 8A in FIG. 8; and,
 FIG. 9 is another cross-sectional view thereof, taken along line 9-9 in FIG. 2.

The ornamental design which is claimed is shown in solid lines in the drawings. The broken lines in the drawings are for purposes of illustrating unclaimed portions of the design. Broken lines formed by equal length dashes show unclaimed portions of the design. Broken lines formed of unequal length dashes (i.e., dash-dot) show boundaries between claimed and unclaimed portions of the design. Symbolic break lines having a jagged element show that no particular length of the portion is claimed, such lines and any portion of the article between such lines forming no part of the claimed design.

1 Claim, 8 Drawing Sheets



(56)

References Cited

U.S. PATENT DOCUMENTS

D588,246 S 3/2009 Eilmus et al.
D603,025 S 10/2009 Mahon
D624,164 S 9/2010 Kakihana et al.

D635,231 S 3/2011 Primmer
7,954,183 B2 6/2011 Cawthon
7,992,236 B2 8/2011 Degooyer
1,070,424 A1 8/2013 Danver
2006/0096018 A1 5/2006 Ball
2010/0251477 A1 10/2010 Bates
2011/0277694 A1 11/2011 Euse

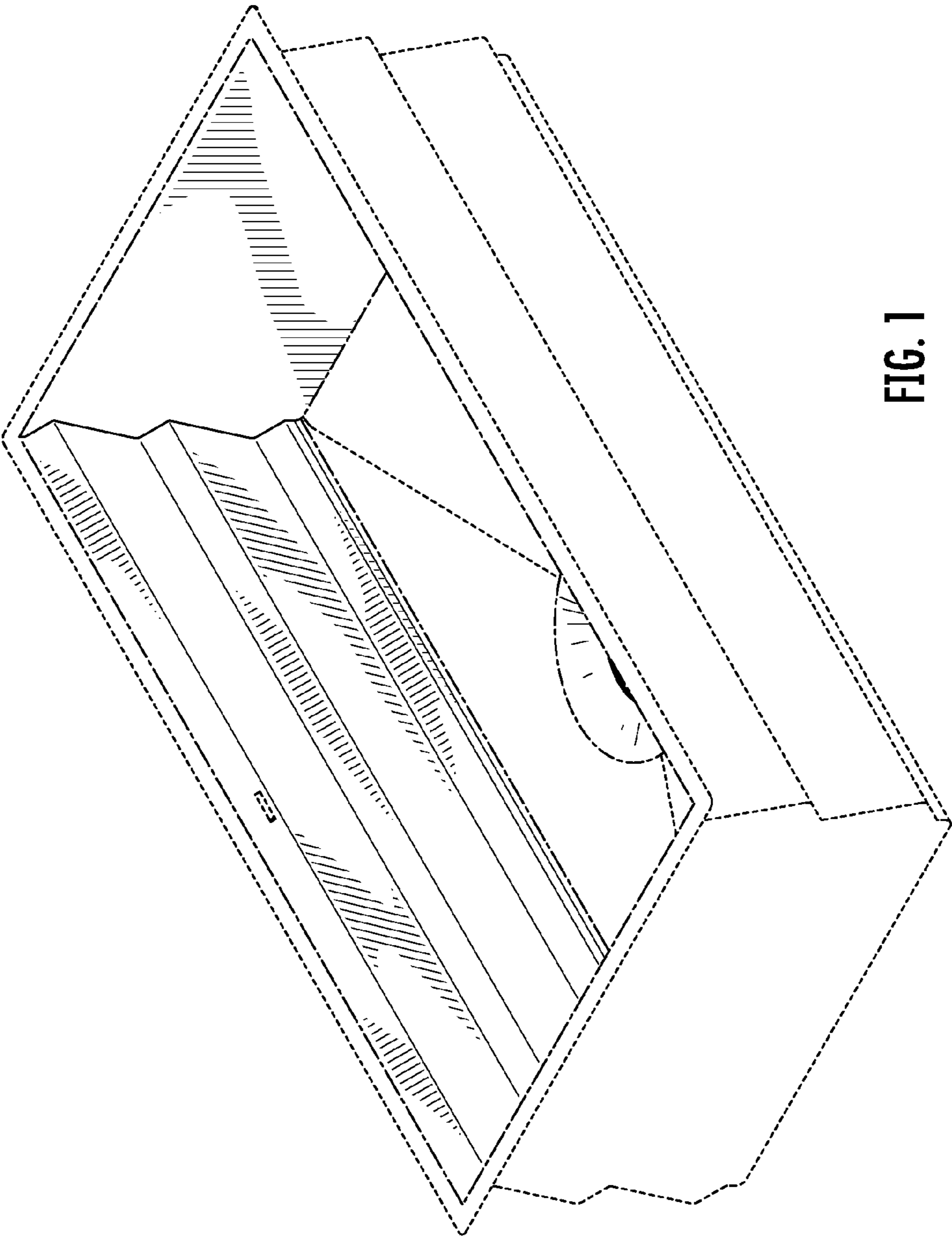


FIG. 1

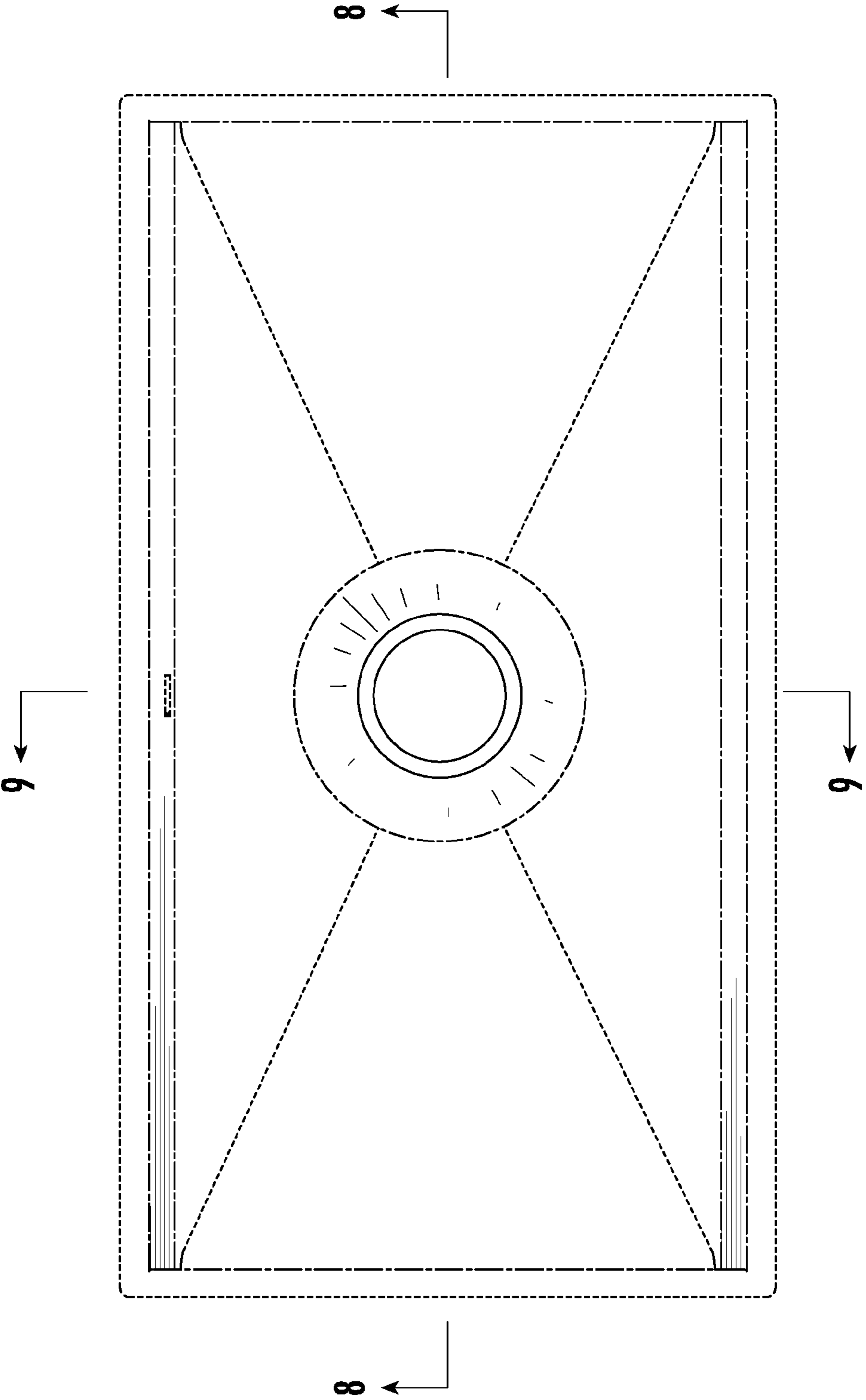


FIG. 2

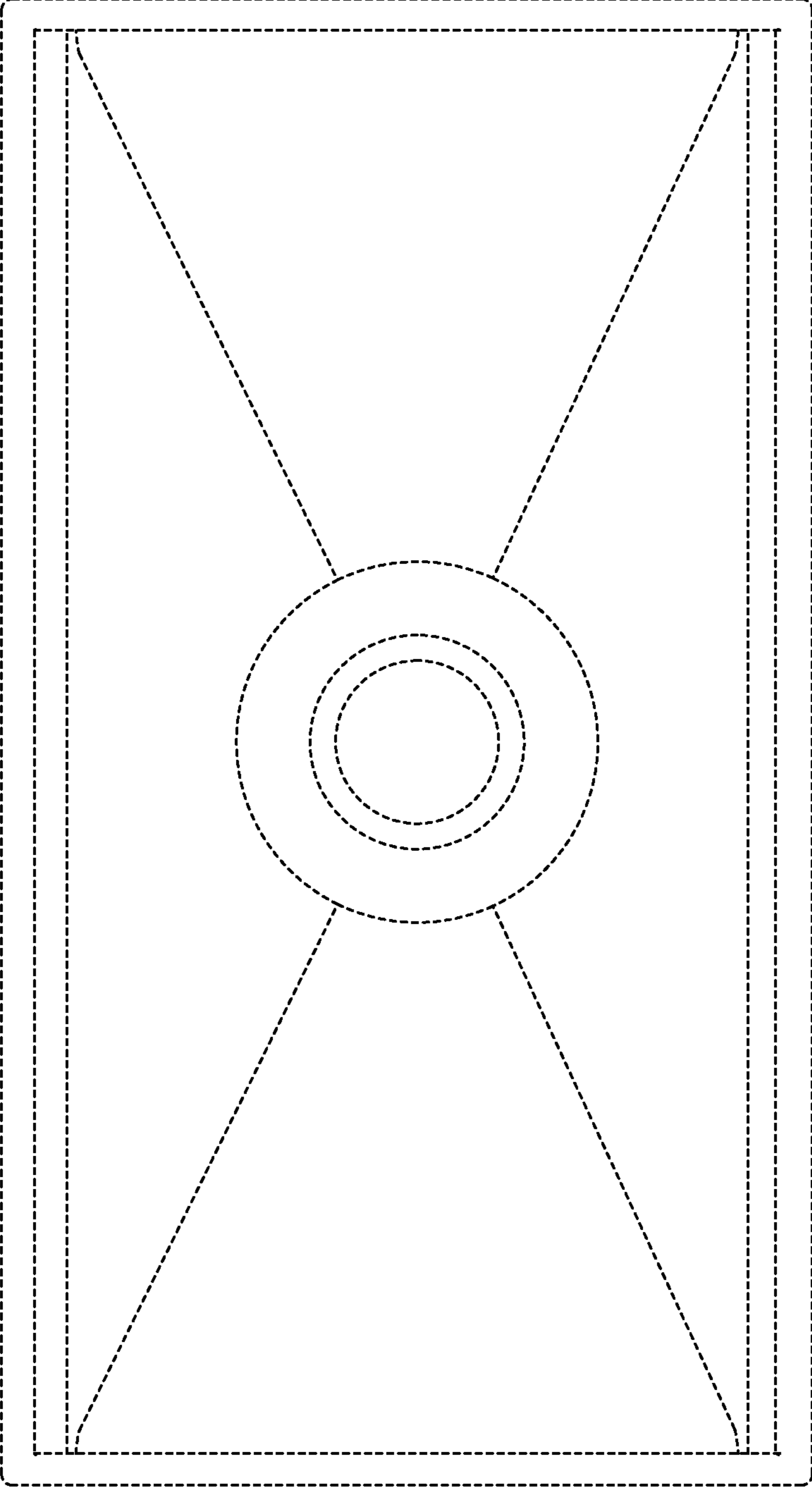


FIG. 3

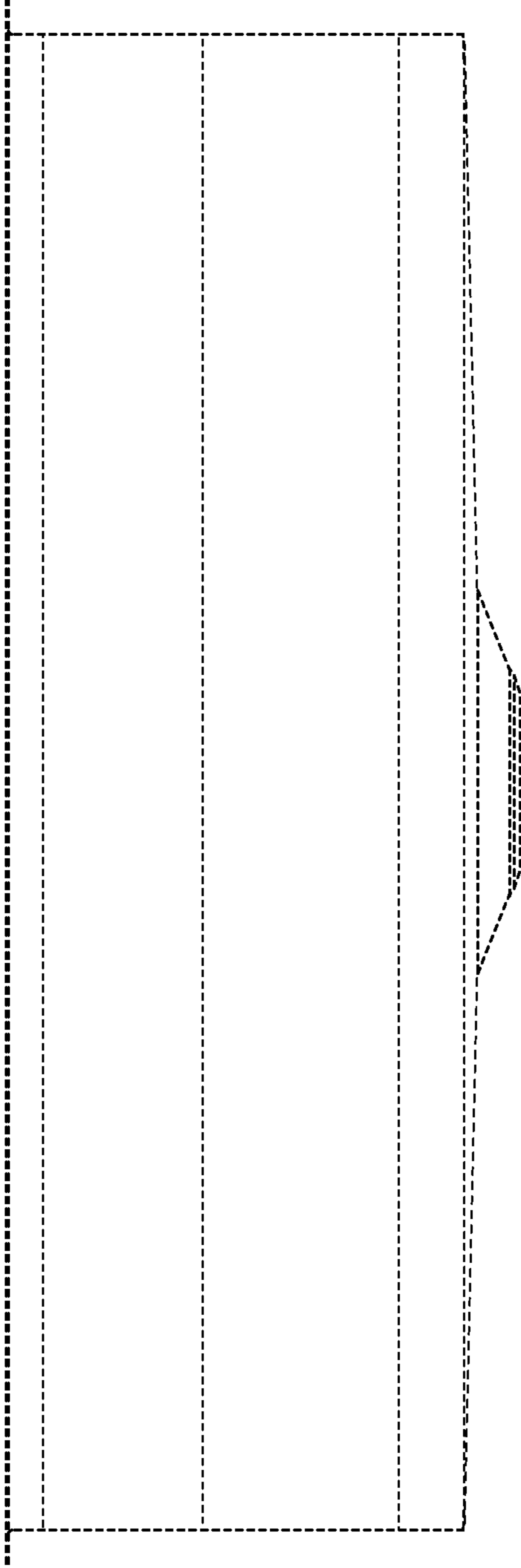


FIG. 4

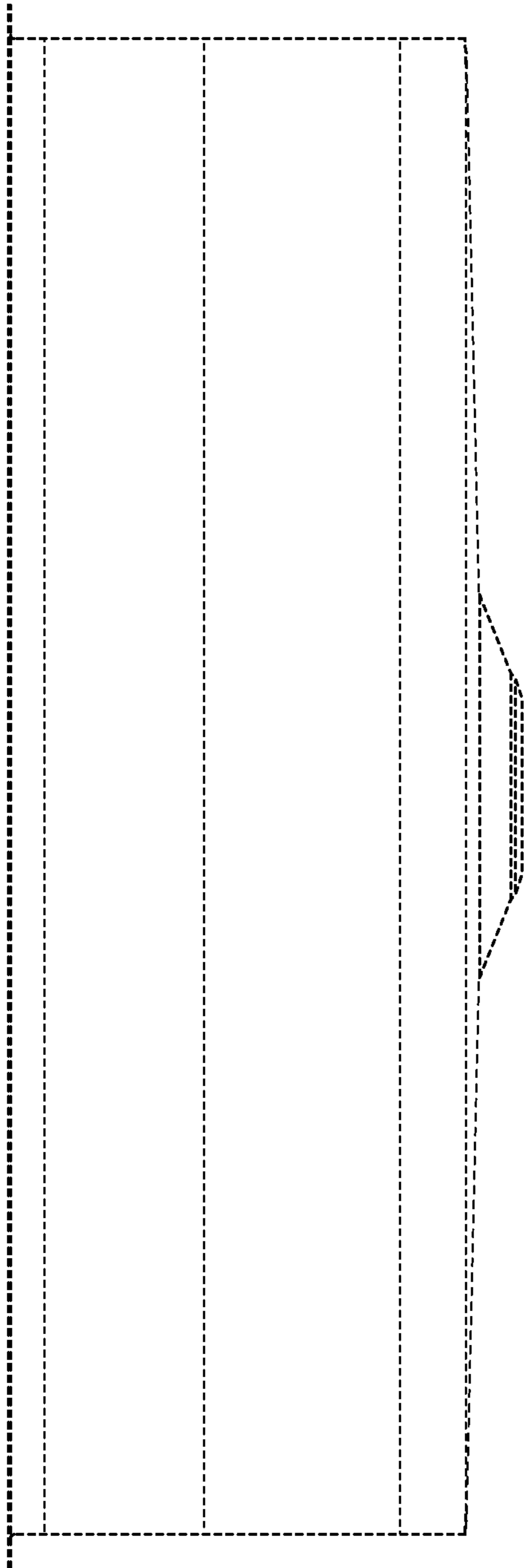


FIG. 5

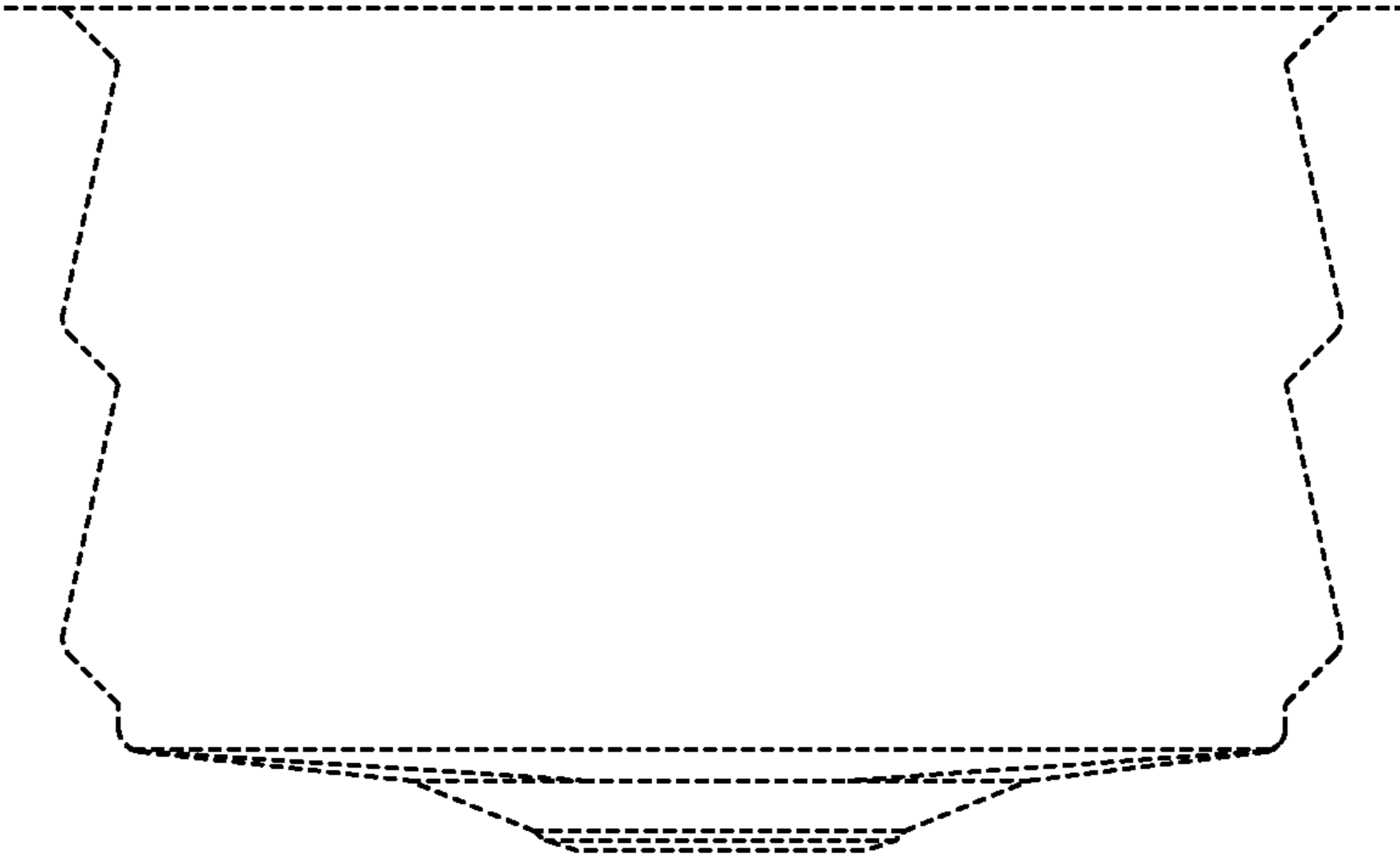


FIG. 6

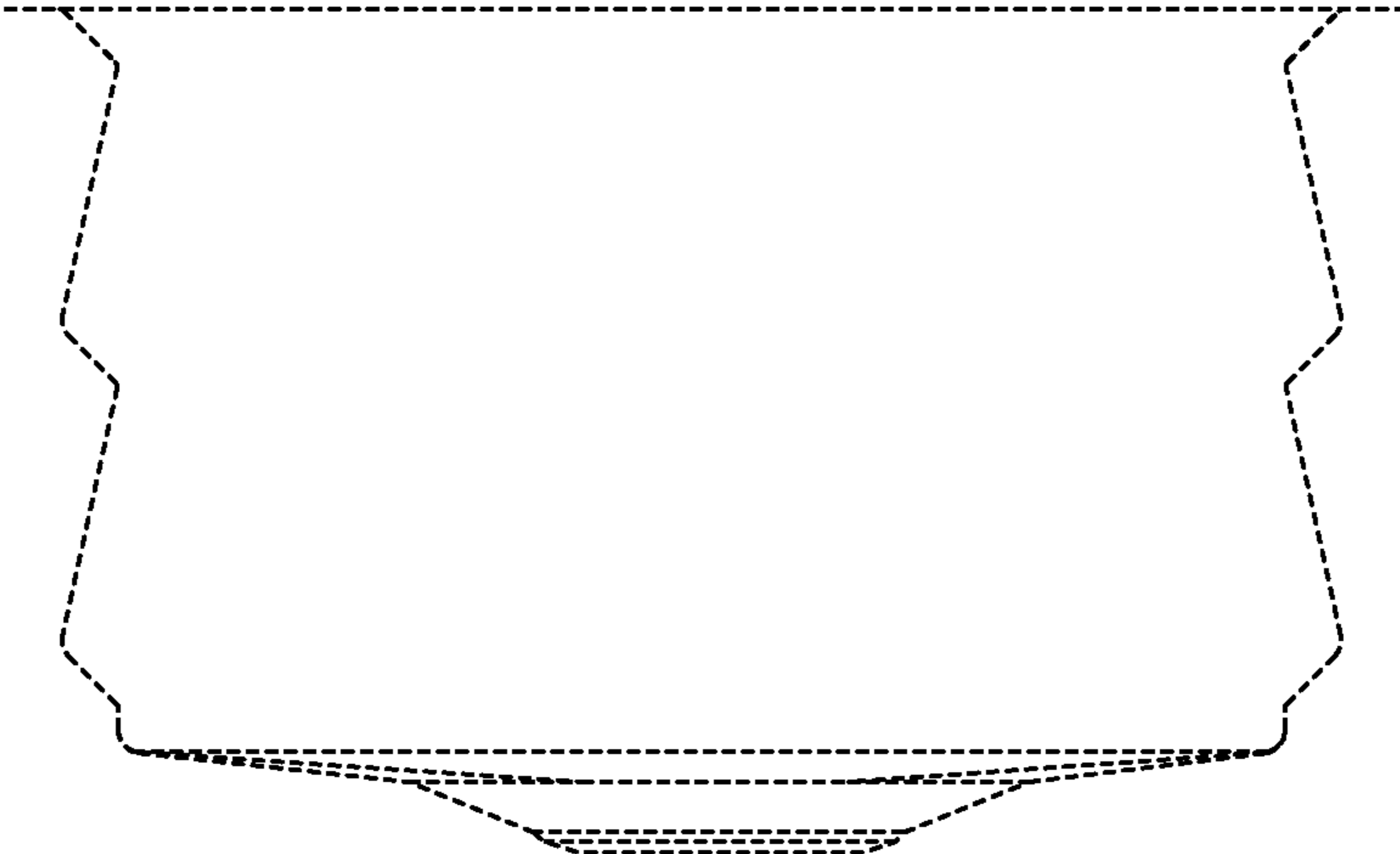


FIG. 7

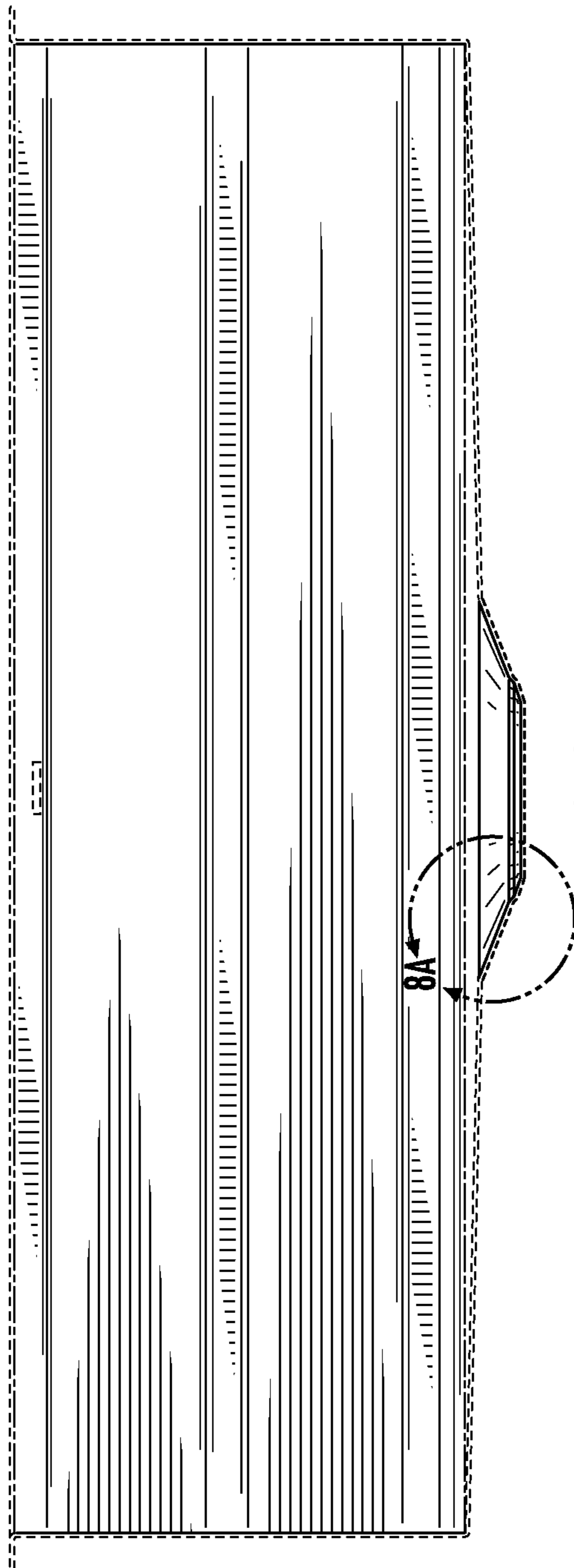


FIG. 8

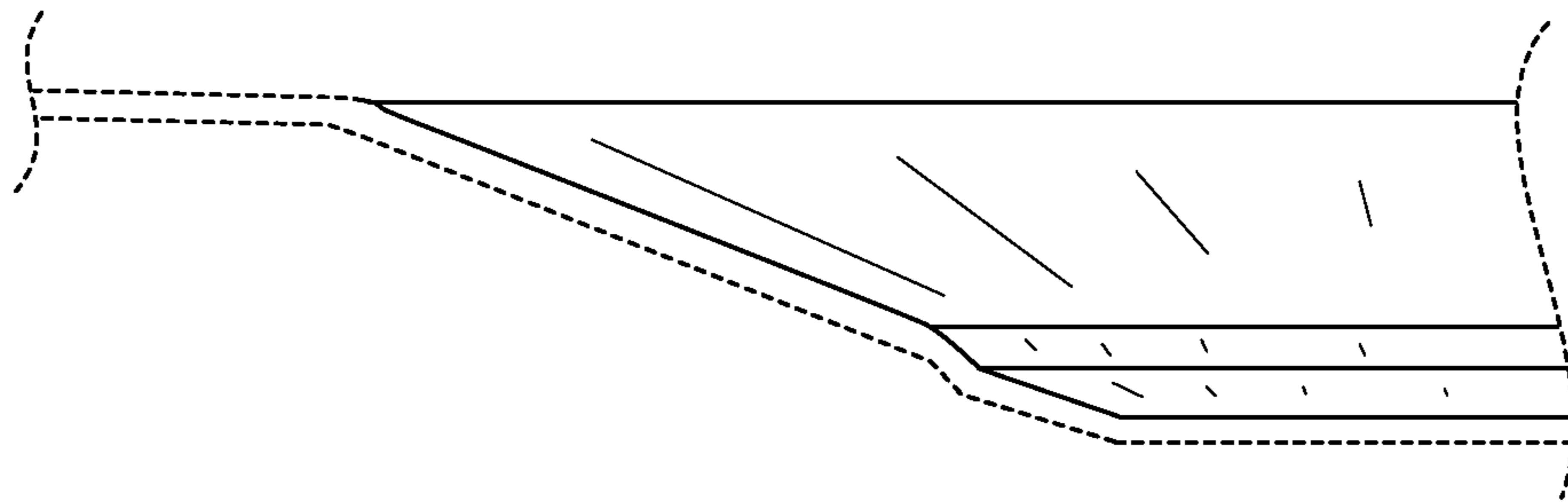


FIG. 8A

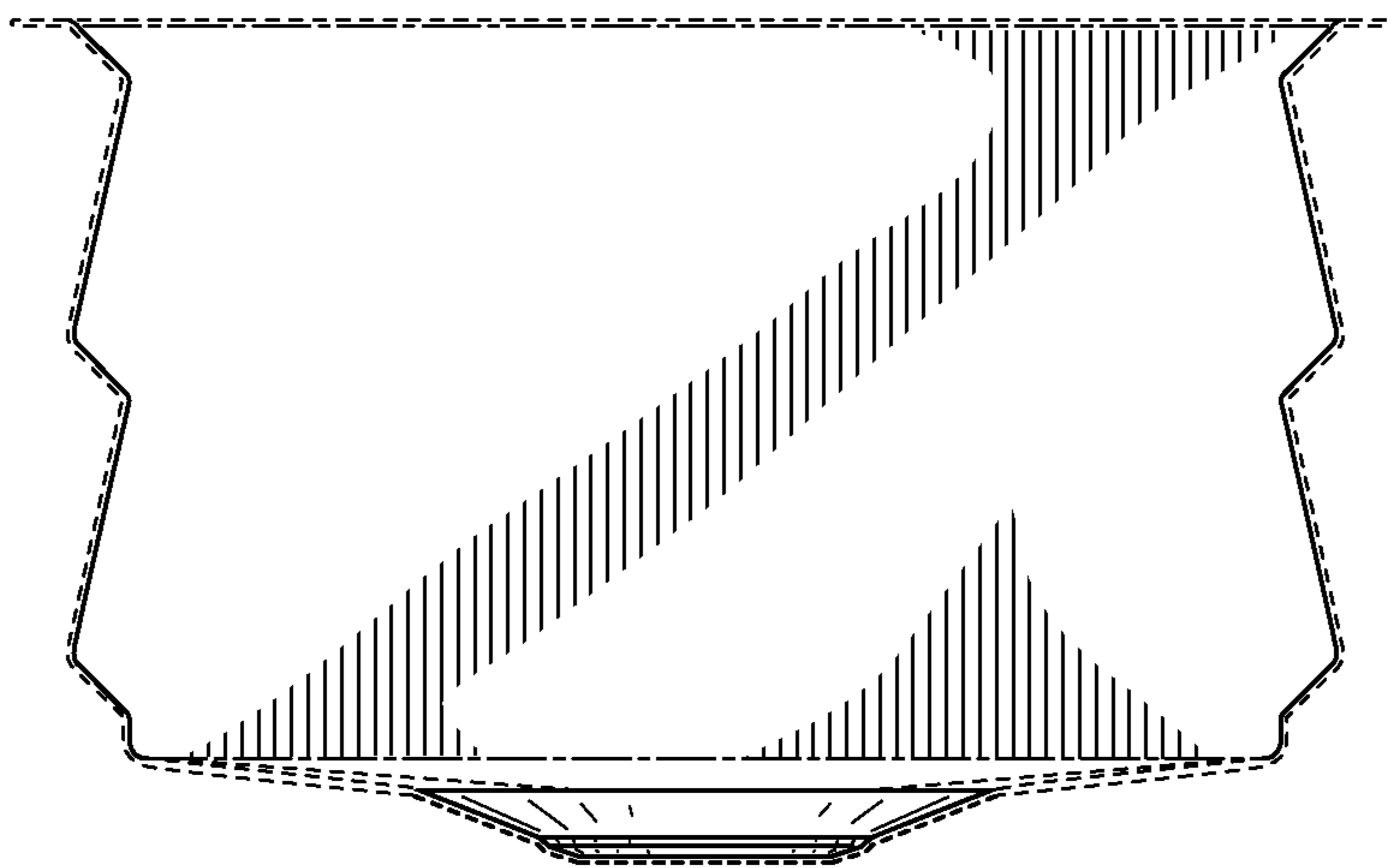


FIG. 9