



US00D721164S

(12) **United States Design Patent**
Georgeson et al.

(10) **Patent No.:** **US D721,164 S**
(45) **Date of Patent:** **** Jan. 13, 2015**

- (54) **FAUCET**
- (71) Applicant: **Kohler Co.**, Kohler, WI (US)
- (72) Inventors: **Paul B. Georgeson**, Sheboygan, WI (US); **Rafael A. Rexach**, Sheboygan, WI (US)
- (73) Assignee: **Kohler Co.**, Kohler, WI (US)
- (**) Term: **14 Years**
- (21) Appl. No.: **29/478,326**
- (22) Filed: **Jan. 3, 2014**

- D576,709 S 9/2008 Fritz
- D651,692 S 1/2012 Vanderheyden et al.
- D660,943 S 5/2012 Georgeson et al.
- D661,376 S 6/2012 Vanderheyden et al.
- D661,783 S 6/2012 Georgeson et al.
- D667,937 S 9/2012 Liao

Primary Examiner — Robert Delehanty
(74) *Attorney, Agent, or Firm* — Foley & Lardner LLP

(57) **CLAIM**
We claim the ornamental design for a faucet, as shown and described.

DESCRIPTION

FIG. 1 is a perspective view of an embodiment of the claimed design;
FIG. 2 is a side view of the claimed design shown in FIG. 1;
FIG. 3 is another side view of the claimed design shown in FIG. 1;
FIG. 4 is a top view of the claimed design shown in FIG. 1;
FIG. 5 is a bottom view of the claimed design shown in FIG. 1;
FIG. 6 is a front view of the claimed design shown in FIG. 1;
and,
FIG. 7 is rear view of the claimed design shown in FIG. 1.
The ornamental design which is claimed is shown in solid lines in the drawings. The broken lines in the drawings are for illustrative purposes only and form no part of the claimed design.

Related U.S. Application Data

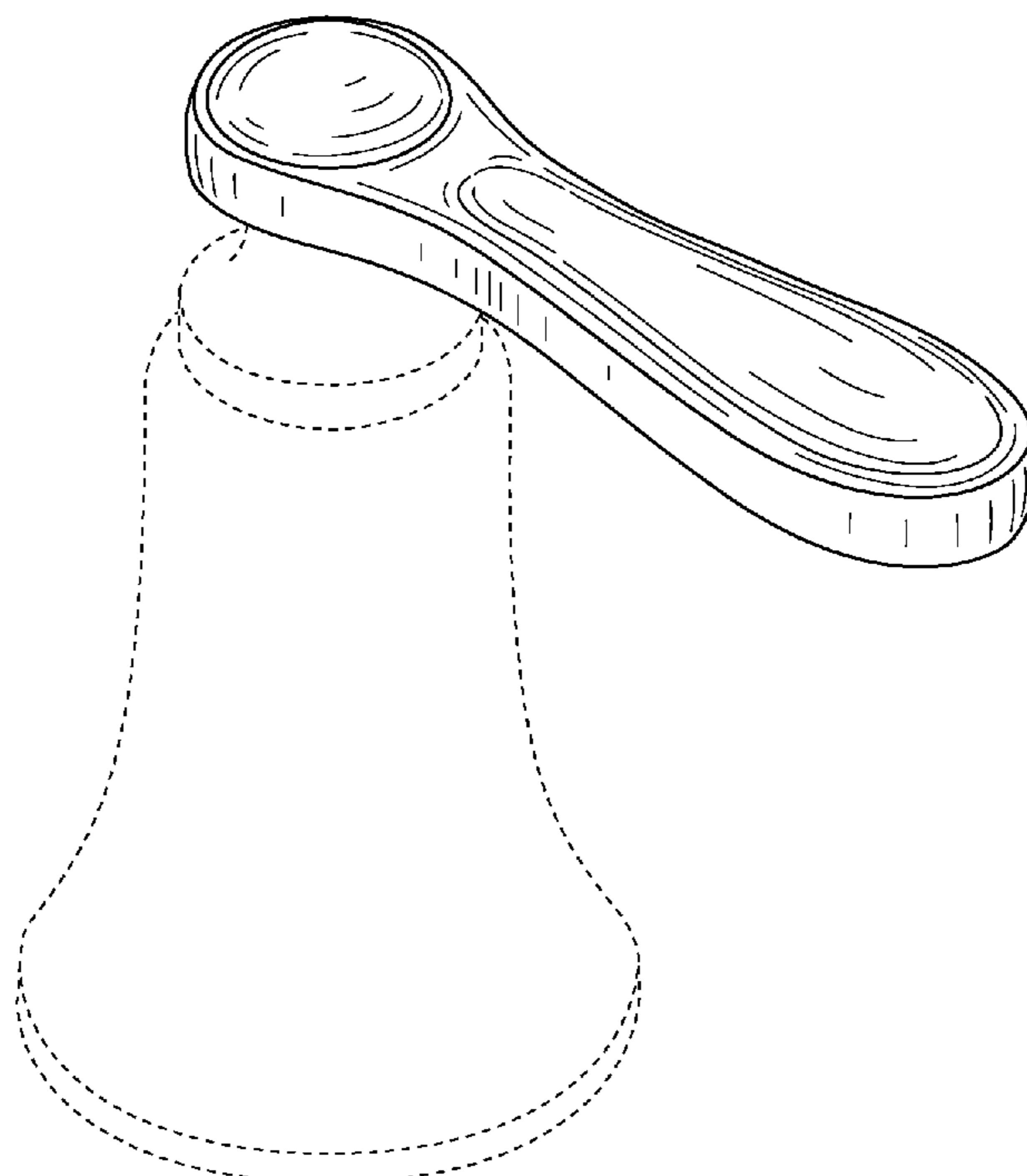
- (62) Division of application No. 29/447,520, filed on Mar. 4, 2013, now Pat. No. Des. 697,179.
- (51) **LOC (10) Cl.** **23-01**
- (52) **U.S. Cl.**
USPC **D23/252**
- (58) **Field of Classification Search**
USPC D23/238, 241–243, 250, 252, 255, 257;
4/675–678; 137/801
See application file for complete search history.

References Cited

U.S. PATENT DOCUMENTS

- D81,314 S 6/1930 Kersten
- D532,486 S 11/2006 Barry

1 Claim, 7 Drawing Sheets



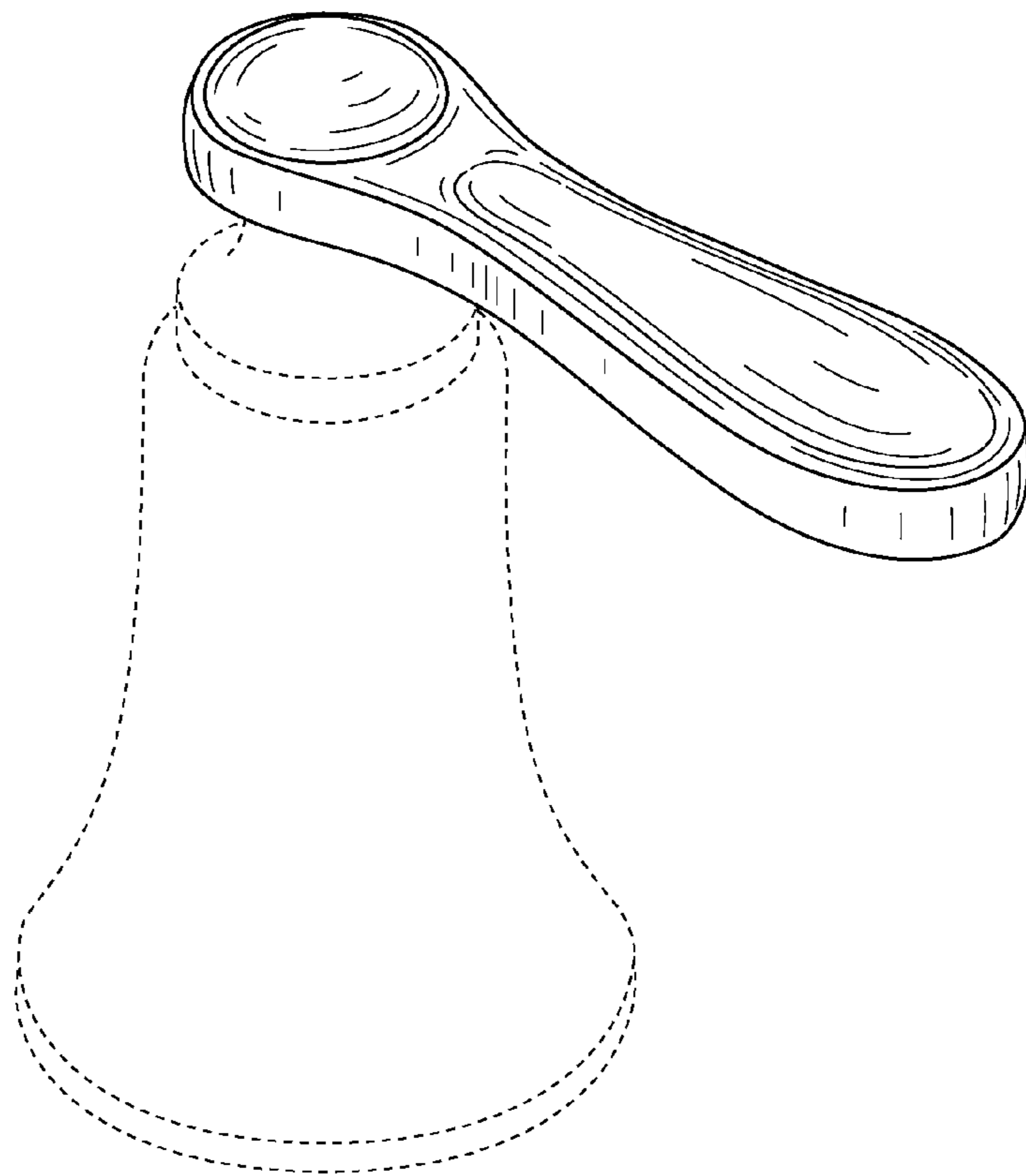


FIG. 1

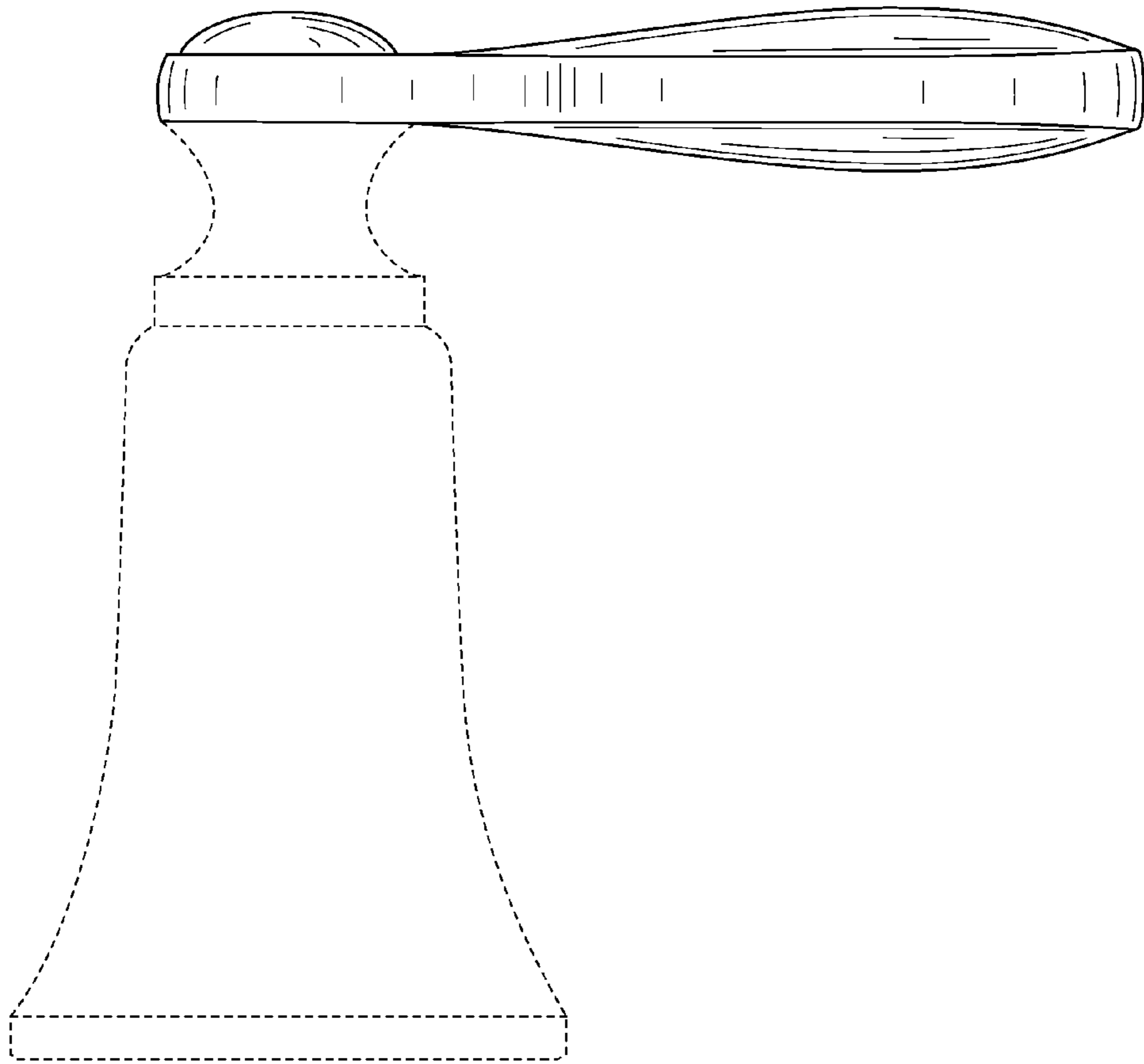


FIG. 2

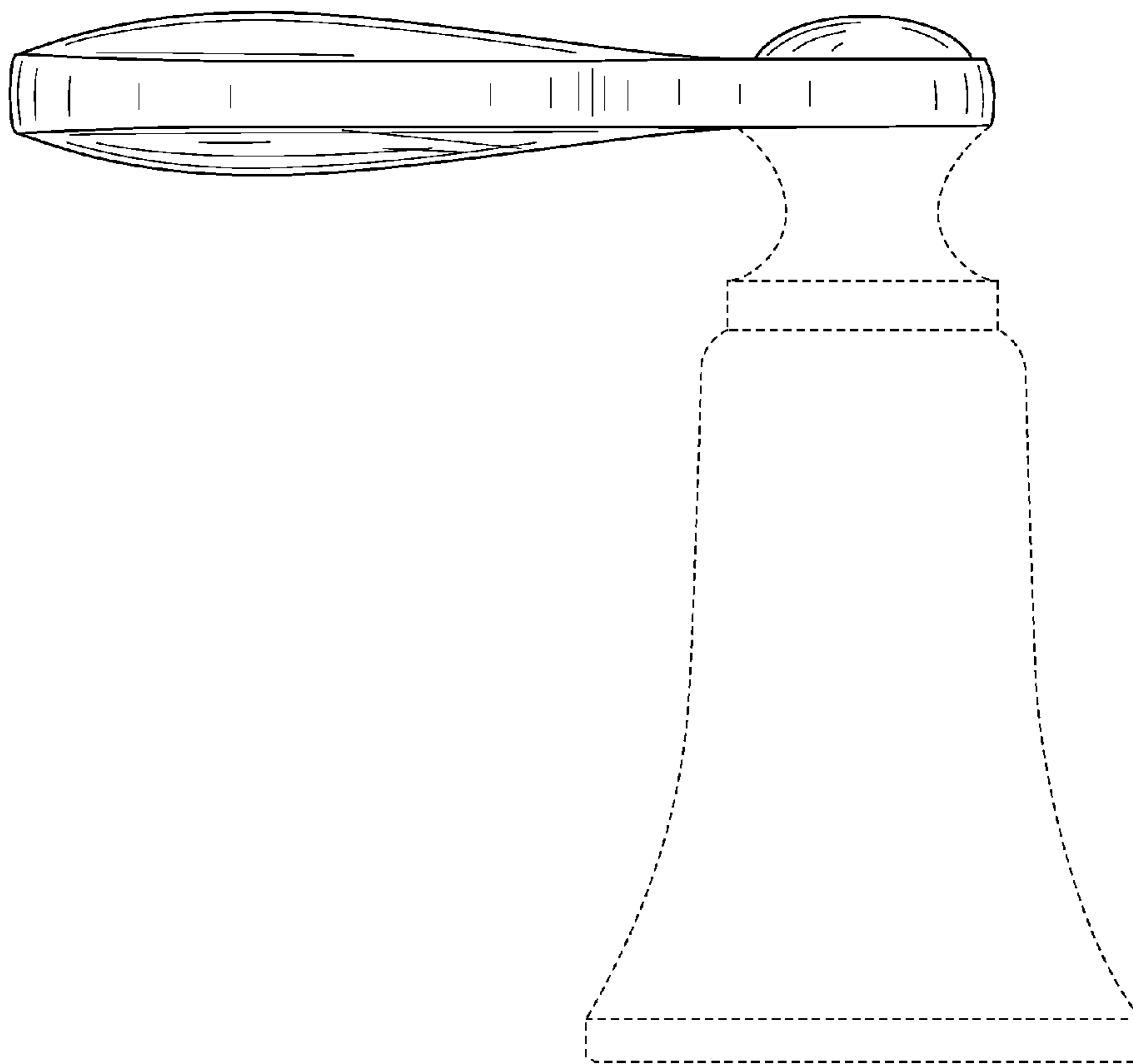


FIG. 3

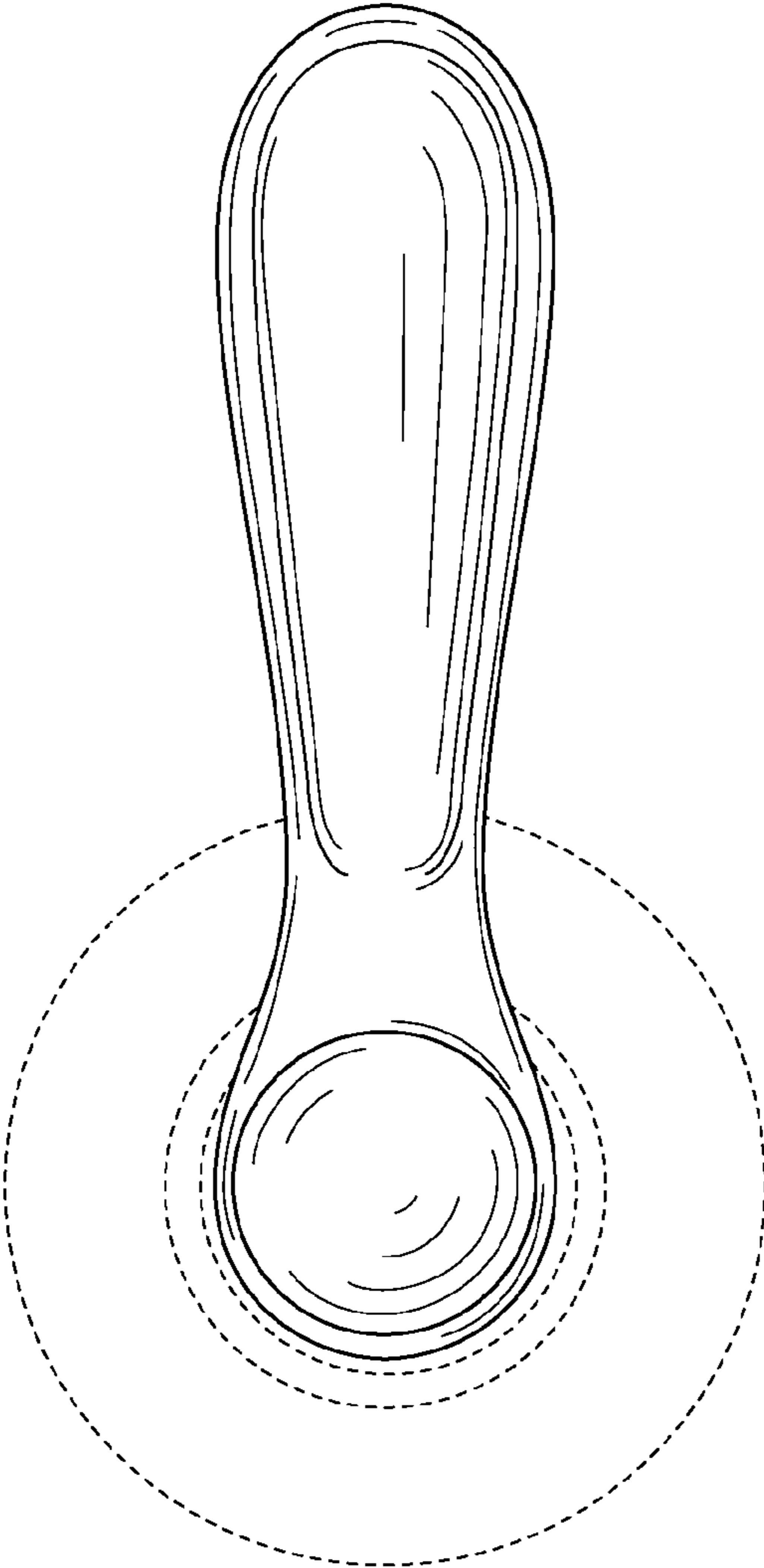


FIG. 4

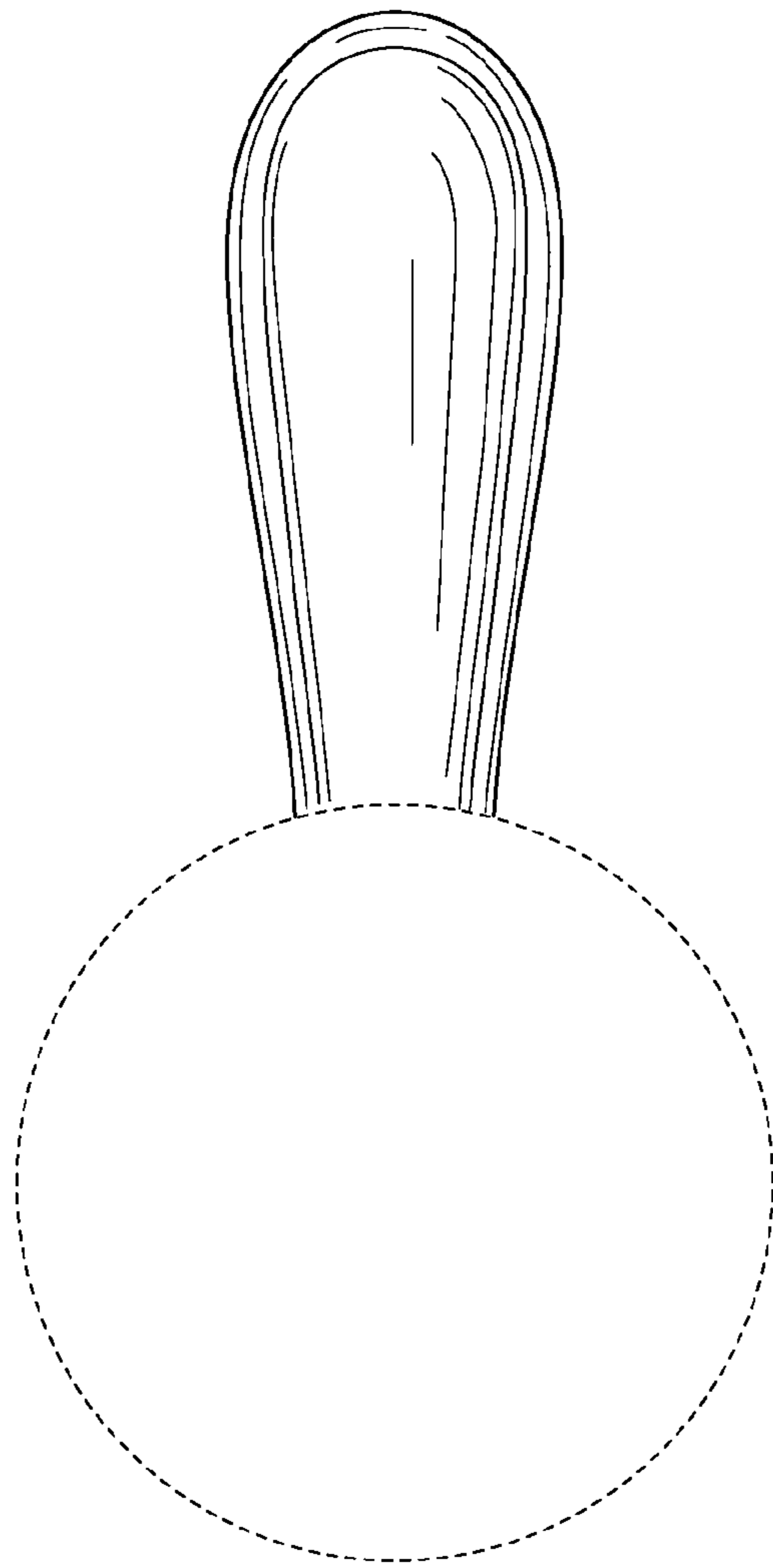


FIG. 5

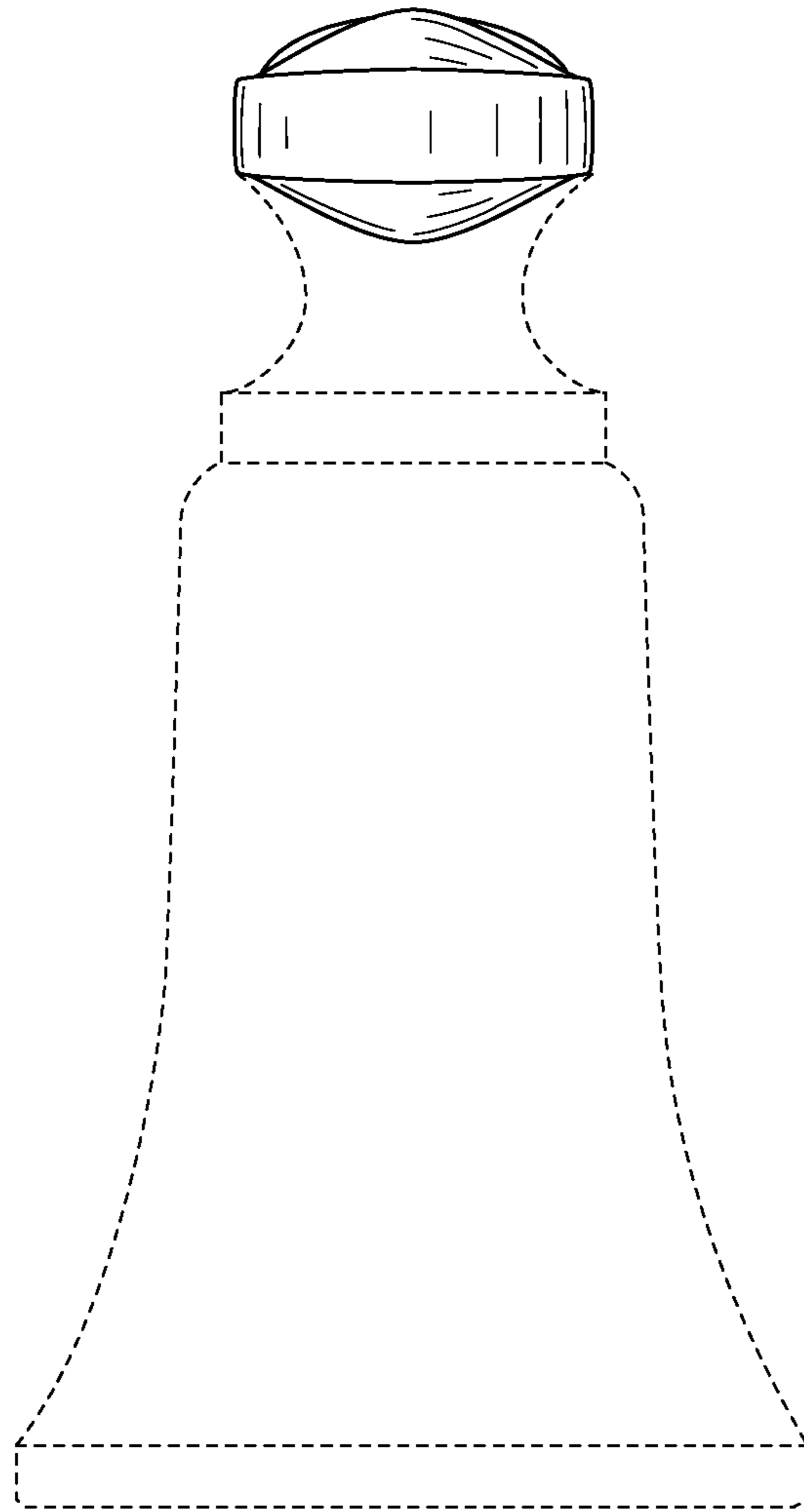


FIG. 6

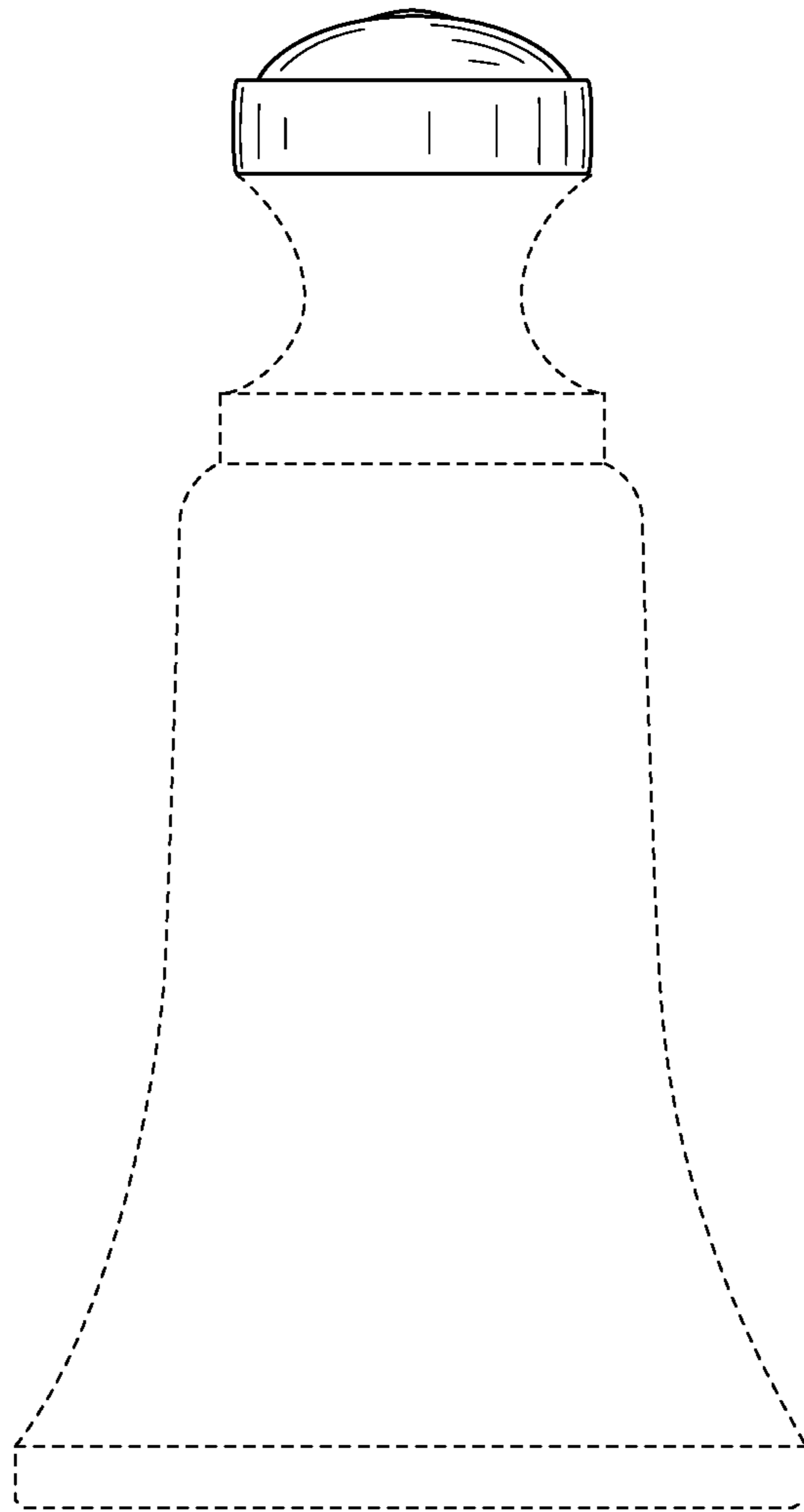


FIG. 7