



US00D721163S

(12) **United States Design Patent**
Nishiyama et al.

(10) **Patent No.:** **US D721,163 S**
(45) **Date of Patent:** **** Jan. 13, 2015**

(54) **ELECTROMAGNETIC VALVE WITH
RESIDUAL PRESSURE EXHAUST VALVE**

(71) Applicants: **Tatsuya Nishiyama**, Tsukubamirai (JP);
Takashi Murakami, Tsukubamirai (JP);
Shinji Miyazoe, Tsukubamirai (JP)

(72) Inventors: **Tatsuya Nishiyama**, Tsukubamirai (JP);
Takashi Murakami, Tsukubamirai (JP);
Shinji Miyazoe, Tsukubamirai (JP)

(73) Assignee: **SMC Corporation**, Chiyoda-ku, Tokyo
(JP)

(**) Term: **14 Years**

(21) Appl. No.: **29/476,589**

(22) Filed: **Dec. 16, 2013**

(30) **Foreign Application Priority Data**

Aug. 28, 2013 (JP) 2013-019798

(51) **LOC (10) Cl.** **23-01**

(52) **U.S. Cl.**
USPC **D23/233**

(58) **Field of Classification Search**

CPC F16K 31/0655; F16K 31/0675; F16K
31/0658; F16K 31/06; H01F 7/081
USPC D23/233, 234-237; 137/625.64, 85;
123/406.69; 251/129.01, 129.11,
251/129.15, 149.8

See application file for complete search history.

(56) **References Cited**

U.S. PATENT DOCUMENTS

5,603,355 A * 2/1997 Miyazoe et al. 137/625.64
5,706,858 A * 1/1998 Miyazoe et al. 137/884
D415,256 S * 10/1999 Hayashi et al. D23/233
D416,309 S * 11/1999 Hayashi et al. D23/233
D443,030 S * 5/2001 Kaneko et al. D23/233
D459,441 S * 6/2002 Hayashi et al. D23/233
D533,254 S * 12/2006 Miyazoe et al. D23/233

7,316,244 B2 * 1/2008 Miyazoe et al. 137/625.64
D563,506 S * 3/2008 Kato et al. D23/233
D563,508 S * 3/2008 Yoshimura et al. D23/233
D563,517 S * 3/2008 Miyazoe et al. D23/233
D563,518 S * 3/2008 Miyazoe et al. D23/233
D563,519 S * 3/2008 Miyazoe et al. D23/233
D563,520 S * 3/2008 Miyazoe et al. D23/233
D563,521 S * 3/2008 Miyazoe et al. D23/233
D563,522 S * 3/2008 Miyazoe et al. D23/233
D563,523 S * 3/2008 Matsumoto et al. D23/233
D564,627 S * 3/2008 Miyazoe et al. D23/233
D564,628 S * 3/2008 Miyazoe et al. D23/233
D564,629 S * 3/2008 Miyazoe et al. D23/233
D564,630 S * 3/2008 Miyazoe et al. D23/233
D564,631 S * 3/2008 Miyazoe et al. D23/233
D584,797 S * 1/2009 Matsumoto et al. D23/233
D591,829 S * 5/2009 Miyazoe et al. D23/233

(Continued)

Primary Examiner — Cynthia Ramirez

Assistant Examiner — Gino Colan

(74) *Attorney, Agent, or Firm* — Yokoi & Co., U.S.A.;
Toshiyuki Yokoi

(57) **CLAIM**

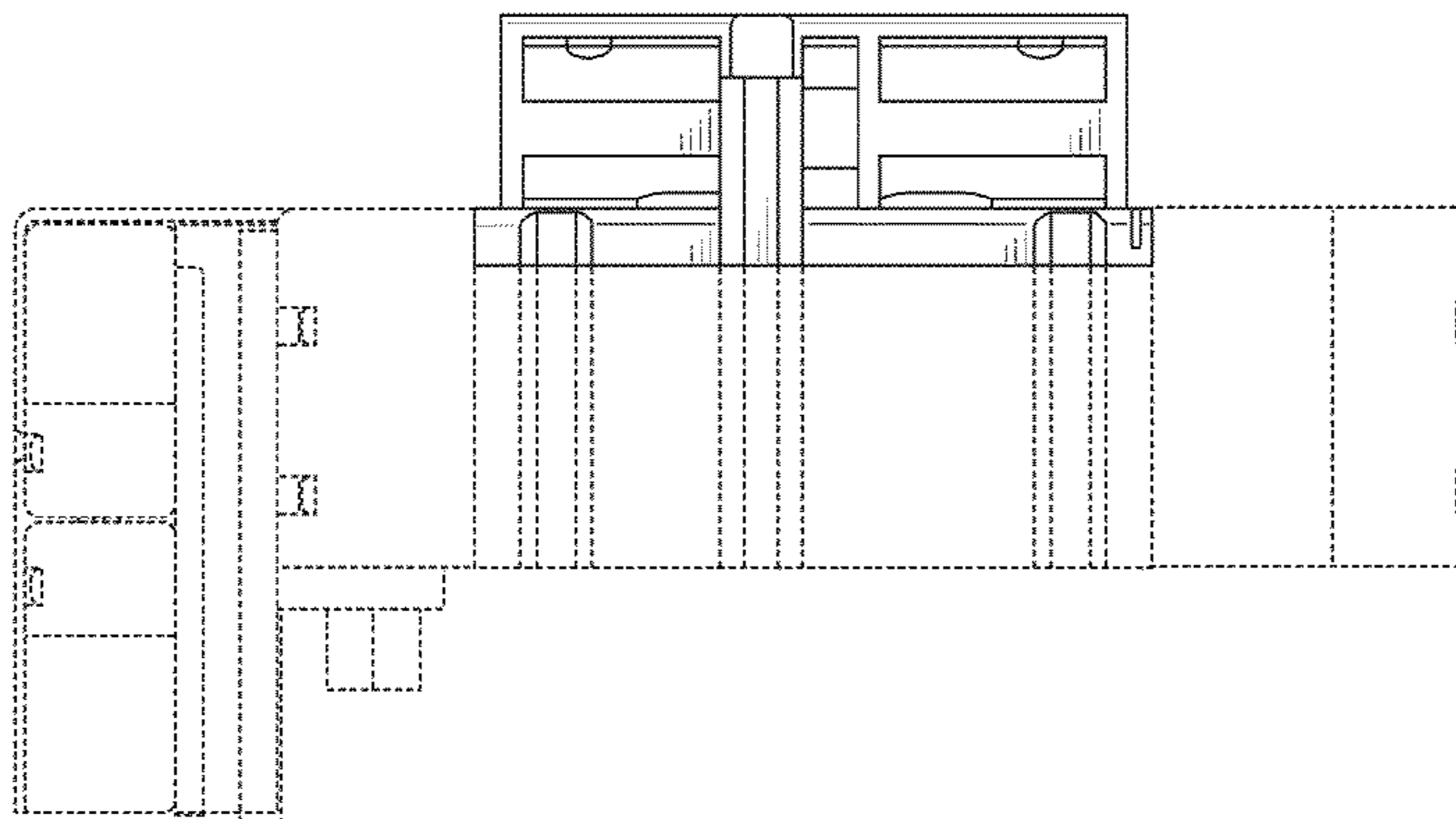
The ornamental design for an electromagnetic valve with residual pressure exhaust valve, as shown and described.

DESCRIPTION

FIG. 1 shows a front view of an electromagnetic valve with residual pressure exhaust valve showing our new design; FIG. 2 shows a rear view thereof; FIG. 3 shows a right side view thereof; FIG. 4 shows a left side view thereof; FIG. 5 shows a top view thereof; FIG. 6 shows a bottom view thereof; FIG. 7 shows a top, front and left side perspective view thereof; and, FIG. 8 shows a bottom, rear and right side perspective view thereof.

The portions of the design shown in broken lines in FIGS. 1-8 are for the purpose of illustrating the environment only and form no part of the claimed design.

1 Claim, 5 Drawing Sheets



(56)

References Cited

U.S. PATENT DOCUMENTS

D594,930 S *	6/2009	Takakuwa et al.	D23/233	D636,460 S *	4/2011	Hayashi	D23/233
D596,708 S *	7/2009	Matsumoto	D23/233	D639,393 S *	6/2011	Hayashi	D23/233
D599,887 S *	9/2009	Matsumoto	D23/233	D653,307 S *	1/2012	Senba	D23/233
D599,888 S *	9/2009	Matsumoto	D23/233	D653,308 S *	1/2012	Senba	D23/233
D599,889 S *	9/2009	Oshima et al.	D23/233	D665,874 S *	8/2012	Senba	D23/233
D607,539 S *	1/2010	Matsumoto	D23/233	D668,321 S *	10/2012	Senba	D23/233
D607,540 S *	1/2010	Matsumoto	D23/233	D692,096 S *	10/2013	Fukano et al.	D23/233
D616,964 S *	6/2010	Miyazoe et al.	D23/233	D694,363 S *	11/2013	Narita	D23/233
D623,270 S *	9/2010	Fukano et al.	D23/233	D694,364 S *	11/2013	Narita	D23/233
				D694,365 S *	11/2013	Narita	D23/233
				D694,858 S *	12/2013	Narita	D23/233

* cited by examiner

FIG. 1

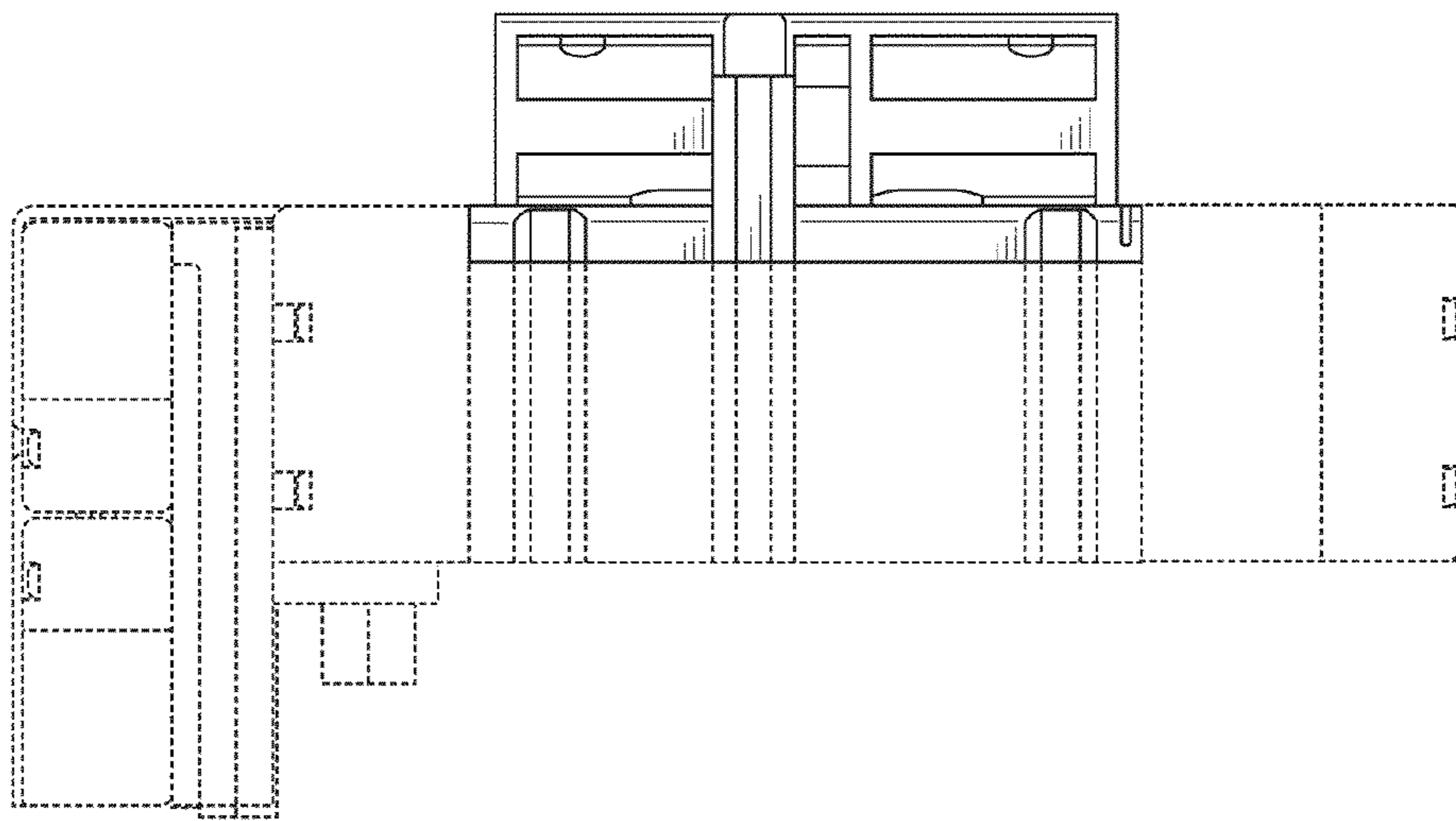


FIG. 2

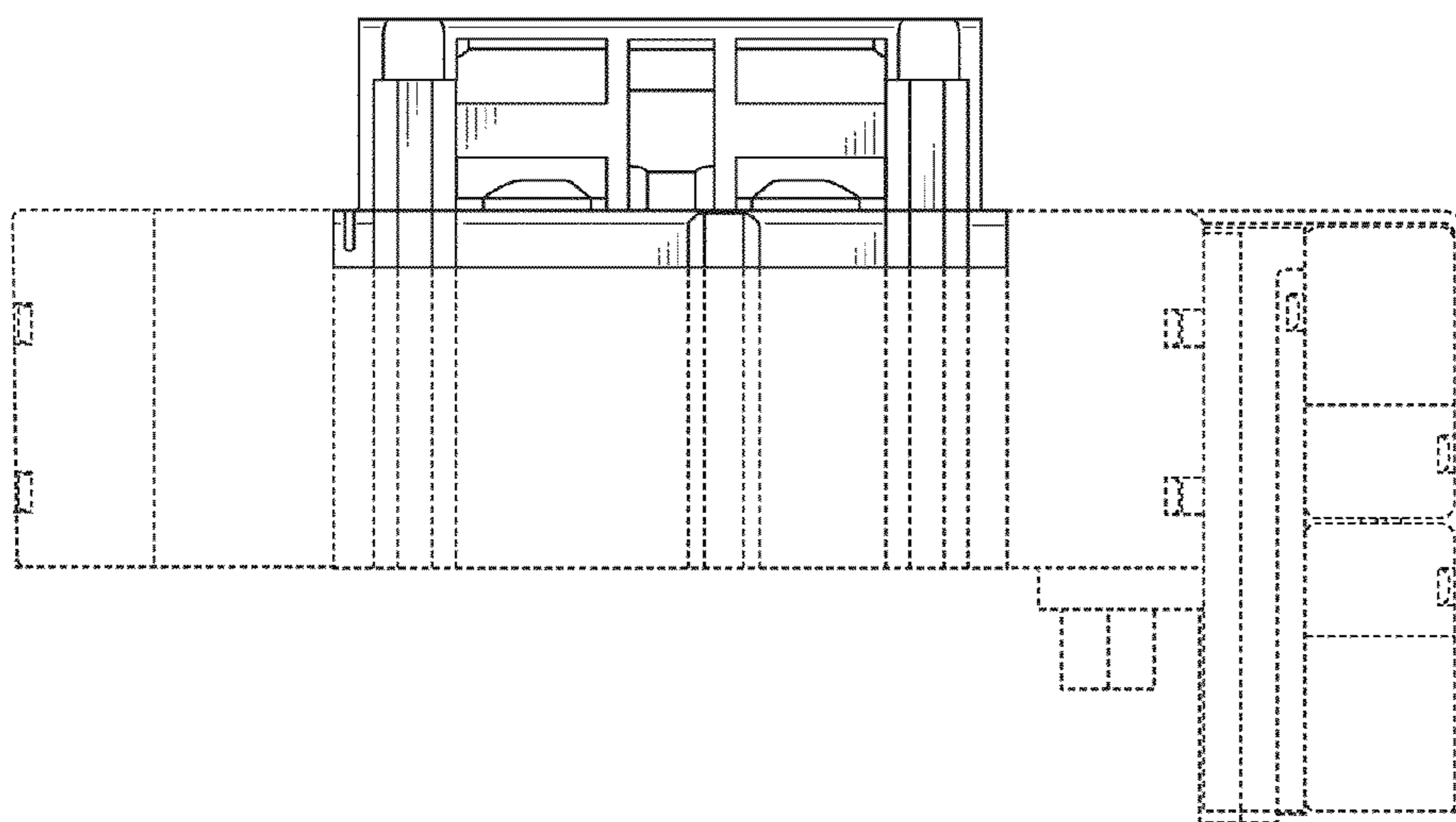


FIG. 3

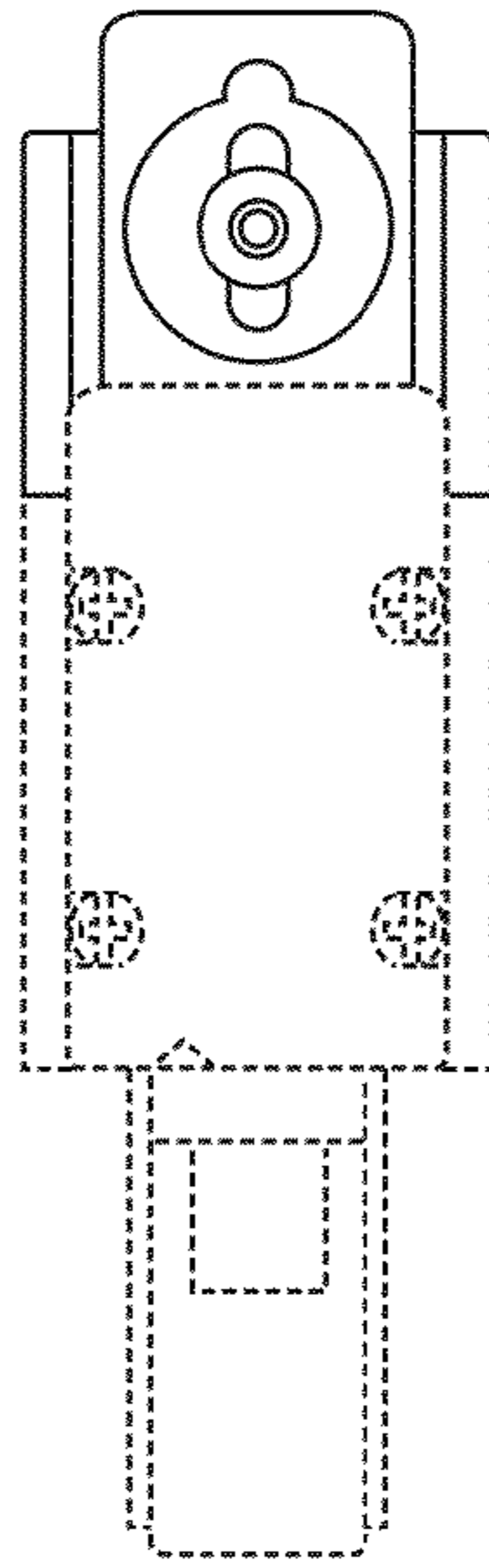


FIG. 4

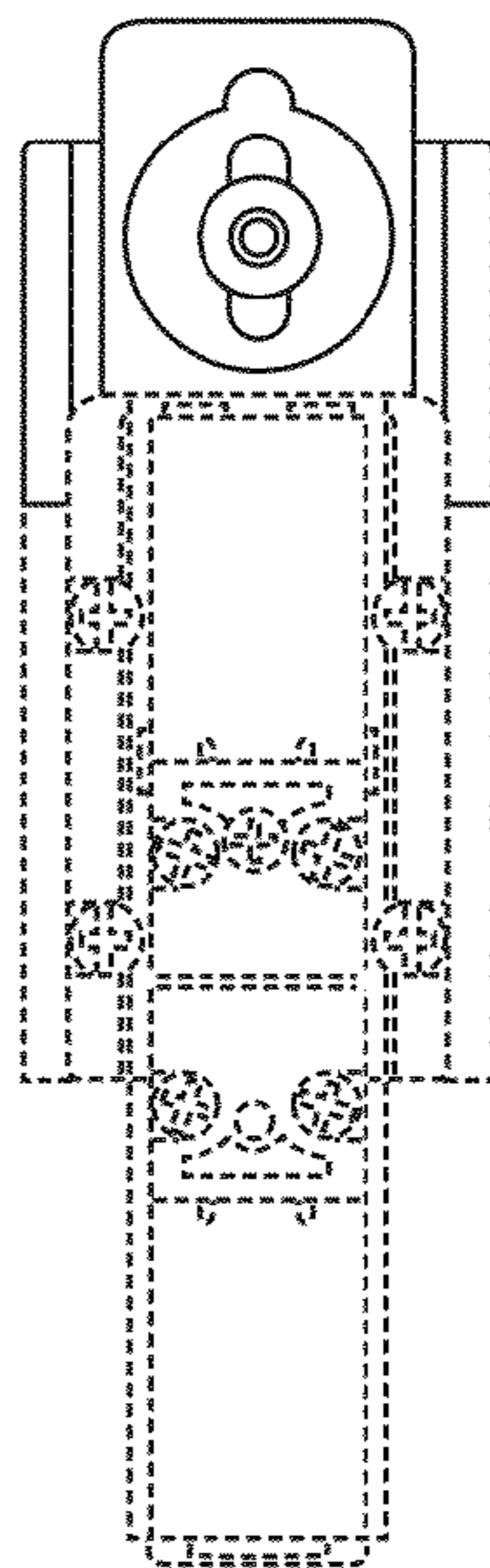


FIG. 5

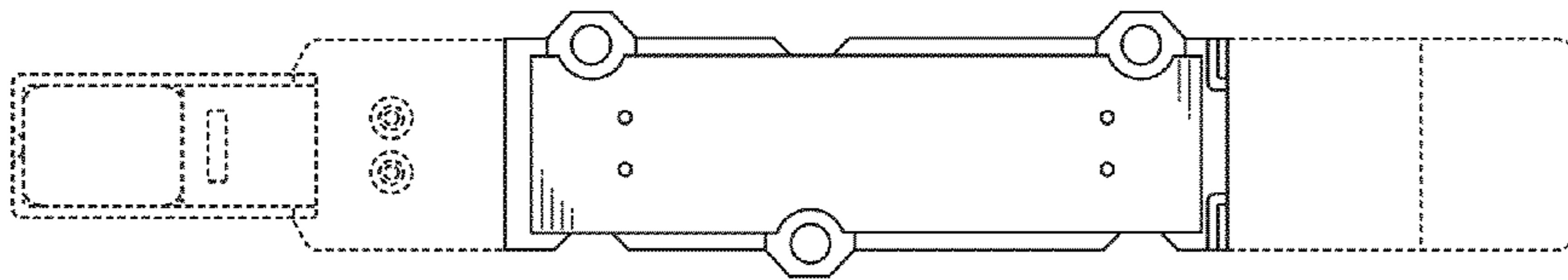


FIG. 6

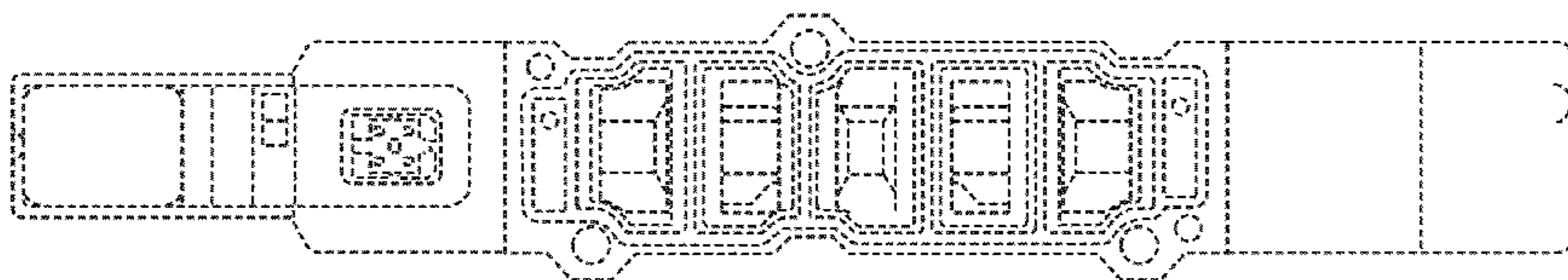


FIG. 7

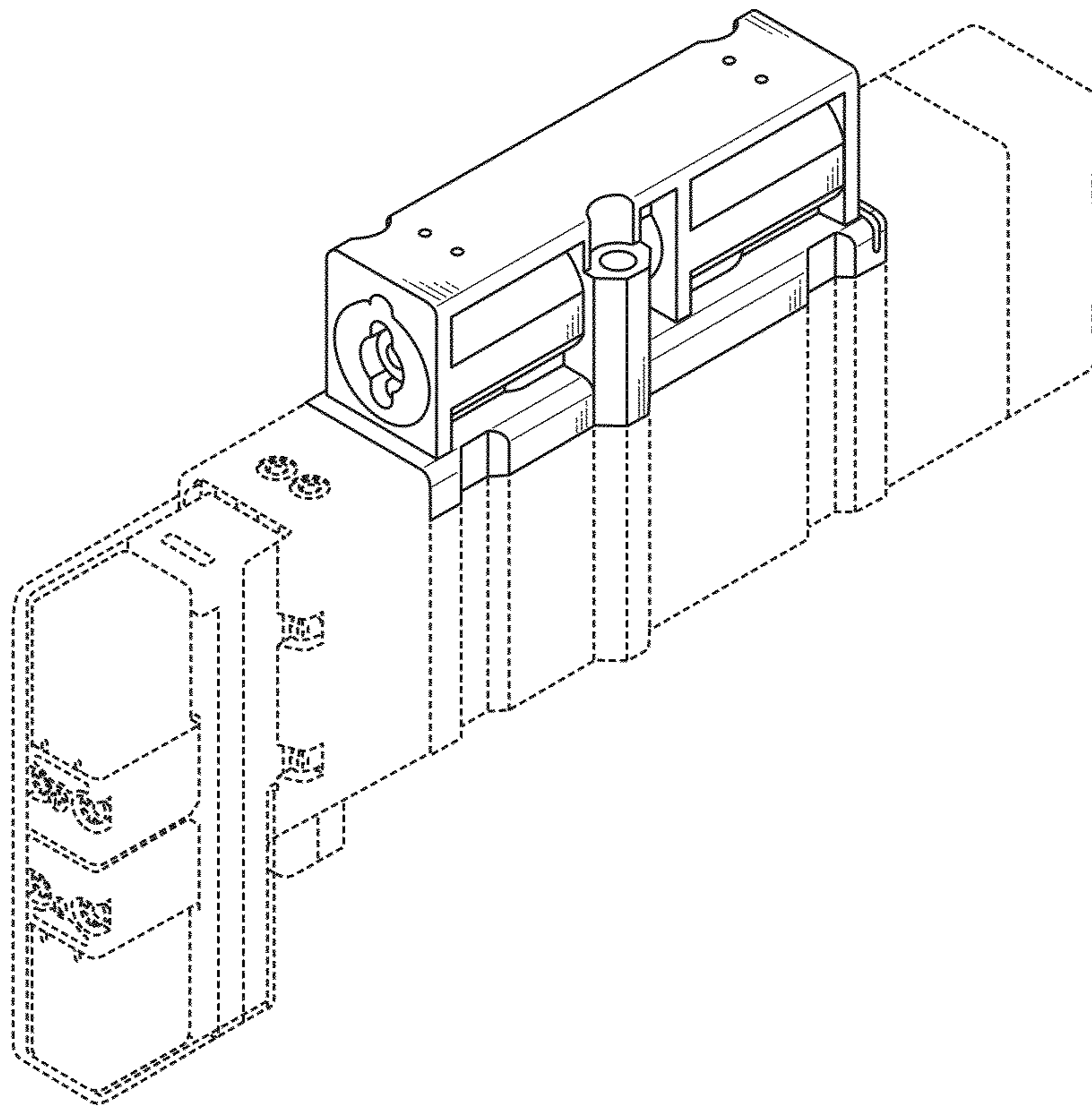


FIG. 8

