

US00D721161S

(12) **United States Design Patent**
Yam

(10) **Patent No.:** **US D721,161 S**

(45) **Date of Patent:** **** Jan. 13, 2015**

(54) **SPRAYER**

(71) Applicant: **Ip Hung Yam**, Burnaby (CA)

(72) Inventor: **Ip Hung Yam**, Burnaby (CA)

(**) Term: **14 Years**

(21) Appl. No.: **29/467,925**

(22) Filed: **Sep. 25, 2013**

(51) **LOC (10) Cl.** **23-01**

(52) **U.S. Cl.**
USPC **D23/225**

(58) **Field of Classification Search**
CPC B05B 9/04; B05B 9/08
USPC D23/213, 202, 225; 239/152-154,
239/DIG. 14, 332-3; 222/465.1, 383.1

See application file for complete search history.

(56) **References Cited**

U.S. PATENT DOCUMENTS

7,854,396 B2 *	12/2010	Wu	239/152
7,913,932 B2 *	3/2011	Wu	239/288.5
D649,624 S *	11/2011	Hudson et al.	D23/225
D670,787 S *	11/2012	Kang et al.	D23/225

* cited by examiner

Primary Examiner — Robin V Webster

(74) *Attorney, Agent, or Firm* — Muncy, Geissler, Olds & Lowe, P.C.

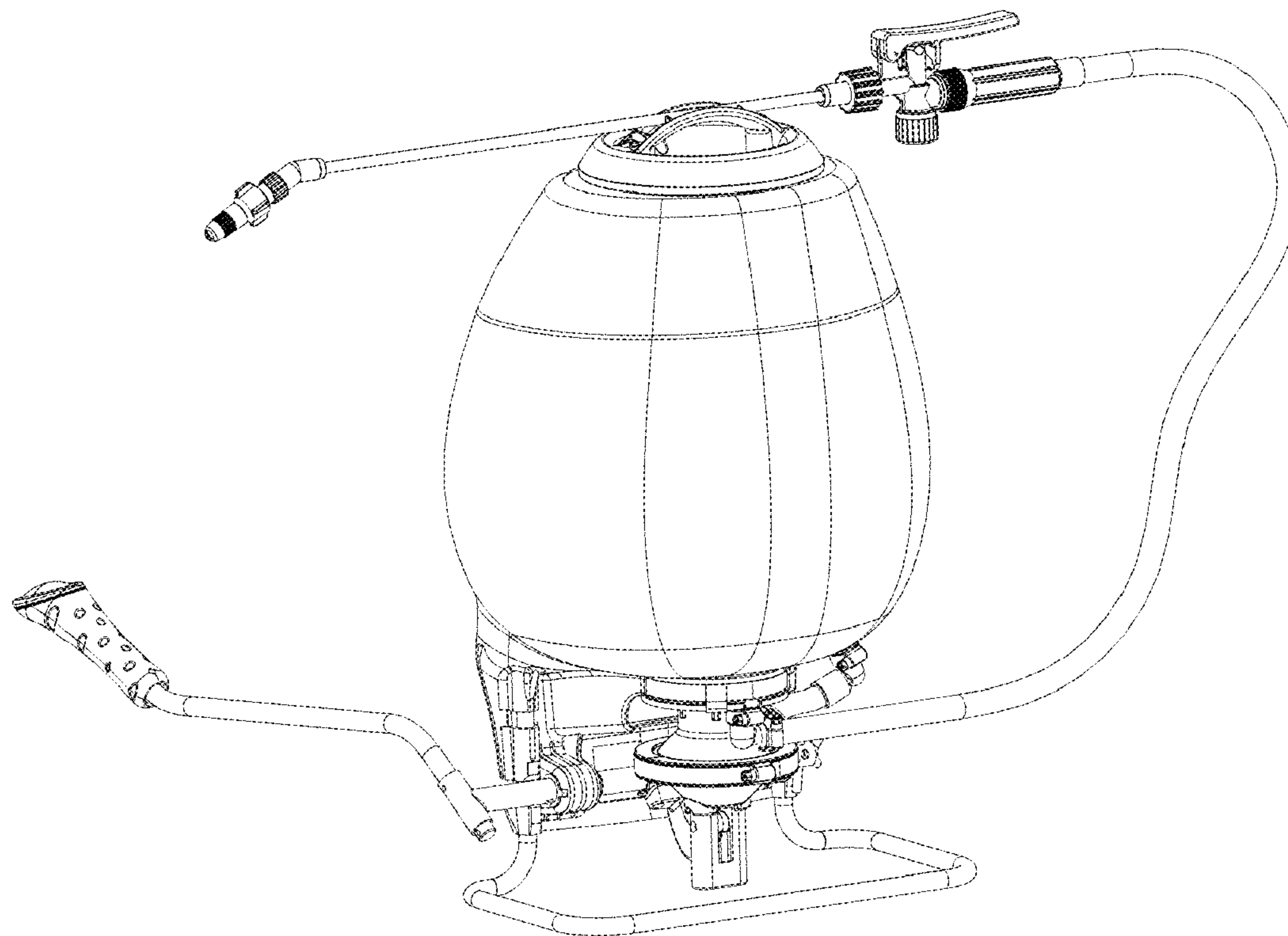
(57) **CLAIM**

The ornamental design for a sprayer, as shown and described.

DESCRIPTION

FIG. 1 is a front view of a sprayer showing my new design;
FIG. 2 is a rear view thereof;
FIG. 3 is a left view thereof;
FIG. 4 is a right view thereof;
FIG. 5 is a top view thereof;
FIG. 6 is a bottom view thereof; and,
FIG. 7 is a perspective view thereof.

1 Claim, 7 Drawing Sheets



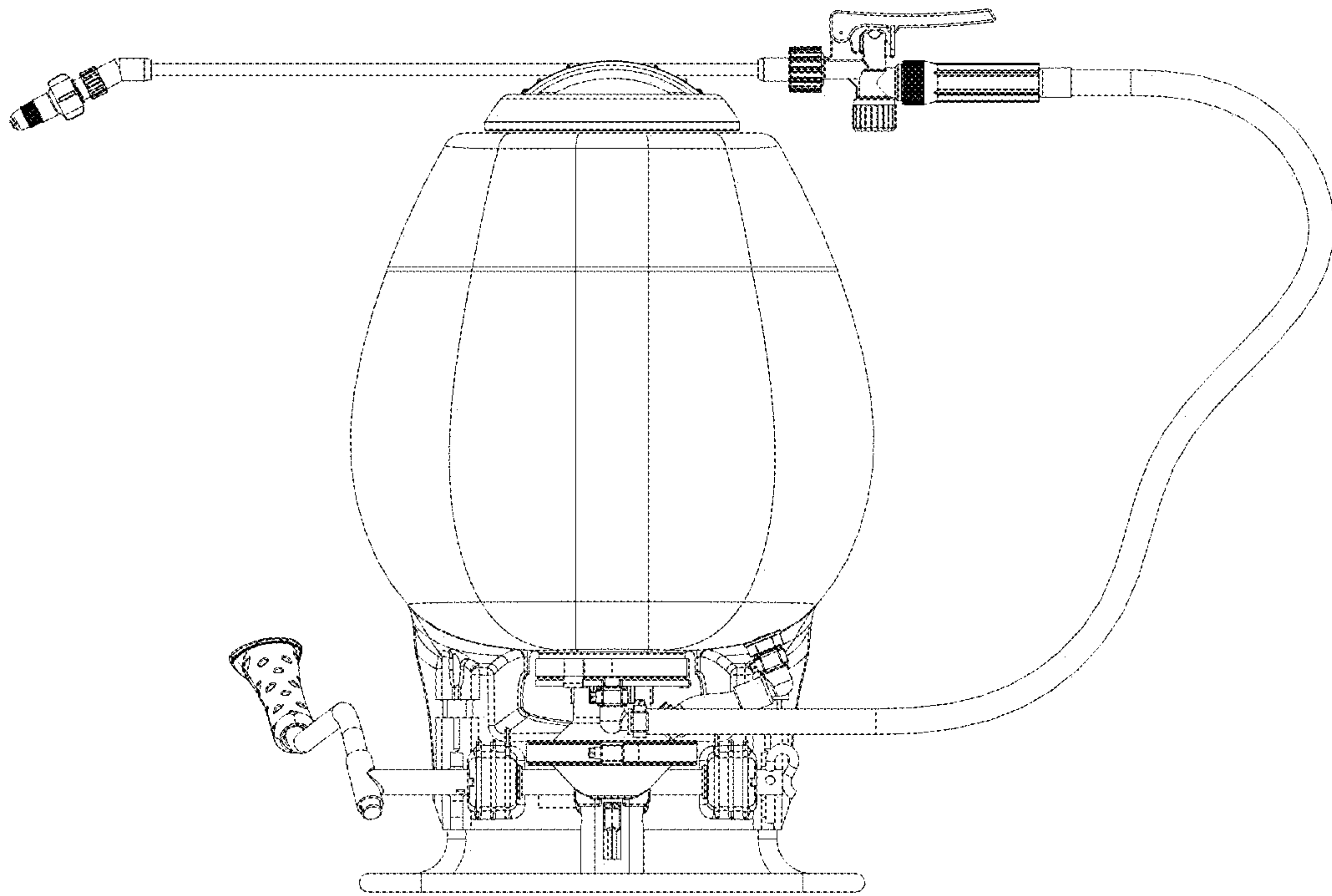


Fig.1

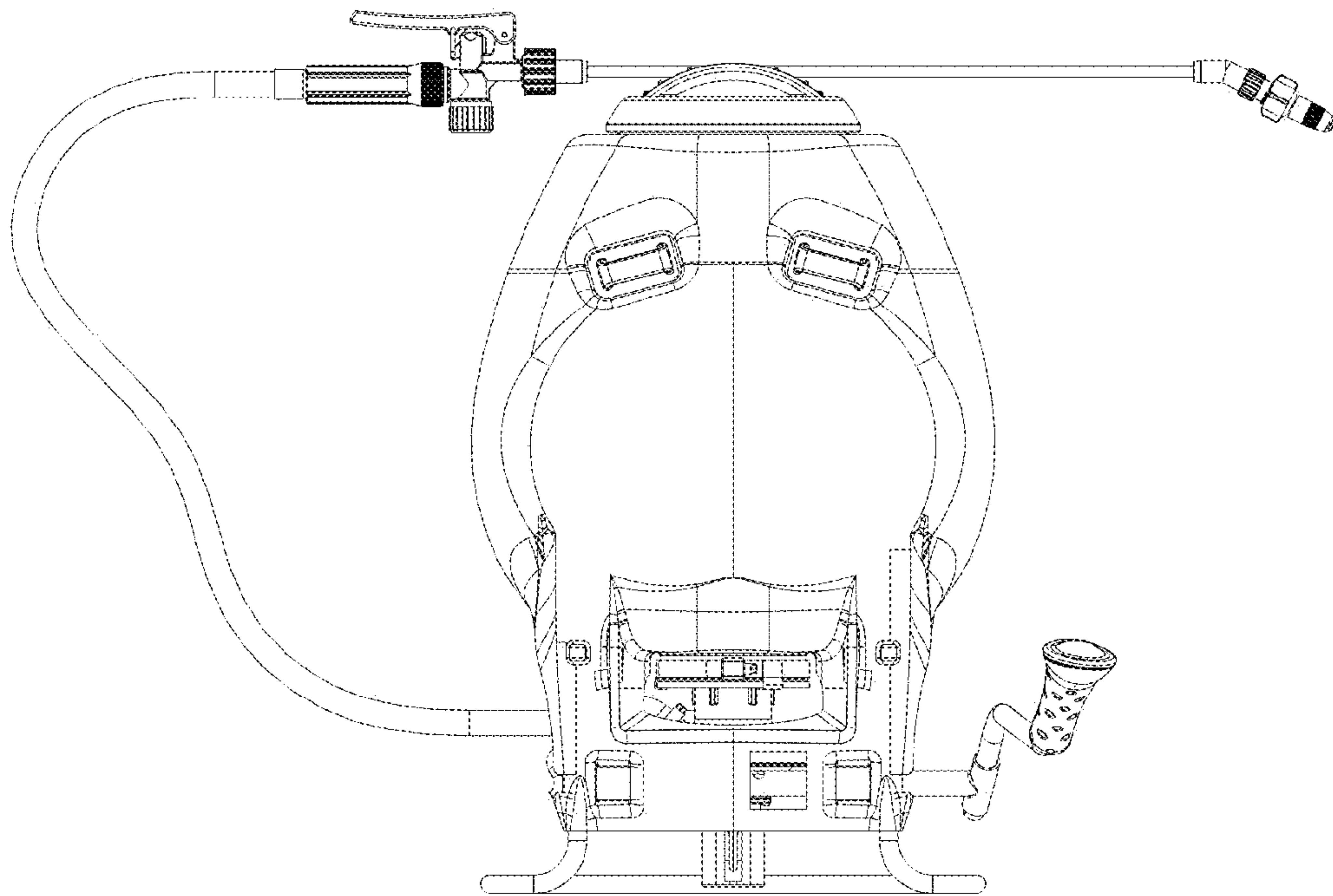


Fig. 2

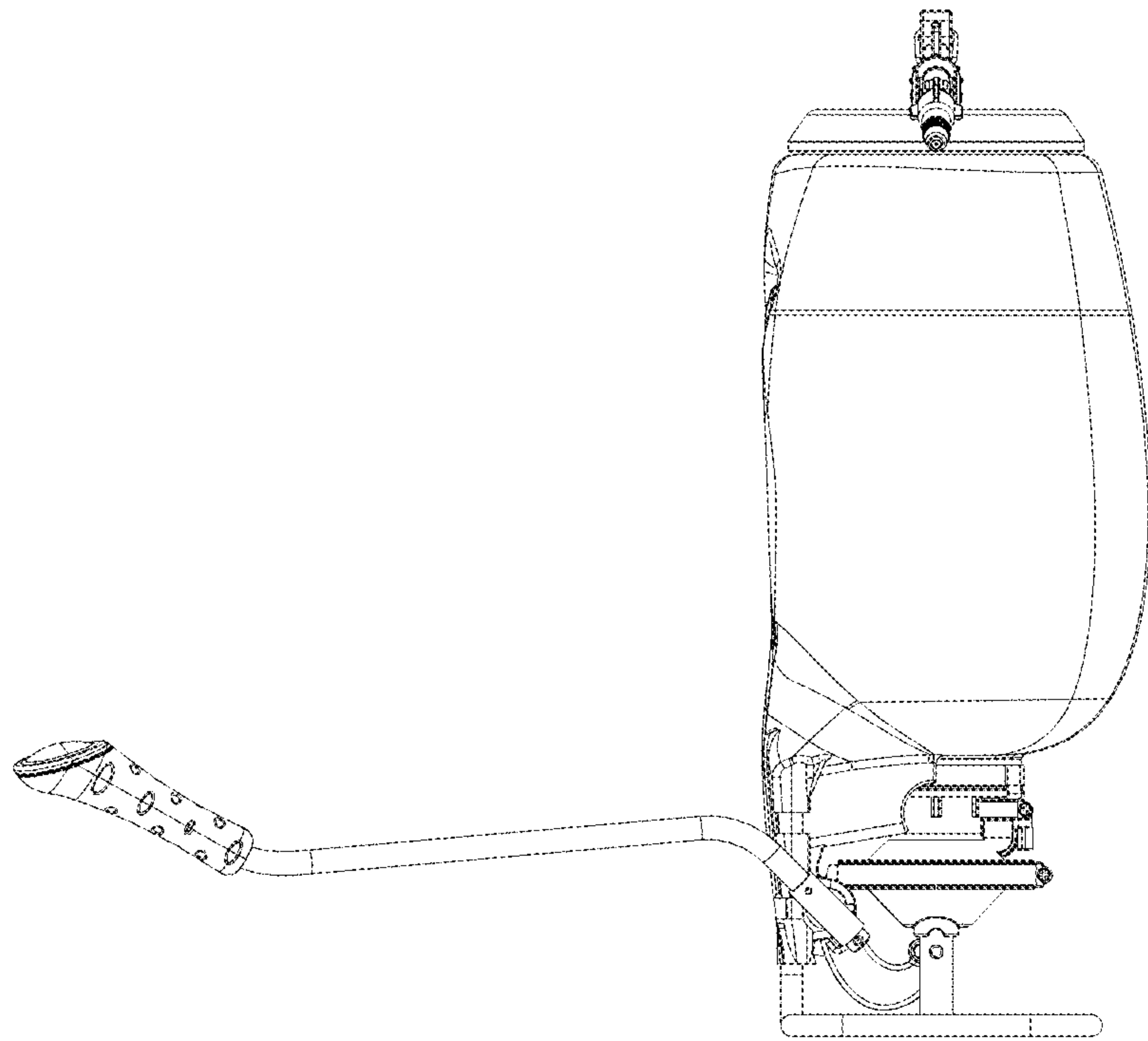


Fig.3

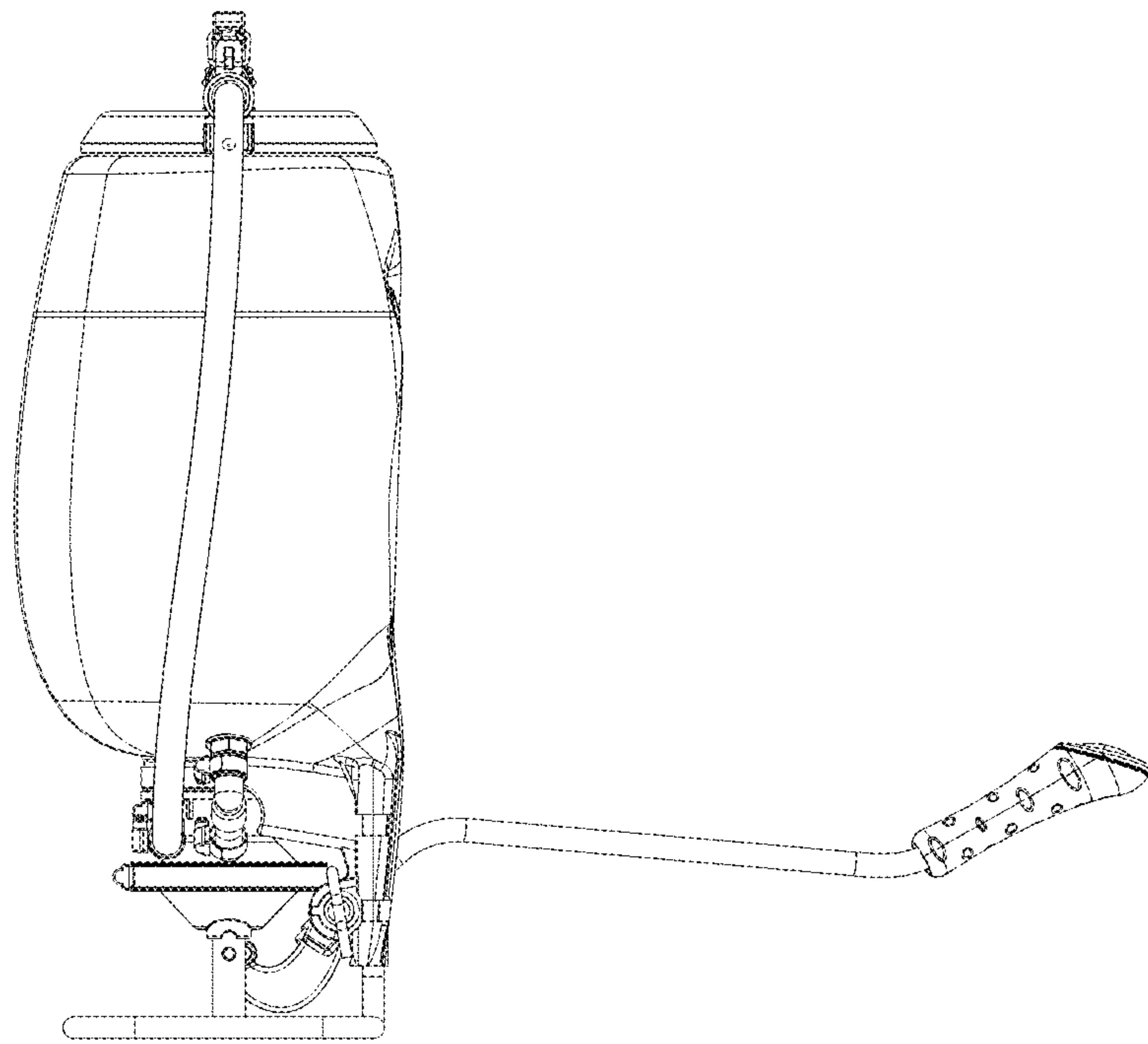


Fig. 4

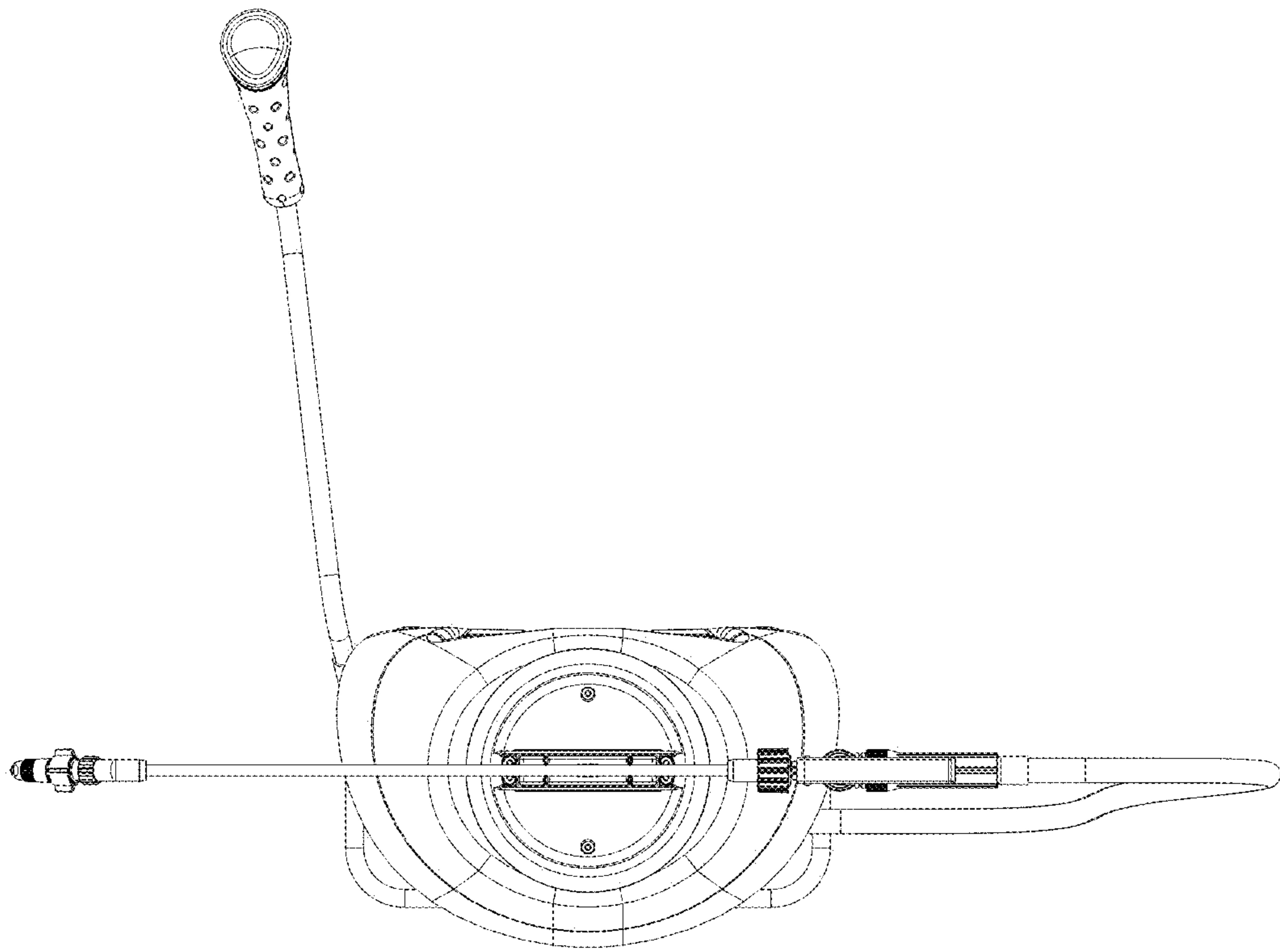


Fig. 5

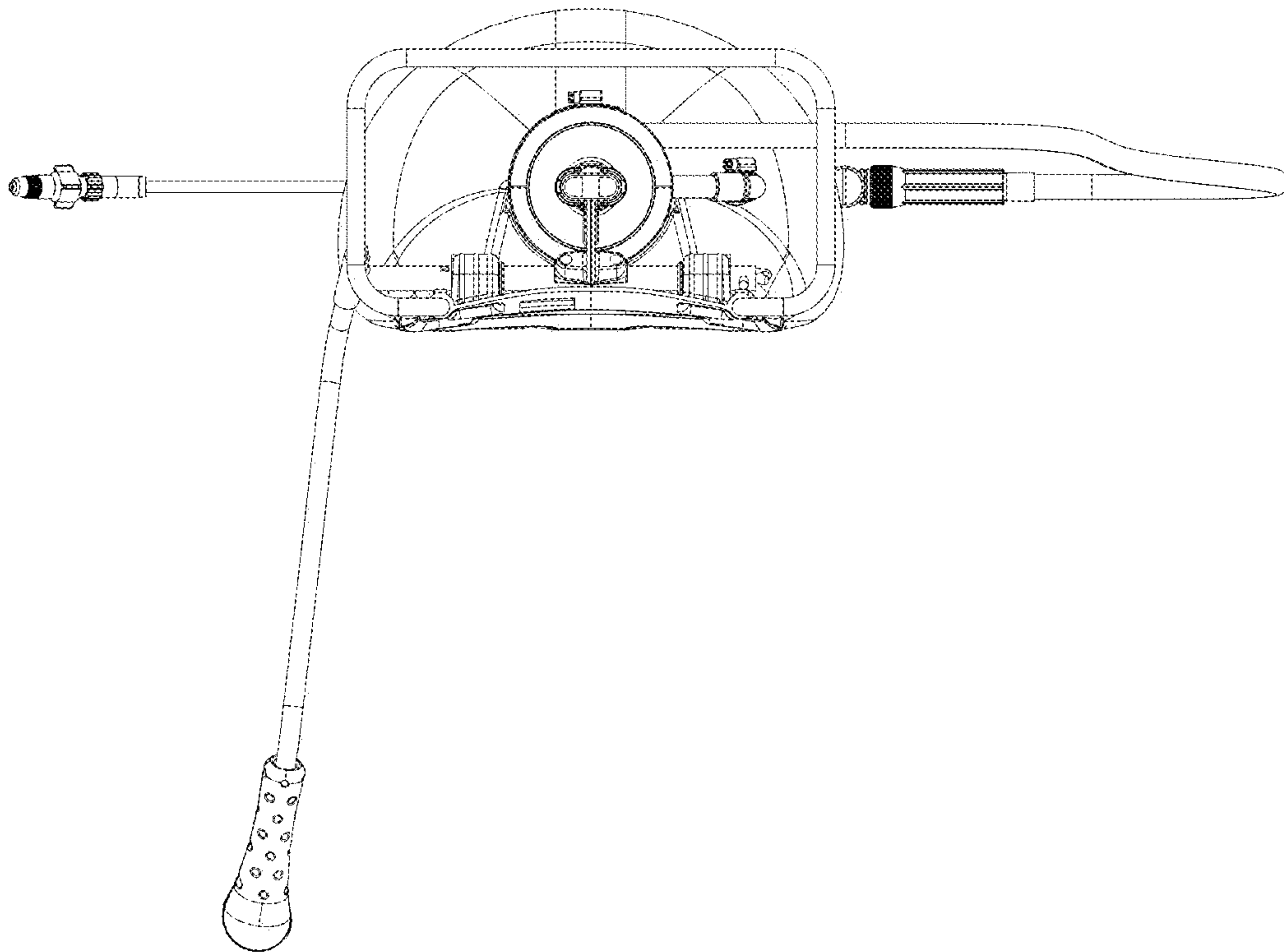


Fig. 6

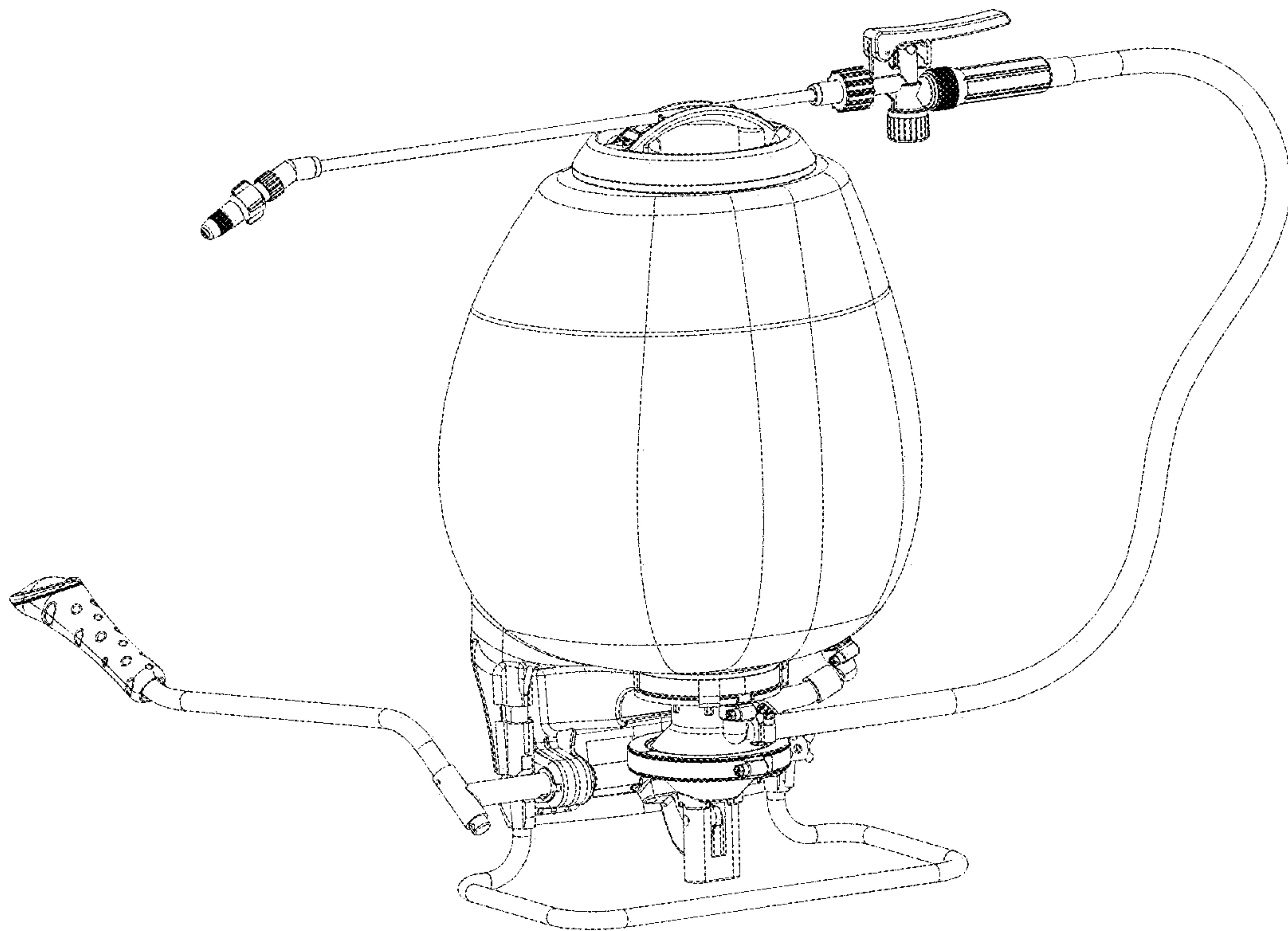


Fig. 7