



US00D721160S

(12) **United States Design Patent**
O’Rielly et al.

(10) **Patent No.:** **US D721,160 S**
(45) **Date of Patent:** **** Jan. 13, 2015**

(54) **LIQUID TANK**

(71) Applicants: **Leighton James O’Rielly**, Kallista (AU); **Ian Stanley Wong**, Beaumaris (AU)

(72) Inventors: **Leighton James O’Rielly**, Kallista (AU); **Ian Stanley Wong**, Beaumaris (AU)

(73) Assignee: **Silvan Australia Pty Ltd**, Dandenong South (AU)

(**) Term: **14 Years**

(21) Appl. No.: **29/468,751**

(22) Filed: **Oct. 2, 2013**

(51) **LOC (10) Cl.** **23-01**

(52) **U.S. Cl.**
USPC **D23/202**

(58) **Field of Classification Search**
USPC **D23/202–204; 220/581, 582, 587, 565, 220/905; 210/532.2**

See application file for complete search history.

(56) **References Cited**

U.S. PATENT DOCUMENTS

D356,851	S	*	3/1995	Holmstadt et al.	D23/202
D490,138	S	*	5/2004	Fritz	D23/202
7,144,506	B2	*	12/2006	Lombardi, II	210/532.2
D692,093	S	*	10/2013	Pritchard	D23/202
8,789,714	B1	*	7/2014	Kruger et al.	220/4.13

* cited by examiner

Primary Examiner — Robin V Webster

(57) **CLAIM**

The ornamental design for liquid tank, as shown.

DESCRIPTION

FIG. 1 is a top, front isometric view of a liquid tank showing our new design;

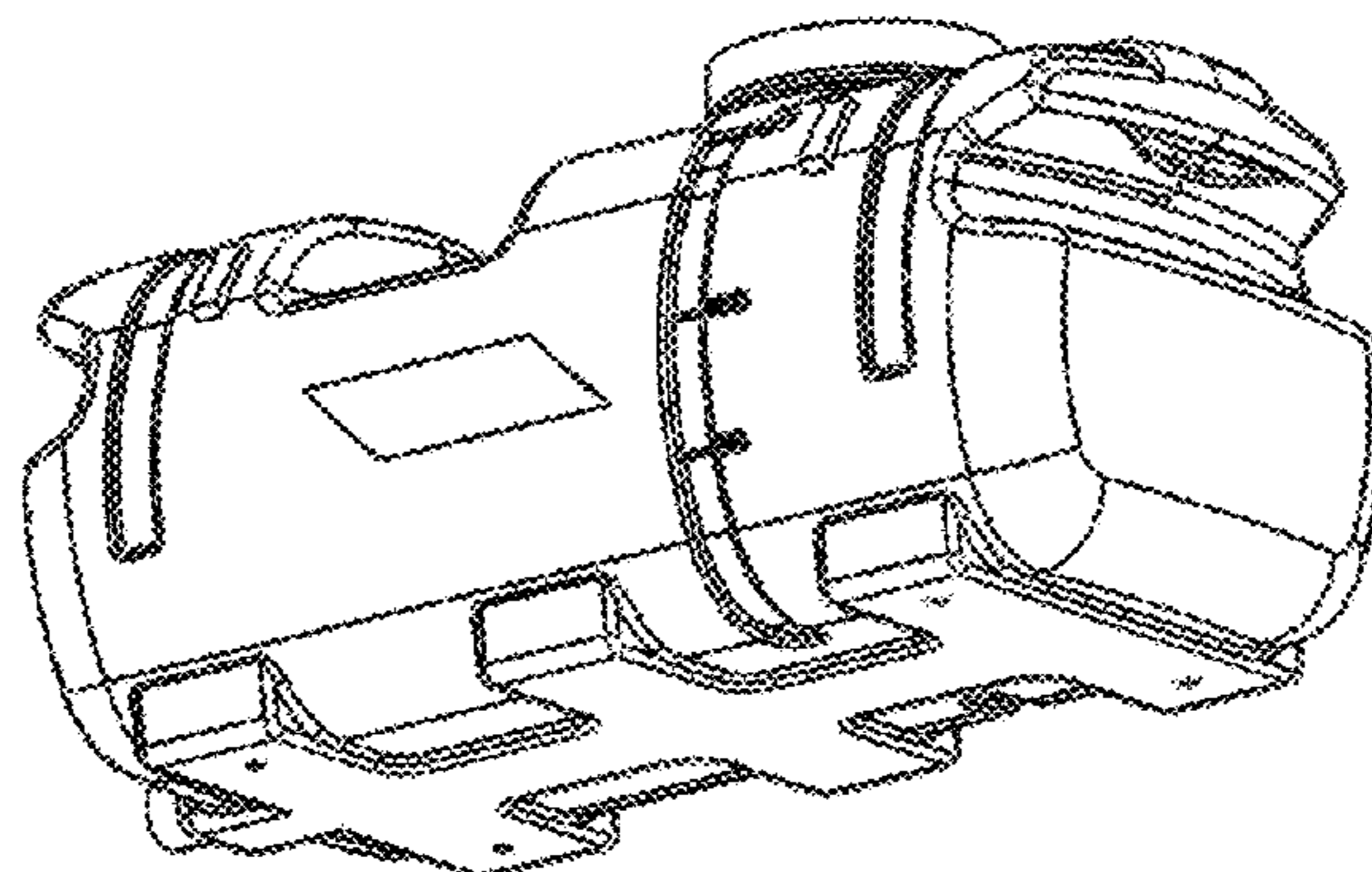
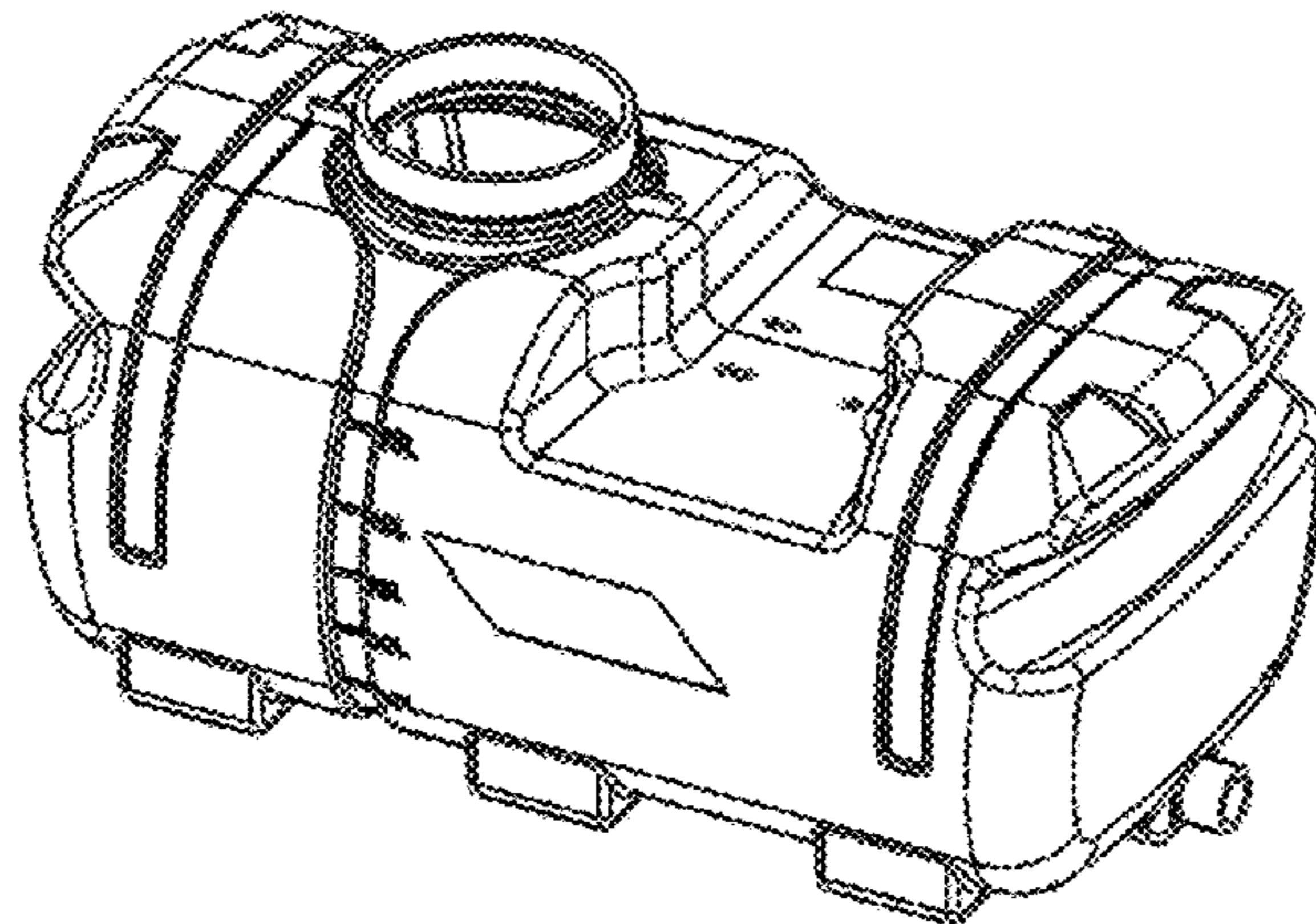
FIG. 2 is a bottom, rear isometric view thereof;

FIG. 3 is a top view thereof;

FIG. 4 is a front view thereof; and,

FIG. 5 is a side view thereof.

1 Claim, 1 Drawing Sheet



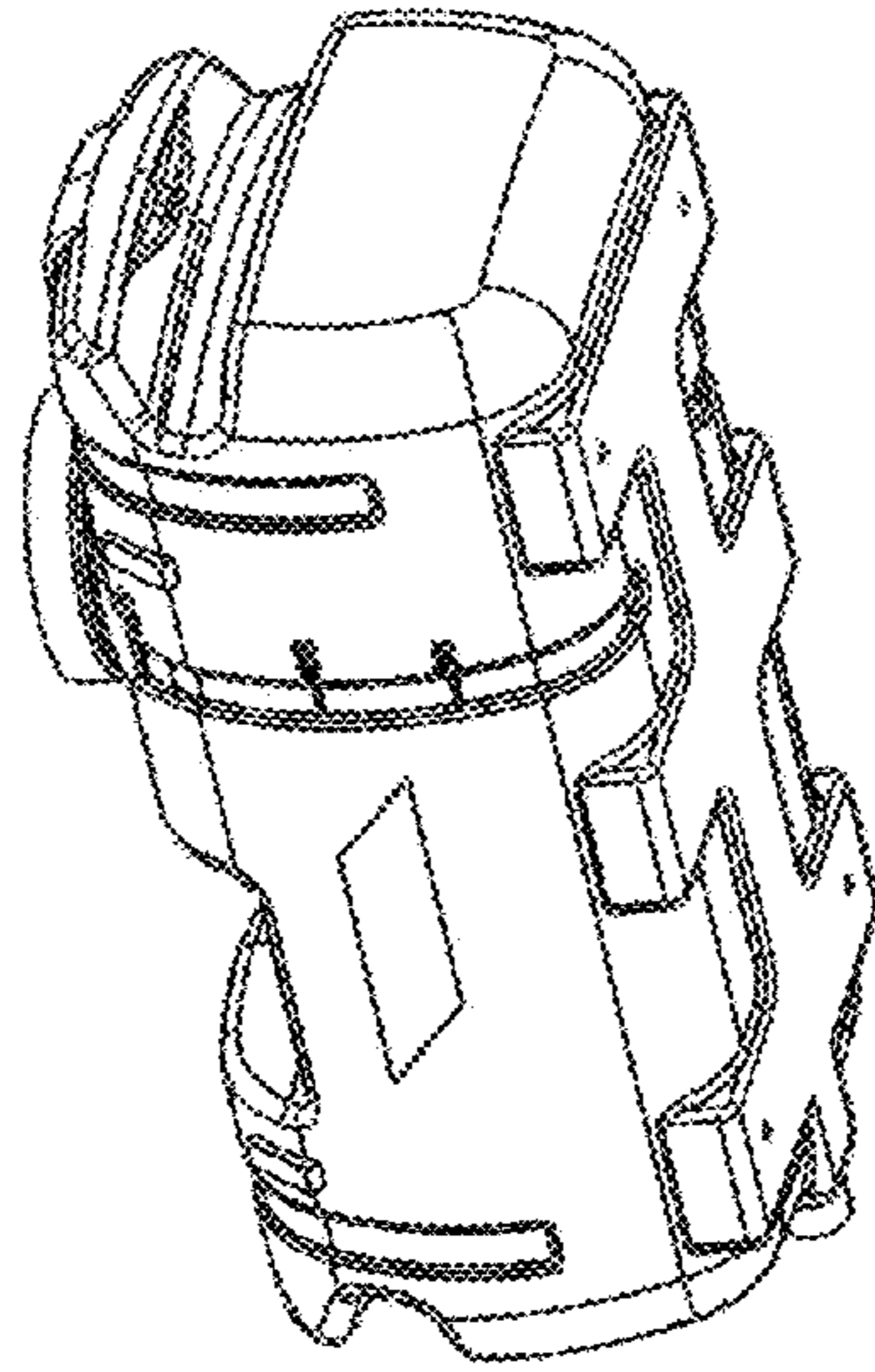


FIG. 2

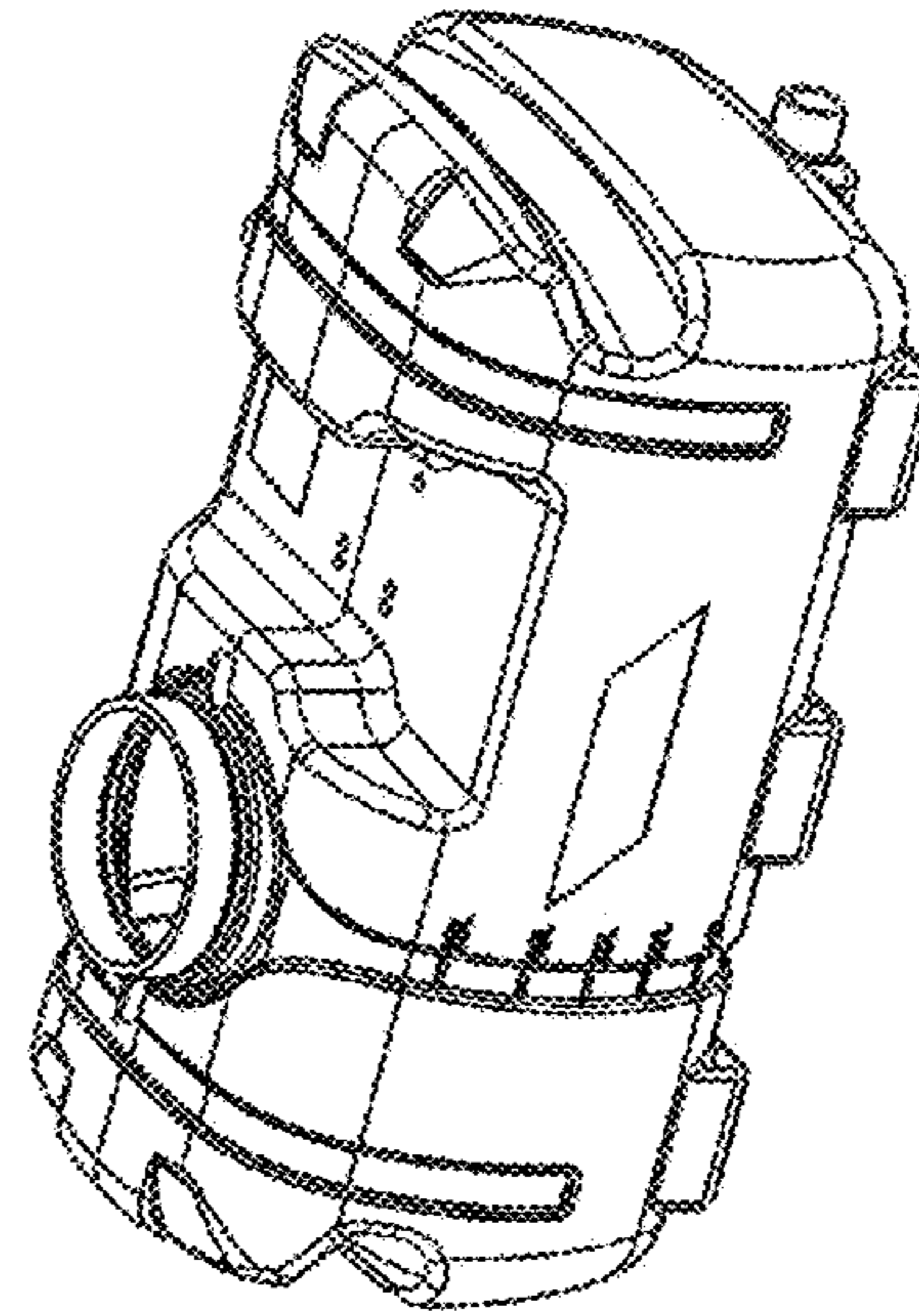


FIG. 1

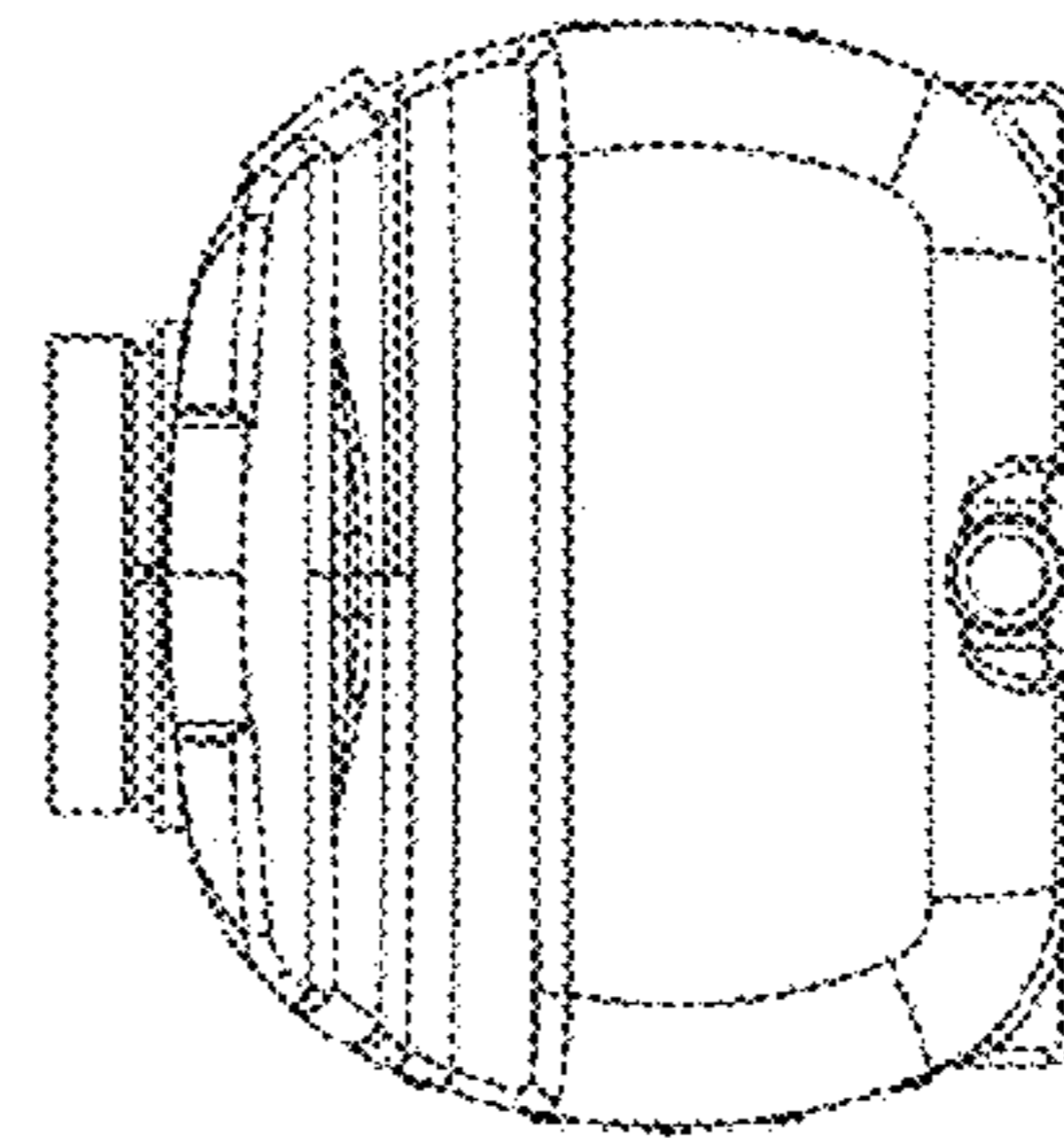


FIG. 5

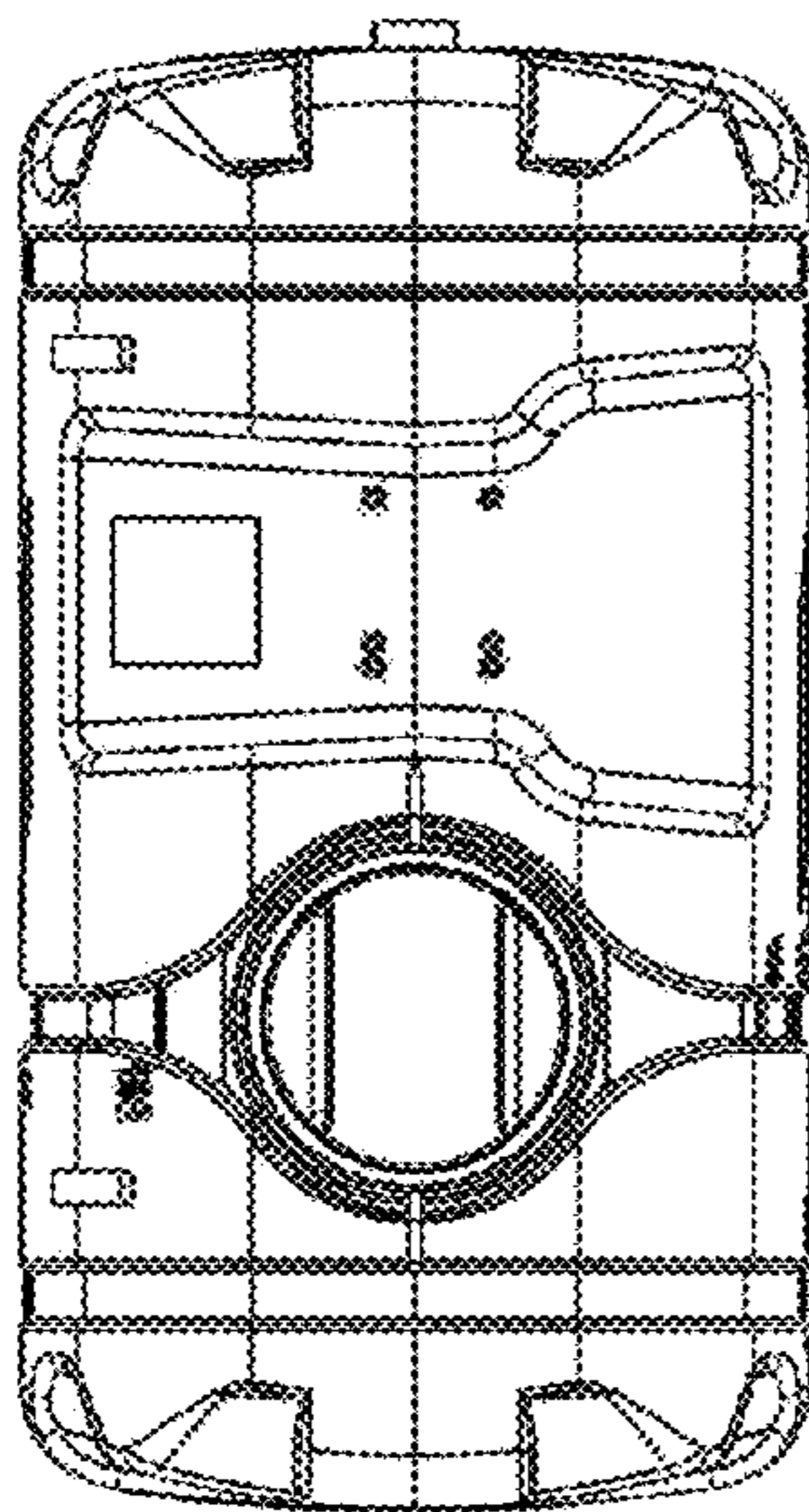


FIG. 3

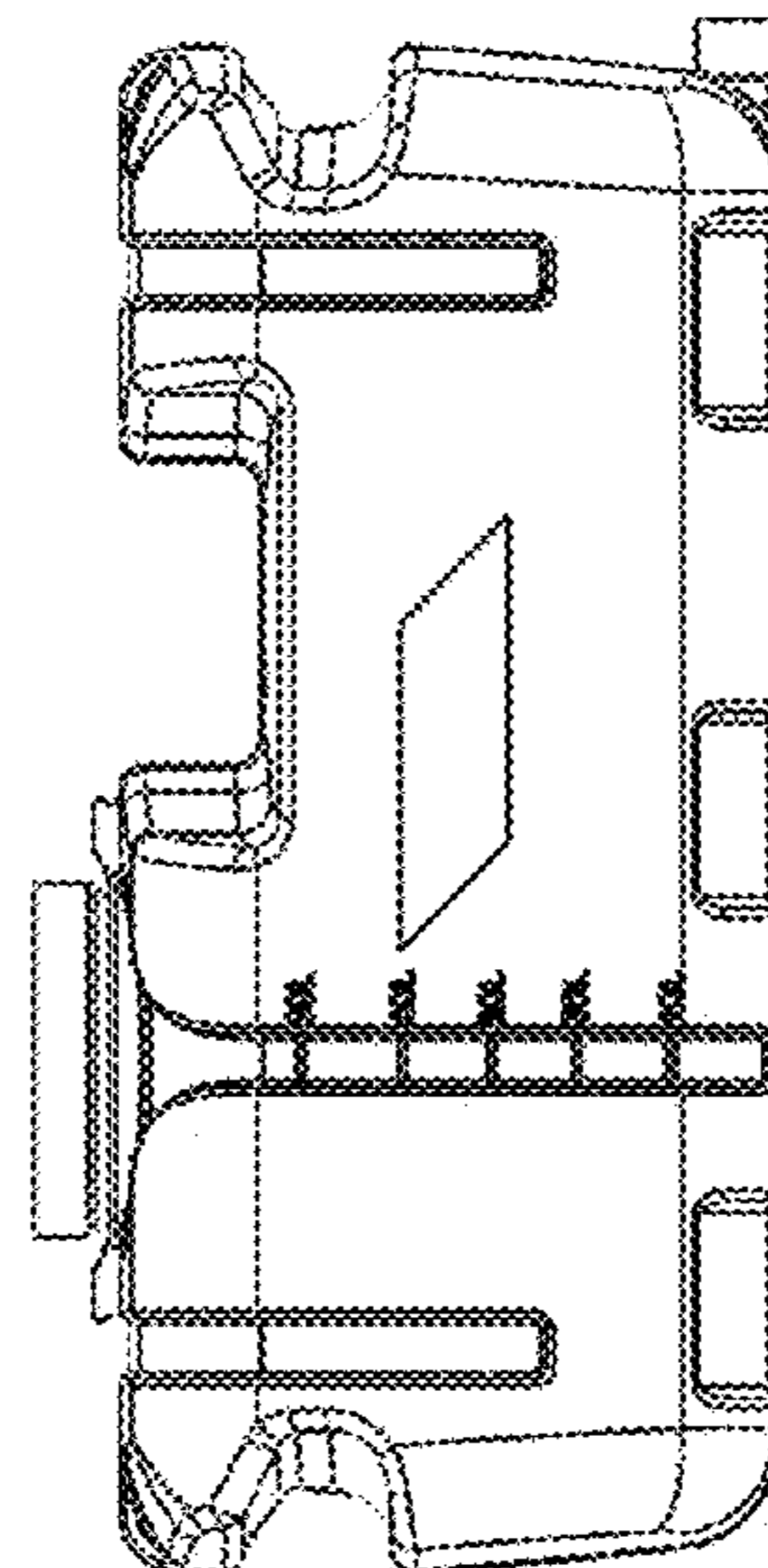


FIG. 4