

US00D721159S

(12) **United States Design Patent**  
**Reneau**

(10) **Patent No.:** **US D721,159 S**  
(45) **Date of Patent:** **\*\* Jan. 13, 2015**

- (54) **EQUIPMENT SUPPORT**
- (71) Applicant: **Raymond Paul Reneau**, San Antonio, TX (US)
- (72) Inventor: **Raymond Paul Reneau**, San Antonio, TX (US)
- (\*\*) Term: **14 Years**
- (21) Appl. No.: **29/442,938**
- (22) Filed: **Jun. 14, 2013**
- (51) **LOC (10) Cl.** ..... **22-99**
- (52) **U.S. Cl.**  
USPC ..... **D22/199; D22/108**
- (58) **Field of Classification Search**  
CPC ..... B25H 1/00; B25H 1/02; B25H 1/040007;  
B25H 1/0021; B25H 1/0042; B25H 1/005;  
B25H 1/2484  
USPC ..... D22/199; D8/373, 380; D15/140-141;  
248/121, 125.9, 126-127; 211/26.2,  
211/134-153  
See application file for complete search history.

6,148,881 A 11/2000 Valenzuela  
 D455,252 S 4/2002 Hagans, III et al.  
 6,394,402 B2 \* 5/2002 Coonan et al. .... 248/123.11  
 6,796,536 B1 \* 9/2004 Sevier, IV ..... 248/121  
 7,232,120 B2 6/2007 Campbell et al.

(Continued)

*Primary Examiner* — Michael A Pratt

(74) *Attorney, Agent, or Firm* — Guy McClung

(57) **CLAIM**

I claim the ornamental design for an equipment support, as shown and described.

**DESCRIPTION**

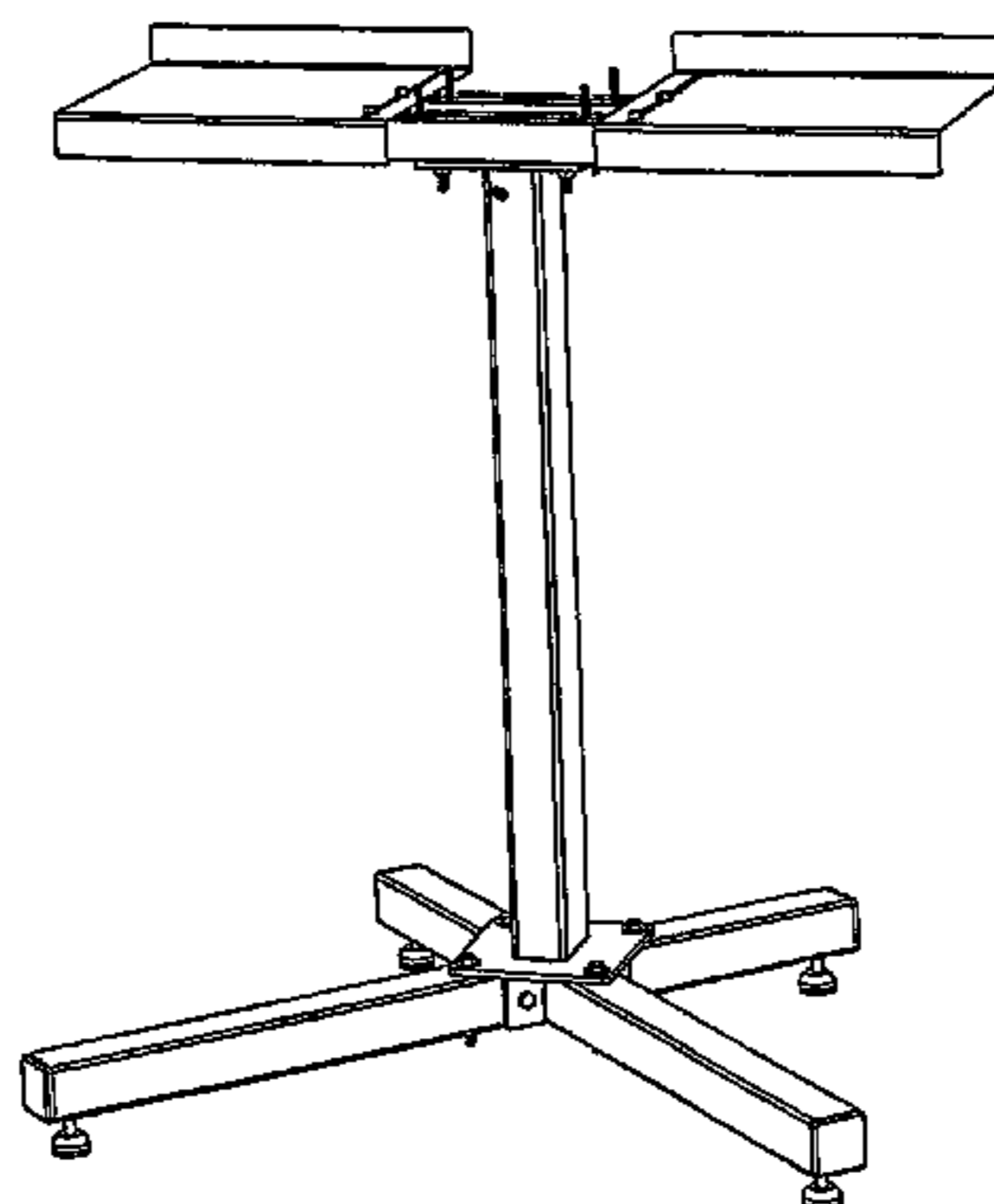
FIG. 1 is a perspective view of a first embodiment of a design for an equipment support according to the present invention; FIG. 2 is a top view thereof; FIG. 3 is a bottom view thereof; FIG. 4 is a front thereof; FIG. 5 is a rear view thereof; and, FIG. 6 is a right side view thereof. FIG. 7 is a left side view thereof. FIG. 8 is a perspective view of a second embodiment of a design for an equipment support according to the present invention; FIG. 9 is a top view thereof; FIG. 10 is a bottom view thereof; FIG. 11 is a front thereof; FIG. 12 is a rear view thereof; and, FIG. 13 is a right side view thereof. FIG. 14 is a left side view thereof. FIG. 15 is a perspective view of a third embodiment of a design for an equipment support according to the present invention; FIG. 16 is a top view thereof; FIG. 17 is a bottom view thereof; FIG. 18 is a front thereof; FIG. 19 is a rear view thereof; FIG. 20 is a right side view thereof; and, FIG. 21 is a left side view thereof.

(56) **References Cited**

U.S. PATENT DOCUMENTS

1,403,865	A *	1/1922	Pritchett et al. ....	74/105
3,323,405	A	6/1967	Thorp	
3,376,781	A	4/1968	Swanson	
4,039,064	A *	8/1977	Kirby .....	193/42
4,122,956	A *	10/1978	Hargrove .....	211/126.14
4,163,410	A	8/1979	Dillon	
D260,816	S *	9/1981	Zissimopoulos et al. ....	D24/128
D265,677	S	8/1982	O'Connell	
4,515,063	A	5/1985	Lee	
4,841,831	A	6/1989	Bender et al.	
D306,665	S	3/1990	Wright	
D340,108	S	10/1993	Spolar	
5,362,019	A *	11/1994	Swanson .....	248/146
5,458,305	A *	10/1995	Woodward .....	248/121
D367,032	S	2/1996	Fentress et al.	
D375,253	S	11/1996	Campbell	
D377,310	S	1/1997	Crump, Jr.	
5,772,162	A *	6/1998	Lin .....	248/121

**1 Claim, 6 Drawing Sheets**



# US D721,159 S

Page 2

---

(56)

## References Cited

### U.S. PATENT DOCUMENTS

2005/0263653 A1*	12/2005	Brown	.....	248/125.9
2011/0167986 A1*	7/2011	Hennessey	.....	84/453
2013/0059699 A1*	3/2013	Brenner	.....	482/83
D662,806 S *	7/2012	Shaw et al.	.....	D8/380

\* cited by examiner

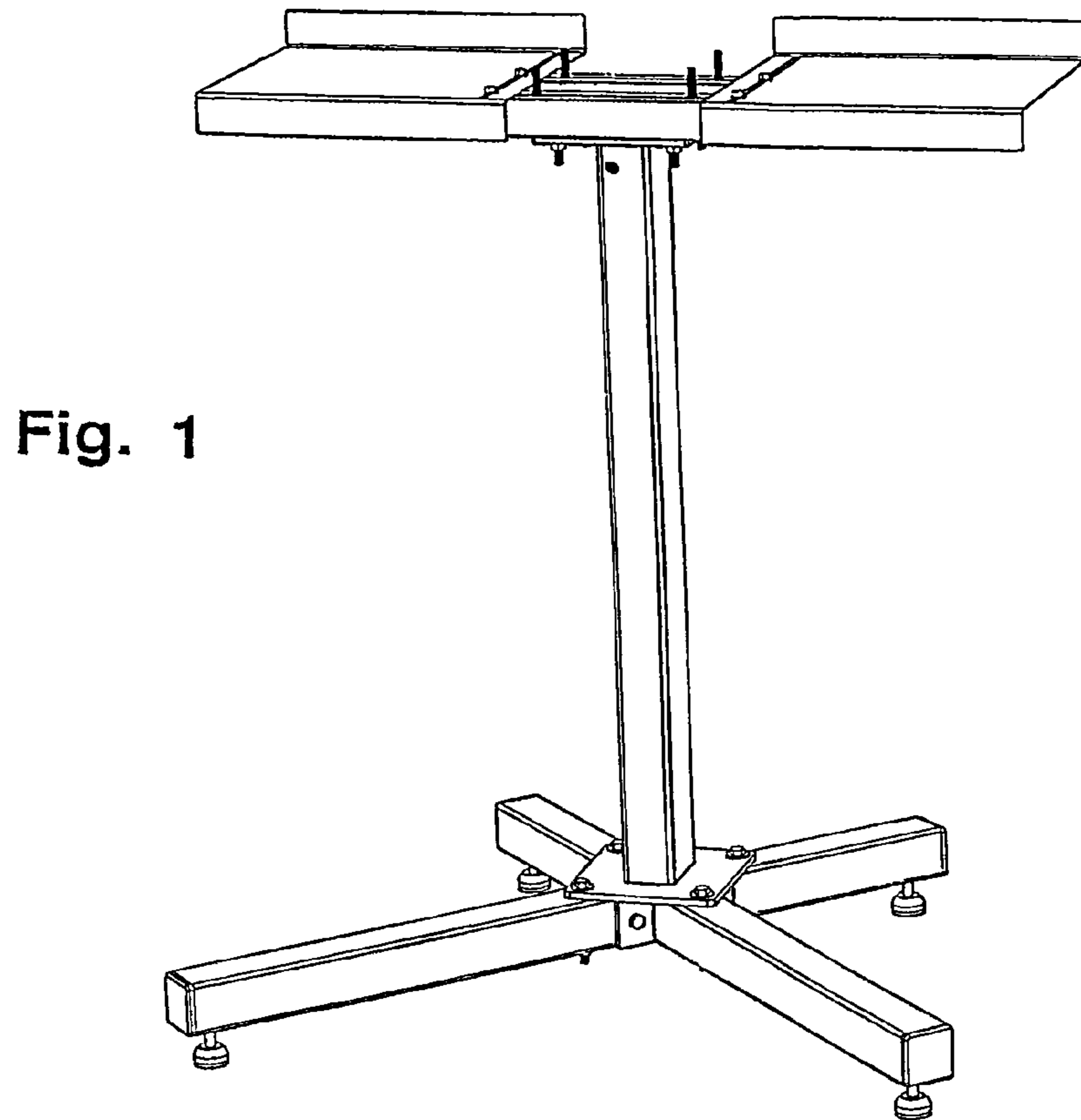


Fig. 1

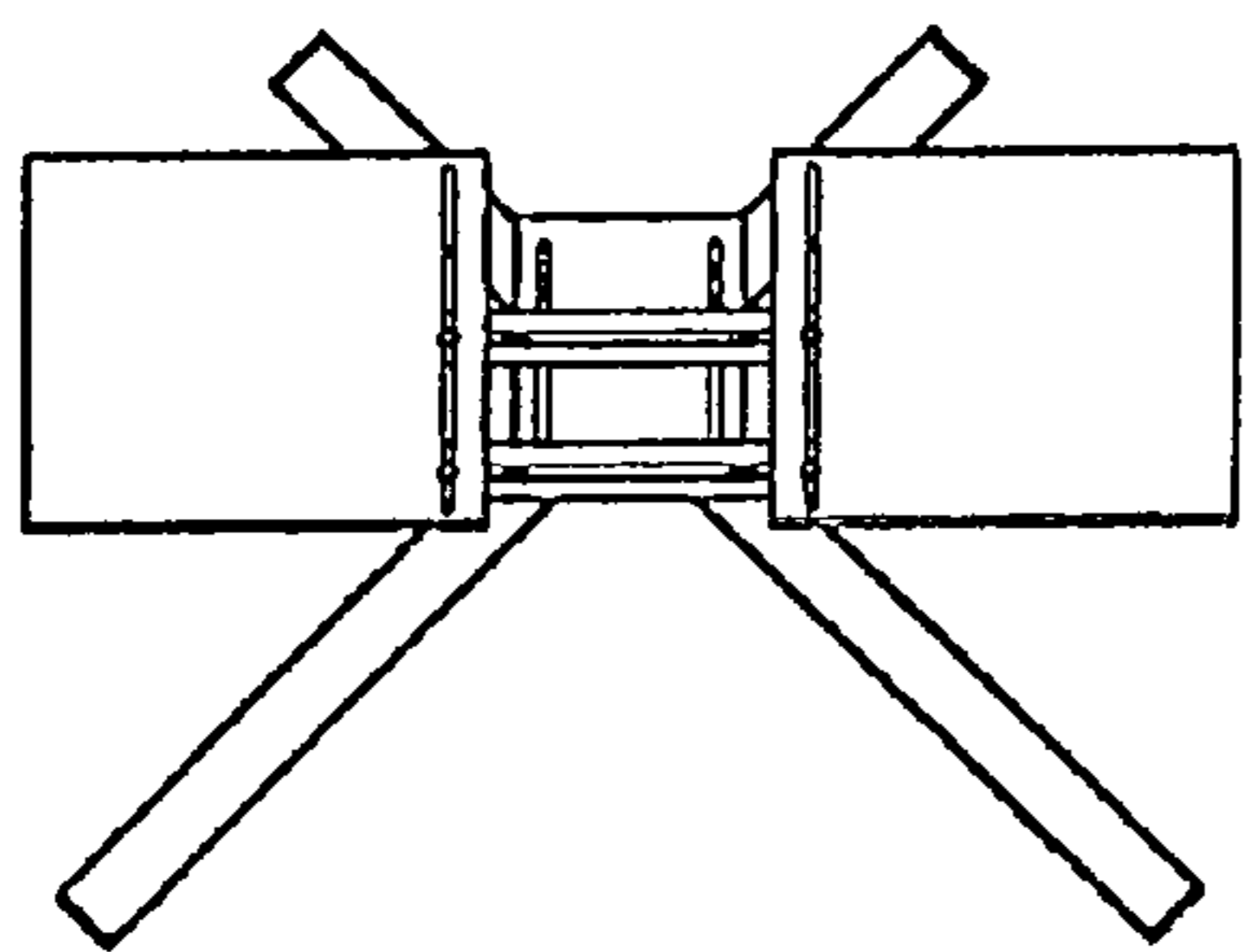


Fig. 2

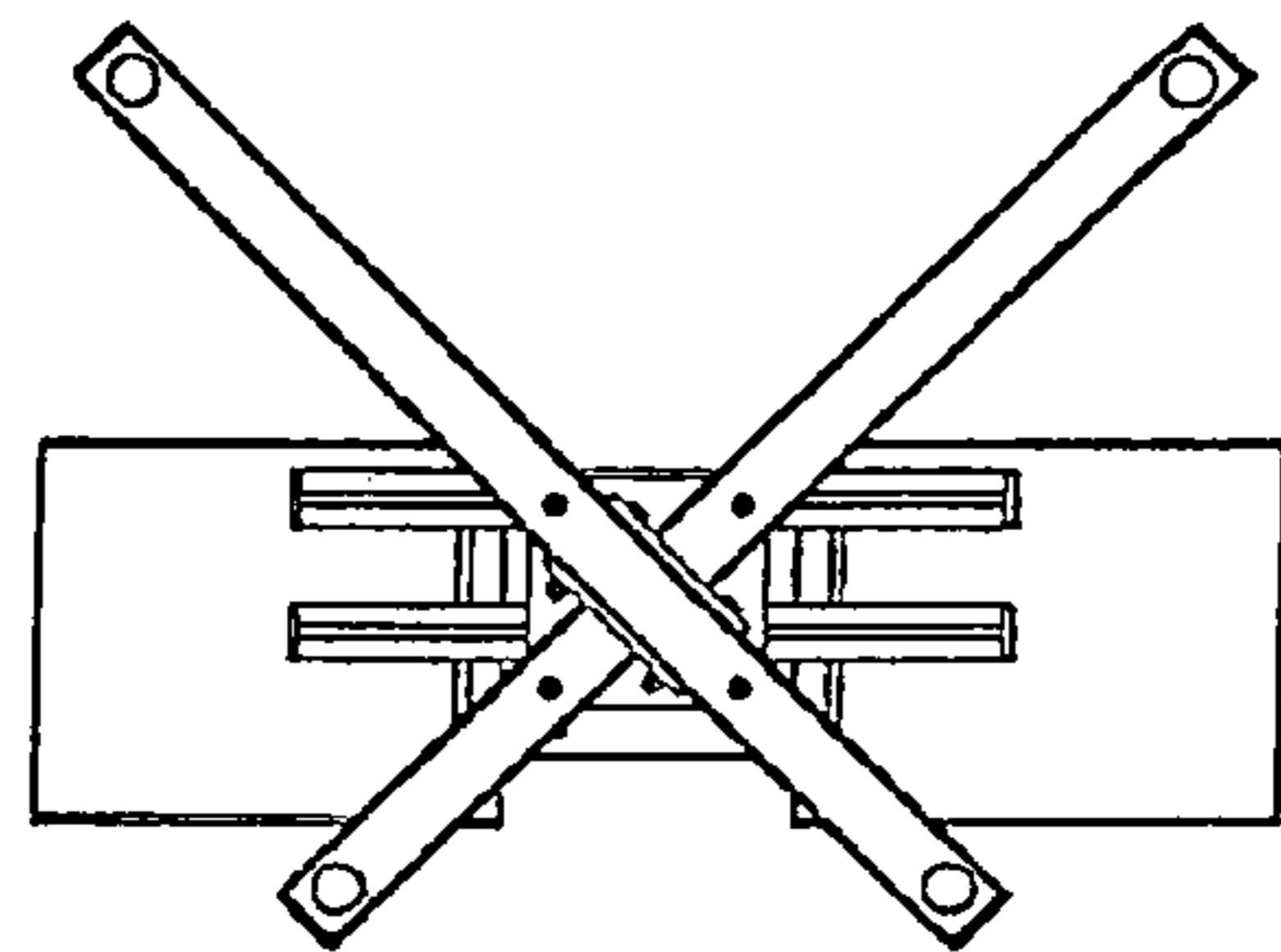


Fig. 3

Fig. 4

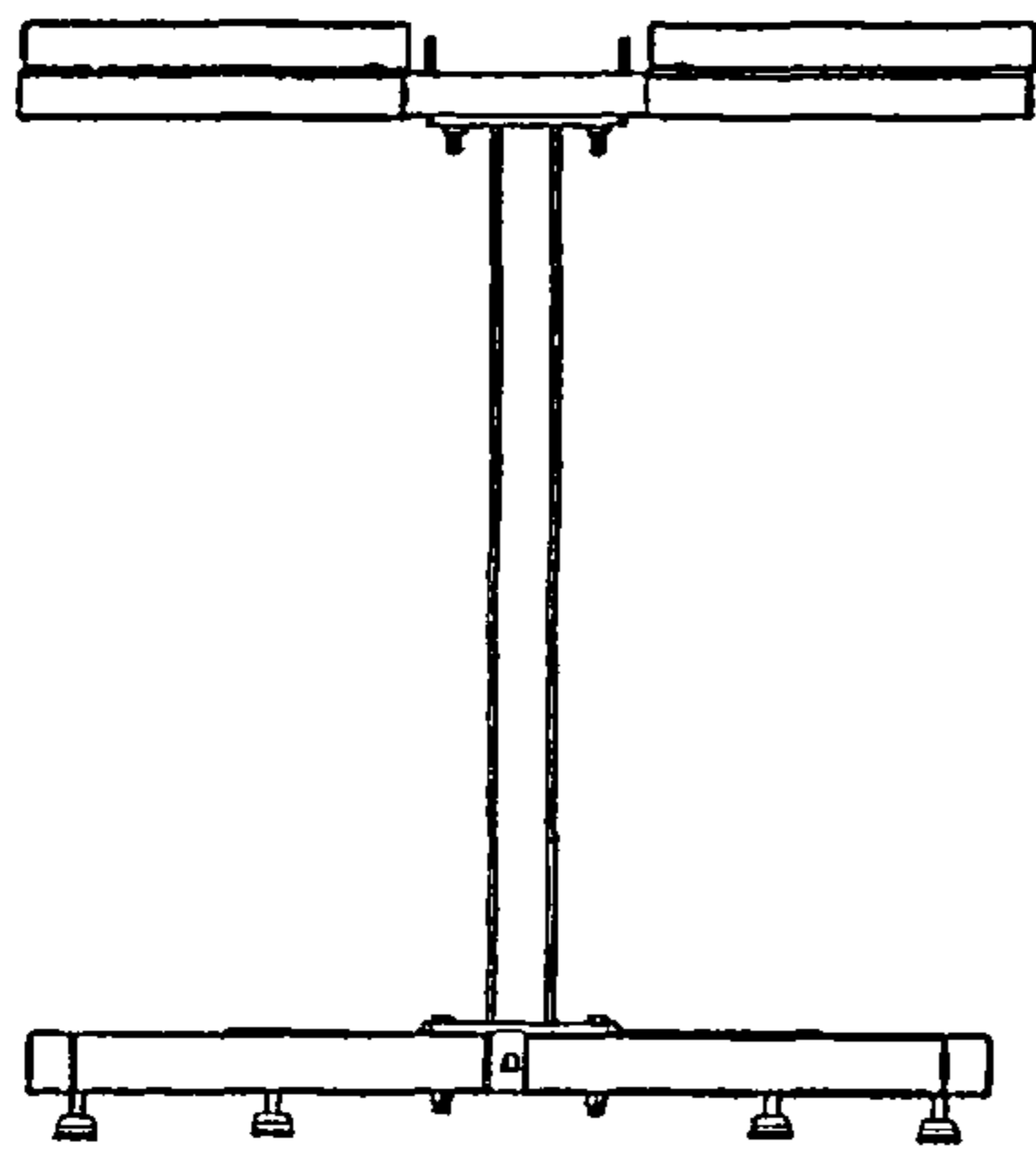


Fig. 5

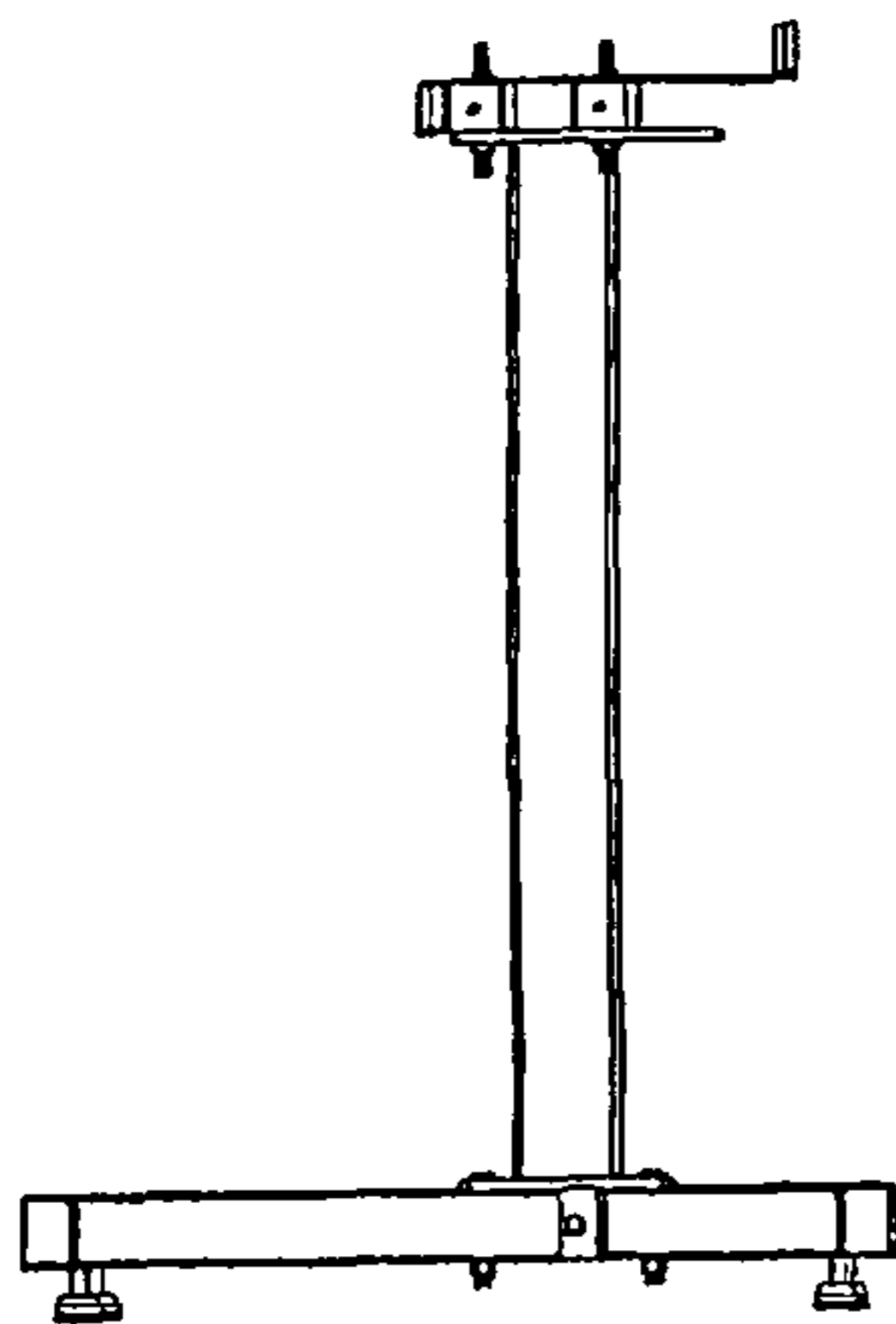
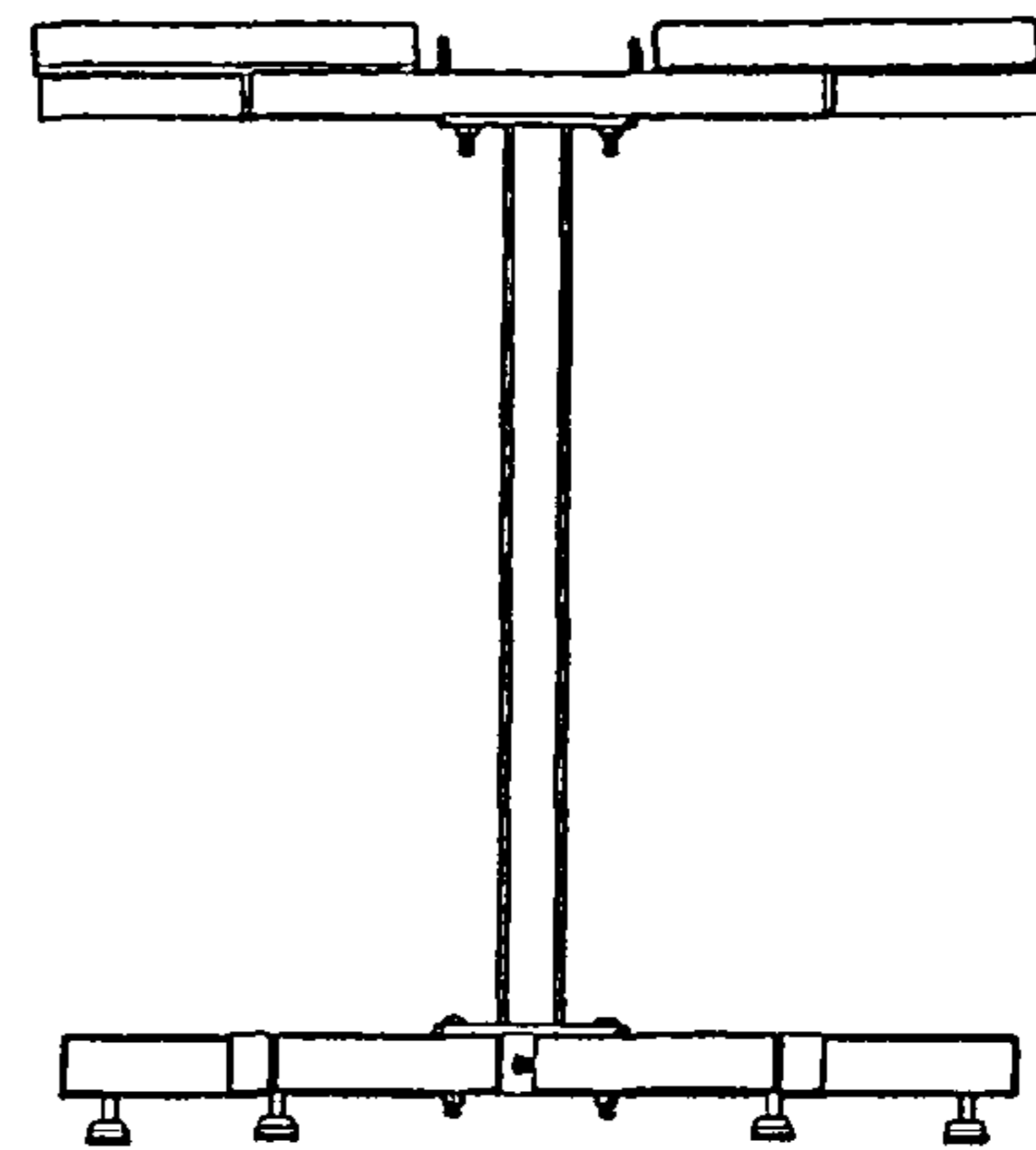


Fig. 6

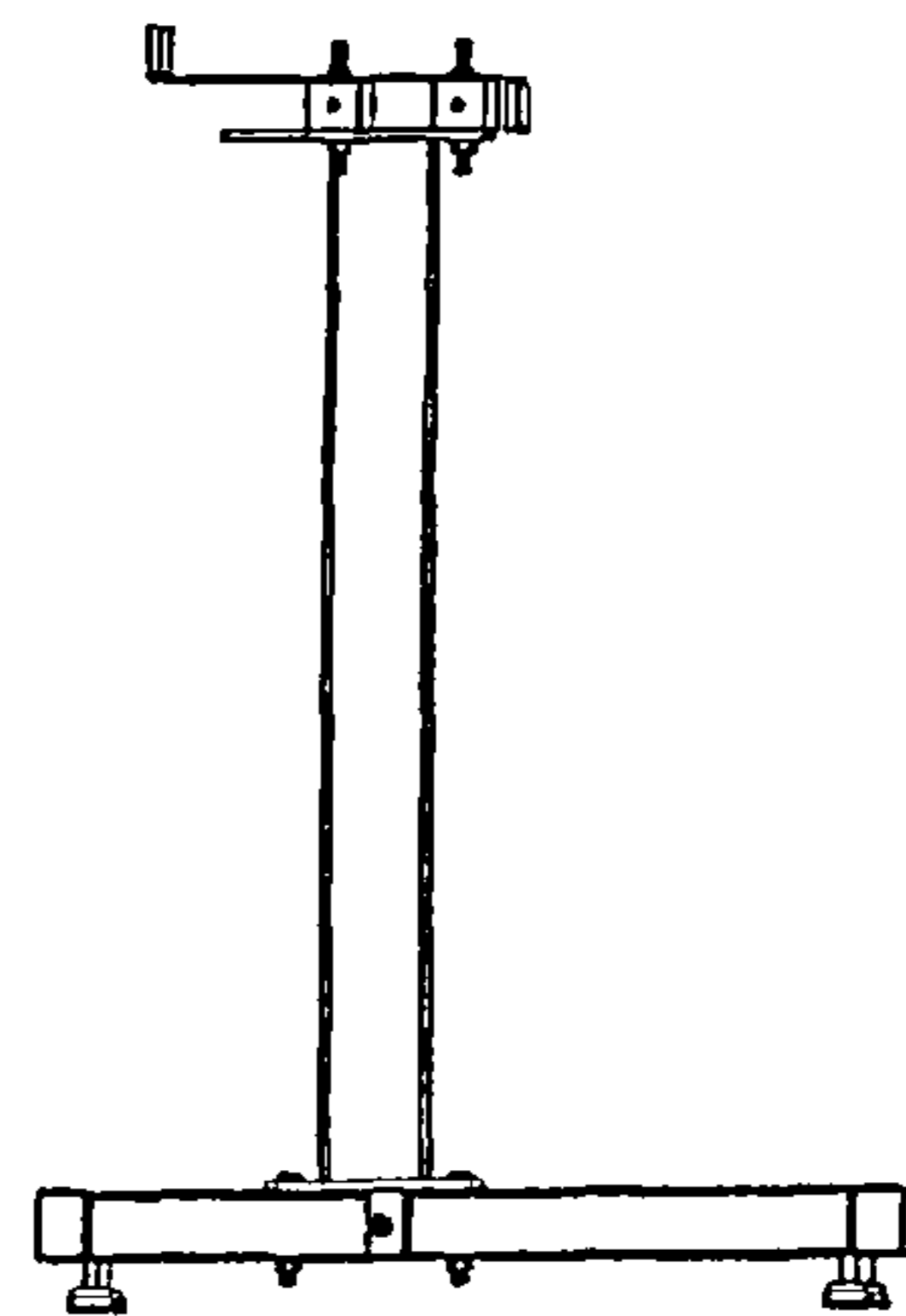


Fig. 7

Fig. 8

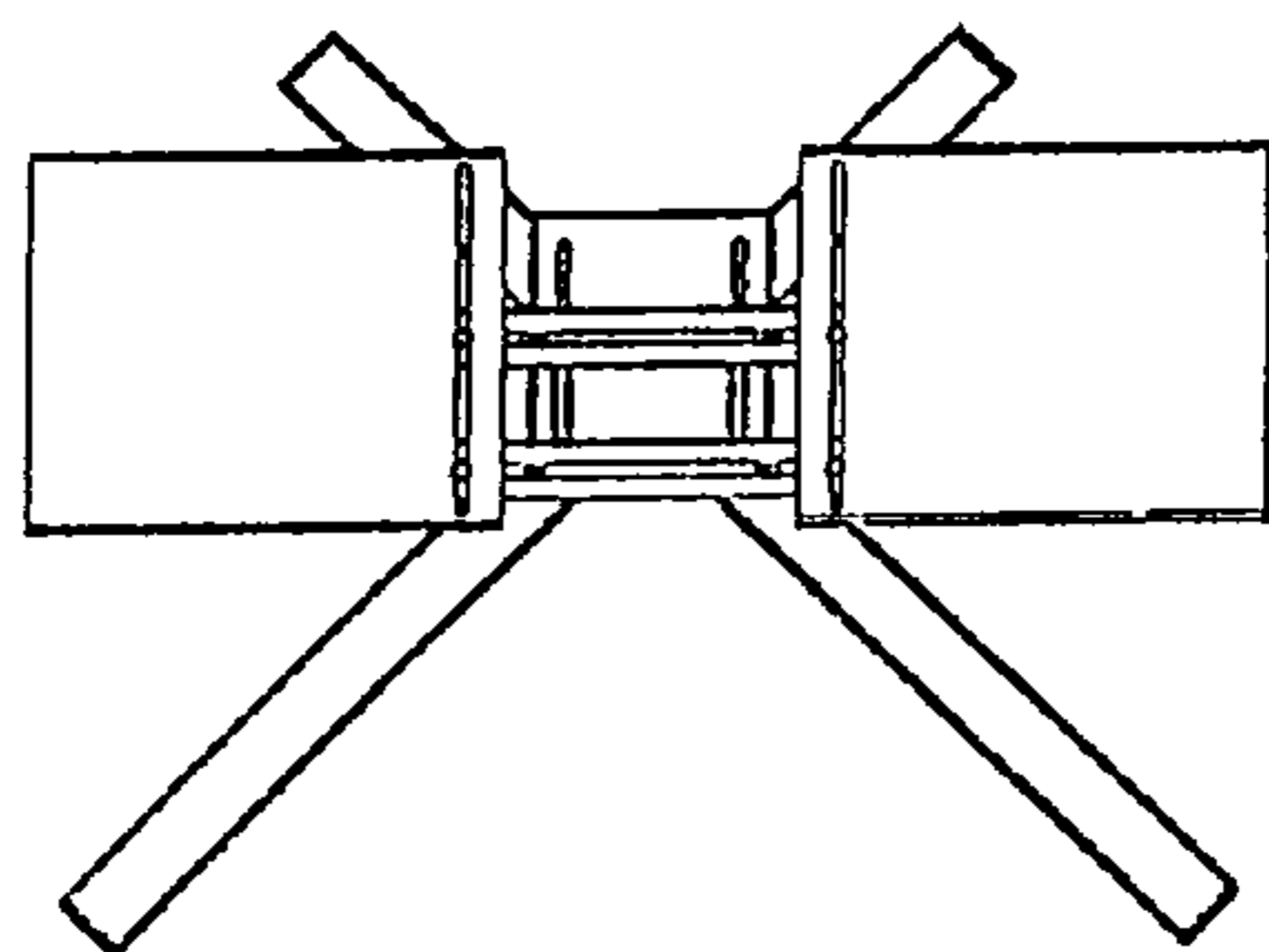
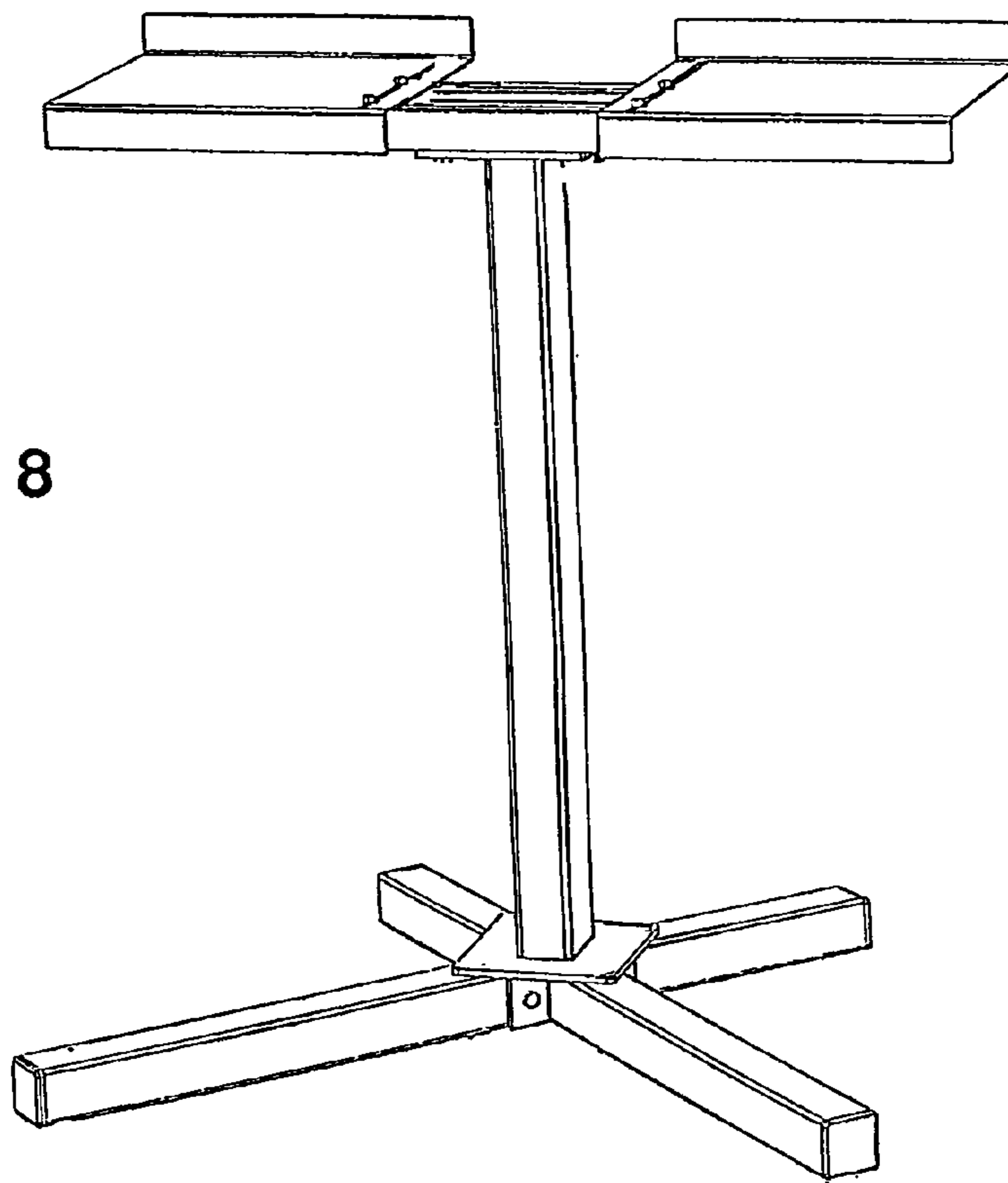


Fig. 9

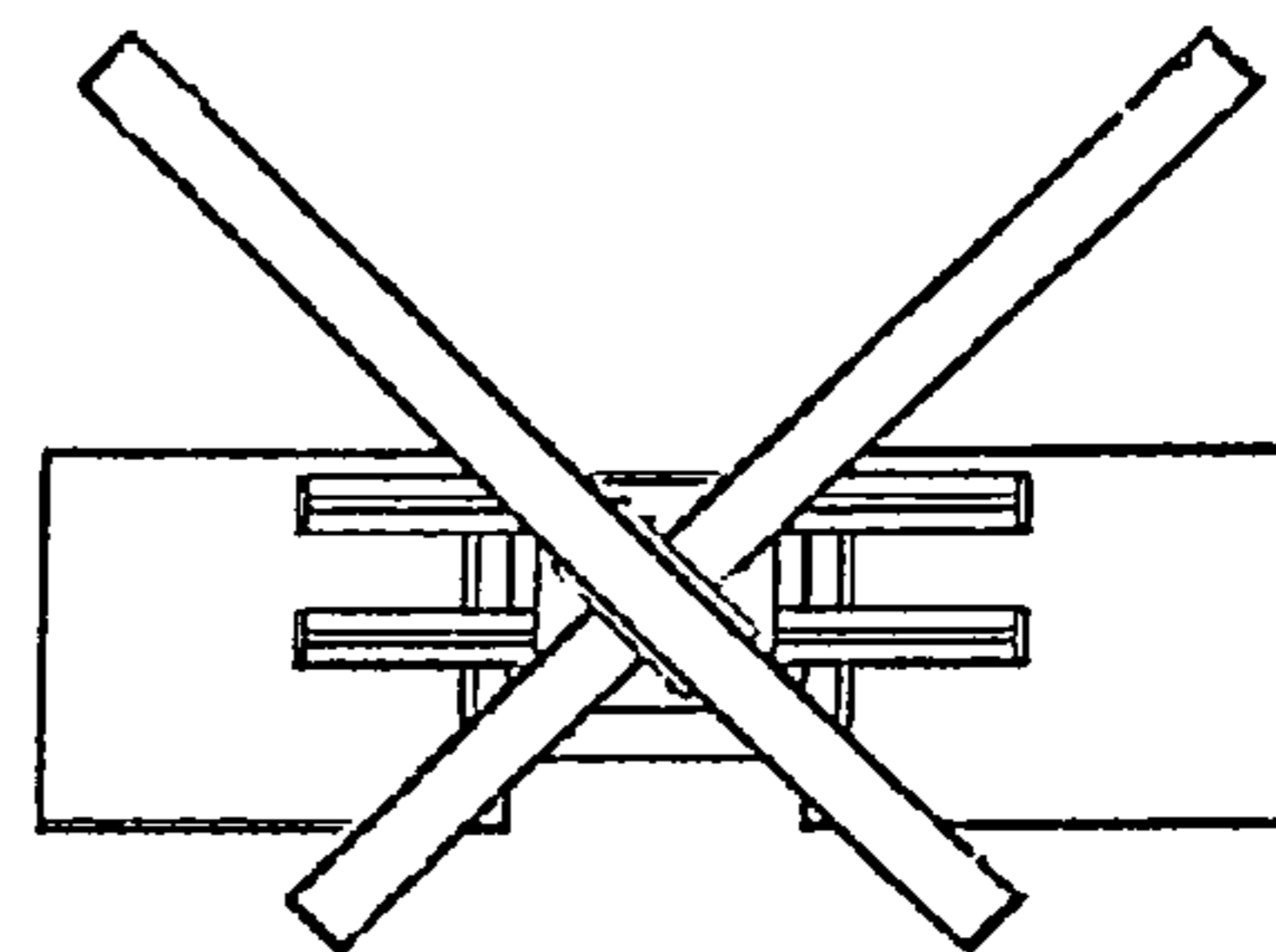


Fig. 10

Fig. 11

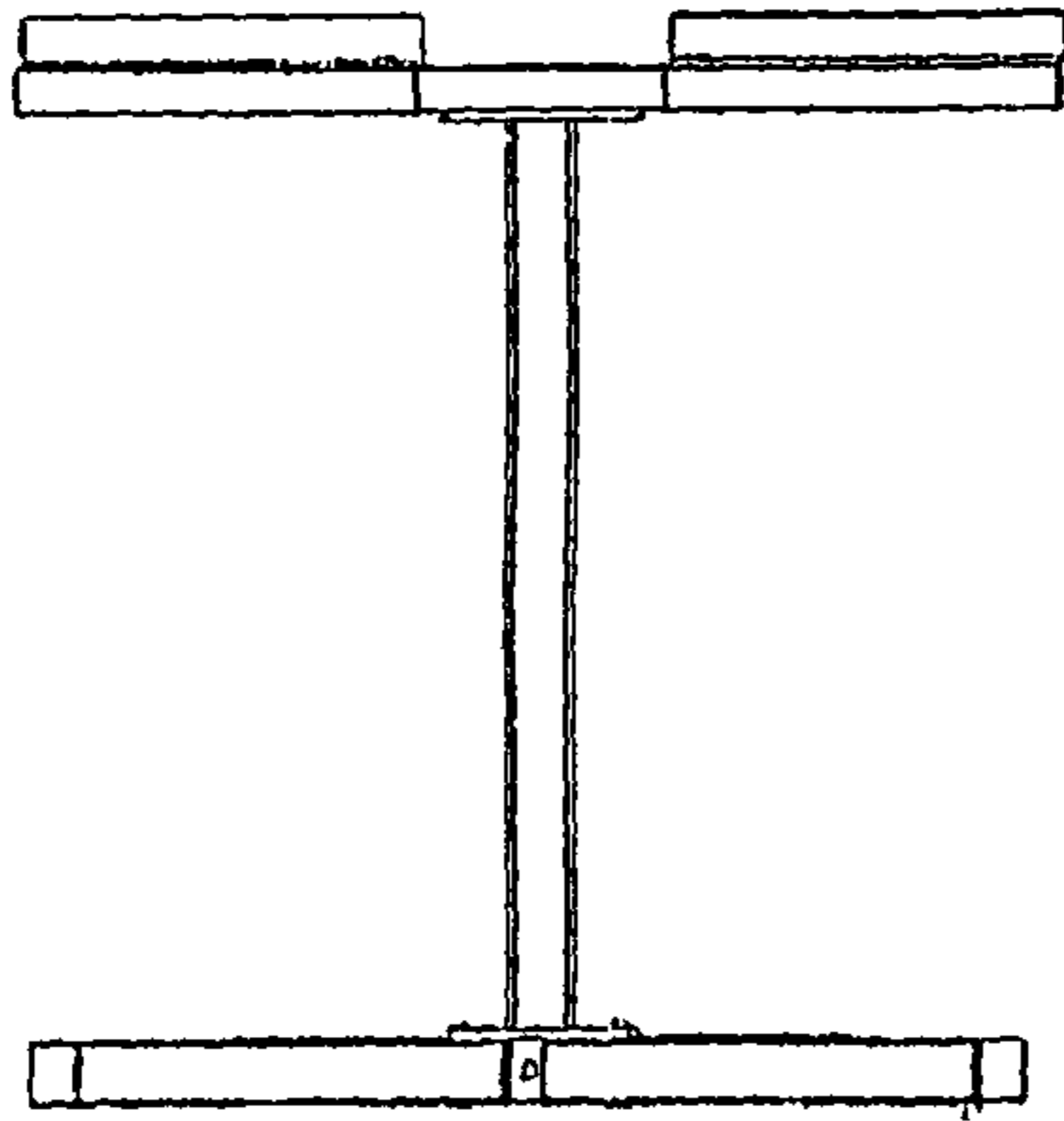


Fig. 12

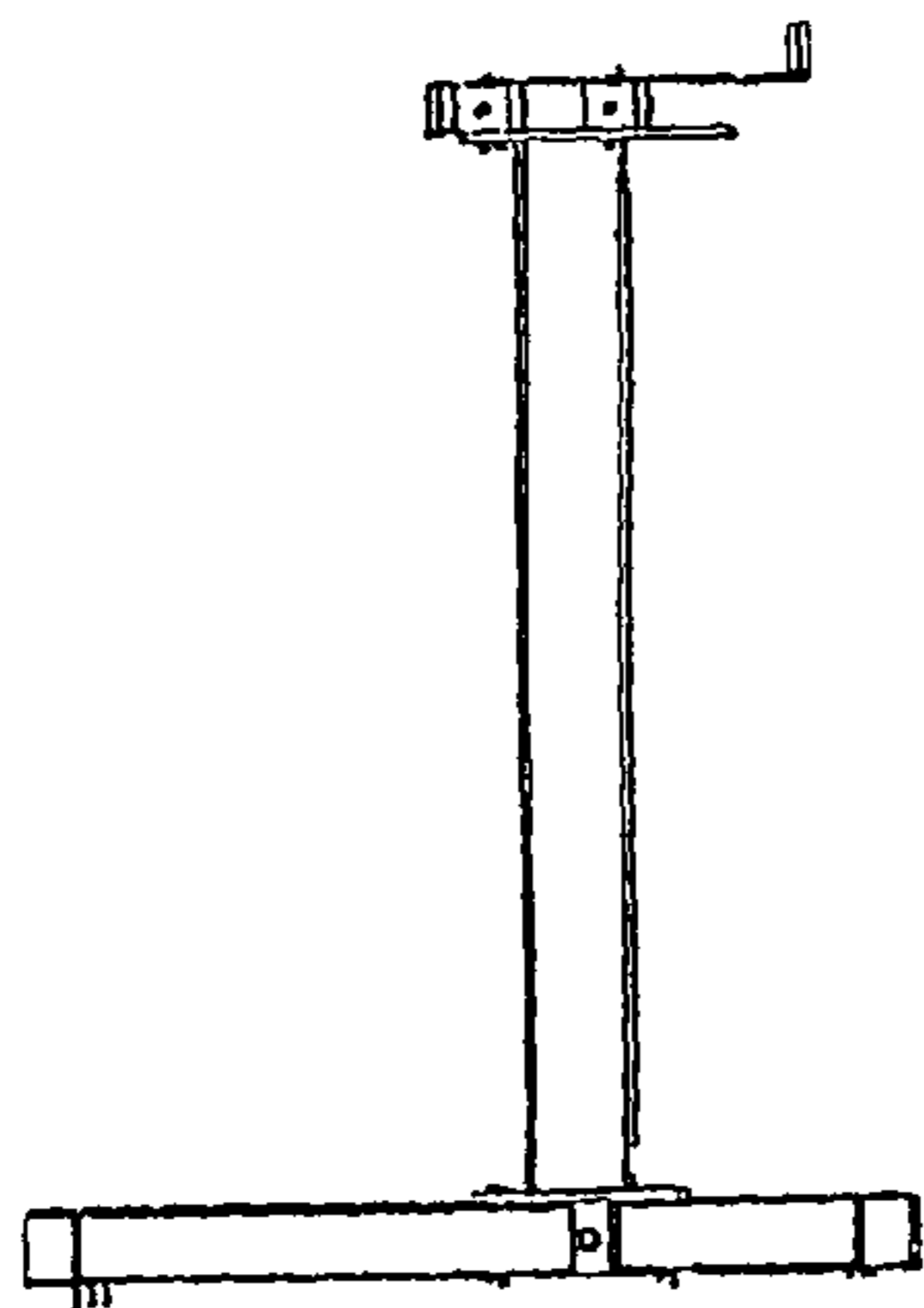
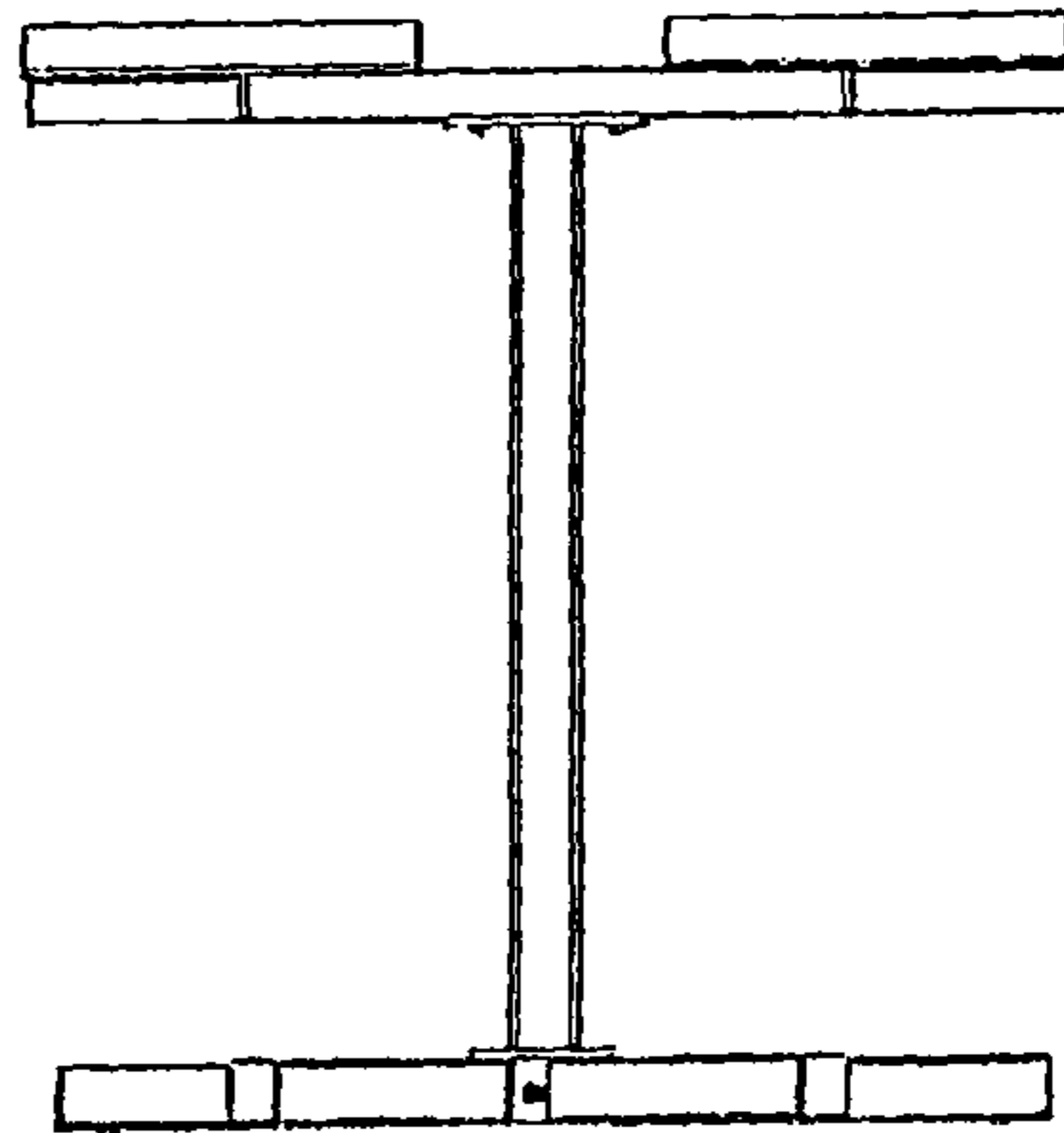


Fig. 13

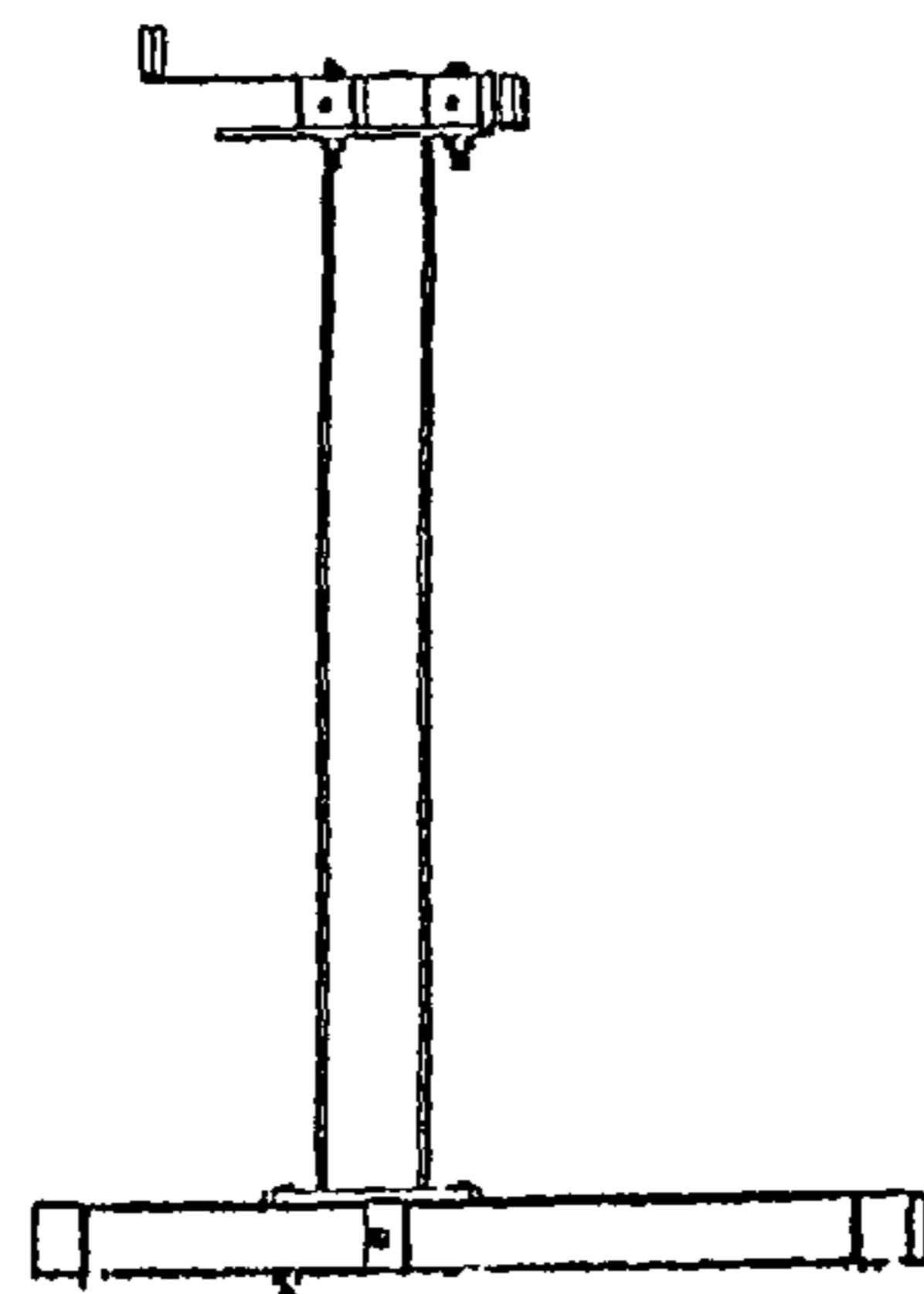


Fig. 14

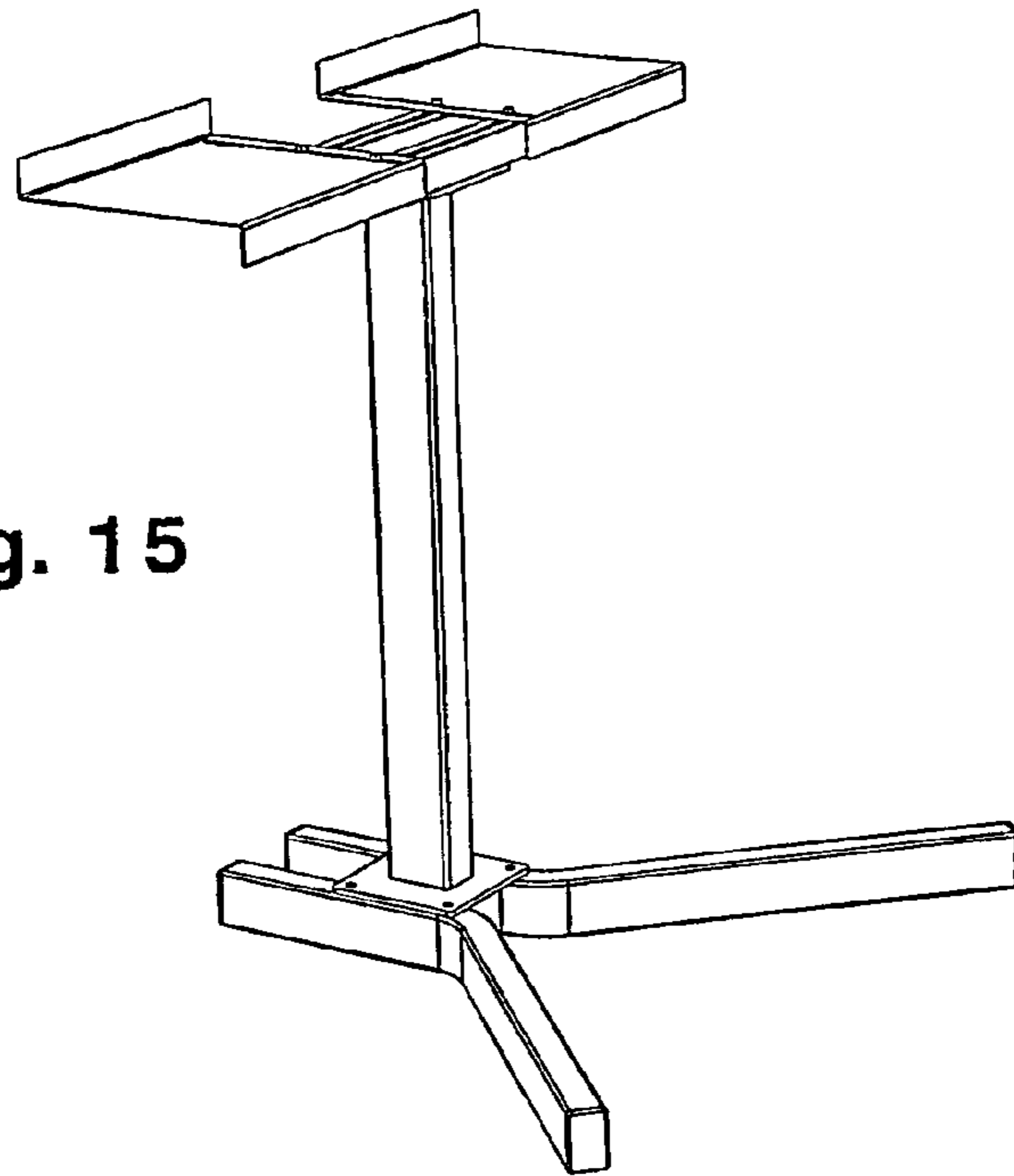


Fig. 15

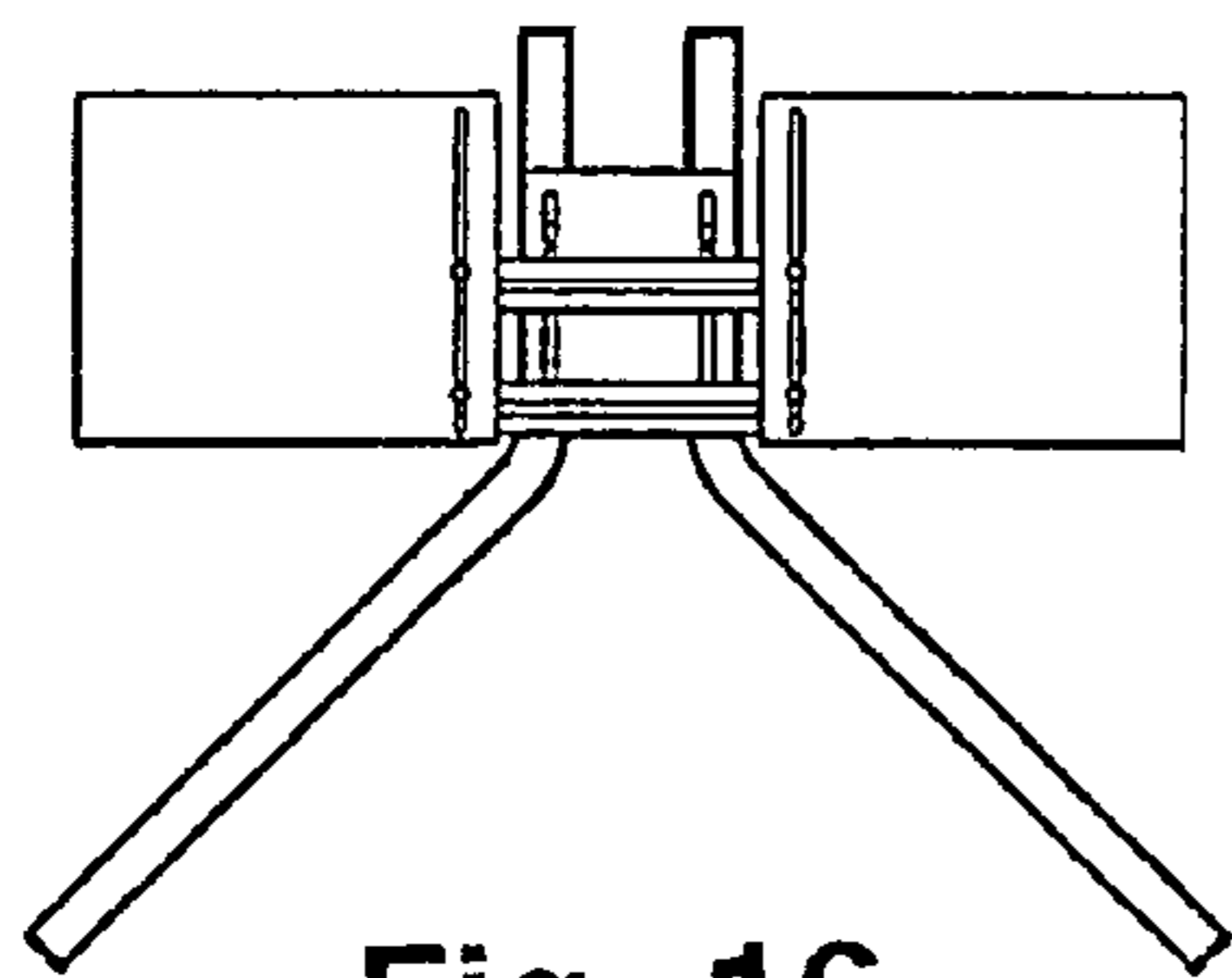


Fig. 16

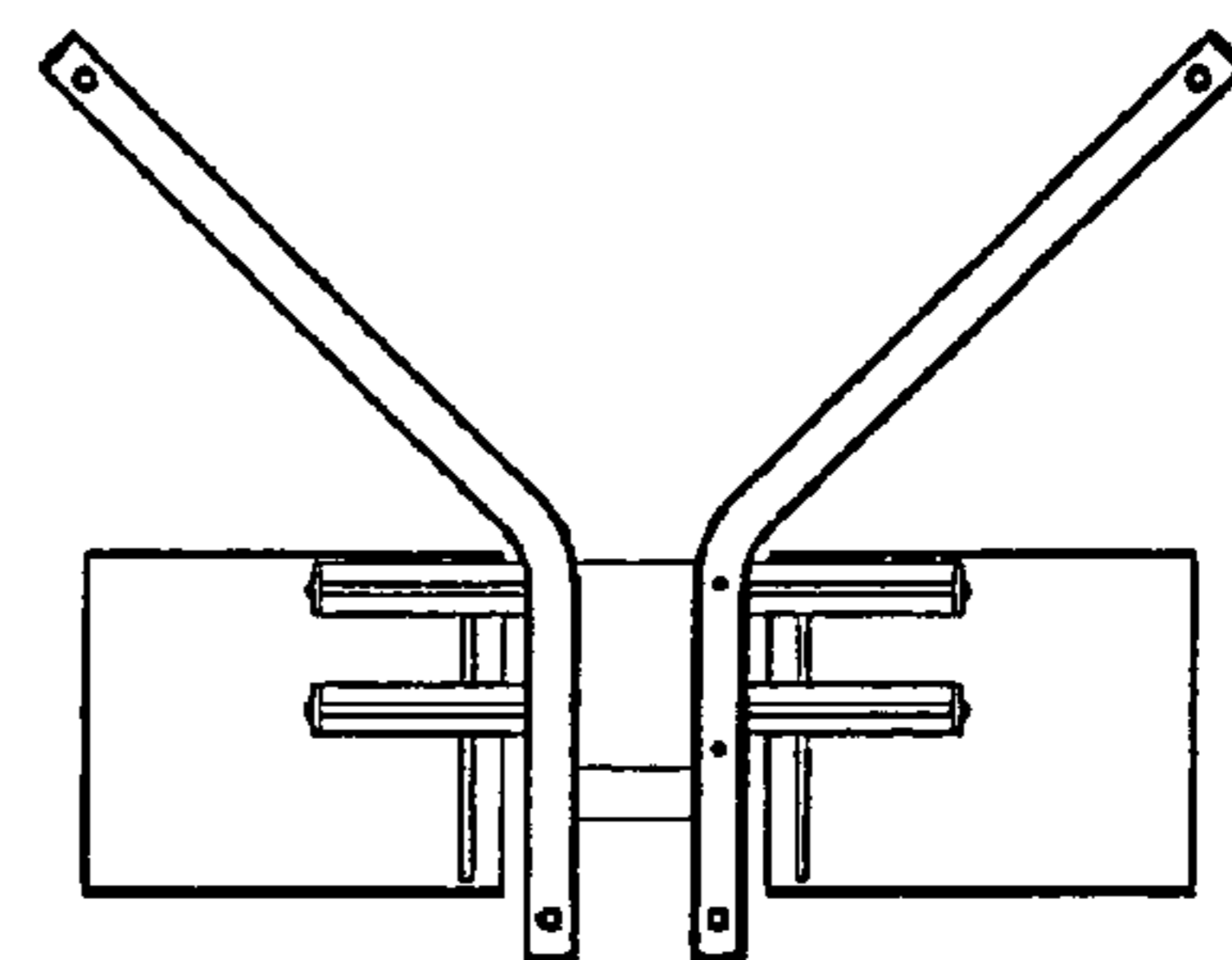


Fig. 17

Fig. 18

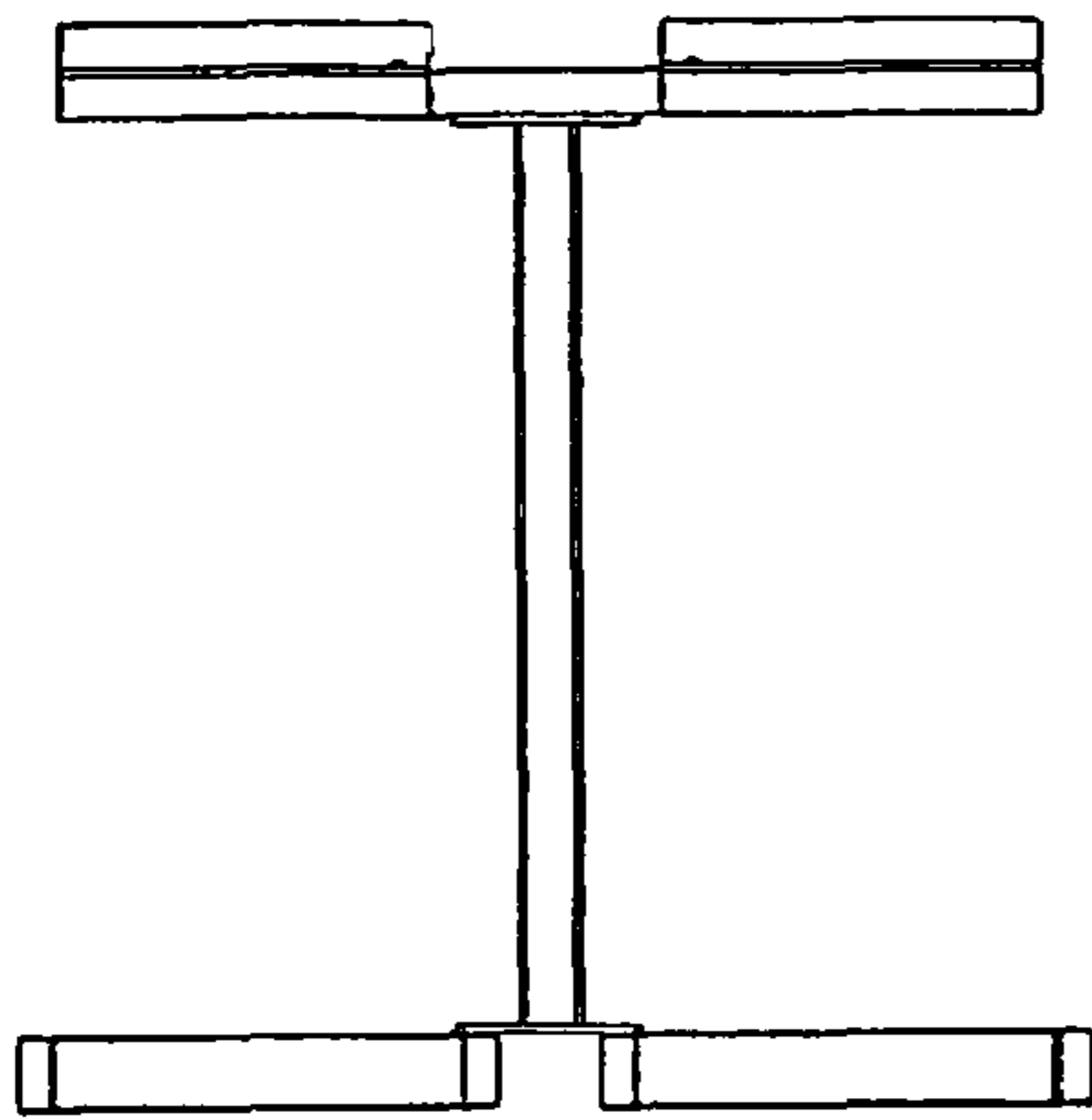


Fig. 19

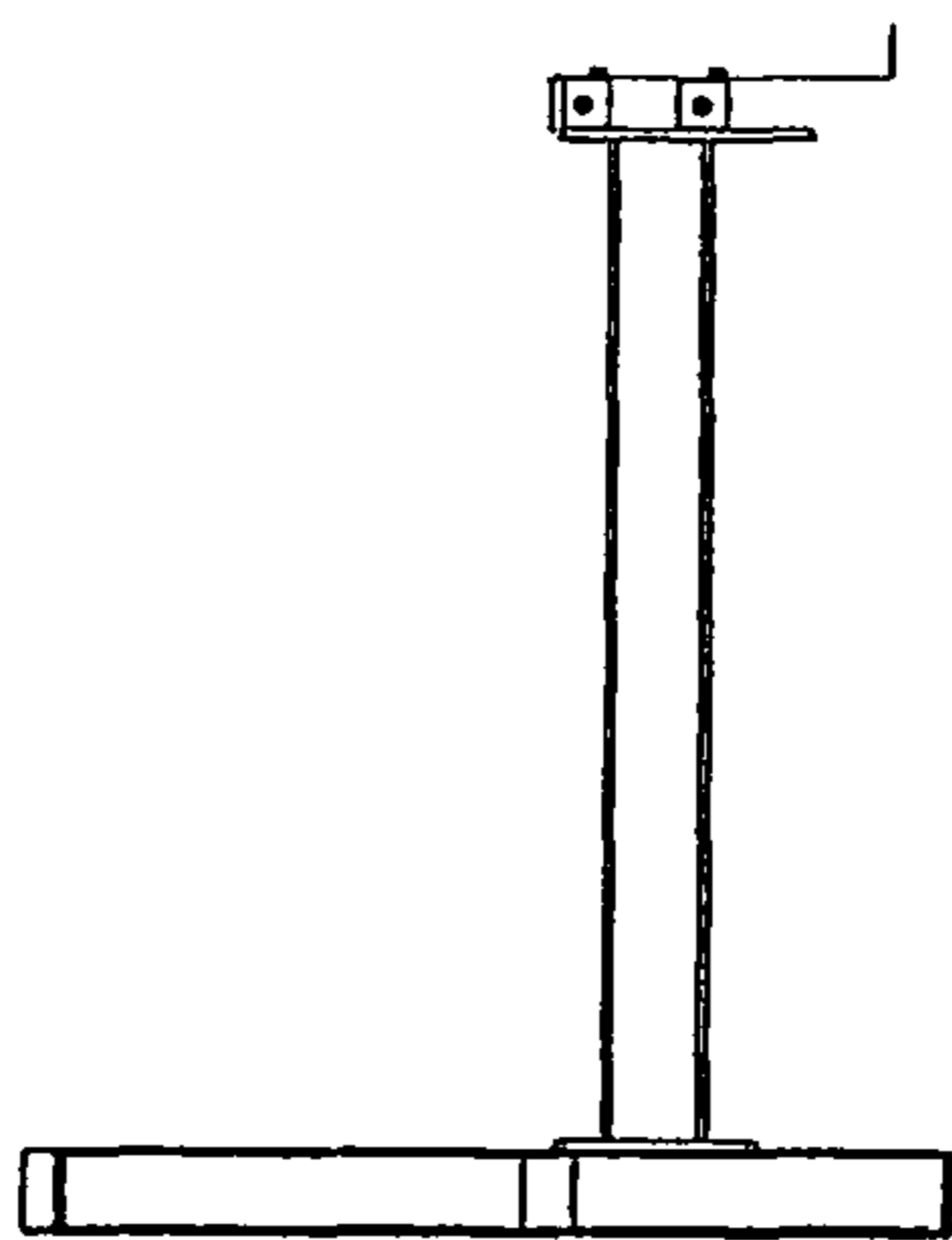
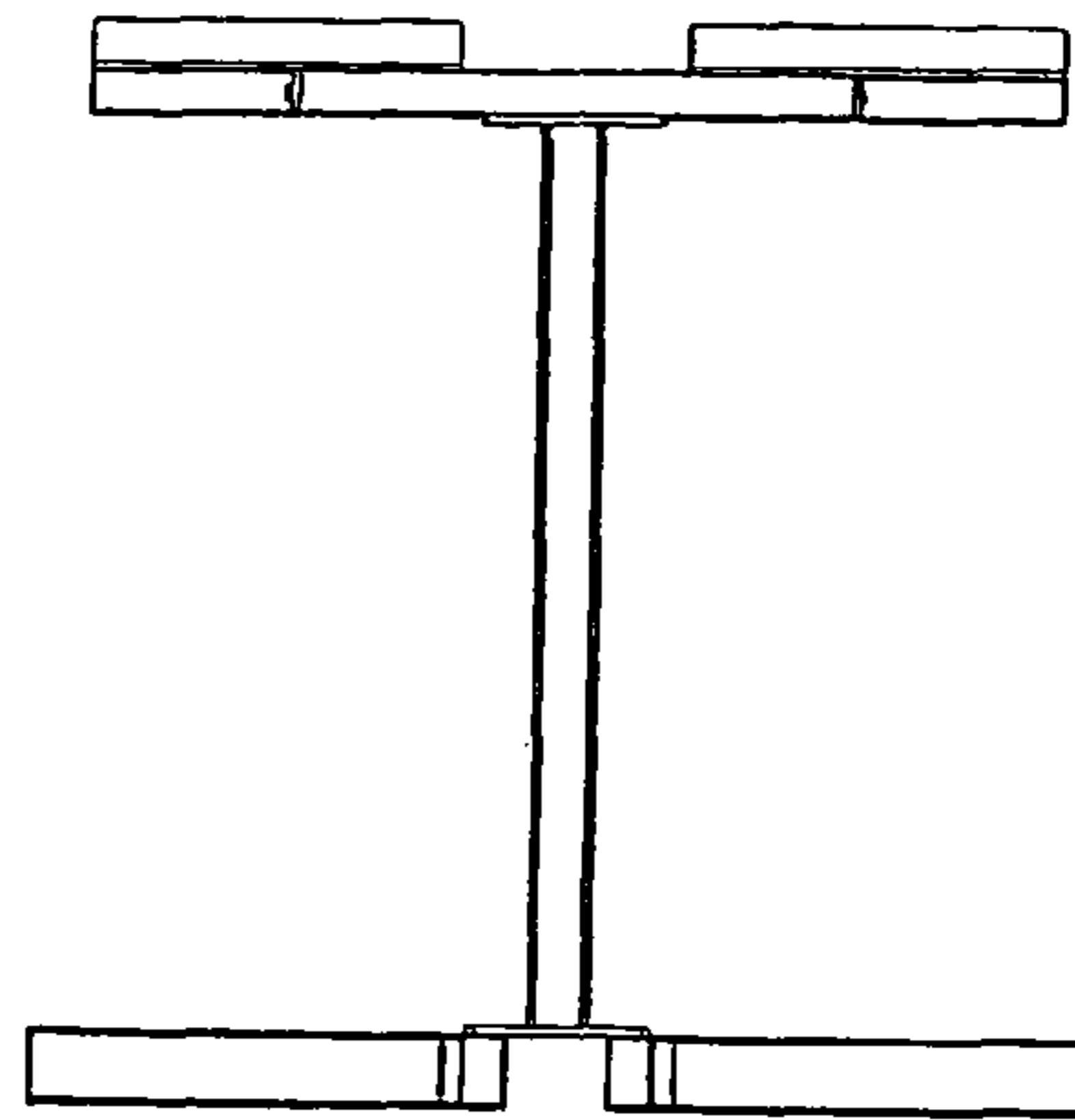


Fig. 20

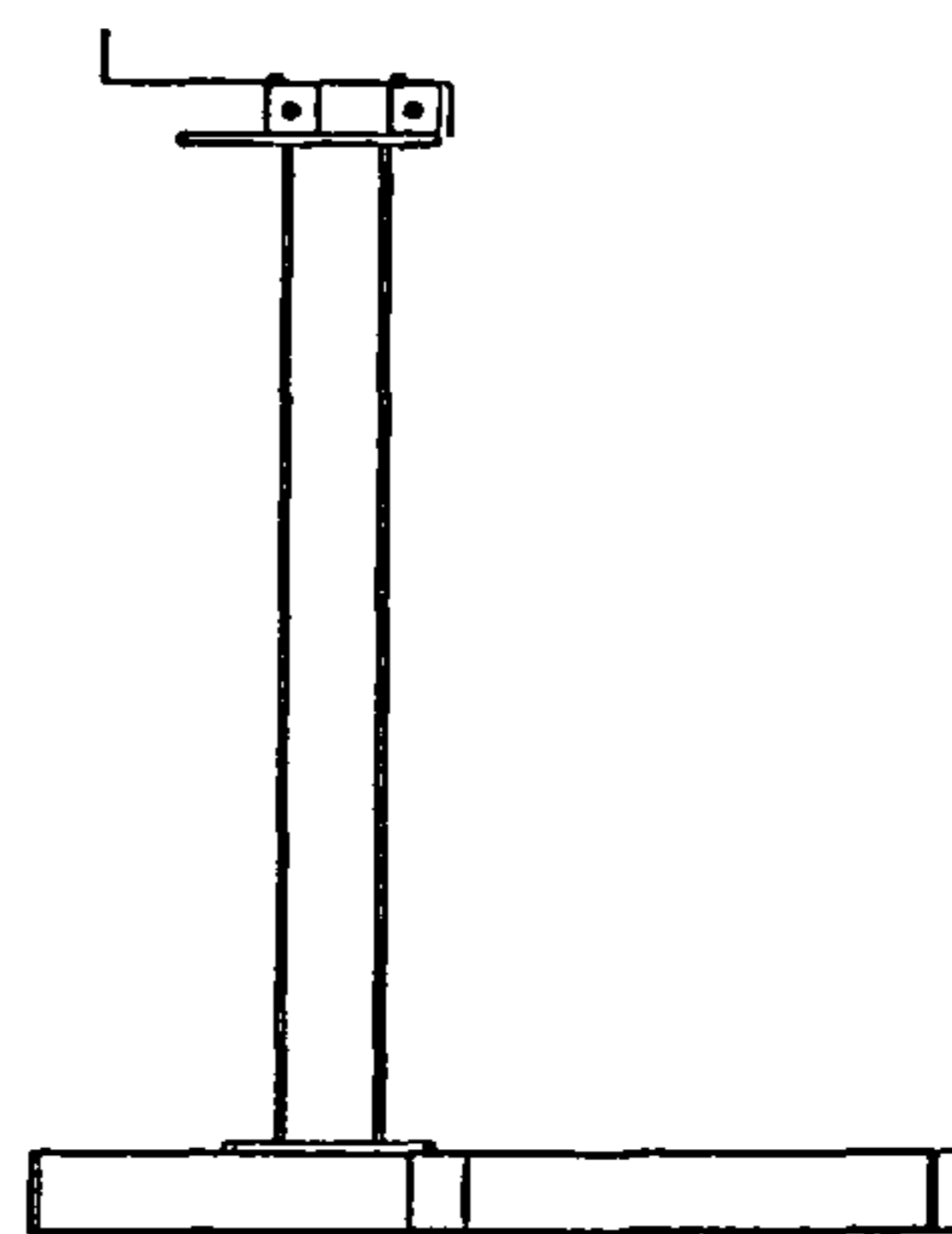


Fig. 21