



US00D721155S

(12) **United States Design Patent**  
**Komatsu et al.**

(10) **Patent No.:** **US D721,155 S**

(45) **Date of Patent:** **\*\* \*Jan. 13, 2015**

(54) **TWO PIECE RIFLE RECEIVER AND TAIL**

(71) Applicant: **Browning Arms Company**, Morgan,  
UT (US)

(72) Inventors: **Takahiro Komatsu**, Kochi Prefecture  
(JP); **Shunji Okazaki**, Kochi Prefecture  
(JP); **Peter Sodoma**, Layton, UT (US)

(73) Assignee: **Browning Arms Company**, Morgan,  
UT (US)

(\*) Notice: This patent is subject to a terminal dis-  
claimer.

(\*\*) Term: **14 Years**

(21) Appl. No.: **29/443,059**

(22) Filed: **Jan. 11, 2013**

(51) **LOC (10) Cl.** ..... **22-01**

(52) **U.S. Cl.**  
USPC ..... **D22/108**

(58) **Field of Classification Search**  
USPC ..... D22/103, 108; 42/71.01; 89/40.06,  
89/41.19, 37.04, 33.04, 191.01, 200-204;  
124/7, 66, 72, 74

See application file for complete search history.

(56) **References Cited**

**U.S. PATENT DOCUMENTS**

1,209,872 A \* 12/1916 Nelson ..... 42/16  
2,144,241 A \* 1/1939 Eiane ..... 89/145

2,396,404 A \* 3/1946 Williams et al. .... 42/125  
2,629,175 A \* 2/1953 Merritt ..... 42/128  
3,387,400 A \* 6/1968 Badali et al. .... 42/70.01  
4,015,357 A \* 4/1977 Andersson ..... 42/16  
4,688,345 A \* 8/1987 Kilgour ..... 42/127  
4,860,480 A \* 8/1989 Ruger ..... 42/124  
5,410,834 A \* 5/1995 Benton et al. .... 42/75.02

\* cited by examiner

*Primary Examiner* — Michael A Pratt

(74) *Attorney, Agent, or Firm* — Porzio, Bromberg &  
Newman P.C.

(57) **CLAIM**

The ornamental design for a two piece rifle receiver and tail,  
as shown and described.

**DESCRIPTION**

FIG. 1 is a left side perspective view of the two piece rifle  
receiver and tail.

FIG. 2 is a right side perspective view of the two piece rifle  
receiver and tail.

FIG. 3 is a front end view of the two piece rifle receiver and  
tail.

FIG. 4 is a back end view of the two piece rifle receiver and  
tail.

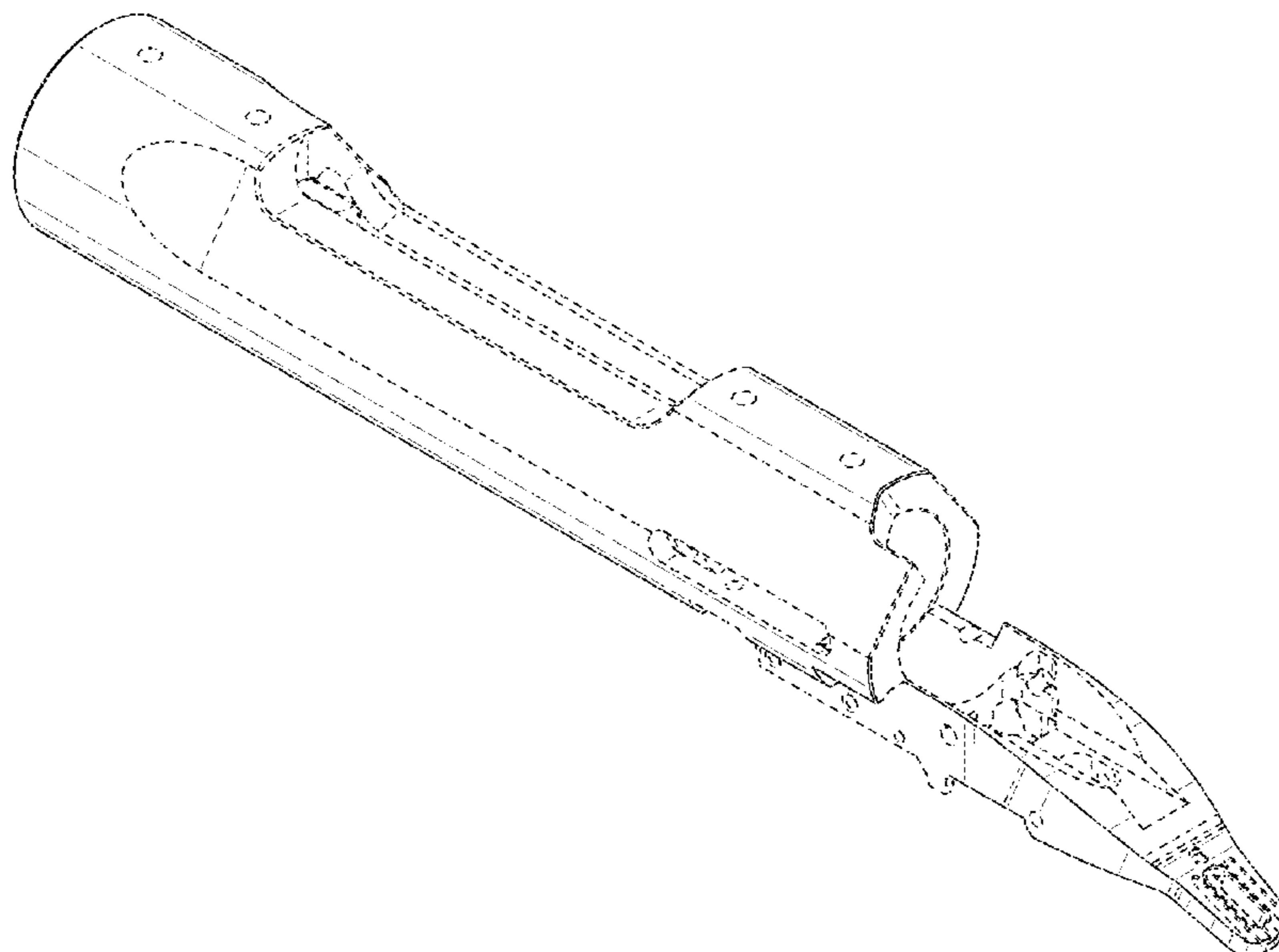
FIG. 5 is a left side view of the two piece rifle receiver and tail.

FIG. 6 is a right side view of the two piece rifle receiver and  
tail.

FIG. 7 is a top view of the two piece rifle receiver and tail; and,  
FIG. 8 is a bottom view of the two piece rifle receiver and tail.

The broken line showing of aspects of the two piece rifle  
receiver and tail forms no part of the claimed design.

**1 Claim, 5 Drawing Sheets**



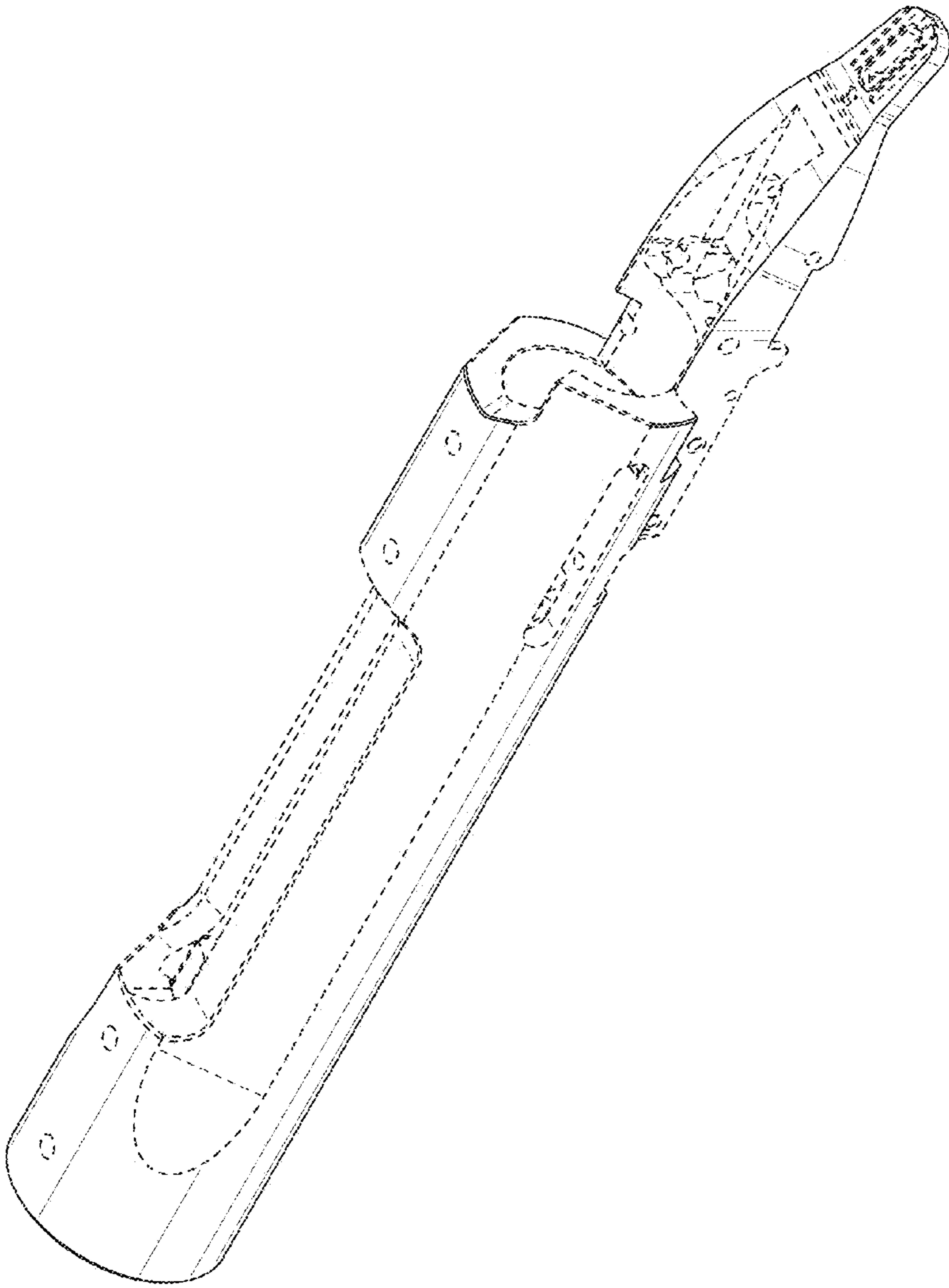


FIG. 1

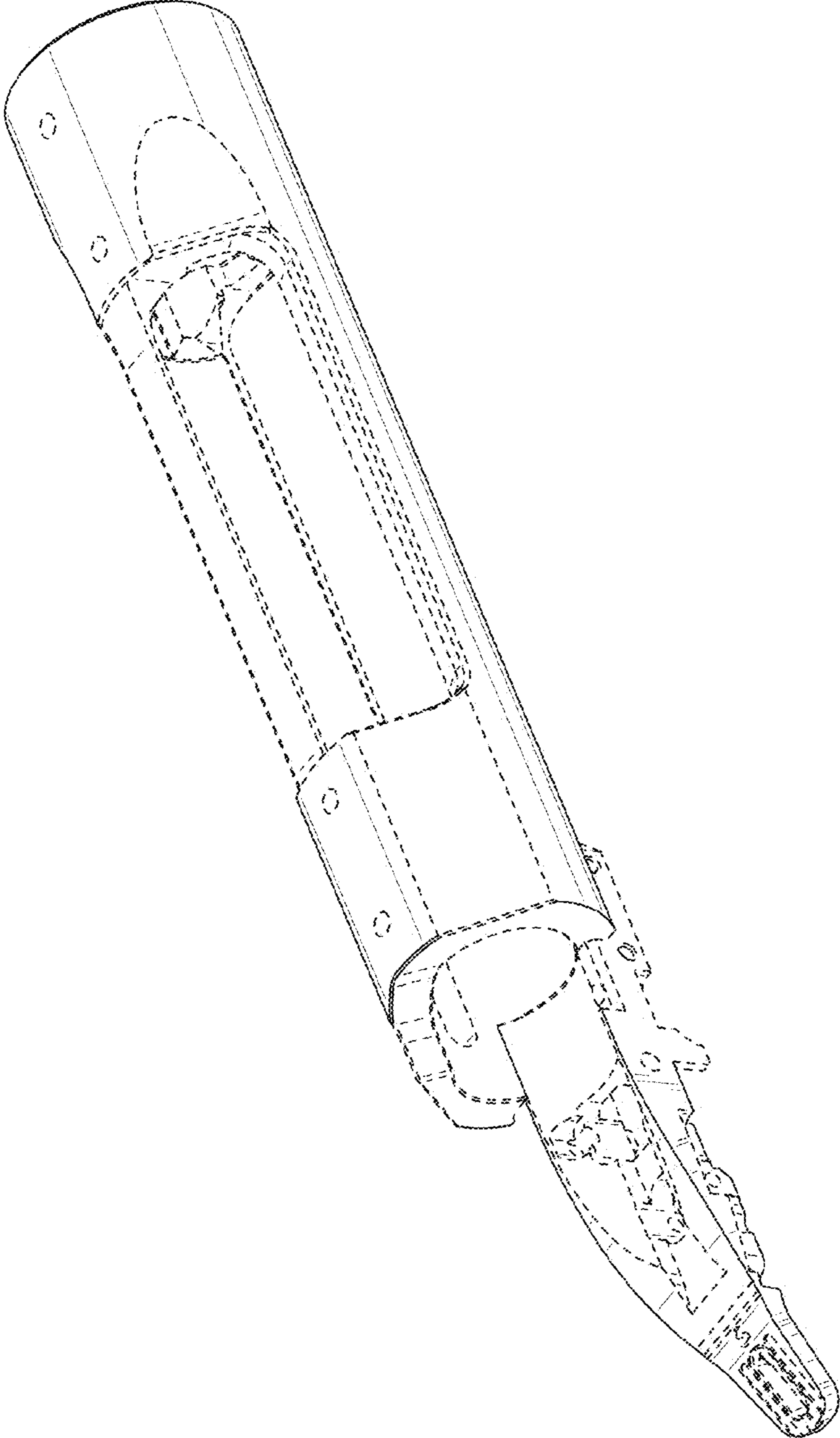


FIG. 2

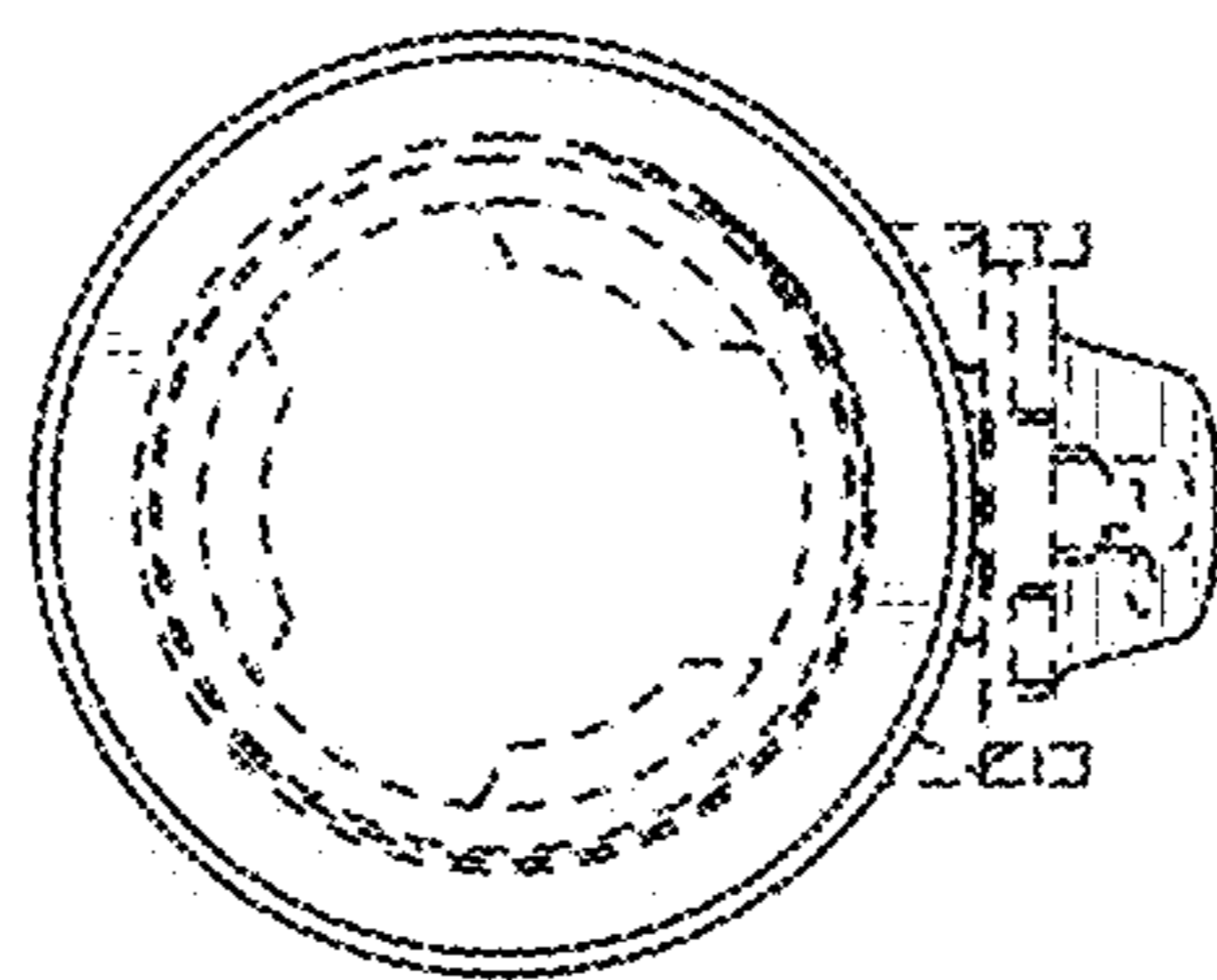


FIG. 4

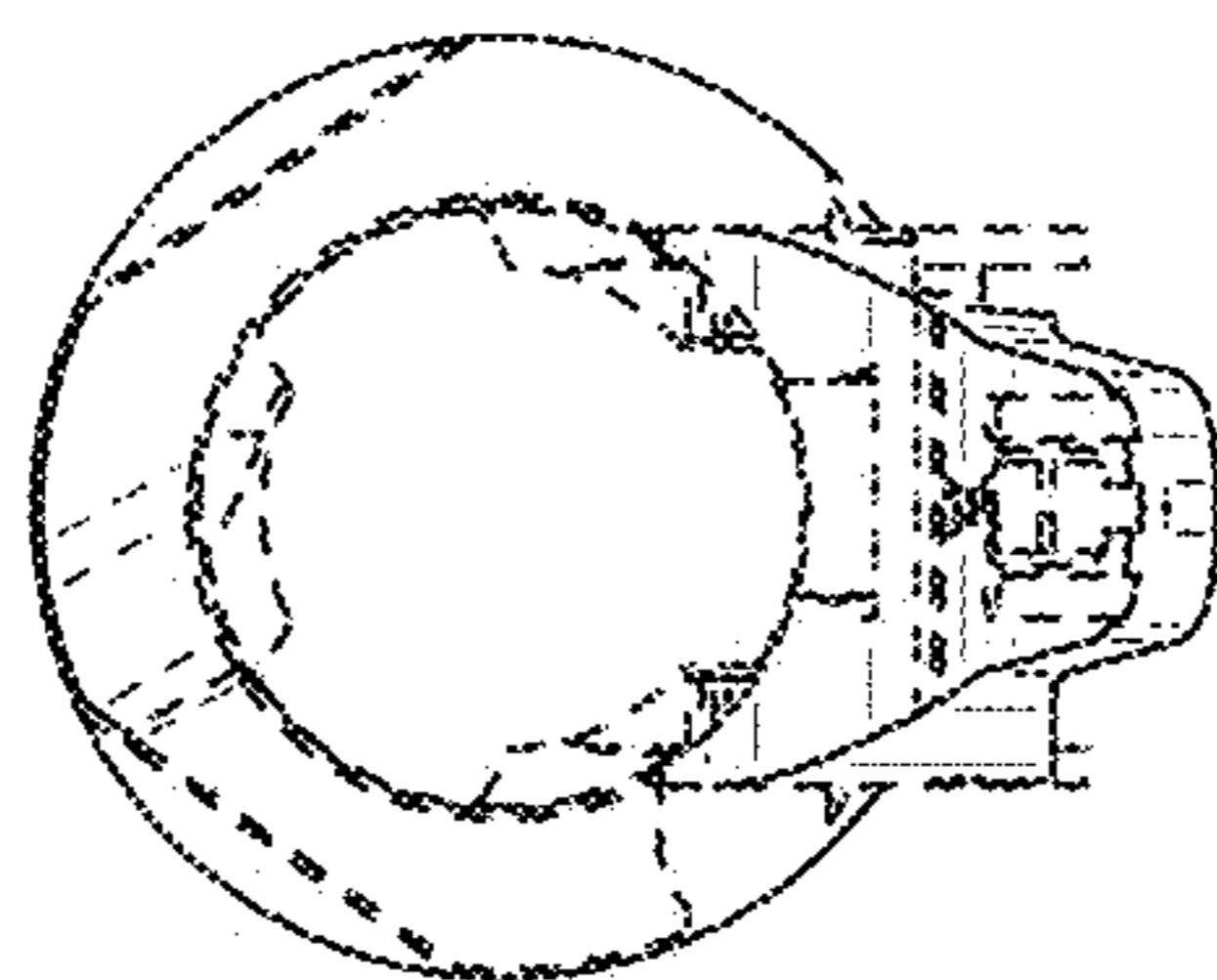


FIG. 3

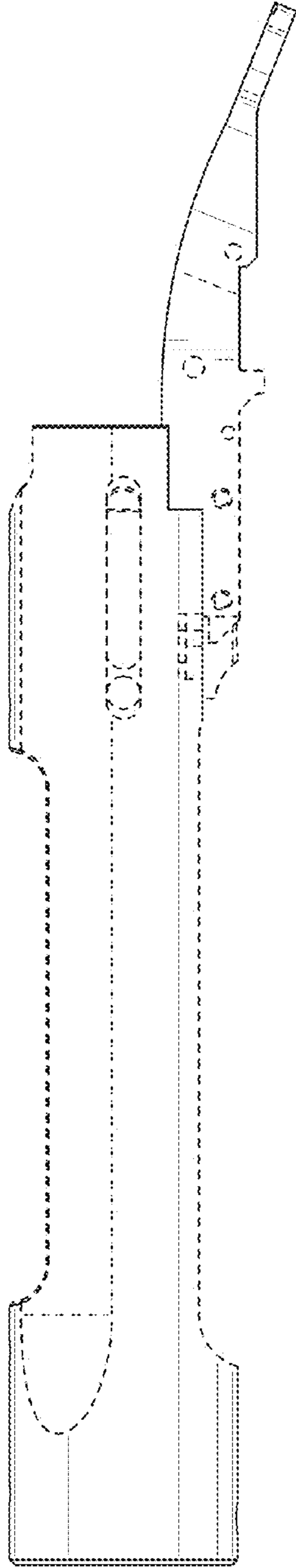


FIG. 5

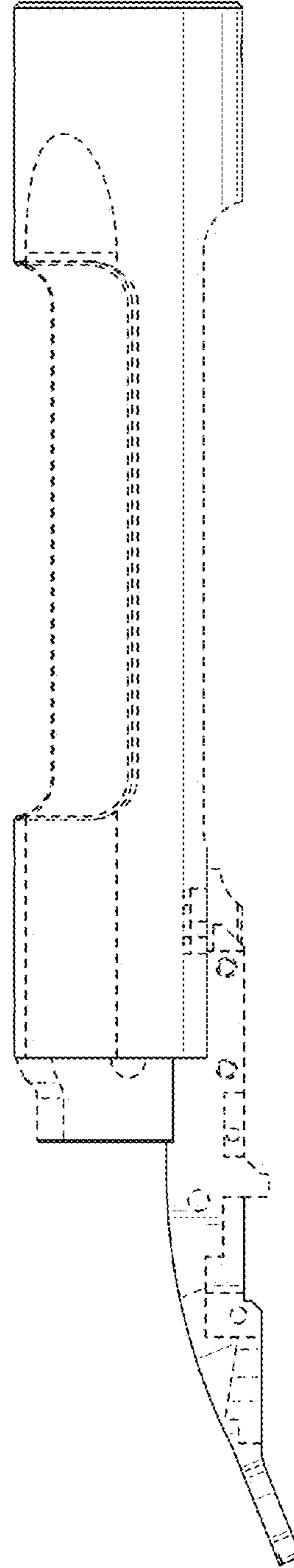


FIG. 6



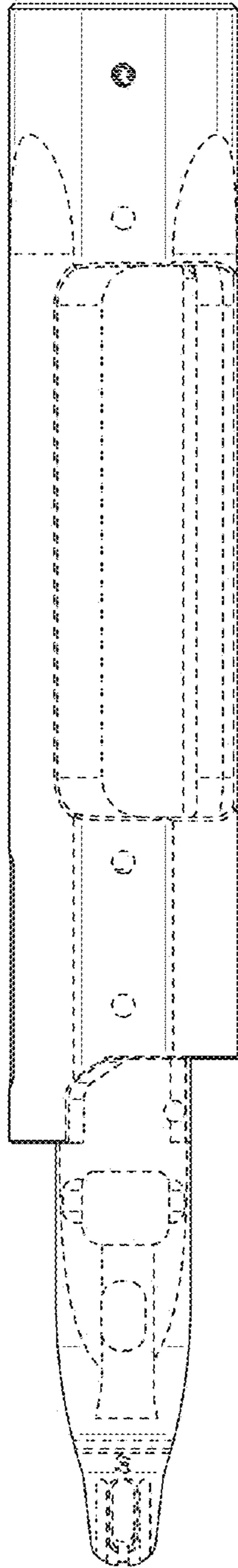


FIG. 7

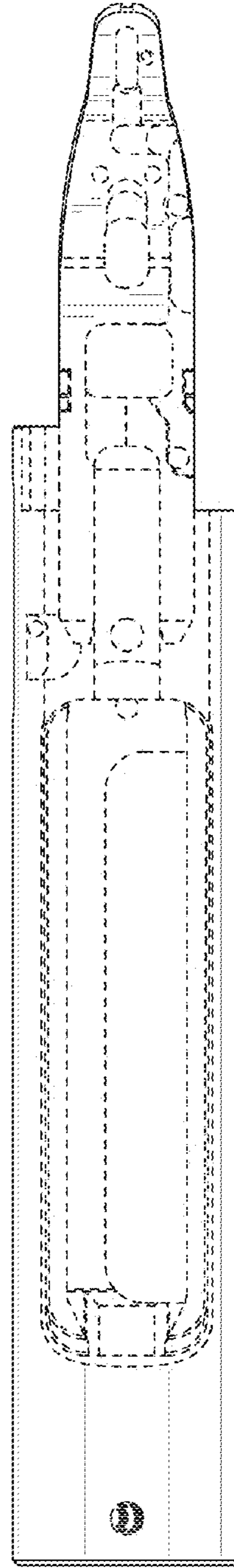


FIG. 8