



US00D721151S

(12) **United States Design Patent**  
**Piper**

(10) **Patent No.:** **US D721,151 S**  
(45) **Date of Patent:** **\*\* Jan. 13, 2015**

(54) **WHEEL**

(71) Applicant: **Neal Piper**, Huntington Beach, CA (US)

(72) Inventor: **Neal Piper**, Huntington Beach, CA (US)

(73) Assignee: **Aend Industries**, Huntington Beach, CA (US)

(\*\*) Term: **14 Years**

(21) Appl. No.: **29/484,427**

(22) Filed: **Mar. 10, 2014**

(51) **LOC (10) Cl.** ..... **21-02**

(52) **U.S. Cl.**  
USPC ..... **D21/779**

(58) **Field of Classification Search**  
USPC ..... D21/563, 761, 762, 763, 765, 771, 779;  
D12/204-213; 280/11.19, 11.215,  
280/11.221-11.26, 11.28, 11.32, 87.042,  
280/809, 816; 152/165; 301/5.1, 5.7,  
301/5.301-5.309; D3/318

See application file for complete search history.

(56) **References Cited**

**U.S. PATENT DOCUMENTS**

5,310,250 A \* 5/1994 Gonsior ..... 301/5.303  
D384,718 S \* 10/1997 Lee ..... D21/779

D398,690 S \* 9/1998 Lutz ..... D21/763  
D403,729 S \* 1/1999 Portzline ..... D21/779  
5,897,170 A \* 4/1999 Keleny ..... 301/5.307  
D434,463 S \* 11/2000 Lin ..... D21/779  
D434,464 S \* 11/2000 Lin ..... D21/779  
D448,826 S \* 10/2001 Galy ..... D21/779  
D466,962 S \* 12/2002 Chen ..... D21/779  
D480,436 S \* 10/2003 Hong ..... D21/423  
D489,108 S \* 4/2004 Washburn ..... D21/761  
D527,775 S \* 9/2006 Akerstein et al. .... D21/662  
D588,668 S \* 3/2009 Riess ..... D21/779

\* cited by examiner

*Primary Examiner* — Cynthia M Chin

(74) *Attorney, Agent, or Firm* — Rutan & Tucker LLP; Hani Z. Sayed

(57) **CLAIM**

The ornamental design for a wheel, as shown and described.

**DESCRIPTION**

FIG. 1 is top, front, left side perspective view of the wheel present invention;  
FIG. 2 is a front elevation view (the rear elevation view is a mirror image); and,  
FIG. 3 is side elevation, the device being rotationally symmetric.

The broken lines represent the environment in which the article resides and form no part of the claimed design.

**1 Claim, 1 Drawing Sheet**

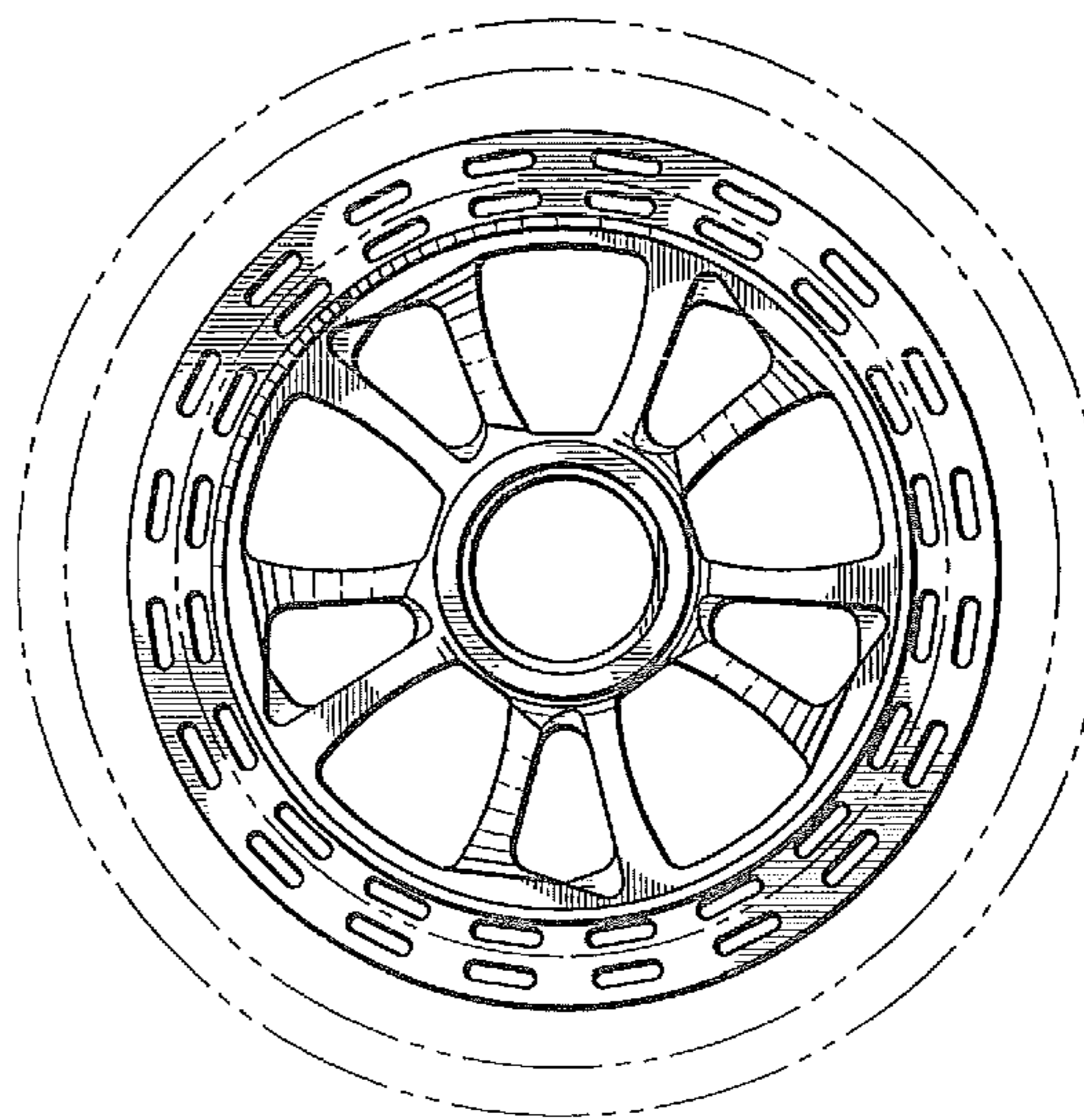
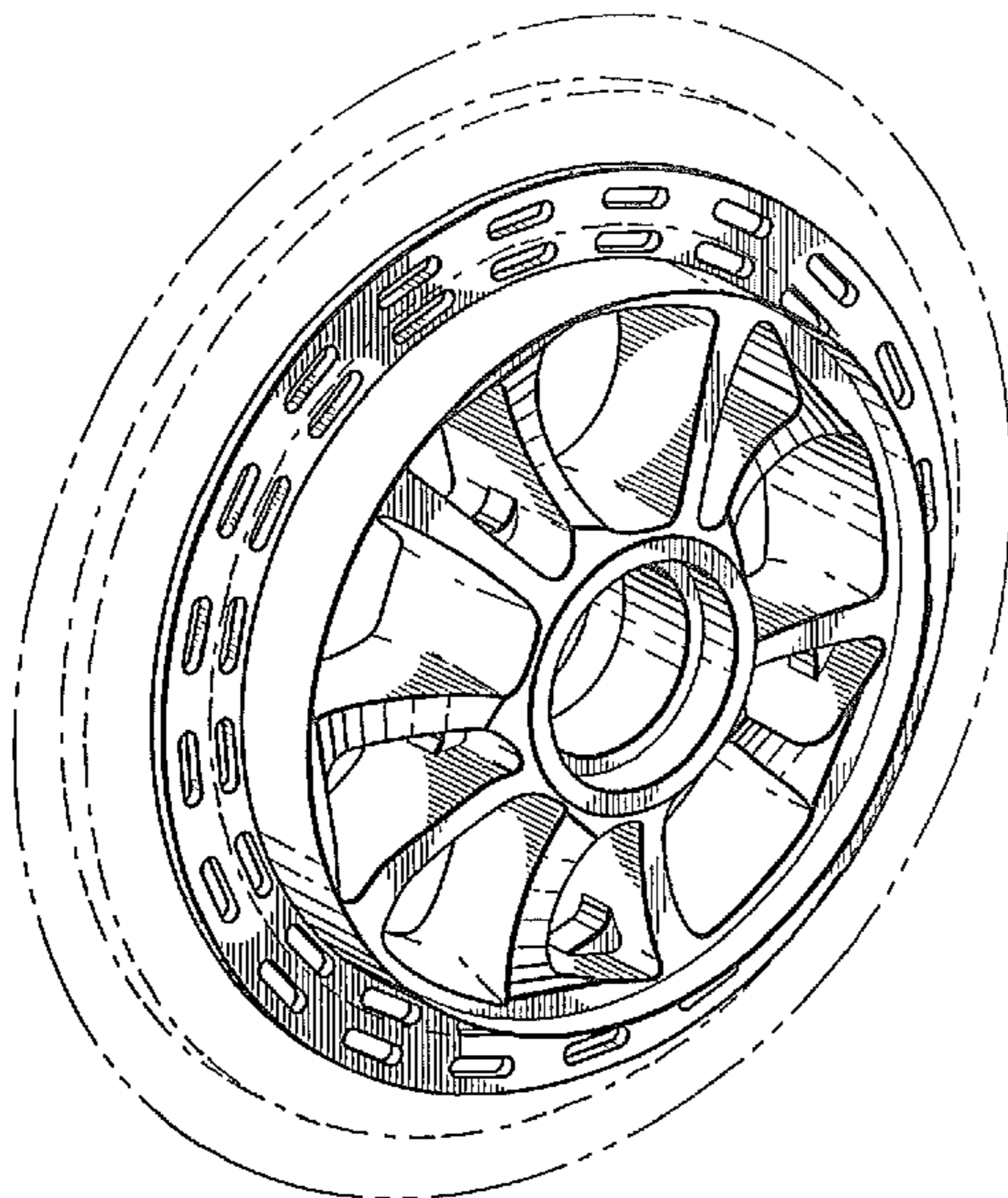


FIG. 1

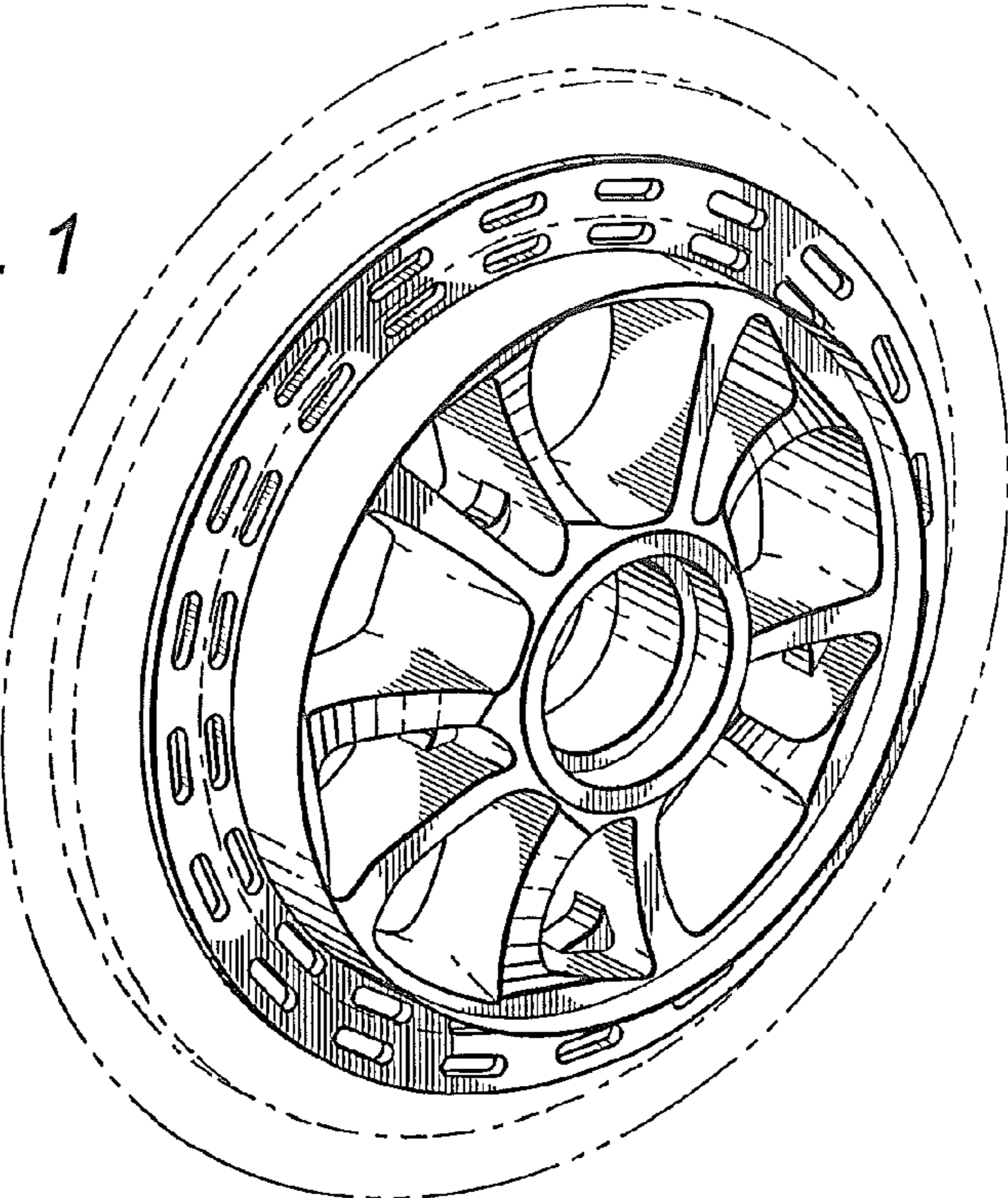


FIG. 2

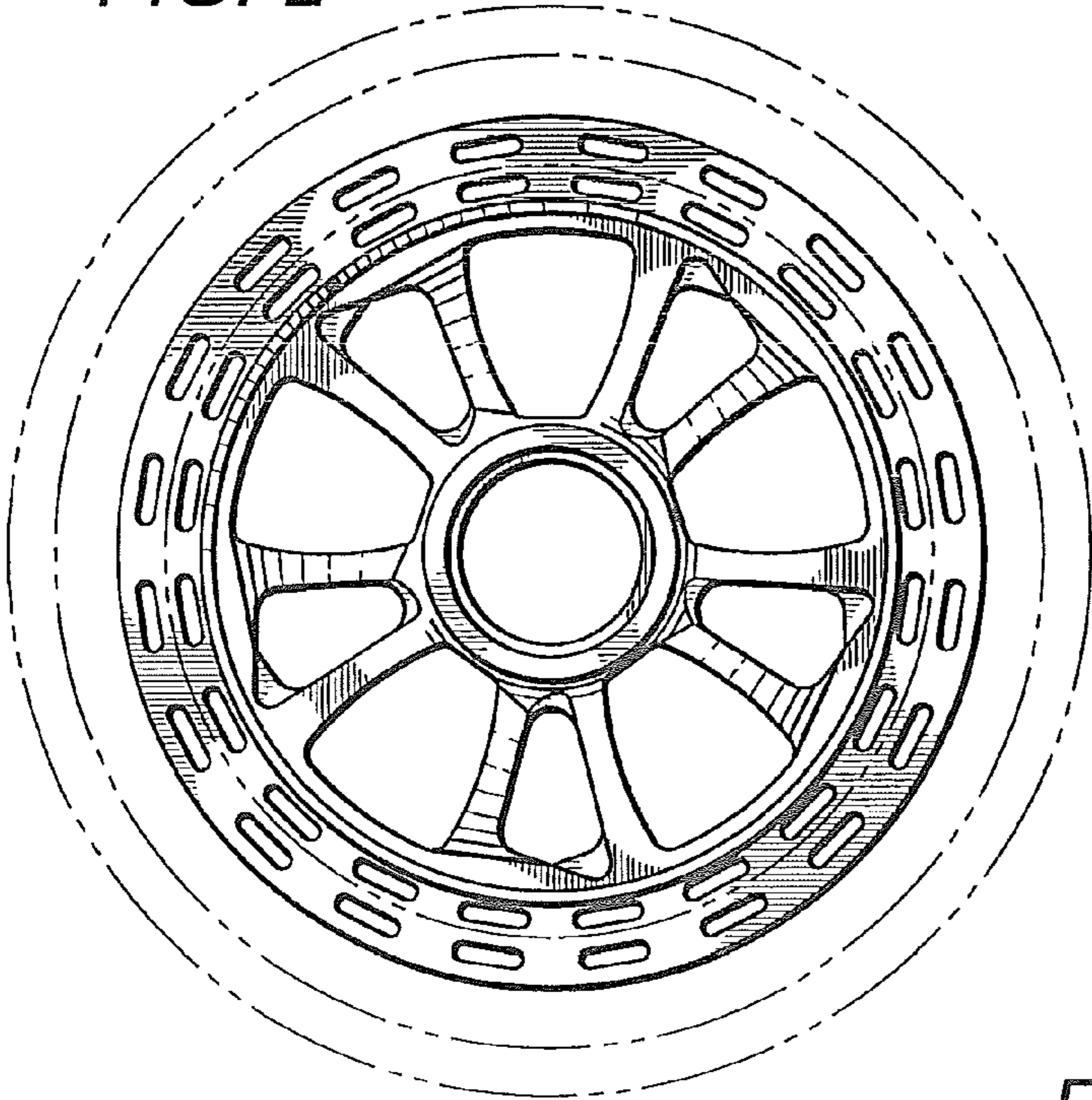


FIG. 3

