



US00D721150S

(12) **United States Design Patent**  
**Piper**

(10) **Patent No.:** **US D721,150 S**  
(45) **Date of Patent:** **\*\* Jan. 13, 2015**

(54) **WHEEL**  
(71) Applicant: **Neal Piper**, Huntington Beach, CA (US)  
(72) Inventor: **Neal Piper**, Huntington Beach, CA (US)  
(73) Assignee: **Aend Industries**, Huntington Beach, CA (US)  
(\*\*) Term: **14 Years**

(21) Appl. No.: **29/484,417**  
(22) Filed: **Mar. 10, 2014**  
(51) **LOC (10) Cl.** ..... **21-02**  
(52) **U.S. Cl.**  
USPC ..... **D21/779**  
(58) **Field of Classification Search**  
USPC ..... D21/563, 761, 762, 763, 765, 771, 779;  
D12/204-213; 280/11.19, 11.215,  
280/11.221-11.26, 11.28, 11.32, 87.042,  
280/809, 816; 152/165; 301/5.1, 5.7,  
301/5.301-5.309; D3/318  
See application file for complete search history.

(56) **References Cited**  
U.S. PATENT DOCUMENTS  
5,310,250 A \* 5/1994 Gonsior ..... 301/5.303  
5,312,844 A \* 5/1994 Gonsior et al. .... 521/99

D371,409 S \* 7/1996 Mohr ..... D21/779  
D397,391 S \* 8/1998 Jirout ..... D21/779  
D398,689 S \* 9/1998 Cooper et al. .... D21/764  
5,823,634 A \* 10/1998 Pozzobon ..... 301/5.309  
D433,088 S \* 10/2000 Galy ..... D21/779  
6,164,729 A \* 12/2000 Dibenedetto et al. .... 301/5.304  
D442,660 S \* 5/2001 Patel ..... D21/779  
D448,826 S \* 10/2001 Galy ..... D21/779  
D525,033 S \* 7/2006 Neumann ..... D3/318  
D541,048 S \* 4/2007 Moon ..... D3/318  
D576,795 S \* 9/2008 Moon ..... D3/318

\* cited by examiner  
*Primary Examiner* — Cynthia M Chin  
(74) *Attorney, Agent, or Firm* — Rutan & Tucker LLP; Hani Z. Sayed

(57) **CLAIM**  
The ornamental design for a wheel, as shown and described.

**DESCRIPTION**  
FIG. 1 is top, front, left side perspective view of the wheel of my new design;  
FIG. 2 is front elevation view (the rear elevation is identical);  
and,  
FIG. 3 is side elevation, the device being rotationally symmetric.

**1 Claim, 1 Drawing Sheet**

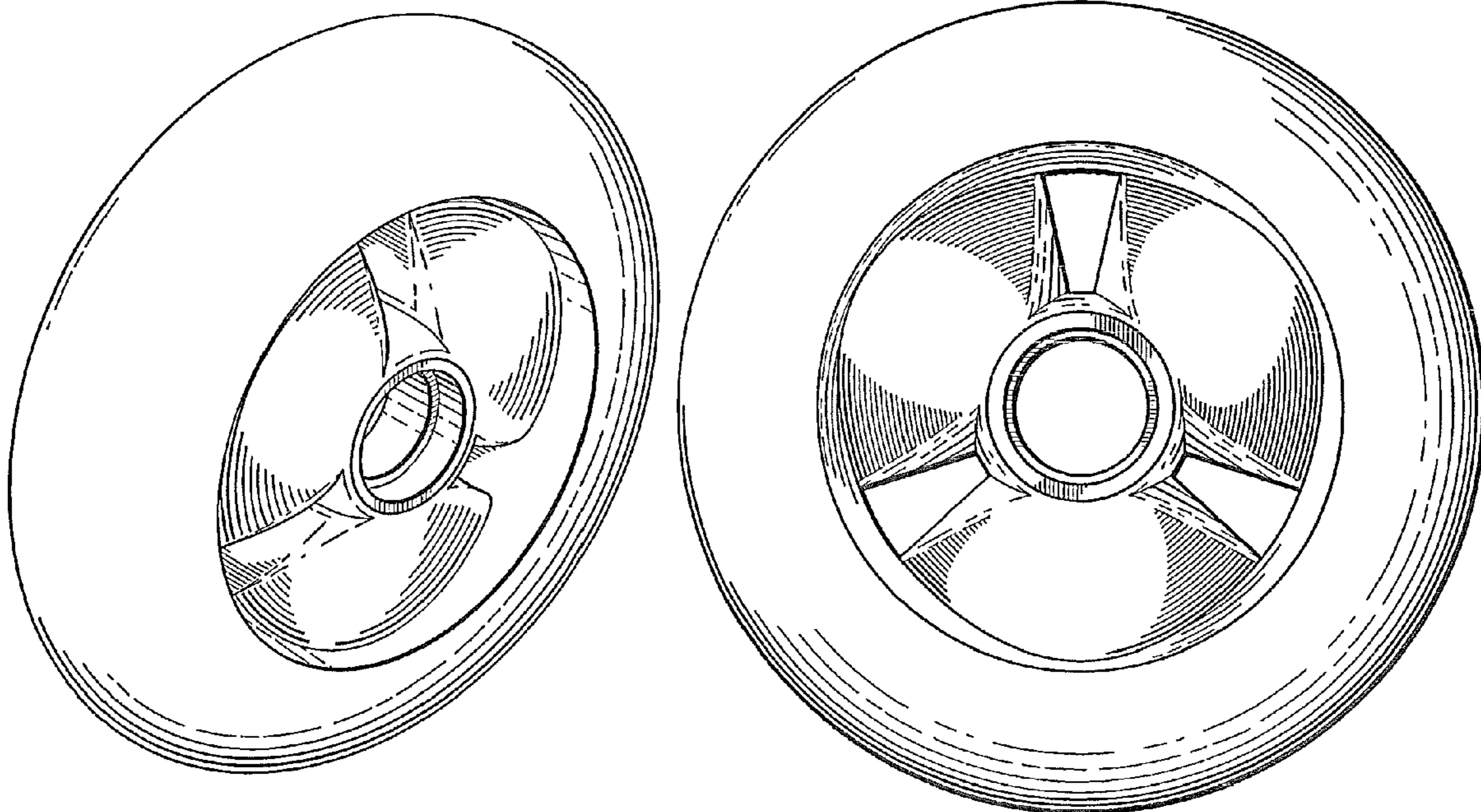


FIG. 1

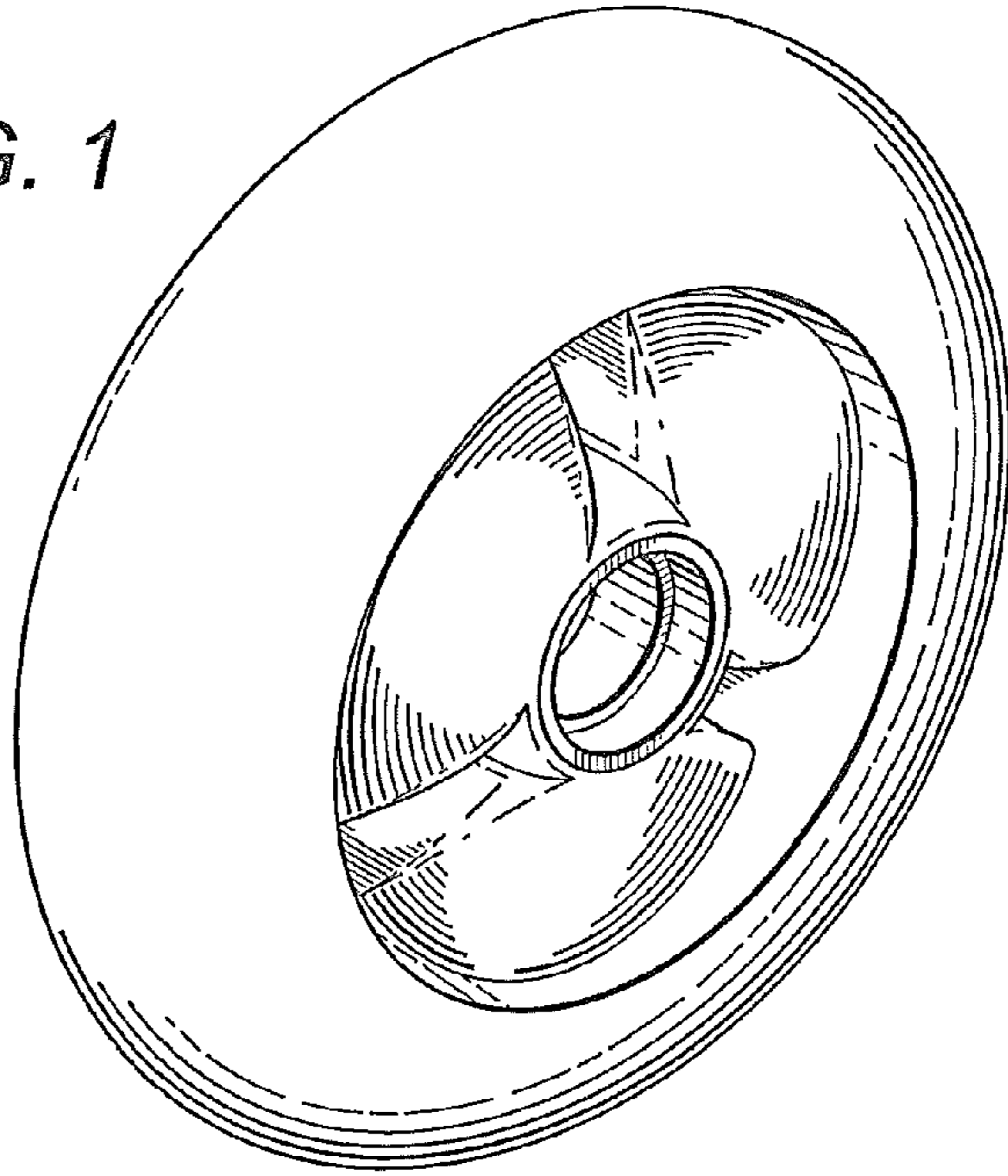


FIG. 2

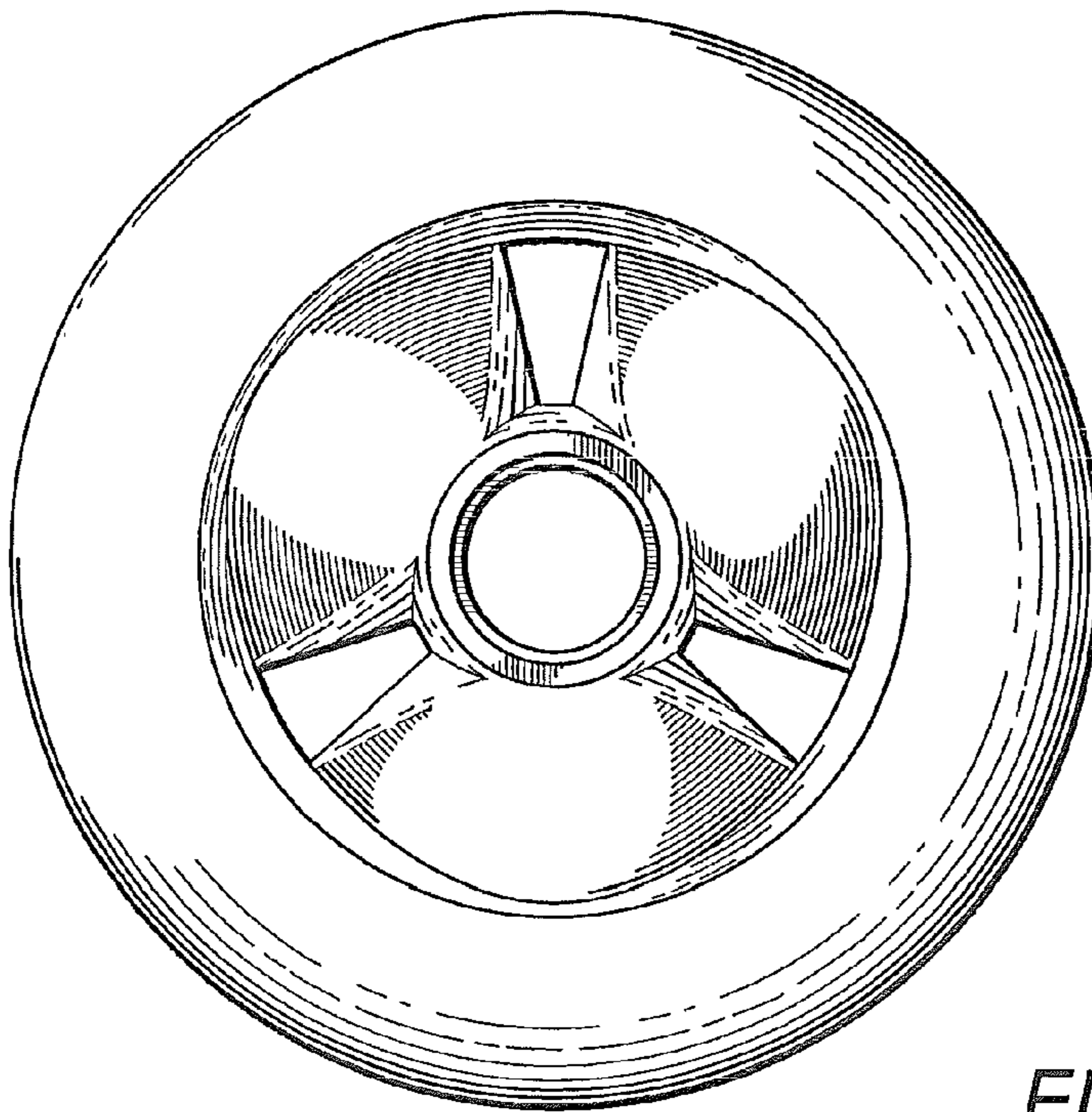


FIG. 3

