



US00D721149S

(12) **United States Design Patent**  
**Piper**

(10) **Patent No.:** **US D721,149 S**

(45) **Date of Patent:** **\*\* Jan. 13, 2015**

(54) **WHEEL**

(71) Applicant: **Neal Piper**, Huntington Beach, CA (US)

(72) Inventor: **Neal Piper**, Huntington Beach, CA (US)

(73) Assignee: **Aend Industries**, Huntington Beach, CA (US)

(\*\*) Term: **14 Years**

(21) Appl. No.: **29/484,413**

(22) Filed: **Mar. 10, 2014**

(51) **LOC (10) Cl.** ..... **21-02**

(52) **U.S. Cl.**  
USPC ..... **D21/779**

(58) **Field of Classification Search**

USPC ..... D21/563, 761, 762, 763, 765, 771, 779;  
D12/204-213; 280/11.19, 11.215,  
280/11.221-11.26, 11.28, 11.32, 87.042,  
280/809, 816; 152/165; 301/5.1, 5.7,  
301/5.301-5.309; D3/318

See application file for complete search history.

(56) **References Cited**

**U.S. PATENT DOCUMENTS**

D107,515 S \* 12/1937 Grange et al. .... D21/779  
D266,396 S \* 10/1982 Neville ..... D21/779

D353,090 S \* 12/1994 Wright ..... D8/375  
D384,718 S \* 10/1997 Lee ..... D21/779  
D391,331 S \* 2/1998 Lee ..... D21/779  
D475,109 S \* 5/2003 Washburn ..... D21/761  
D489,108 S \* 4/2004 Washburn ..... D21/761  
7,314,223 B2 \* 1/2008 Lin ..... 280/87.042  
D685,047 S \* 6/2013 Alexander ..... D21/779  
D685,048 S \* 6/2013 Alexander ..... D21/779

\* cited by examiner

*Primary Examiner* — Cynthia M Chin

(74) *Attorney, Agent, or Firm* — Rutan & Tucker LLP; Hani Z. Sayed

(57) **CLAIM**

The ornamental design for a wheel, as shown and described.

**DESCRIPTION**

FIG. 1 is top, front, left side perspective view of the wheel of my new design;

FIG. 2 is front elevation view;

FIG. 3 is a side elevation view, the device being rotationally symmetric;

FIG. 4 is a rear elevation view;

FIG. 5 is a top, rear, right side exploded perspective view; and,

FIG. 6 is a cross-section view taken along line 6-6 of FIG. 4.

**1 Claim, 3 Drawing Sheets**

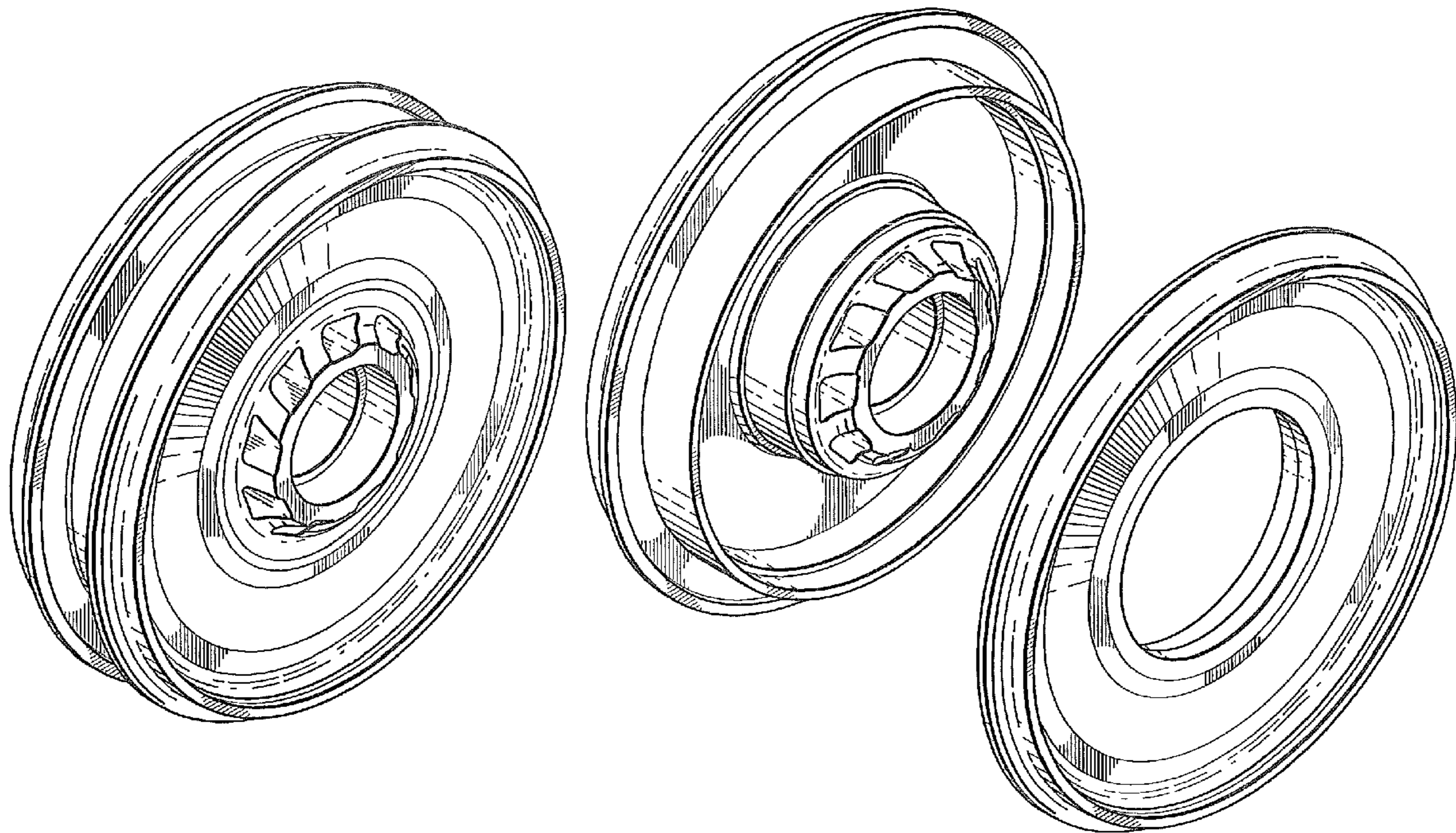


FIG. 1

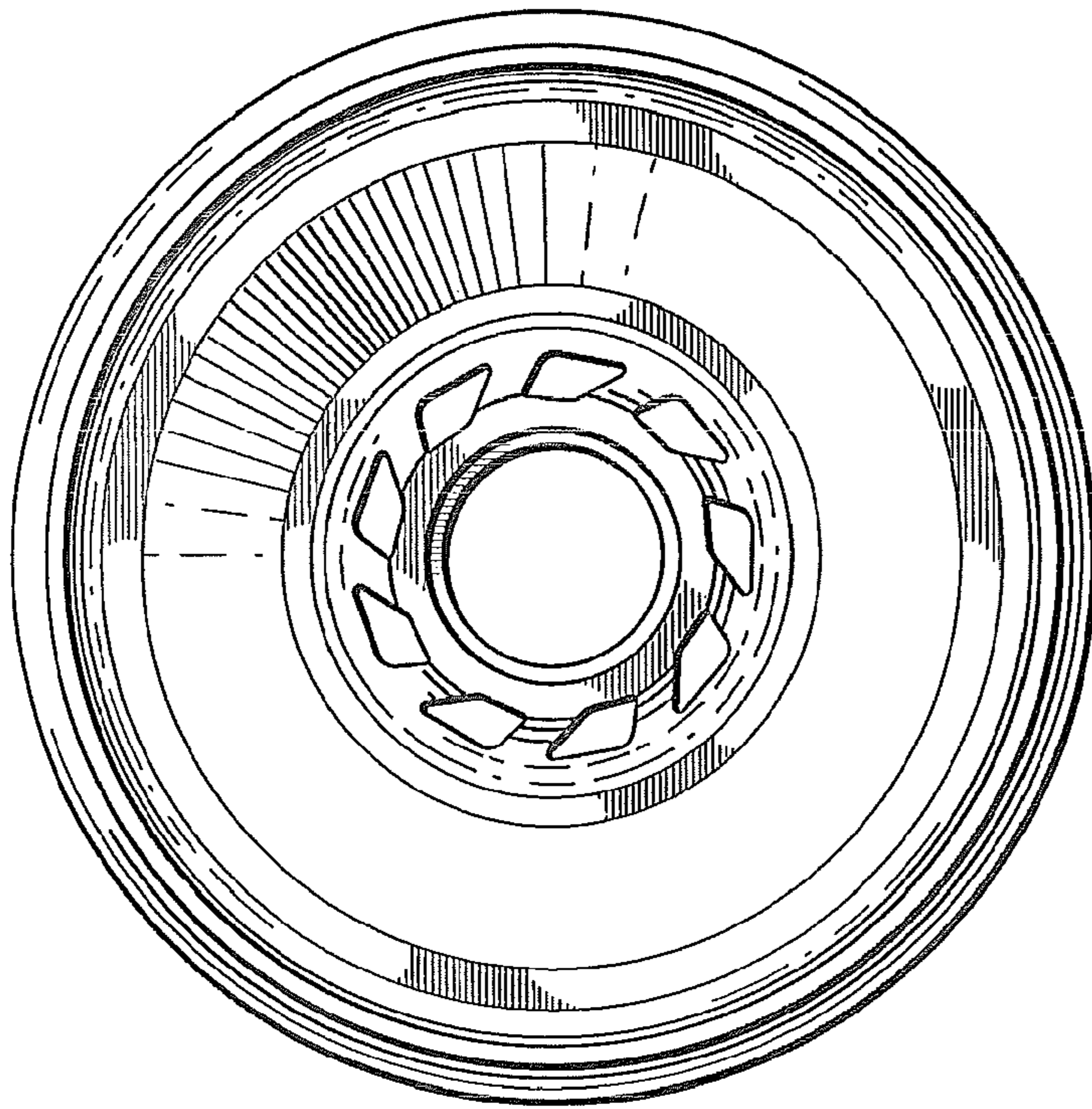
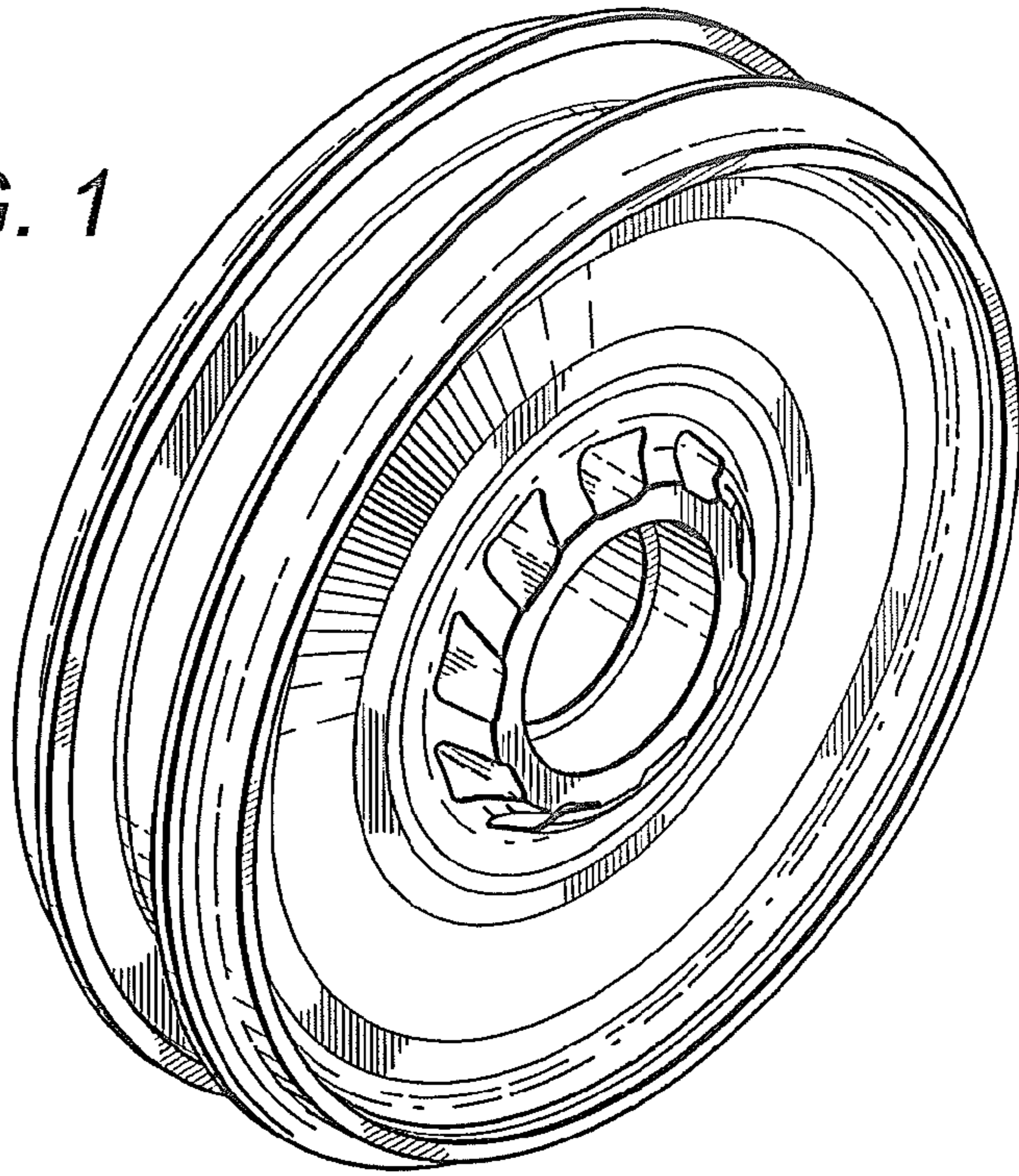


FIG. 2

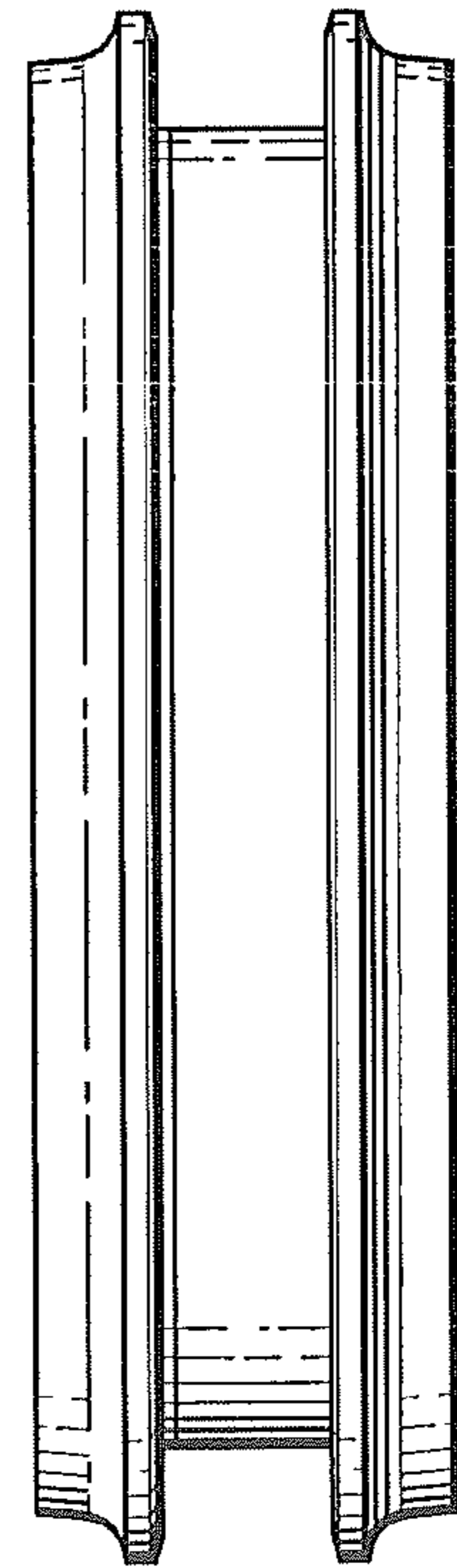


FIG. 3

FIG. 4

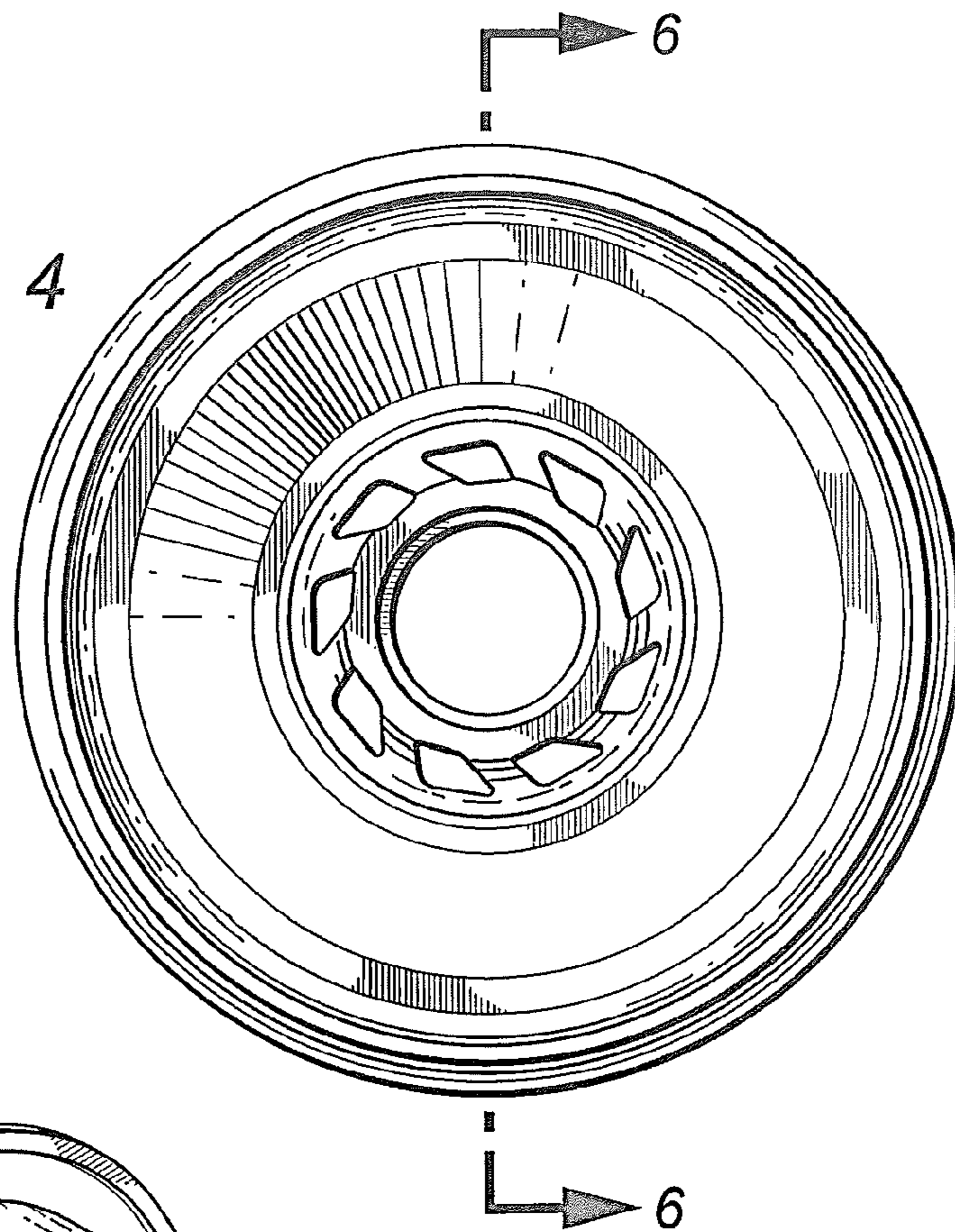
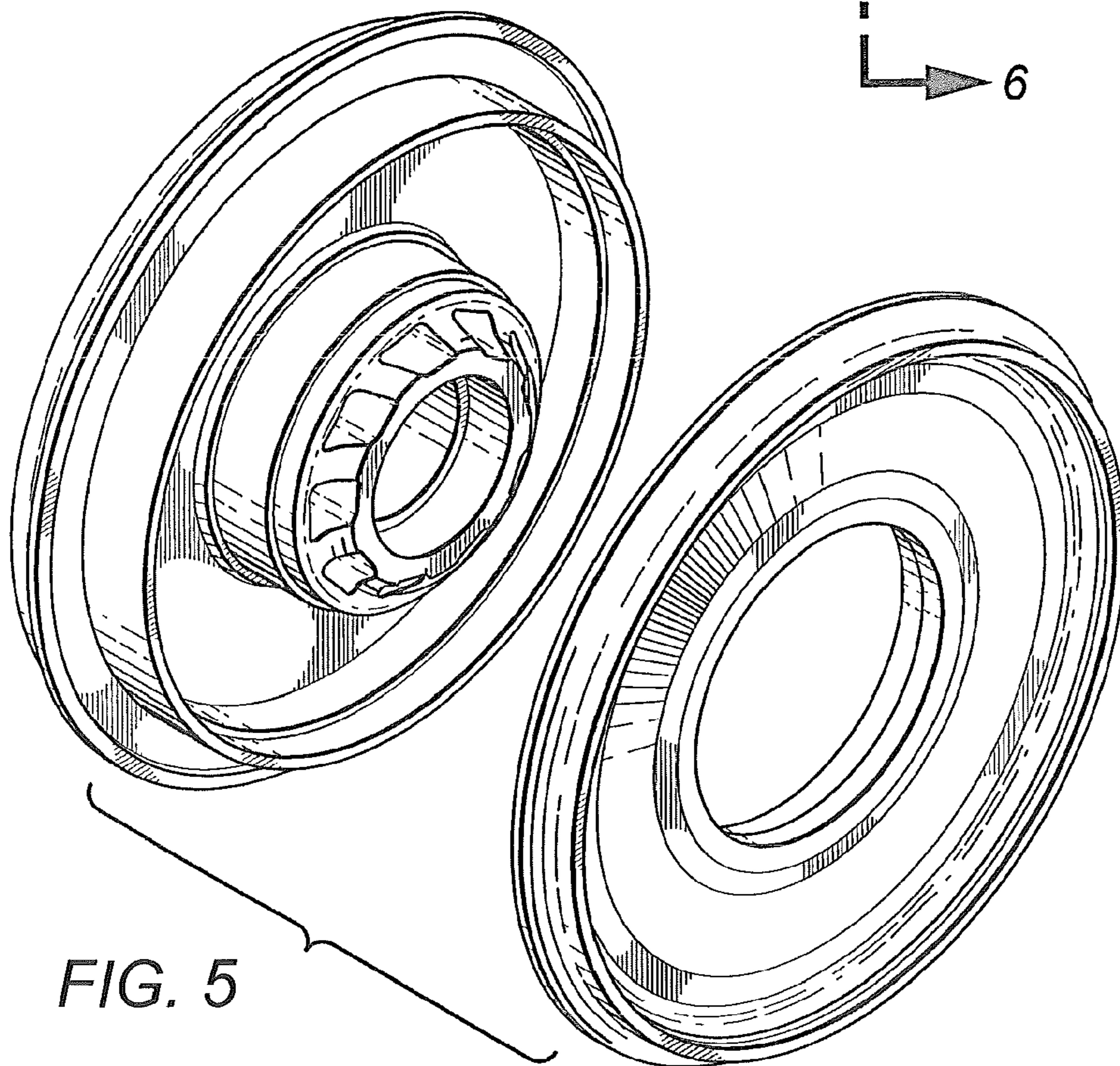


FIG. 5



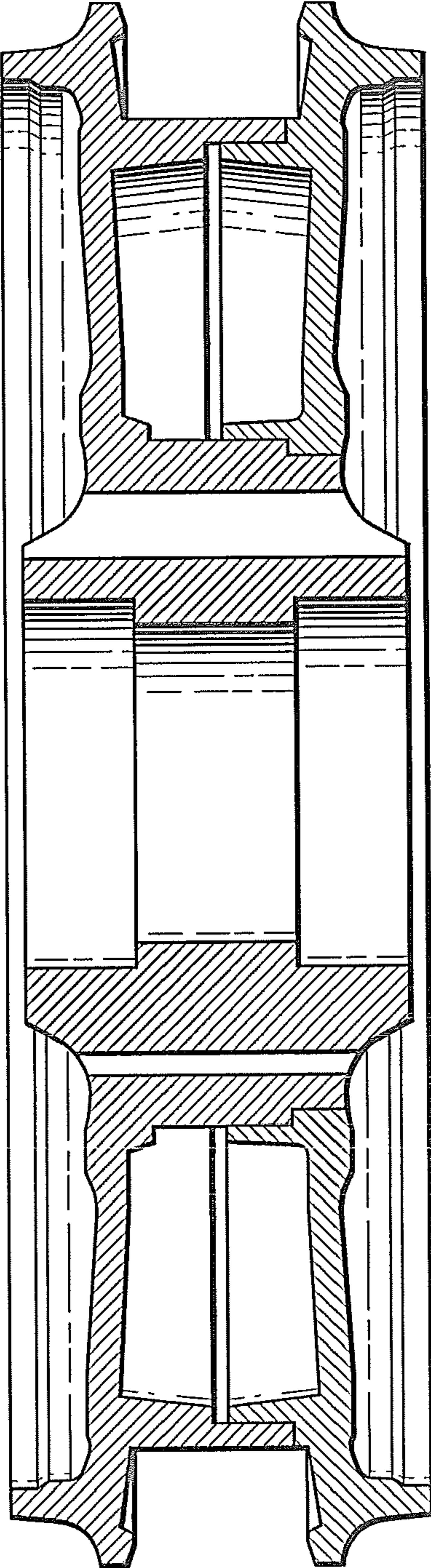


FIG. 6