

US00D721146S

(12) **United States Design Patent**
Hough

(10) **Patent No.:** **US D721,146 S**
(45) **Date of Patent:** **** Jan. 13, 2015**

- (54) **GOLF PUTTER HEAD**
- (71) Applicant: **John L. Hough**, Gibsonia, PA (US)
- (72) Inventor: **John L. Hough**, Gibsonia, PA (US)
- (**) Term: **14 Years**
- (21) Appl. No.: **29/483,166**
- (22) Filed: **Feb. 26, 2014**
- (51) **LOC (10) Cl.** **21-02**
- (52) **U.S. Cl.**
USPC **D21/744**
- (58) **Field of Classification Search**
USPC D21/736-746; 473/324-331, 340-341,
473/251-256
See application file for complete search history.

6,261,190	B1	7/2001	Ashcraft	
D447,199	S *	8/2001	Christensen	D21/743
D458,979	S *	6/2002	Hill et al.	D21/736
7,374,497	B2	5/2008	Brown	
D570,933	S *	6/2008	Kramski	D21/742
7,651,411	B2	1/2010	Jones	
7,766,762	B2	8/2010	Stellander	
D682,957	S *	5/2013	Welch et al.	D21/736
8,480,504	B2	7/2013	Hilton	
8,517,852	B1	8/2013	Hilton	
8,550,931	B1	10/2013	Hilton	
2013/0210537	A1	8/2013	Ainscough	

* cited by examiner

Primary Examiner — Mitchell Siegel
(74) *Attorney, Agent, or Firm* — Ronald Law Group, LLC

(57) **CLAIM**
The ornamental design for a golf putter head, as shown and described.

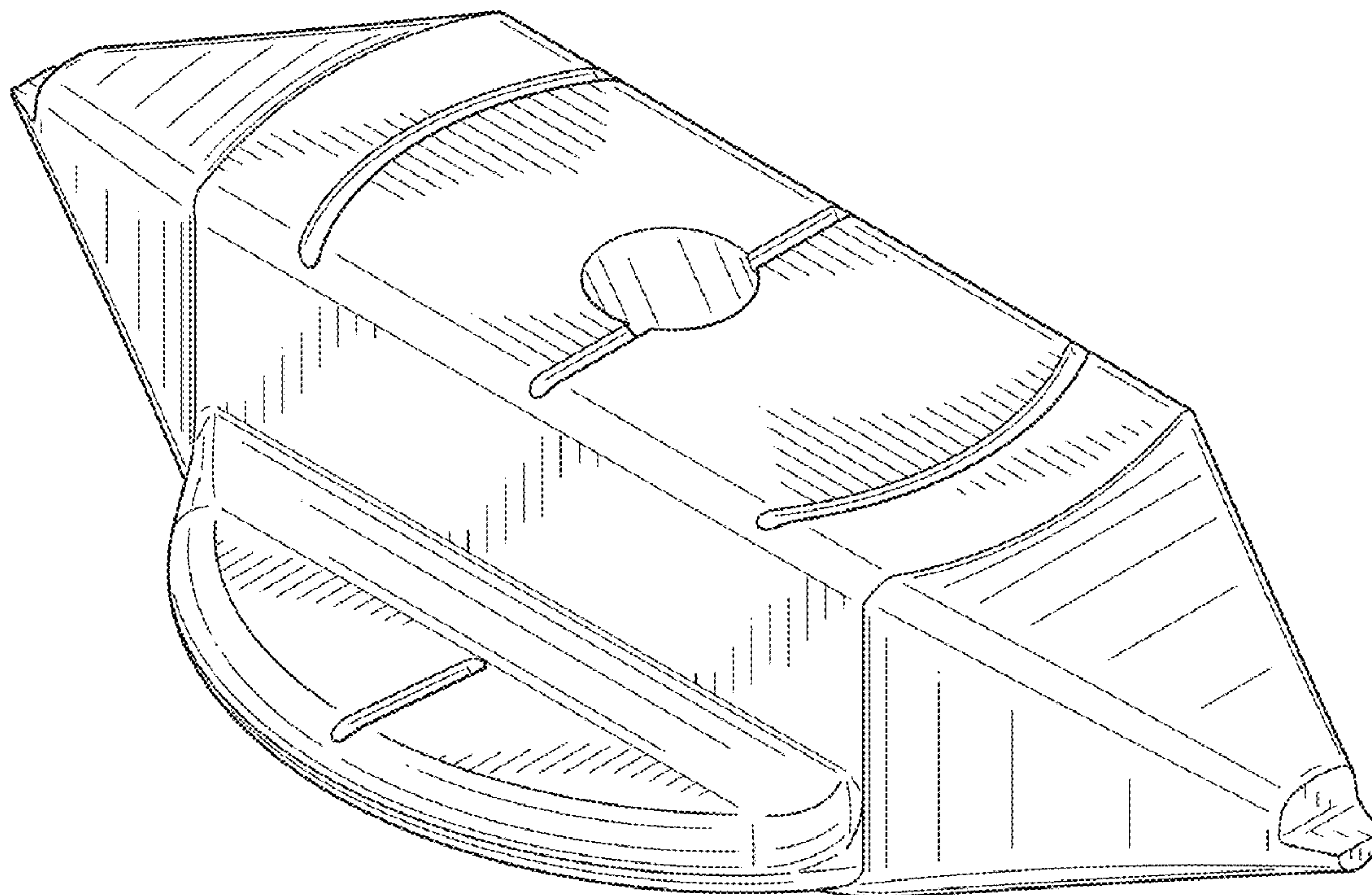
DESCRIPTION

FIG. 1 is a top perspective view of a golf putter head showing my new design;
FIG. 2 is a top plan view thereof;
FIG. 3 is a rear elevation view thereof;
FIG. 4 is a bottom plan view thereof;
FIG. 5 is a front elevation view thereof;
FIG. 6 is a right side elevation view thereof; and,
FIG. 7 is a left side elevation view thereof.

1 Claim, 4 Drawing Sheets

(56) **References Cited**
U.S. PATENT DOCUMENTS

3,880,430	A	4/1975	McCabe	
D247,381	S *	2/1978	Adkins	D21/743
D325,949	S *	5/1992	Harris, Jr.	D21/741
D335,691	S *	5/1993	Barker et al.	D21/736
D364,664	S *	11/1995	McNamara	D21/741
D432,607	S *	10/2000	Uebelhor	D21/736
D435,072	S *	12/2000	Jaekel	D21/738



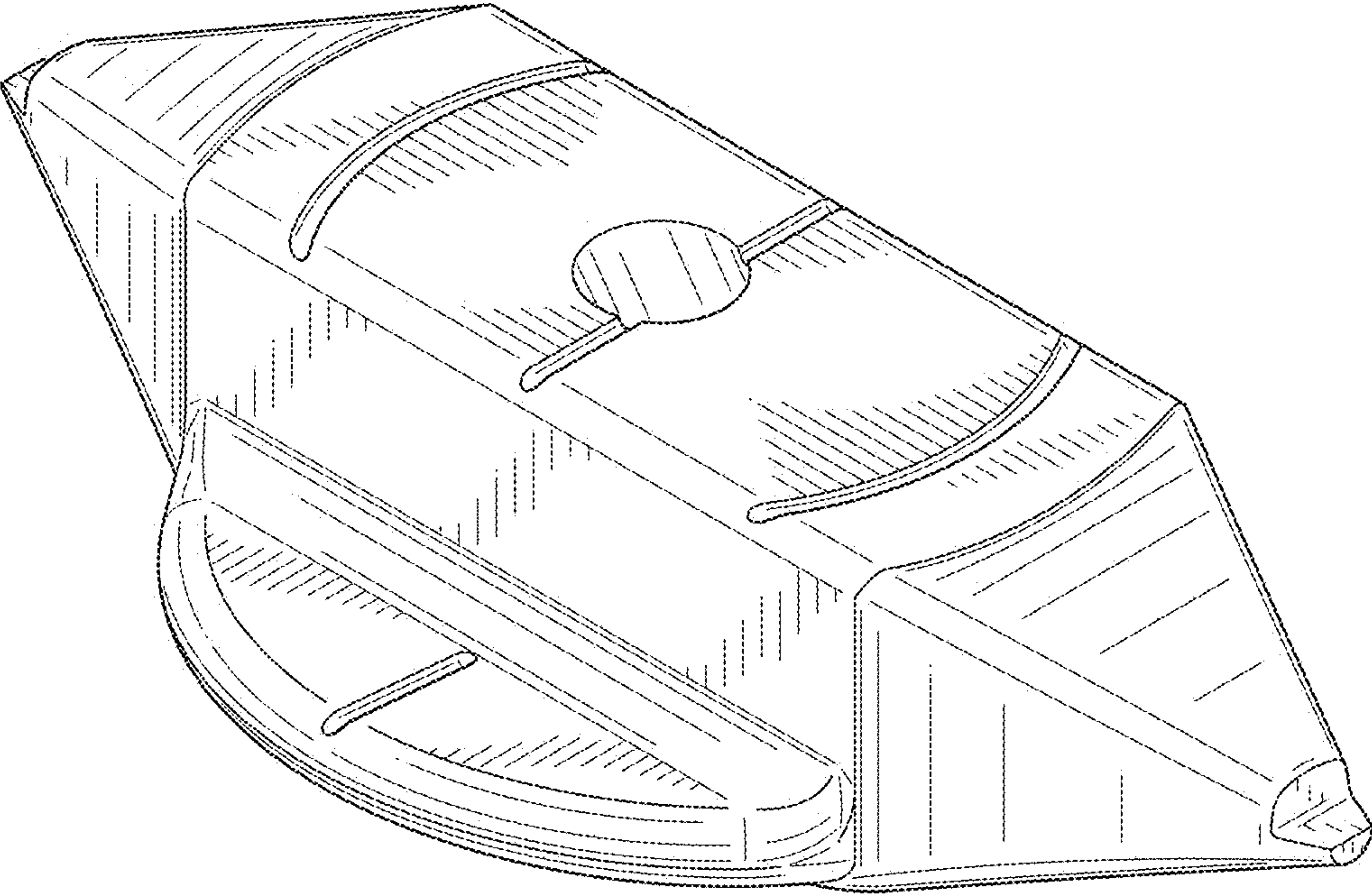


FIG. 1

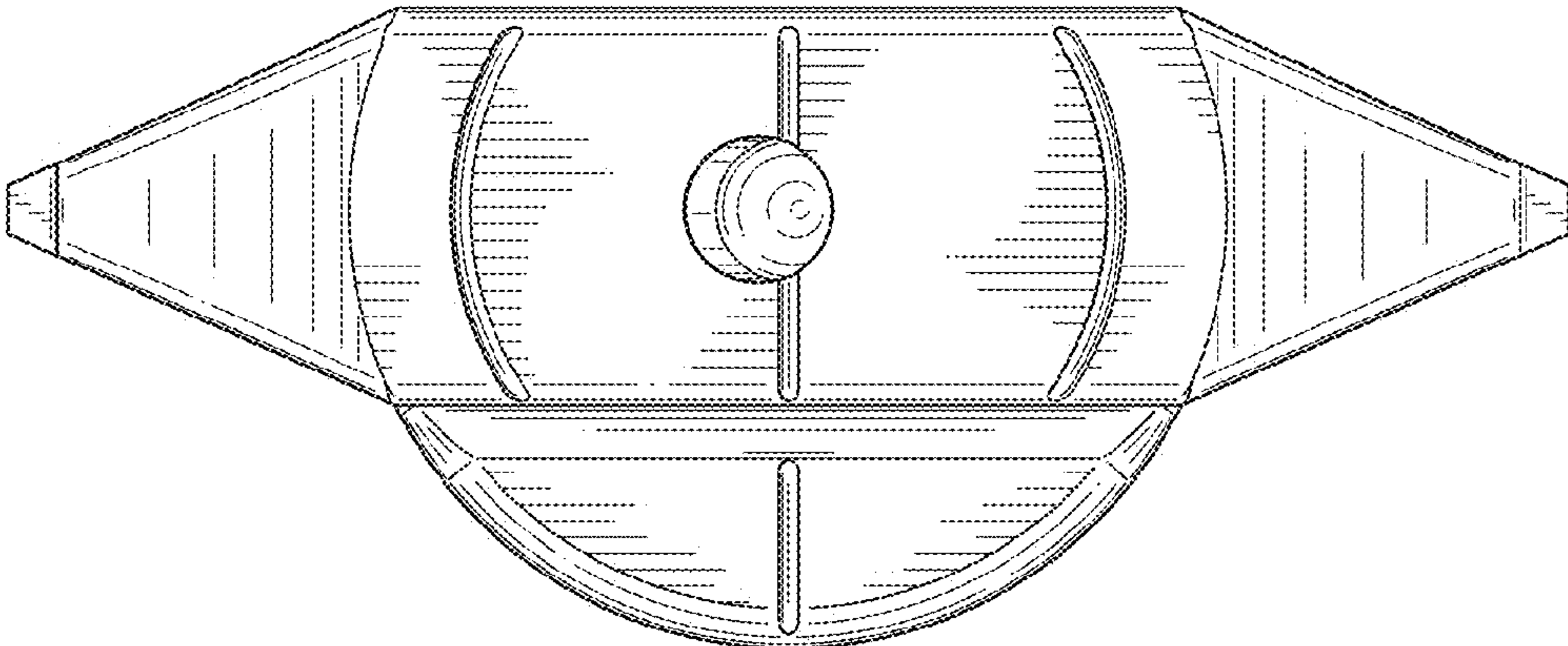


FIG. 2

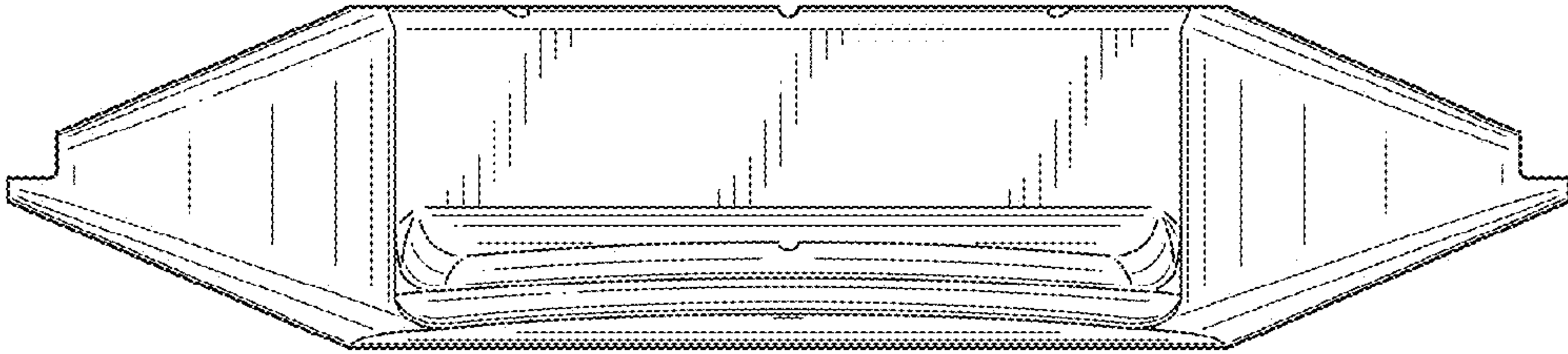


FIG. 3

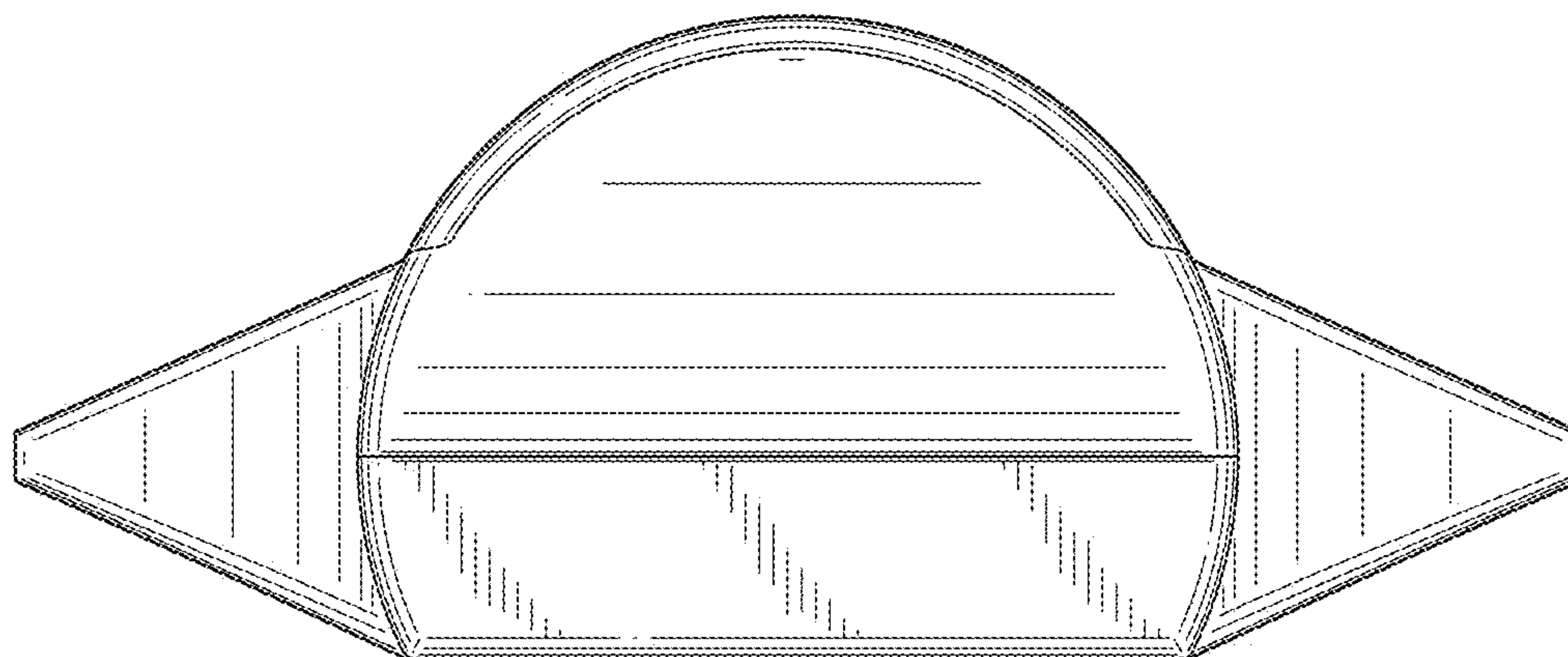


FIG. 4

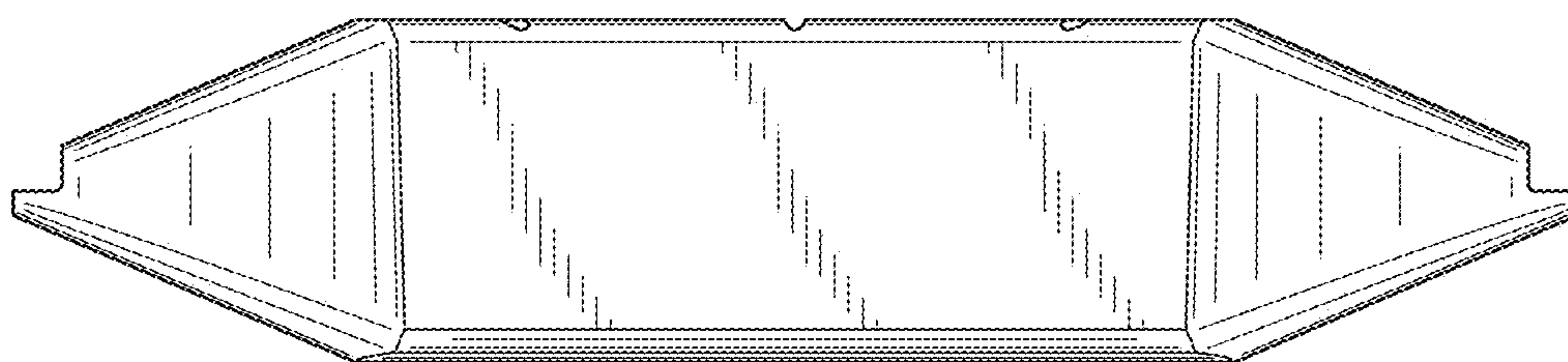


FIG. 5

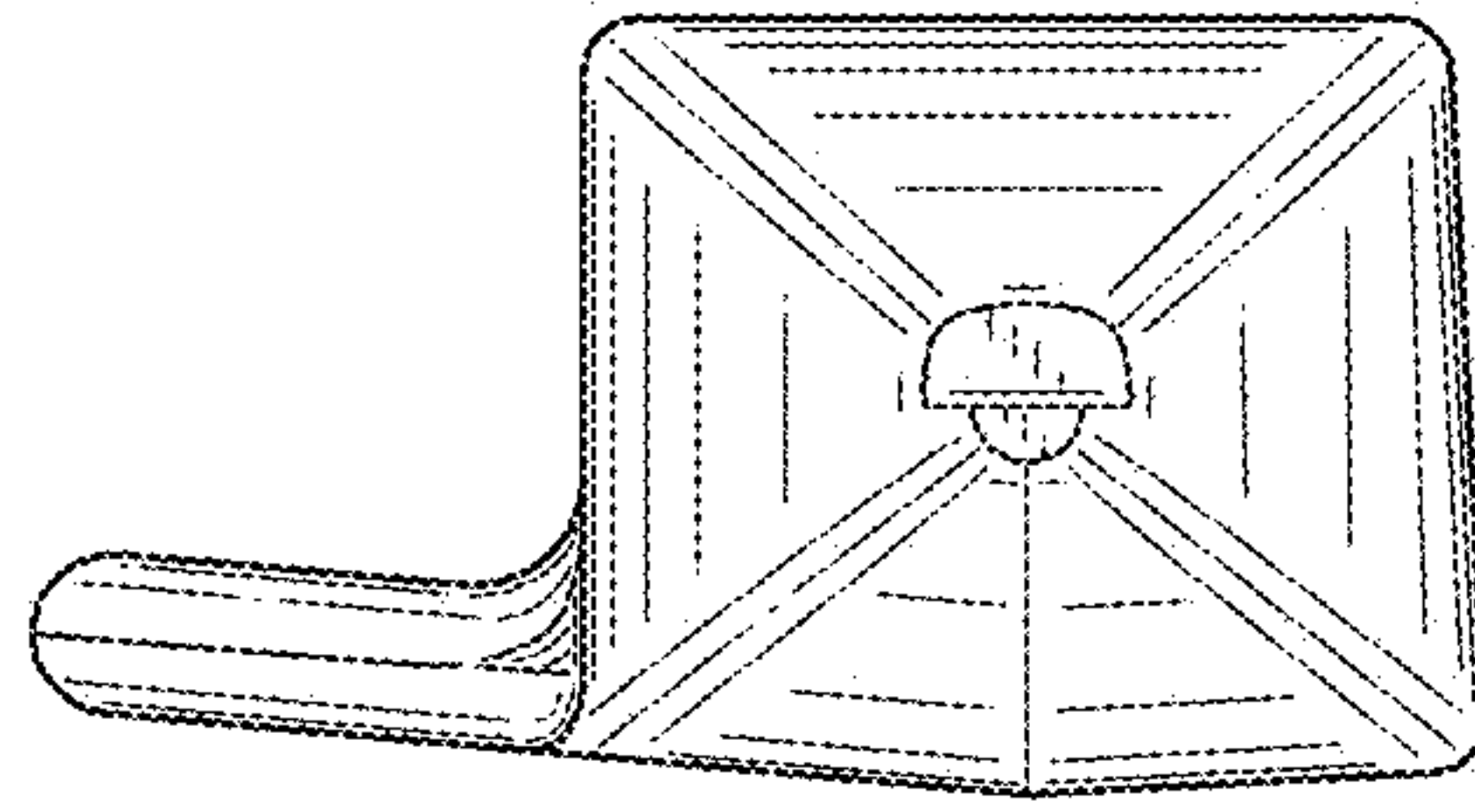


FIG. 6

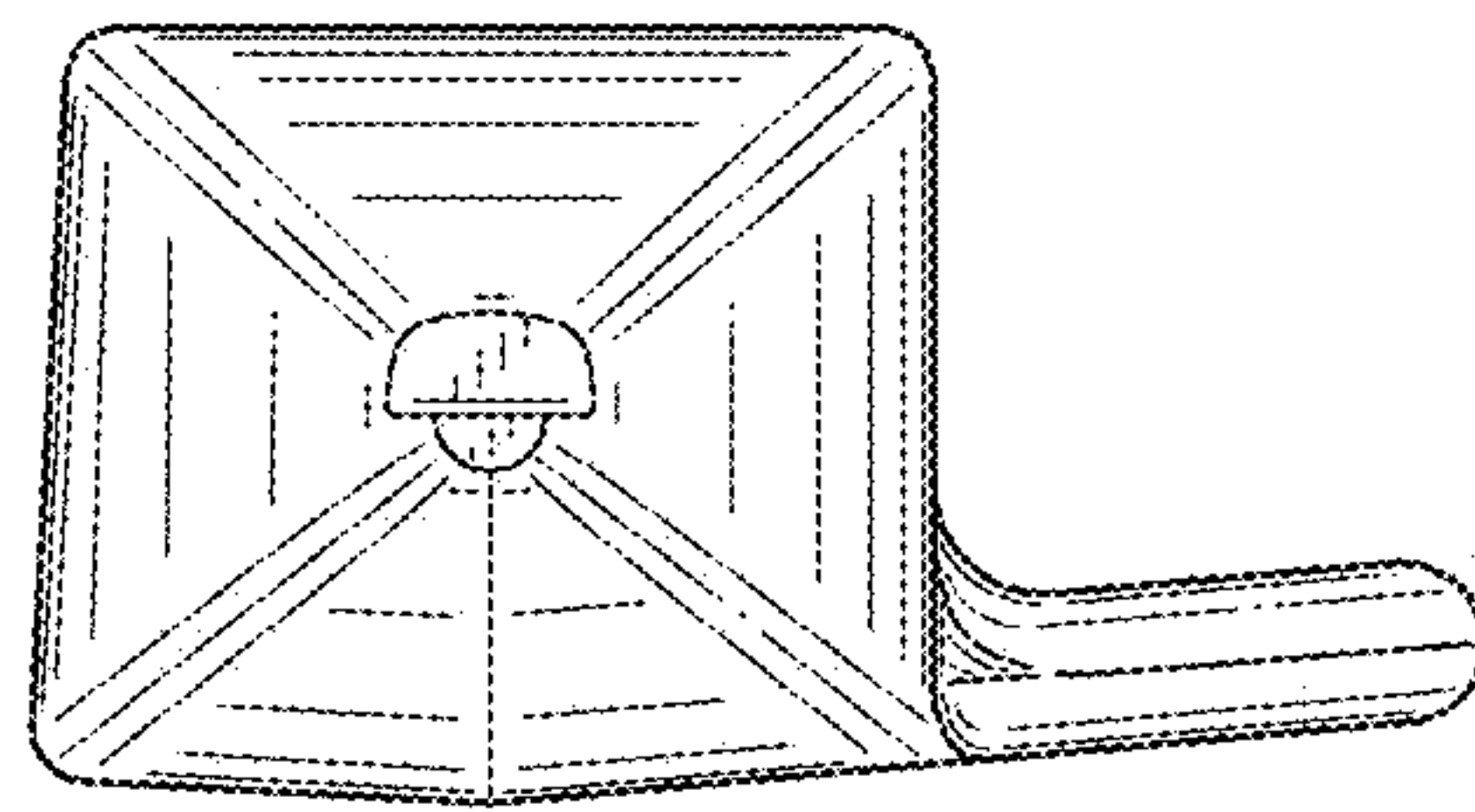


FIG. 7