



US00D721144S

(12) **United States Design Patent**
Goldberg

(10) **Patent No.:** **US D721,144 S**
(45) **Date of Patent:** **** Jan. 13, 2015**

(54) **FINGER/HAND EXERCISER**
(71) Applicant: **Elliott Goldberg**, Scarsdale, NY (US)
(72) Inventor: **Elliott Goldberg**, Scarsdale, NY (US)
(**) Term: **14 Years**
(21) Appl. No.: **29/483,733**
(22) Filed: **Mar. 2, 2014**
(51) **LOC (10) Cl.** **21-02**
(52) **U.S. Cl.**
USPC **D21/684**
(58) **Field of Classification Search**
USPC 482/47, 45, 49, 48, 44, 121, 105, 122,
482/128, 112, 141, 51, 66, 70, 126, 46, 107,
482/8, 901, 139, 108, 82, 106, 594, 124,
482/131, 11, 93, 97; D21/684, 692, 662,
D21/679, 693, 714, 682; 127/45; D11/133;
D19/97, 82, 96; D27/156; D32/35;
D22/112; 73/379.03; 84/465, 265;
D8/303; D24/211; 74/558; 601/125,
601/133, 135, 137, 204, 38; 473/594
See application file for complete search history.

(56) **References Cited**
U.S. PATENT DOCUMENTS
1,796,216 A * 3/1931 Petterson 482/47
2,947,211 A * 8/1960 Shuman 84/388
3,738,651 A * 6/1973 Norman et al. 482/47
3,847,051 A * 11/1974 Miller 84/387 A

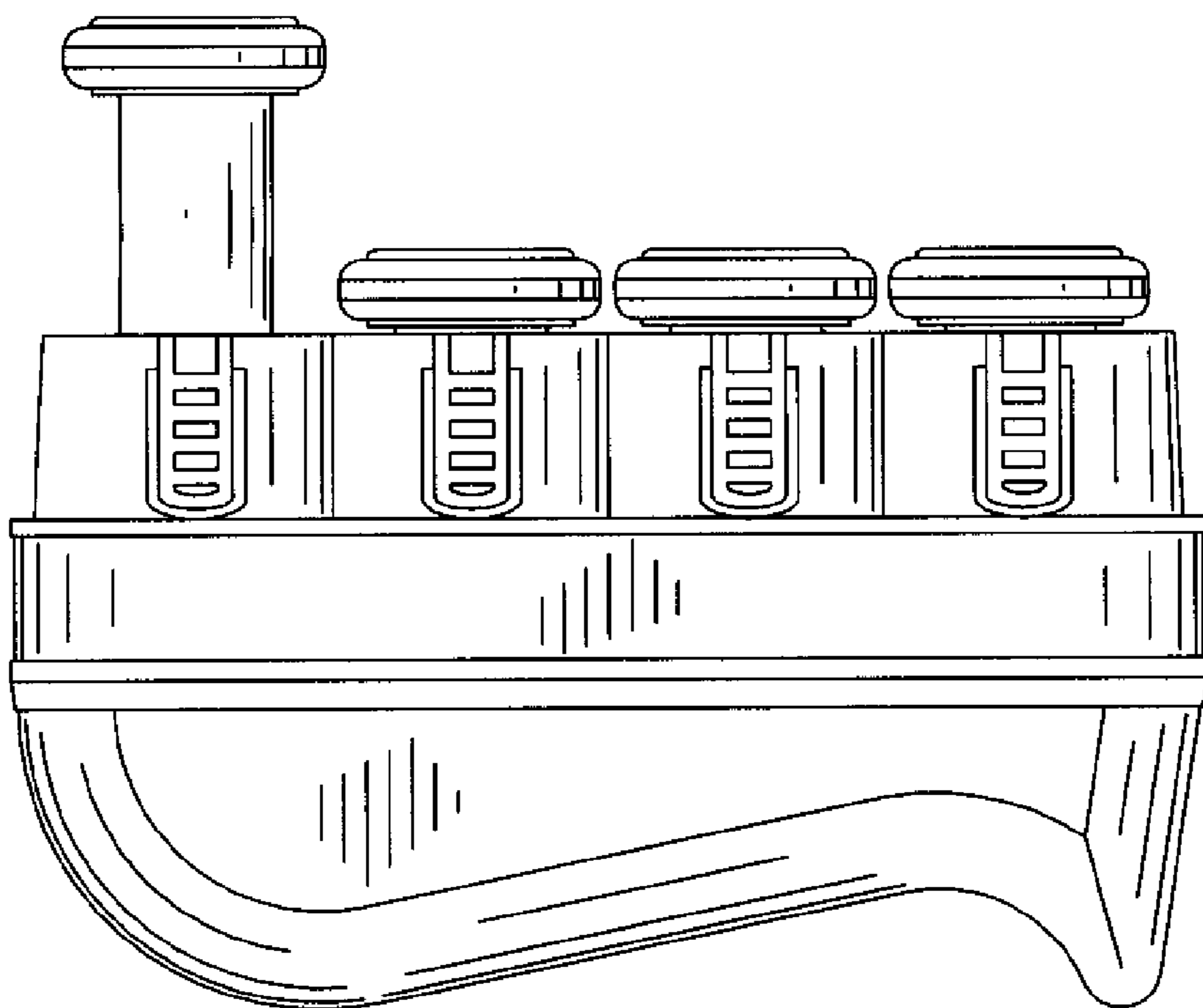
3,937,116 A * 2/1976 Ramirez 84/395
D294,614 S * 3/1988 Ditsch et al. D21/684
D325,411 S * 4/1992 Everly D21/684
5,147,256 A * 9/1992 Silagy 482/47
D352,754 S * 11/1994 Silagy D21/684
D359,779 S * 6/1995 Peters et al. D21/684
5,431,611 A * 7/1995 Silagy 482/47
D405,134 S * 2/1999 Hug D21/684
D416,299 S * 11/1999 Hug D21/684
D418,180 S * 12/1999 Hug D21/684
D418,560 S * 1/2000 Hug D21/684
D419,210 S * 1/2000 Hug D21/684
7,967,732 B2 * 6/2011 D'Addario et al. 482/47
2003/0131710 A1 * 7/2003 Goldiner 84/265
2013/0196825 A1 * 8/2013 Silagy et al. 482/49

* cited by examiner
Primary Examiner — Robert M Spear
Assistant Examiner — Ryan Harvey
(74) *Attorney, Agent, or Firm* — Weiner & Burt, P.C.; Irving
M. Weiner; Pamela D. Burt

(57) **CLAIM**
The ornamental design for a finger/hand exerciser, as shown
and described.

DESCRIPTION
FIG. 1 is a front elevational view of the finger/hand exerciser;
FIG. 2 is a bottom view thereof;
FIG. 3 is a rear elevational view thereof;
FIG. 4 is a top view thereof;
FIG. 5 is a left side elevational view thereof; and,
FIG. 6 is a right side elevational view thereof.

1 Claim, 3 Drawing Sheets



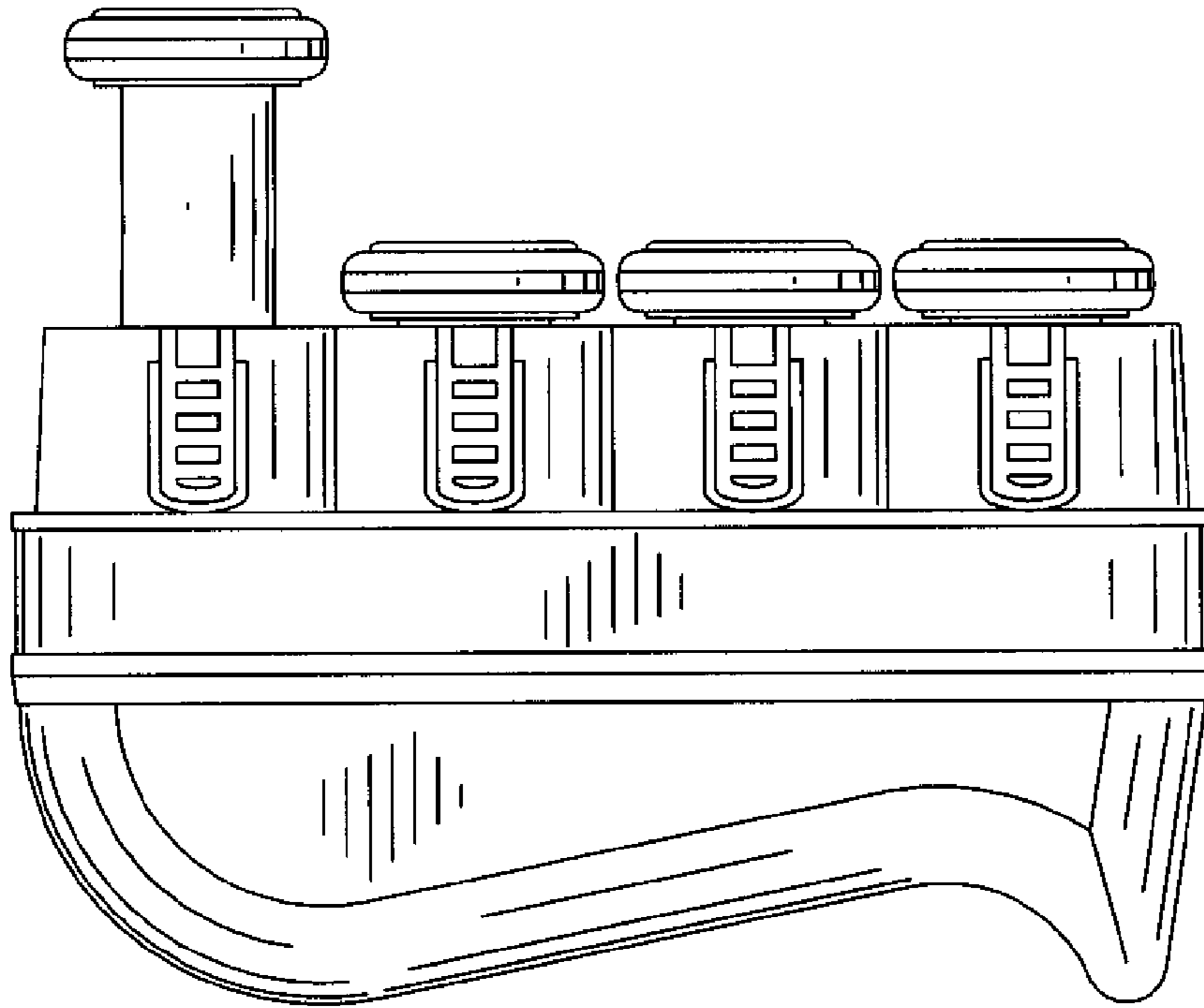


FIG 1

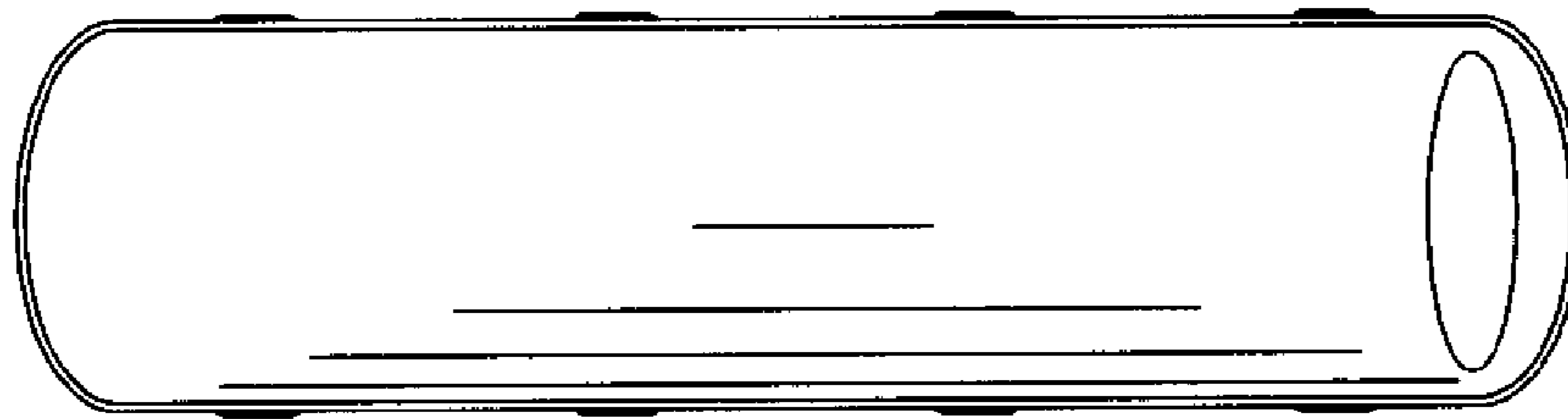


FIG 2

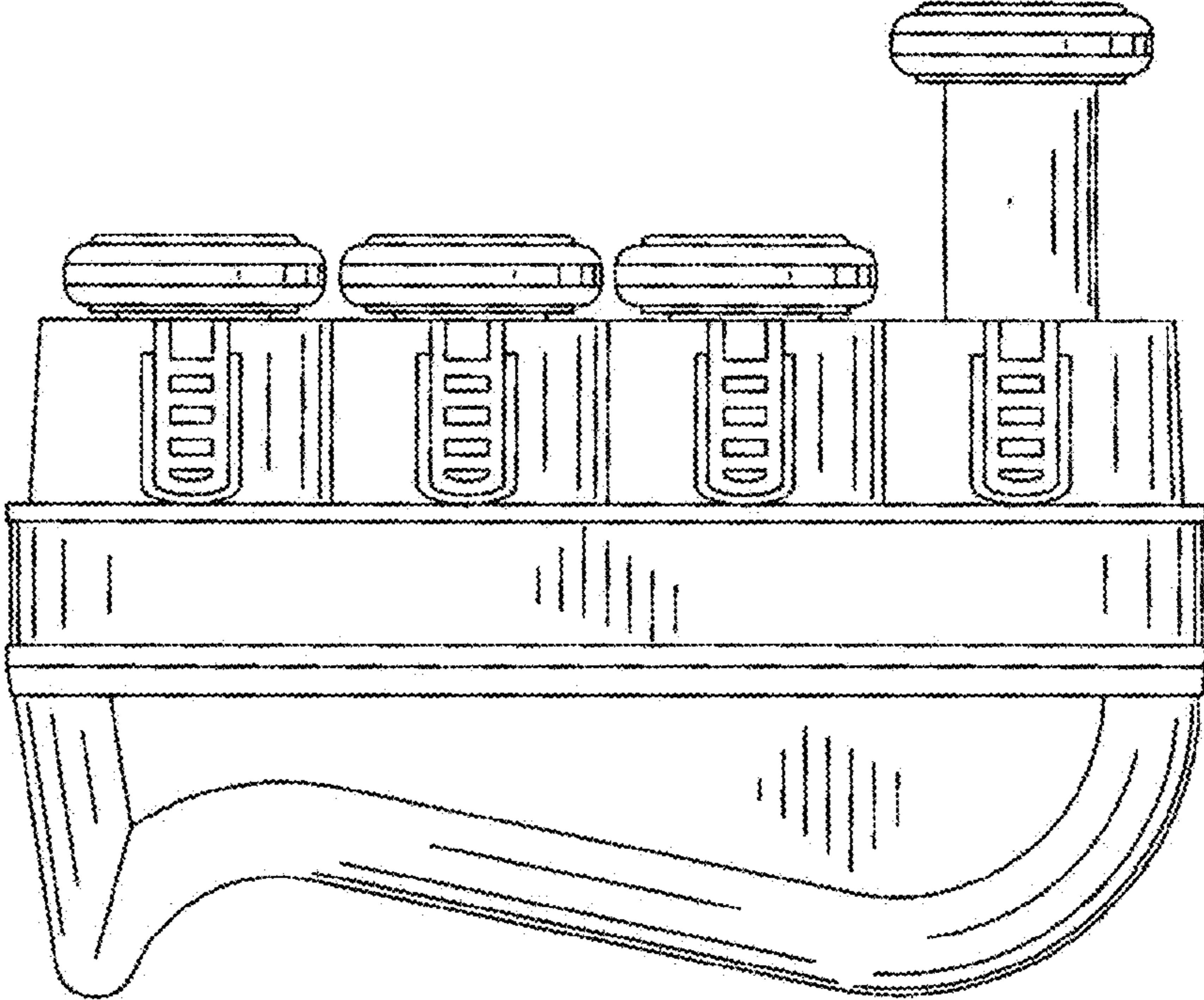


FIG 3

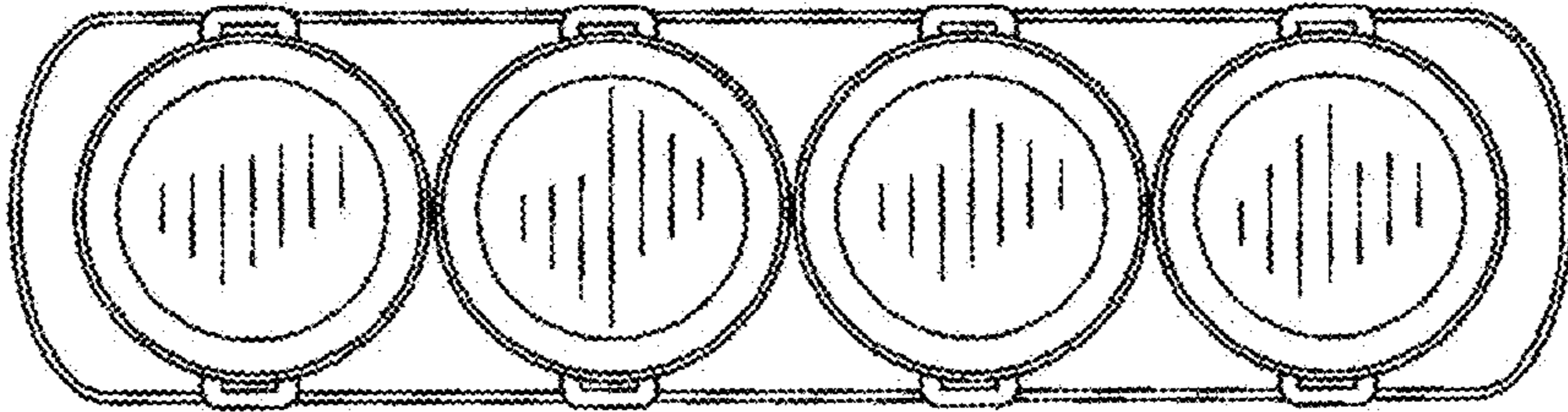


FIG 4

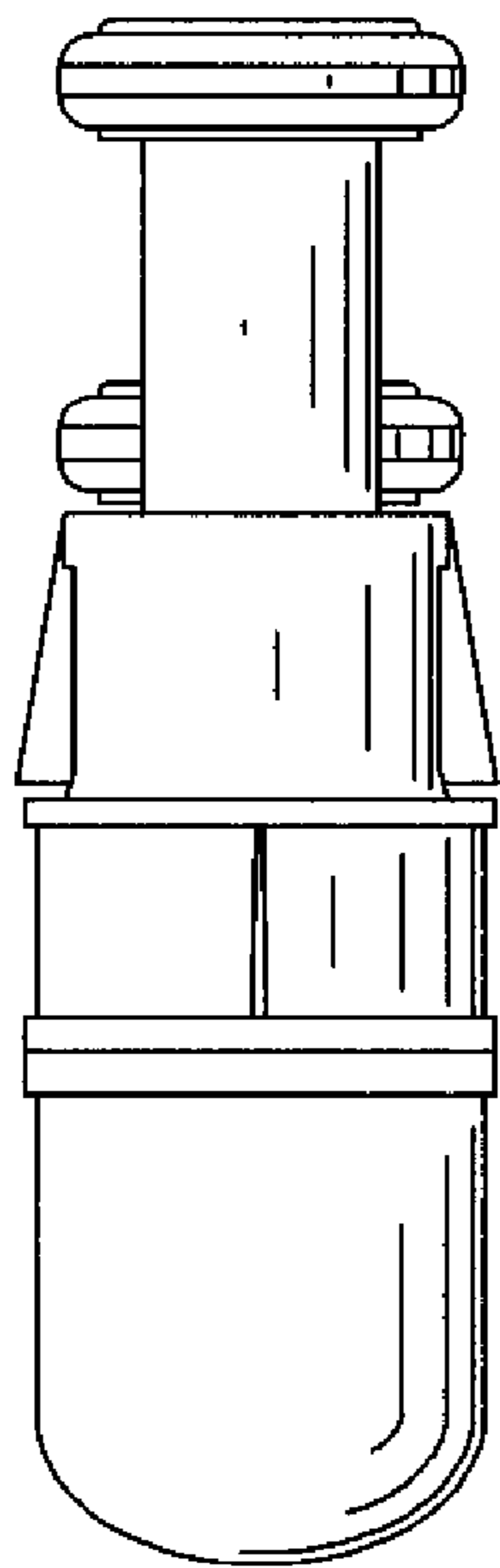


FIG 5

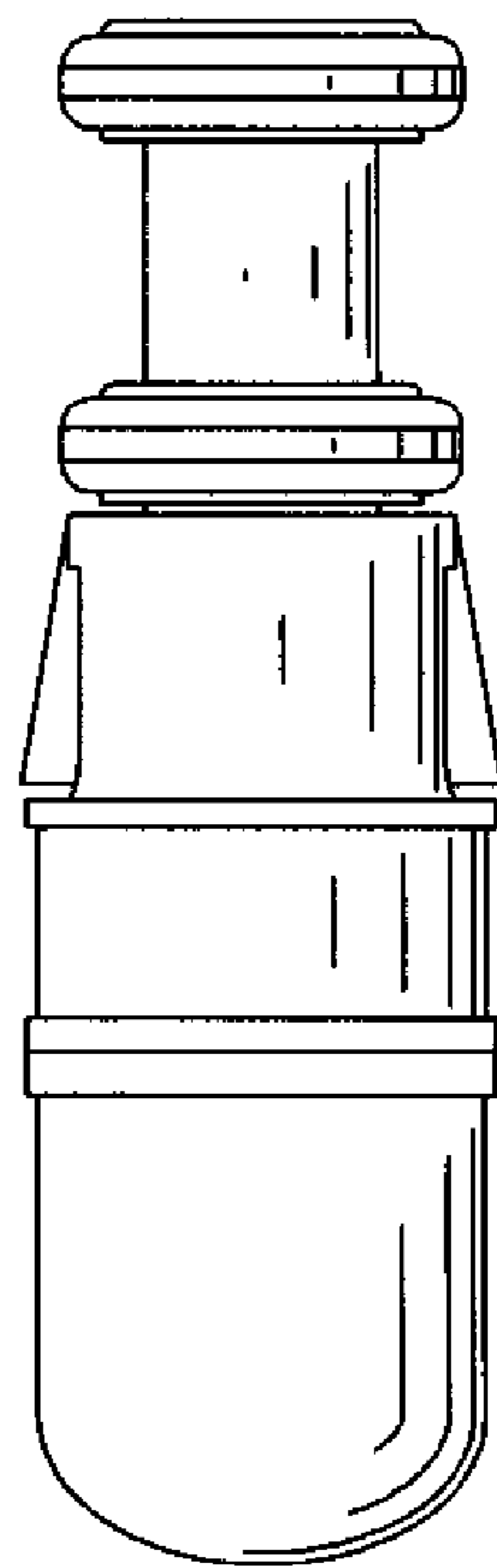


FIG 6