



US00D721143S

(12) **United States Design Patent**  
**Nichols et al.**

(10) **Patent No.:** **US D721,143 S**  
(45) **Date of Patent:** **\*\* Jan. 13, 2015**

(54) **CRANKING CANNON TOY GUN**  
(75) Inventors: **Blake Christopher Nichols**, Tarzana,  
CA (US); **Richard Reed Perkins**, Los  
Angeles, CA (US)  
(73) Assignee: **Lanard Toys Limited**, Hong Kong (CN)  
(\*\*) Term: **14 Years**

D664,604	S *	7/2012	Greiner	.....	D21/570
D673,625	S *	1/2013	Mowbray	.....	D21/573
8,448,365	B2 *	5/2013	Mead et al.	.....	42/54
D687,904	S *	8/2013	Hadley et al.	.....	D21/573
D692,508	S *	10/2013	Pearce	.....	D21/574
2006/0242880	A1 *	11/2006	Griffin	.....	42/73
2010/0231375	A1 *	9/2010	Newman et al.	.....	340/500
2012/0192846	A1 *	8/2012	Rice et al.	.....	124/77
2013/0239936	A1 *	9/2013	Victor et al.	.....	124/16

(21) Appl. No.: **29/414,016**  
(22) Filed: **Feb. 23, 2012**  
(51) **LOC (10) Cl.** ..... **21-01**  
(52) **U.S. Cl.**  
USPC ..... **D21/574**  
(58) **Field of Classification Search**  
CPC ..... A63B 69/407; F41B 7/003  
USPC ..... D21/574, 573, 570, 575, 571, 567;  
D22/100, 104, 108; 124/16, 25.7, 27,  
124/45, 82, 23.1, 35.2; 222/79; 446/401,  
446/403, 400  
See application file for complete search history.

**OTHER PUBLICATIONS**

“Cranking Cannon.” Xump. Web.archive.org. Web. Aug. 18, 2012.\*  
“Cranking Cannon Disc Shooter.” Kids Woot! Web.archive.org. Web.  
Jun. 10, 2013.\*

\* cited by examiner

*Primary Examiner* — Susan E Krakower  
*Assistant Examiner* — Kendra L Hamilton  
(74) *Attorney, Agent, or Firm* — Lerner, David, Littenberg,  
Krumholz & Mentlik, LLP

(57) **CLAIM**  
The ornamental design for a cranking cannon toy gun, as  
shown and described.

**DESCRIPTION**

FIG. 1 is a left side view of a cranking cannon toy gun  
showing our new design;  
FIG. 2 is a right side view thereof.  
FIG. 3 is a front elevation view thereof;  
FIG. 4 is a rear elevation view thereof;  
FIG. 5 is a top plan view thereof; and,  
FIG. 6 is a bottom plan view thereof.  
The broken lines represent the portions of the cranking can-  
non toy gun that form no part of the claimed design.

(56) **References Cited**

U.S. PATENT DOCUMENTS

4,750,641	A *	6/1988	Chin-Fu	.....	222/79
D352,976	S *	11/1994	Hsieh	.....	D21/573
D374,463	S *	10/1996	Butler et al.	.....	D14/418
D436,356	S *	1/2001	Lee	.....	D14/418
D512,751	S *	12/2005	Malmloff	.....	D21/573
D521,568	S *	5/2006	Hussaini et al.	.....	D21/333
7,051,727	B2 *	5/2006	Wu	.....	124/6
7,287,526	B1 *	10/2007	Bligh et al.	.....	124/63
D558,837	S *	1/2008	Orr	.....	D21/573
D594,914	S *	6/2009	Choi et al.	.....	D21/573

**1 Claim, 6 Drawing Sheets**

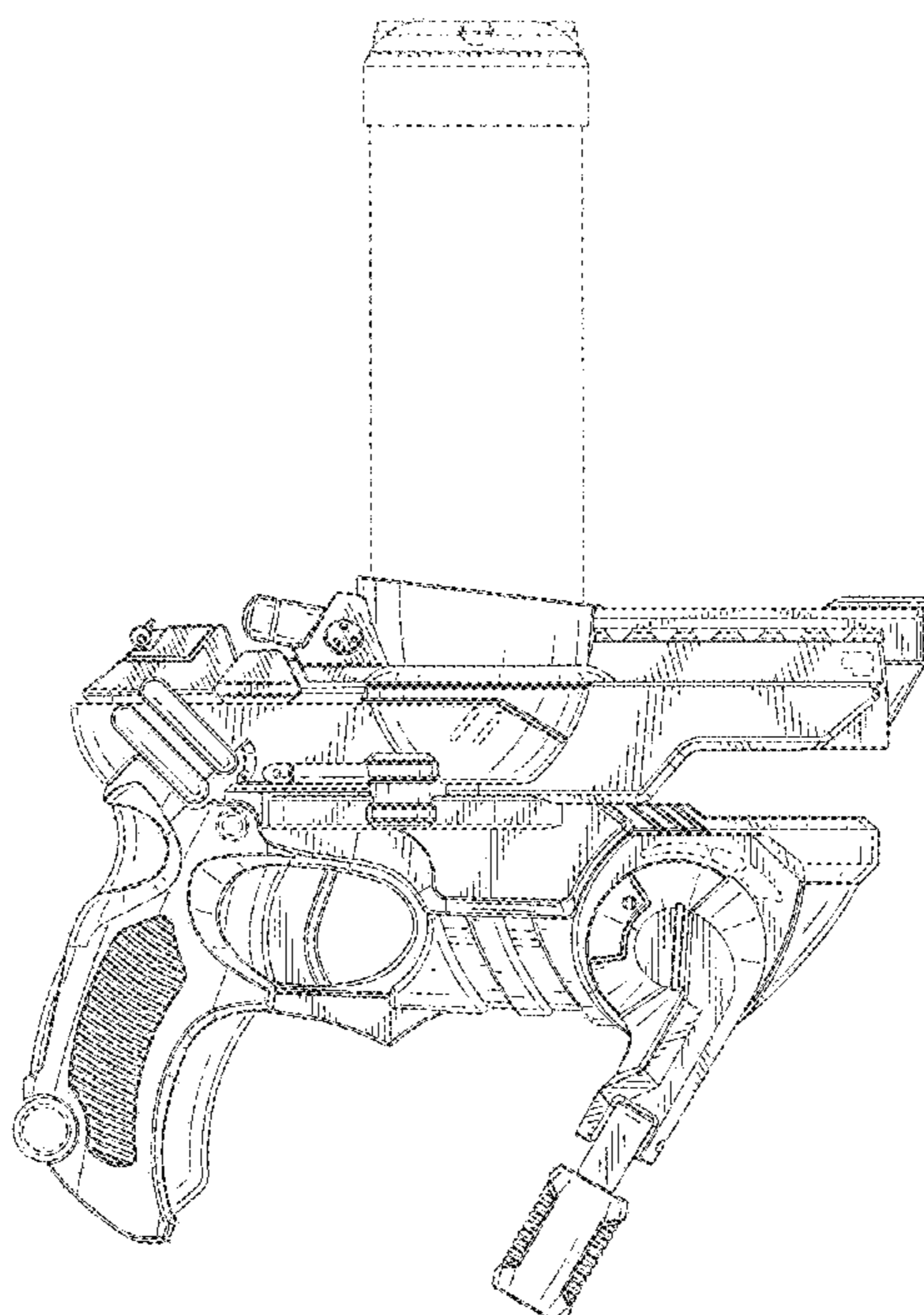


FIG. 1

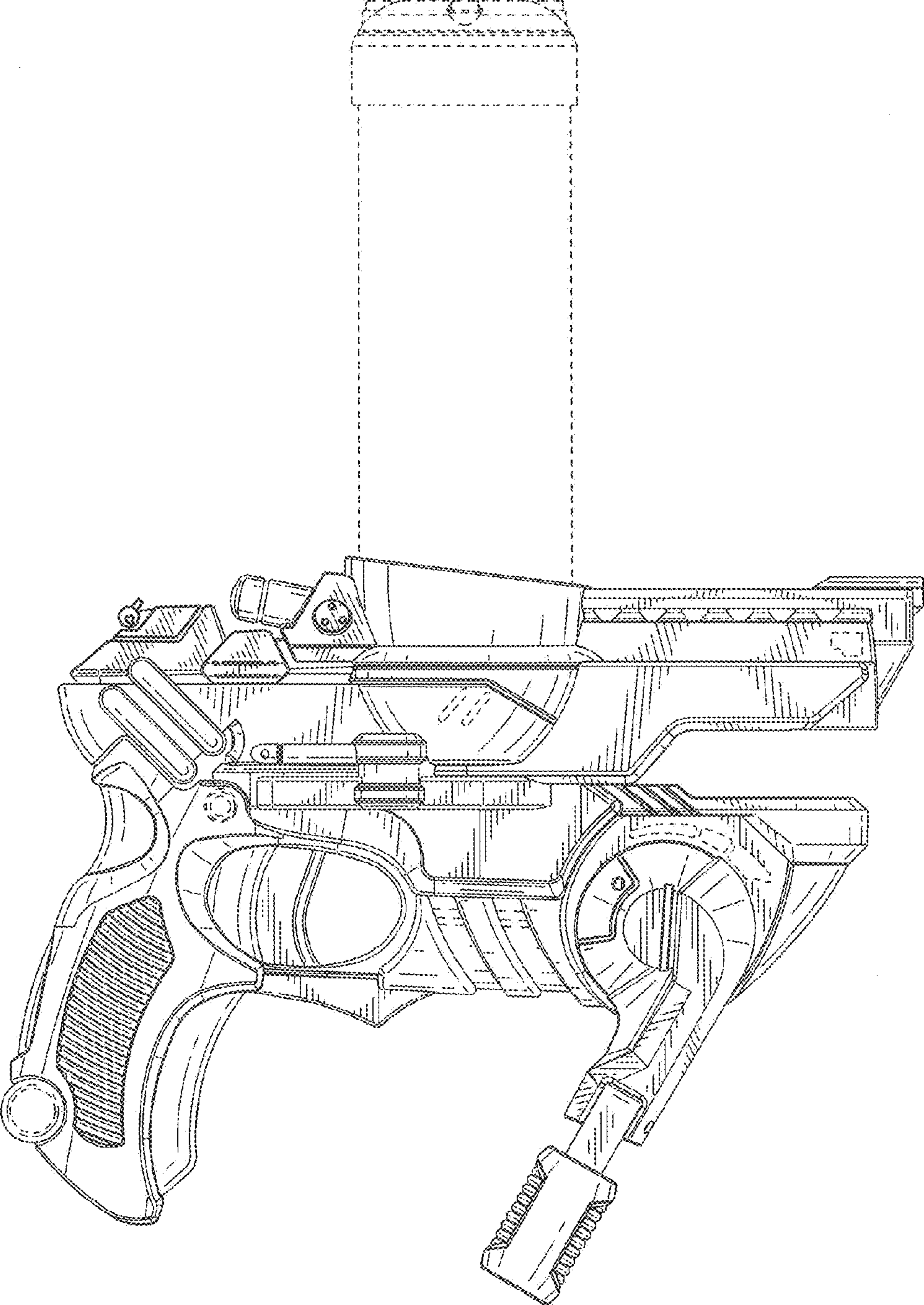


FIG. 2

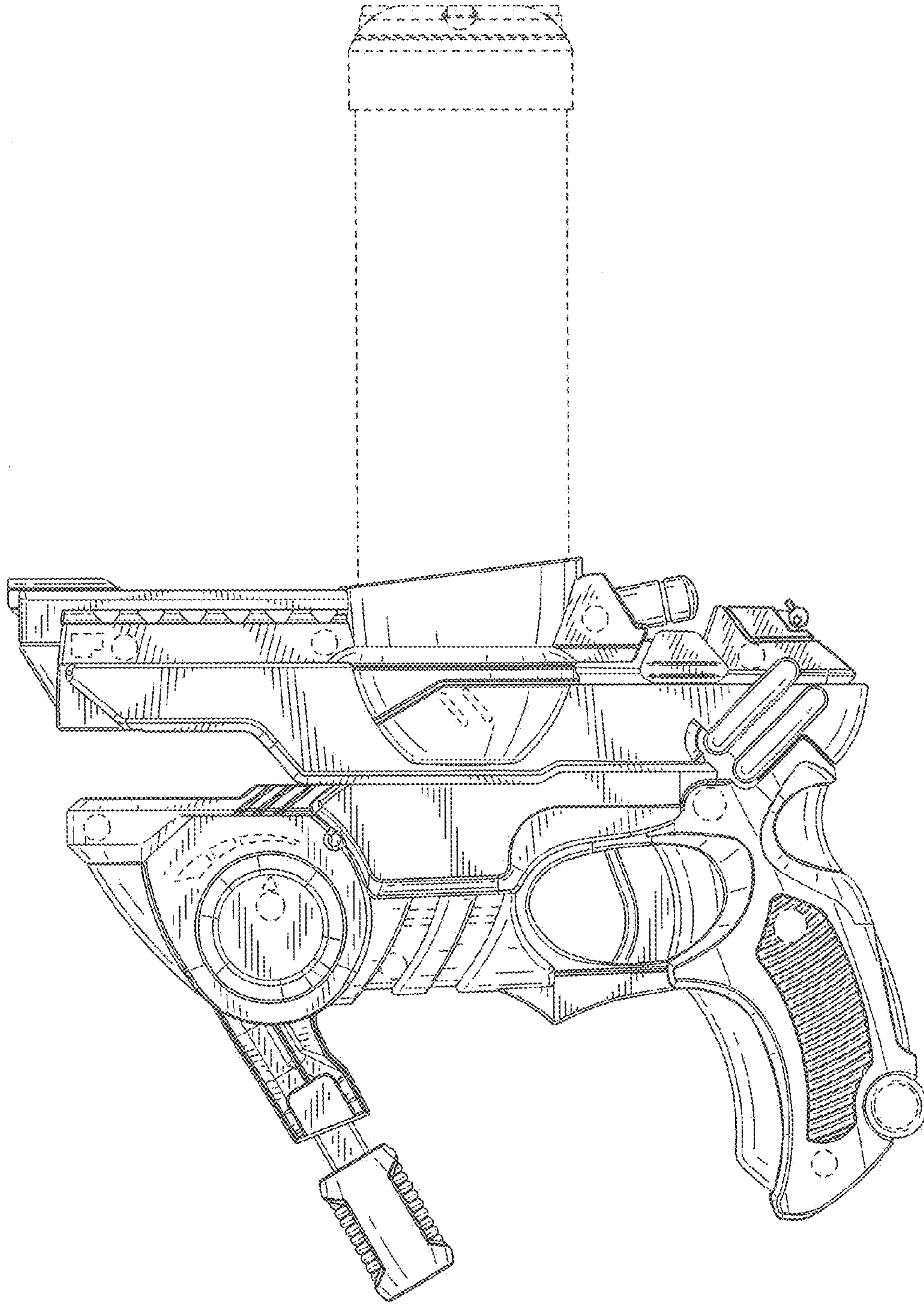


FIG. 3

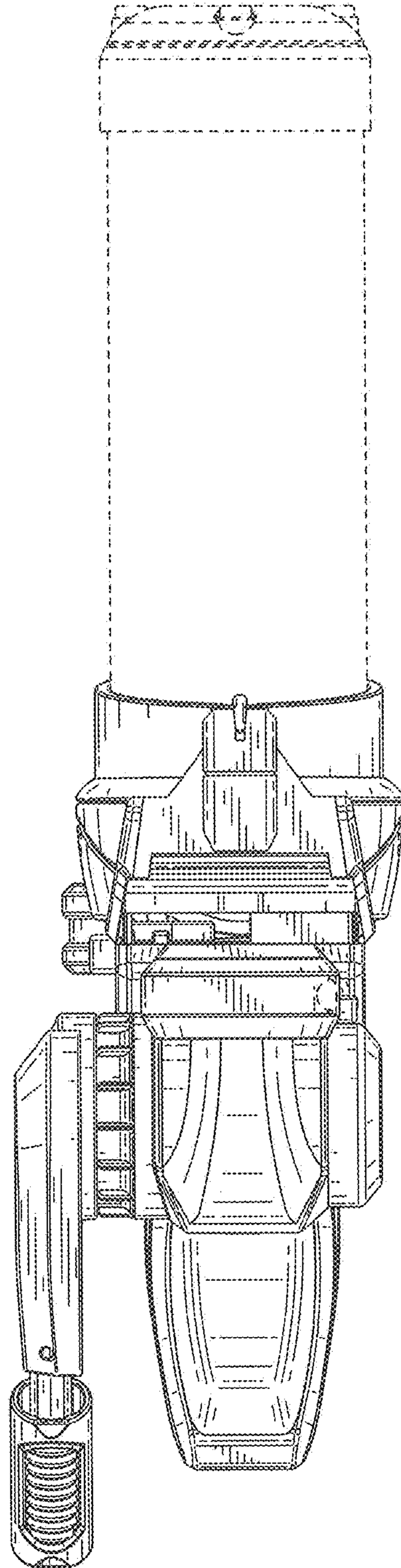


FIG. 4

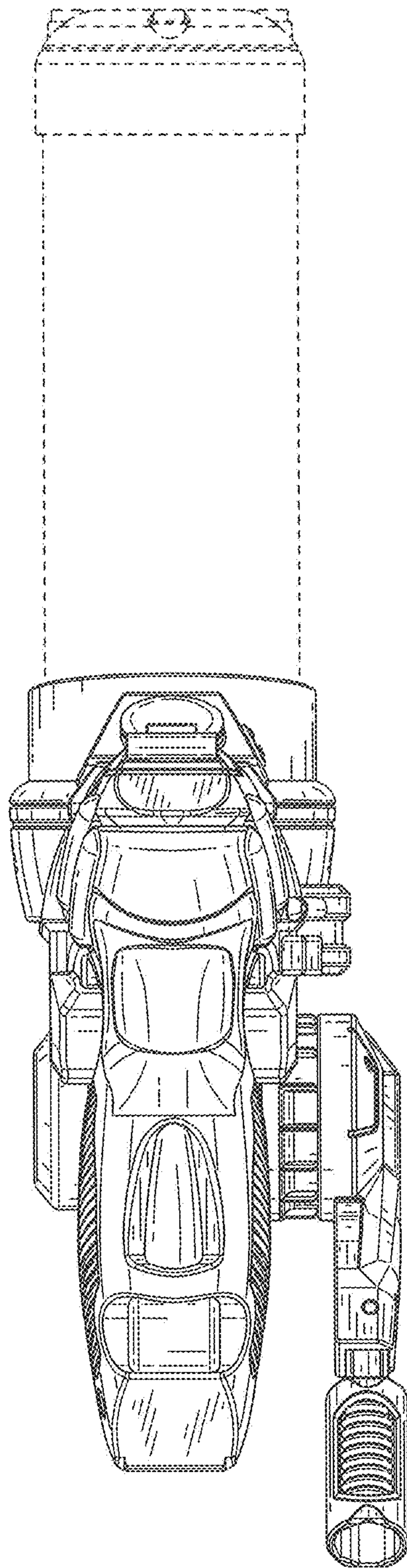


FIG. 5

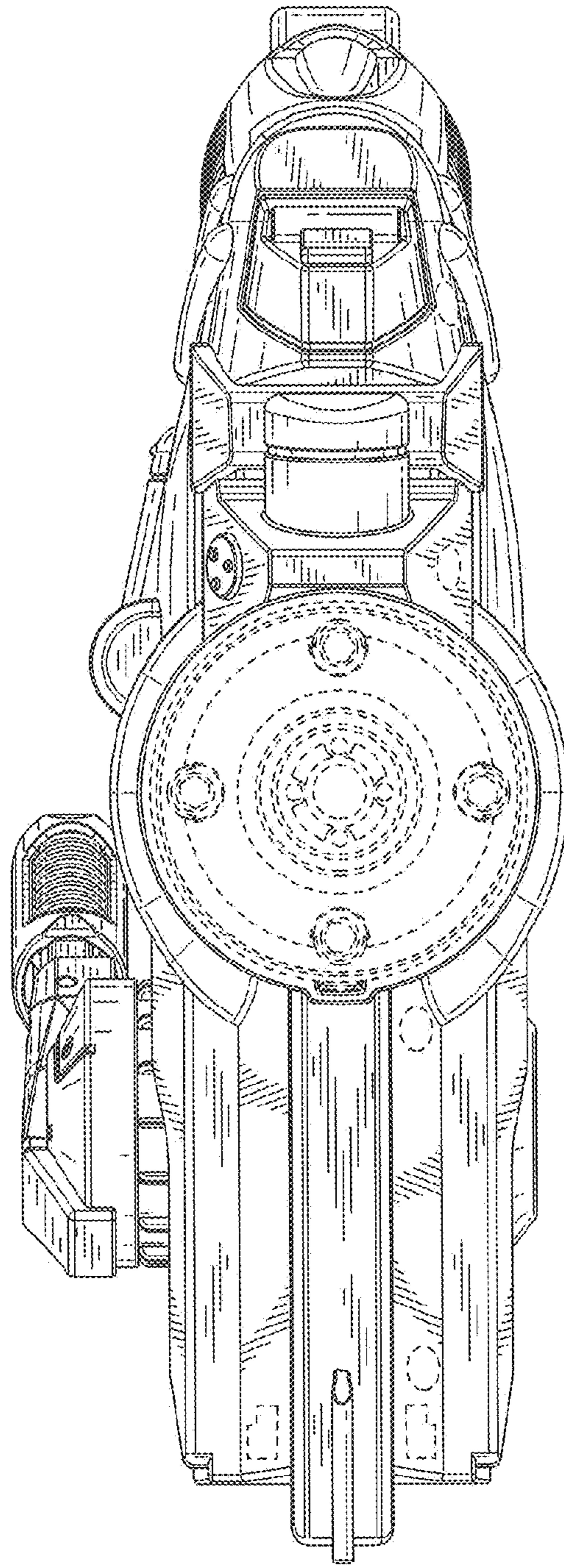


FIG. 6

