



US00D721140S

(12) **United States Design Patent**
Seflic et al.

(10) **Patent No.:** **US D721,140 S**
(45) **Date of Patent:** **** Jan. 13, 2015**

(54) **GAME CONTROLLER**

(71) Applicant: **Amazon Technologies, Inc.**, Reno, NV
(US)

(72) Inventors: **Matthew Michael Seflic**, San Jose, CA
(US); **Christopher Green**, San
Francisco, CA (US); **Hsueh Jang Su**,
Pleasanton, CA (US); **Brandon Lynne**,
San Francisco, CA (US); **Norio**
Fujikawa, San Francisco, CA (US); **Ed**
Magnum, San Francisco, CA (US);
Grace Lee, San Francisco, CA (US);
Kyle Swen, San Francisco, CA (US)

(73) Assignee: **Amazon Technologies, Inc.**, Reno, NV
(US)

(**) Term: **14 Years**

(21) Appl. No.: **29/471,711**

(22) Filed: **Nov. 4, 2013**

(51) **LOC (10) Cl.** **21-01**

(52) **U.S. Cl.**
USPC **D21/333**; D14/401

(58) **Field of Classification Search**
CPC A63F 9/24; A63F 13/02; G06F 3/00;
G06F 3/033; G06F 5/00
USPC D14/399-401, 412-416; D21/324, 333;
273/148 B; 463/1, 29-39, 46, 47;
345/156-161, 905

See application file for complete search history.

(56) **References Cited**

U.S. PATENT DOCUMENTS

5,785,317 A * 7/1998 Sasaki 273/148 B
7,063,321 B2 * 6/2006 Hussaini et al. 273/148 B
7,195,561 B2 * 3/2007 Hussaini et al. 463/31
D620,939 S * 8/2010 Suetake et al. D14/401

D641,022 S * 7/2011 Dodo et al. D14/401
8,241,126 B2 * 8/2012 Ambinder et al. 463/38
D692,887 S * 11/2013 Ibuki et al. D14/401
D693,345 S * 11/2013 Ibuki et al. D14/401
D700,182 S * 2/2014 Kidakarn D14/401
D708,615 S * 7/2014 Delrue et al. D14/401

OTHER PUBLICATIONS

The Indian Office Action mailed Jun. 27, 2014 for Indian design application No. 261915, a counterpart foreign application of design U.S. Appl. No. 29/471,711, 27 pages.

The Chinese Office Action mailed Aug. 7, 2014 for Chinese design application No. 201430117228.X, a counterpart foreign application of design U.S. Appl. No. 29/471,711, 1 page.

Xbox, Controllers and Remotes, retrieved on Nov. 4, 2013 at <<<http://www.xbox.com/en-US/Xbox360/Accessories/Controllers/Home>>> 3 pages.

* cited by examiner

Primary Examiner — Prabhakar Deshmukh

(74) *Attorney, Agent, or Firm* — Lee & Hayes, PLLC

(57) **CLAIM**

The ornamental design for a game controller, as shown and described.

DESCRIPTION

FIG. 1 is a top perspective view of a game controller showing our new design;

FIG. 2 is a bottom perspective view thereof;

FIG. 3 is a front elevation view thereof;

FIG. 4 is a top plan view thereof;

FIG. 5 is a rear elevation thereof;

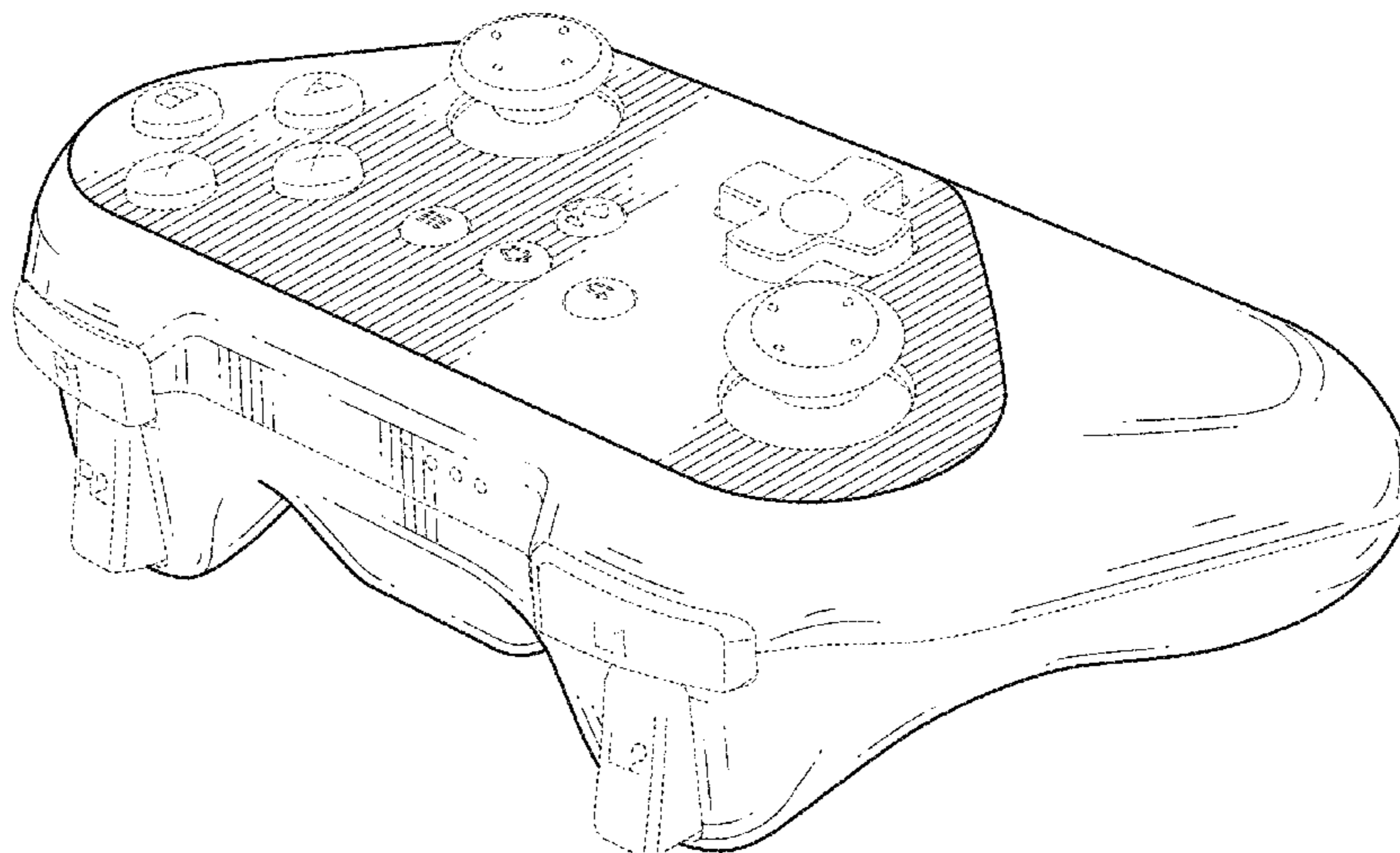
FIG. 6 is a right side elevation thereof;

FIG. 7 is a left side elevation thereof; and,

FIG. 8 is a bottom plan view thereof.

The broken lines illustrate unclaimed portions and from no part of the claimed design.

1 Claim, 4 Drawing Sheets



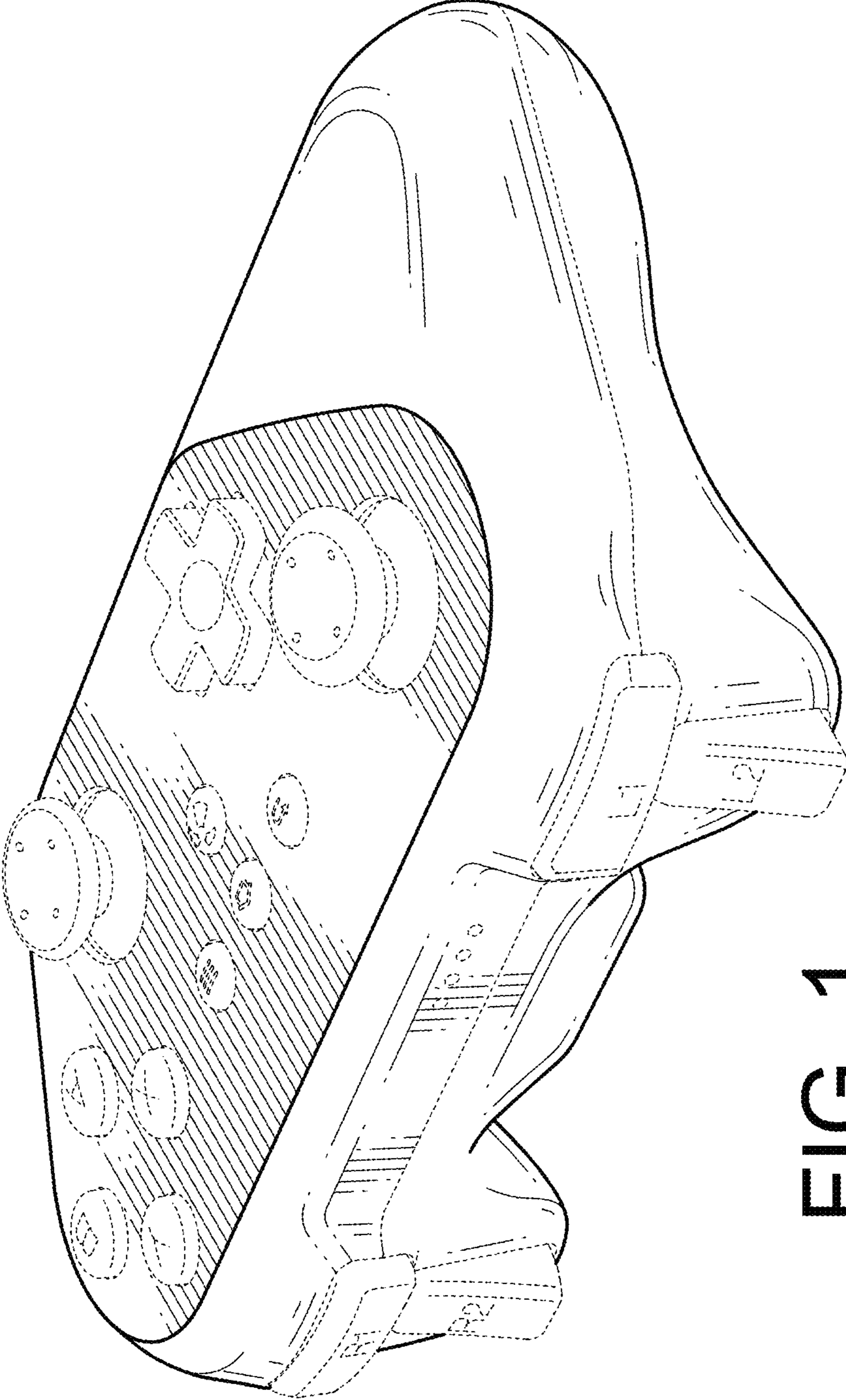


FIG. 1

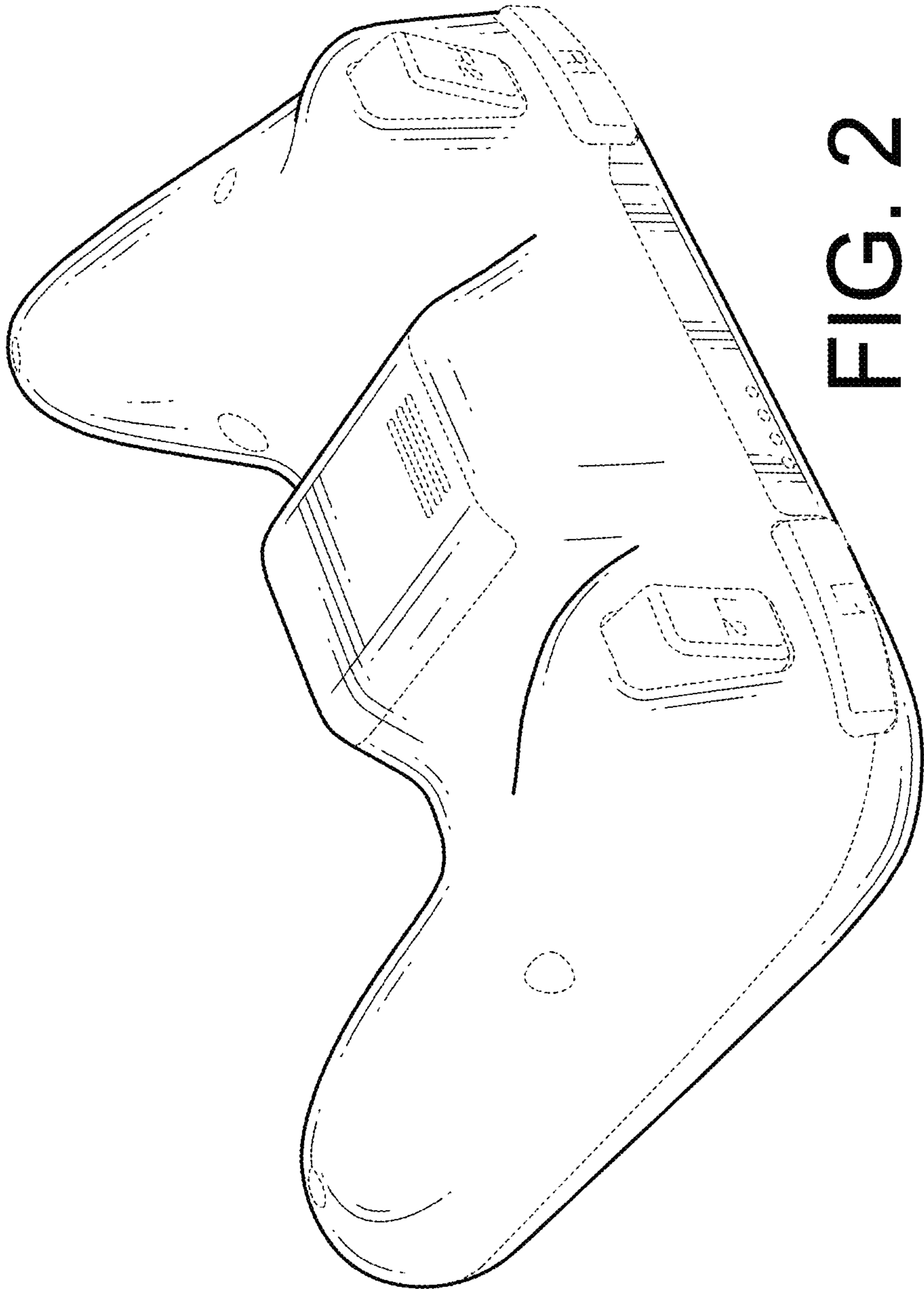


FIG. 2

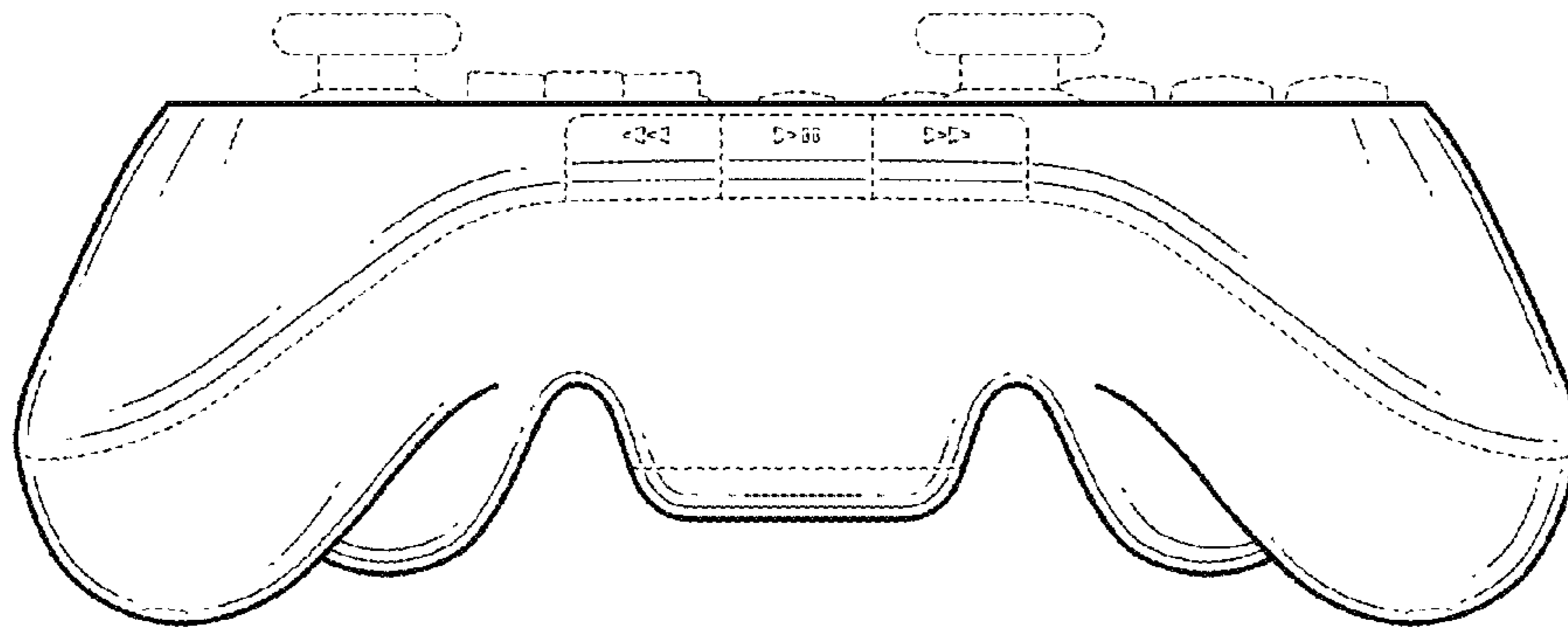


FIG. 3

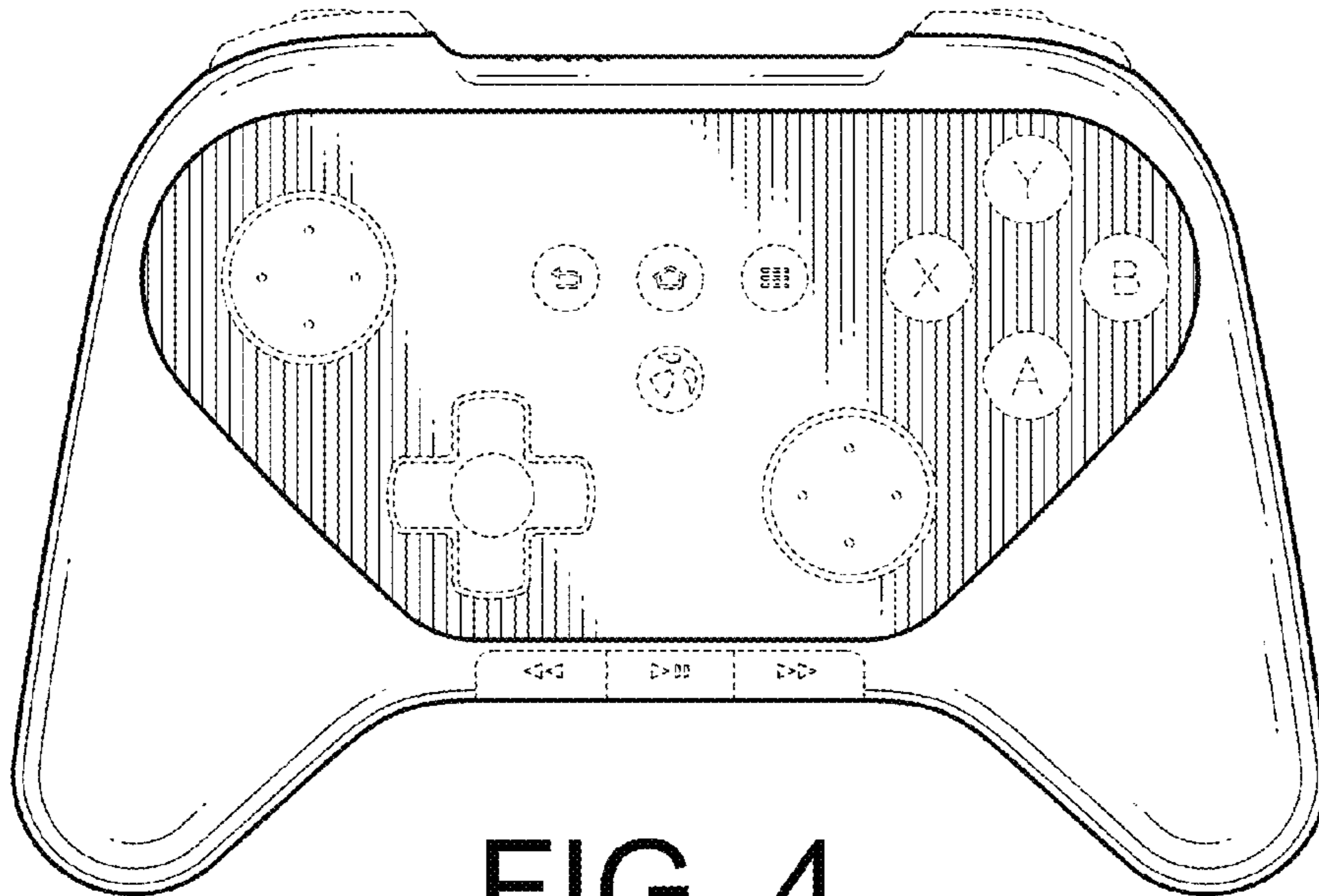


FIG. 4

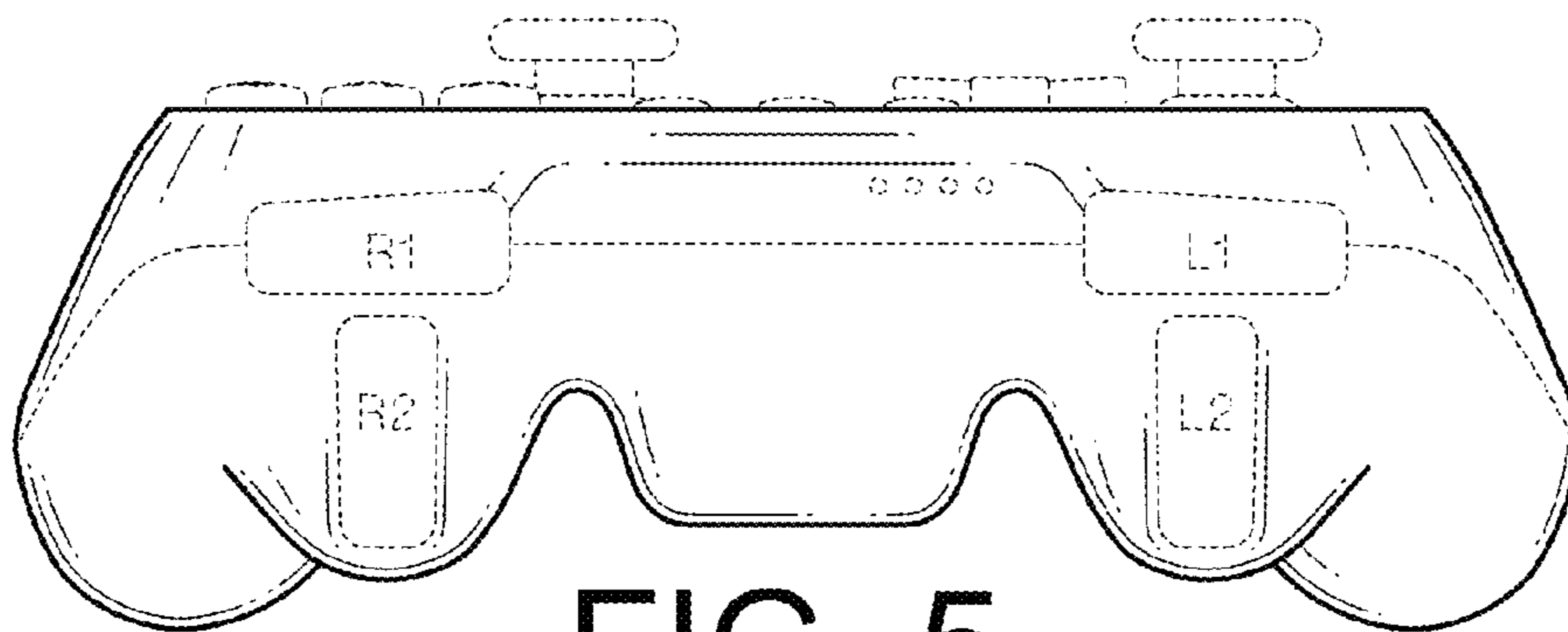


FIG. 5

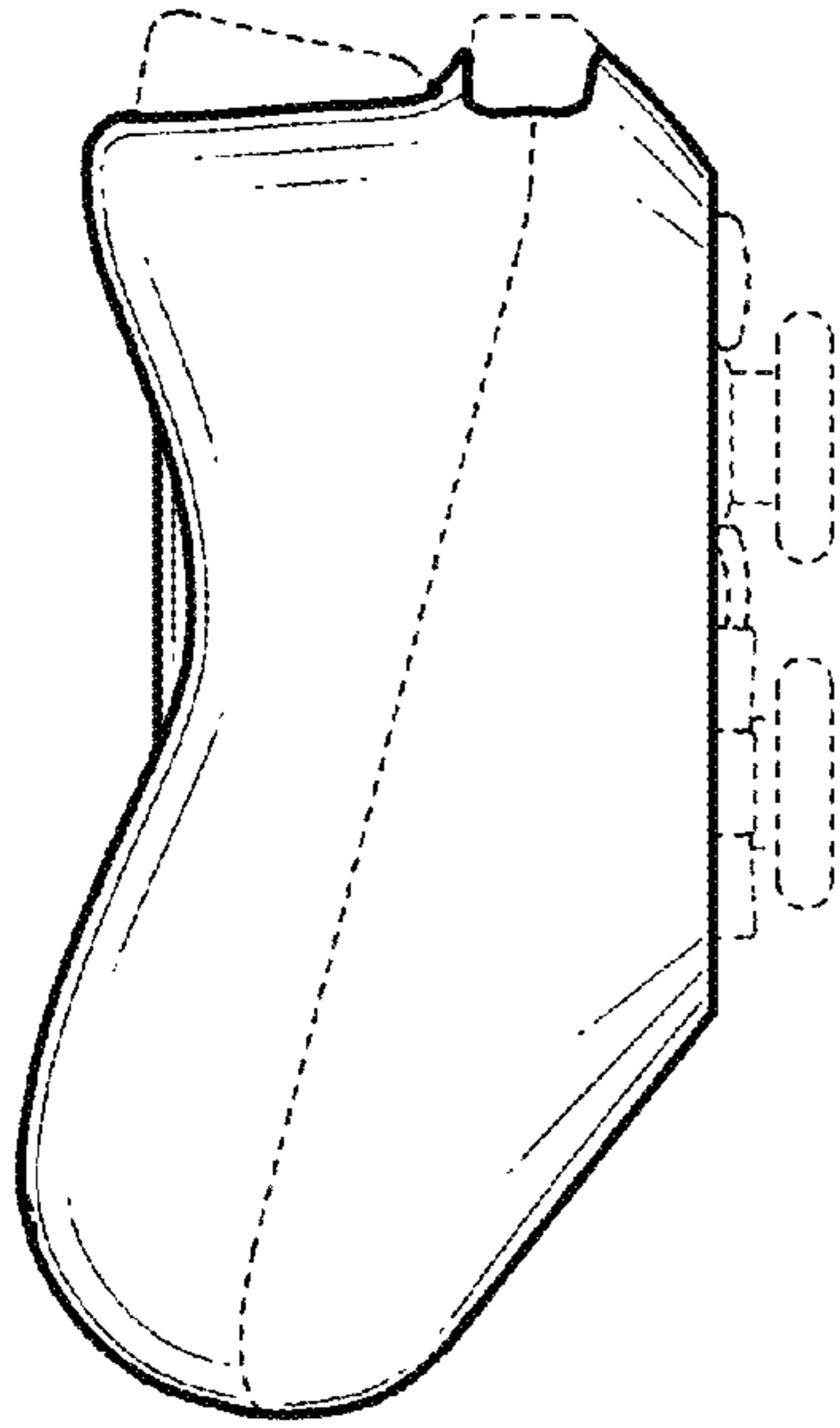


FIG. 6

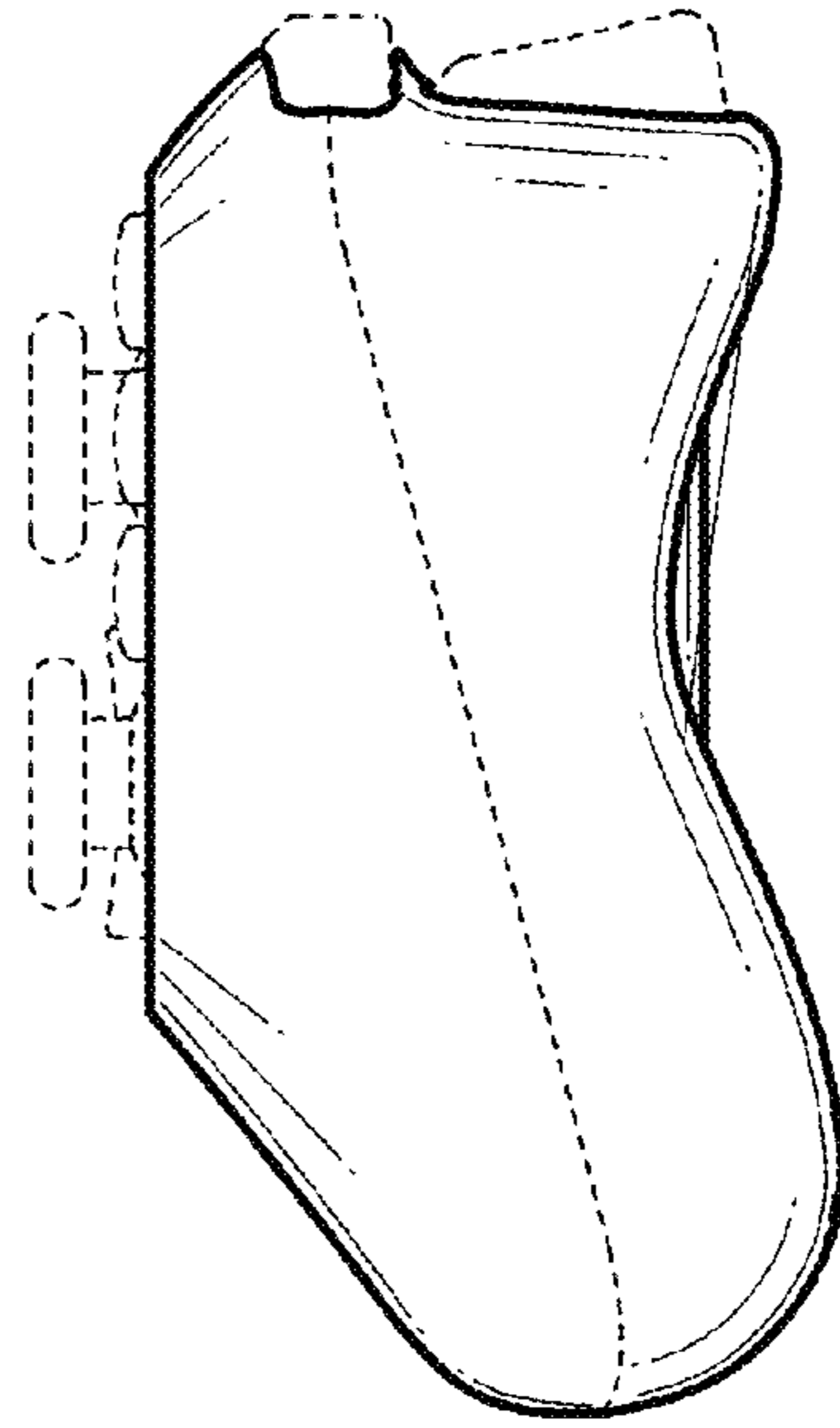


FIG. 7

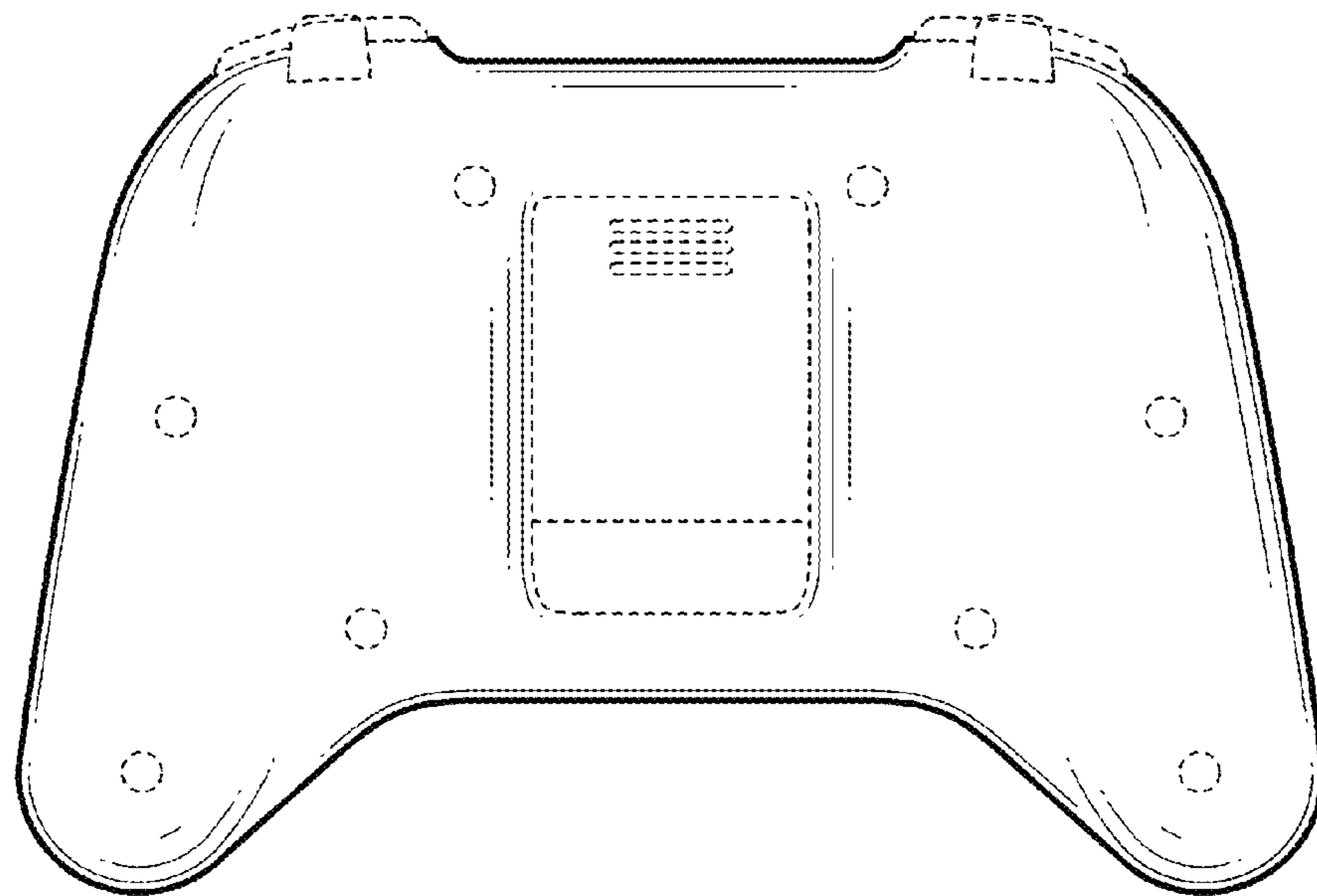


FIG. 8