



US00D721135S

(12) **United States Design Patent**
Harvey Pennaz et al.

(10) **Patent No.:** **US D721,135 S**
(45) **Date of Patent:** **** Jan. 13, 2015**

(54) **TAG**

(71) Applicant: **3M Innovative Properties Company**,
St. Paul, MN (US)

(72) Inventors: **Jane E. Harvey Pennaz**, Roseville, MN
(US); **Emily K. Vanderheyden**, St. Paul,
MN (US); **Katlyn J. Myrvold**,
Stillwater, MN (US); **Mary L. Brown**,
Roseville, MN (US); **Jamie J. Westrum**
Stone, Mendota Heights, MN (US)

(73) Assignee: **3M Innovative Properties Company**,
St. Paul, MN (US)

(**) Term: **14 Years**

(21) Appl. No.: **29/439,368**

(22) Filed: **Dec. 10, 2012**

(51) **LOC (10) Cl.** **19-08**

(52) **U.S. Cl.**
USPC **D20/22**

(58) **Field of Classification Search**

CPC G09F 3/00; G09F 3/02; G09F 3/04;
G09F 3/05; G09F 3/06; G09F 3/08; G09F
3/10; G09F 3/14; G09F 3/18; G09F 3/0288;
G09F 3/0289; G09F 1/08; A41D 23/00;
A44B 6/00; A63C 11/02; B42F 13/006;
B42D 3/0002; B42D 3/12; B65D 75/56;
B65D 57/00
USPC D20/10, 19, 22-28, 40, 42-44, 99;
40/5, 27.5, 124.01-124.09,
40/124.11-124.19, 124.191, 299.01, 306,
40/310, 316, 360, 446, 625-629, 631, 641,
40/642.02, 661, 661.01, 673; D9/439;
D10/109.1, 109.2, 113.4; D11/5;
D19/1, 2; D24/189; 2/144; 283/43, 56,
283/71, 81, 109; 280/814; 281/15.1; 426/2

See application file for complete search history.

(56) **References Cited**

U.S. PATENT DOCUMENTS

711,240	A *	10/1902	Zaring	40/306
1,782,194	A *	11/1930	Carter	24/17 R
2,000,763	A *	5/1935	Lane	24/17 R
2,021,787	A *	11/1935	Janowitz	16/407
3,841,648	A *	10/1974	Meyer	280/814
4,679,823	A *	7/1987	Nagy	281/43
5,197,761	A *	3/1993	Shirdavani	281/15.1
5,797,144	A *	8/1998	Ciccone	2/144
D528,605	S *	9/2006	Lee	D20/10
D547,228	S *	7/2007	Rozsavolgyi	D11/5
D548,129	S *	8/2007	Fineide	D11/5
2003/0075918	A1 *	4/2003	Levine et al.	283/81
2013/0266685	A1 *	10/2013	Santiago	426/2

* cited by examiner

Primary Examiner — Mary Ann Calabrese

(74) *Attorney, Agent, or Firm* — Irina Hass

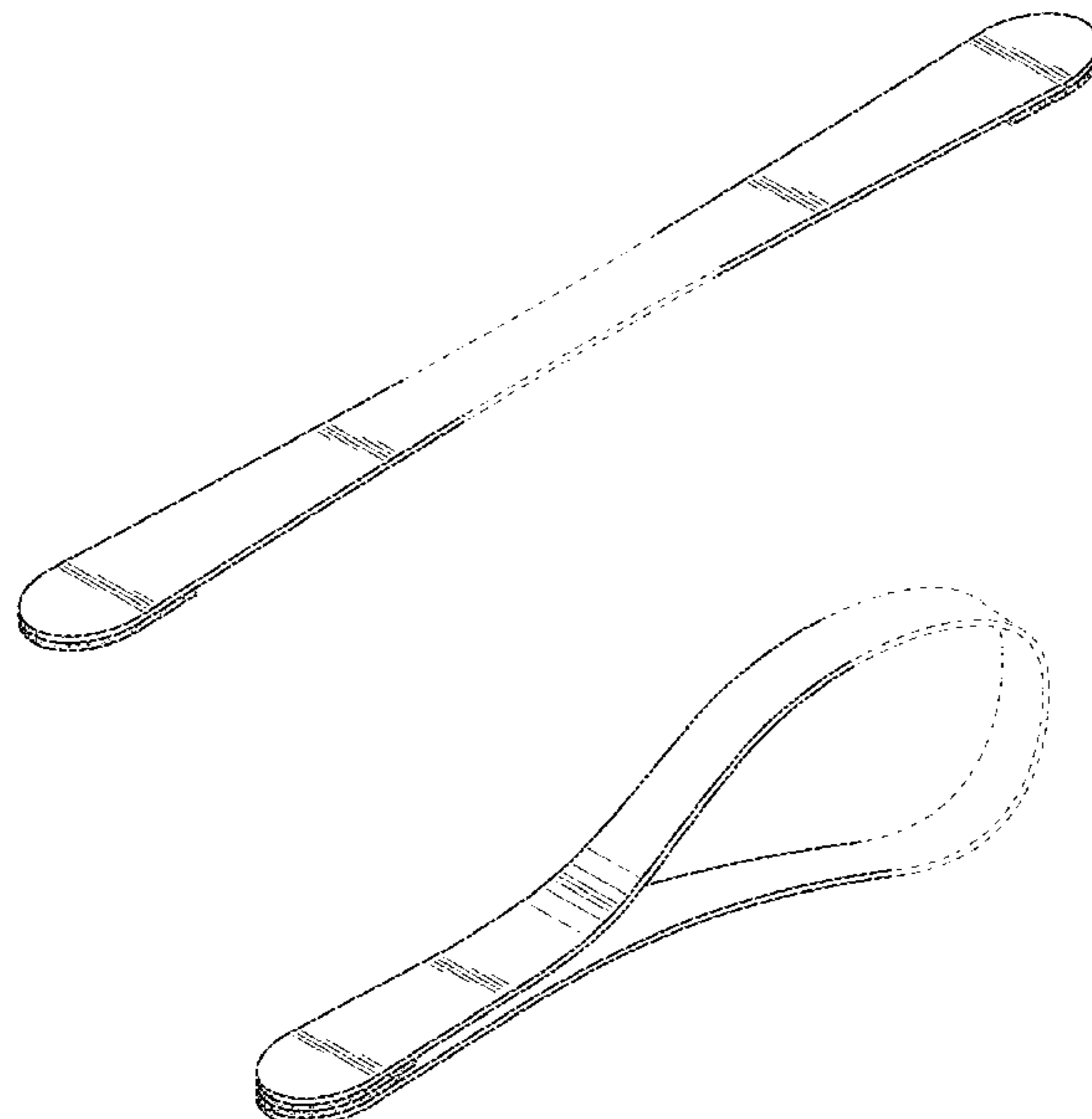
(57) **CLAIM**

The ornamental design for a tag, as shown and described.

DESCRIPTION

FIG. 1 is a perspective view showing the new design for a tag;
FIG. 2 is a top view thereof;
FIG. 3 is a front view thereof;
FIG. 4 is a bottom view thereof;
FIG. 5 is a right side view thereof, a left side view being a
mirror image thereof;
FIG. 6 is a perspective view showing the tag in a folded
position;
FIG. 7 is a perspective view showing the tag on a bag; and,
FIG. 8 is a perspective view of a pad of tags.
The broken lines in the drawings are shown for illustrative
purposes only and form no part of the claimed design.

1 Claim, 2 Drawing Sheets



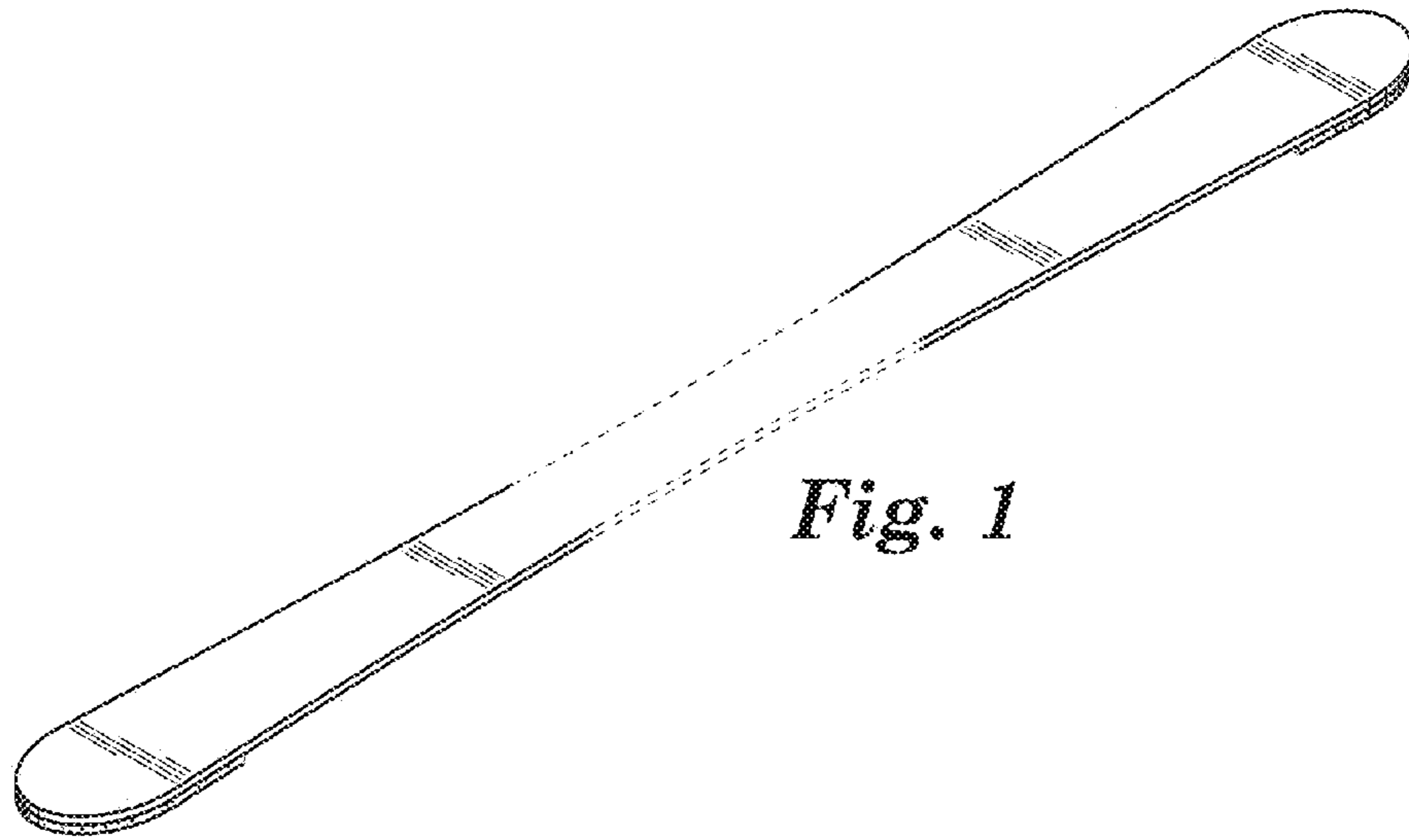


Fig. 1

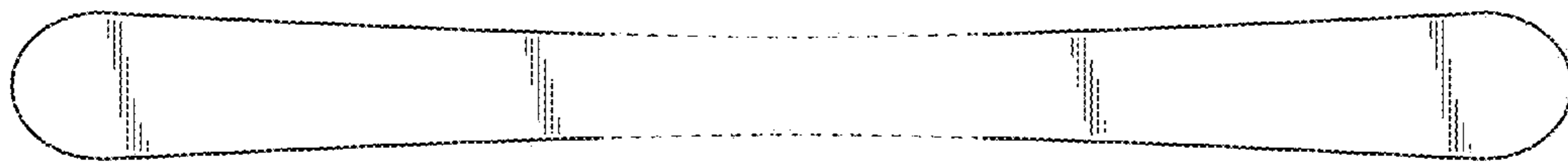


Fig. 2

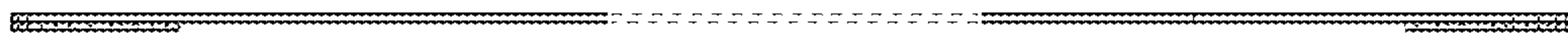


Fig. 3

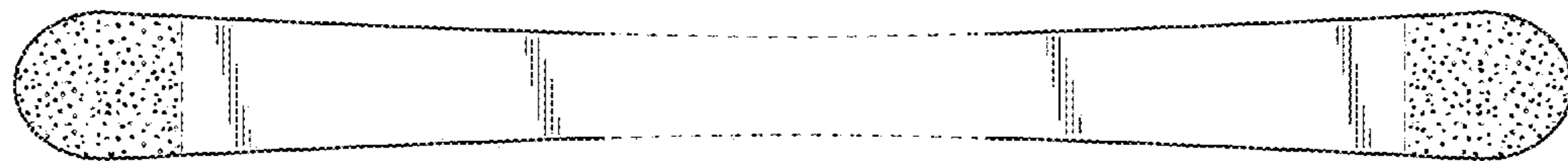


Fig. 4

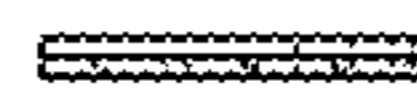


Fig. 5

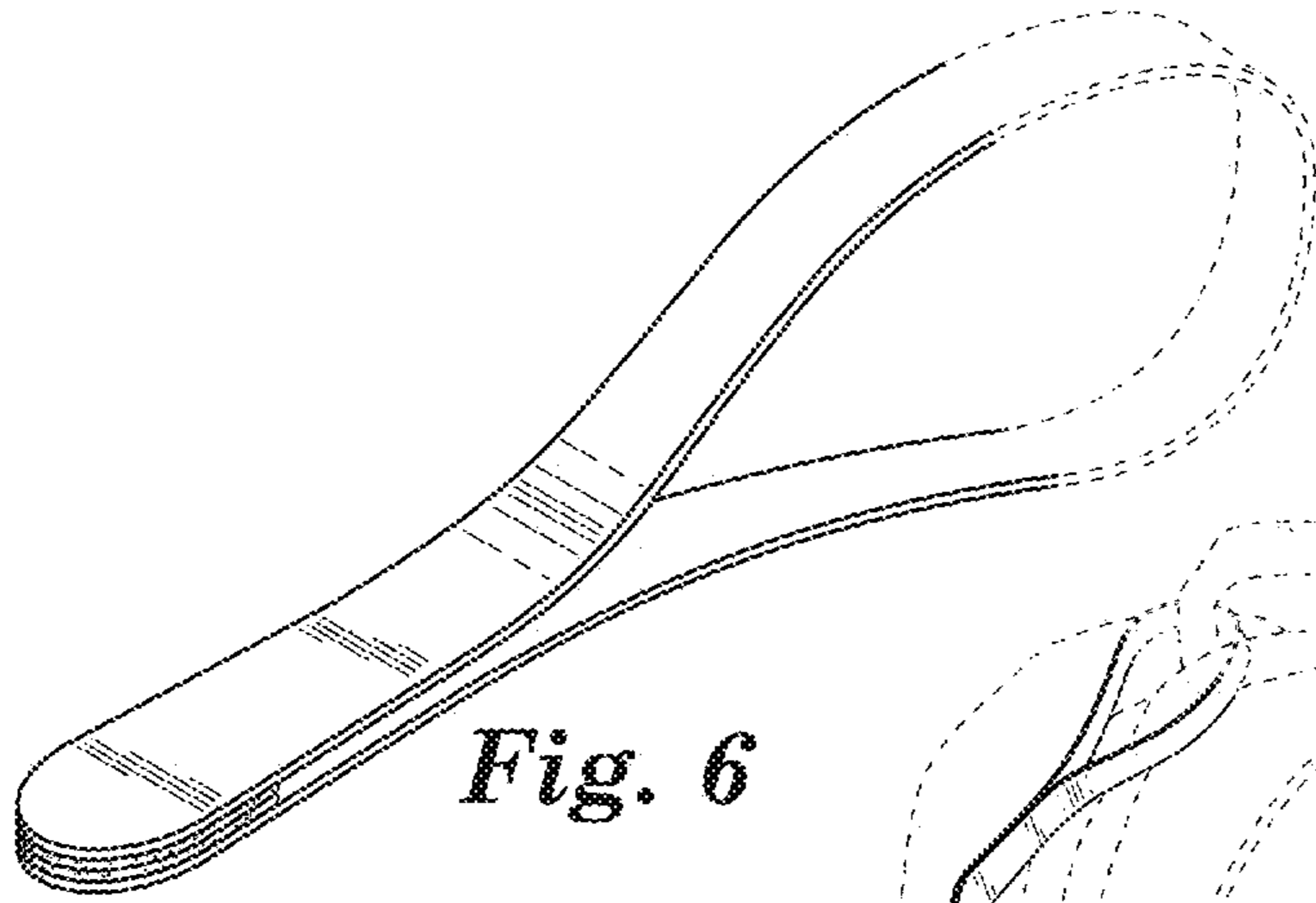


Fig. 6



Fig. 7

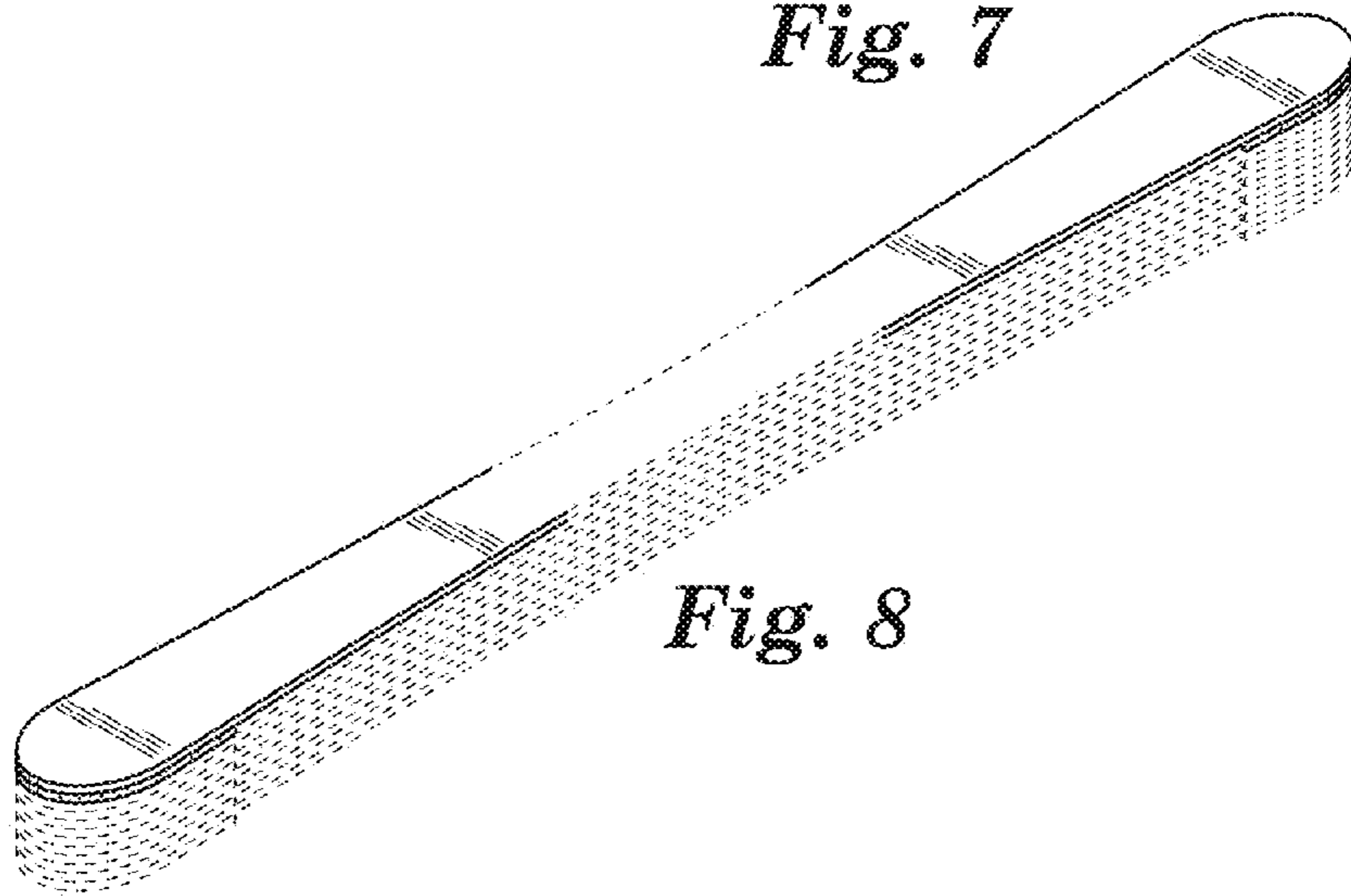


Fig. 8