



US00D721133S

(12) **United States Design Patent**
André

(10) **Patent No.:** **US D721,133 S**
(45) **Date of Patent:** **** Jan. 13, 2015**

- (54) **CALENDAR**
- (71) Applicant: **Intermed Asia Limited**, Hung Hom, Kowloon (HK)
- (72) Inventor: **Olivier André**, Pok Fu Lam (HK)
- (73) Assignee: **Intermed Asia Limited**, Hung Hom, Kowloon (HK)

3,670,436 A *	6/1972	Weissman	40/107
3,829,998 A *	8/1974	Flax	40/800
D245,422 S *	8/1977	Vanderhyden, Jr.	D19/25
D297,244 S *	8/1988	Kennedy	D19/25
5,696,739 A *	12/1997	Chang	368/29
D390,883 S *	2/1998	Watkins et al.	D20/43
D498,789 S *	11/2004	Lawson	D19/25
7,397,731 B2 *	7/2008	Scurlock et al.	368/28
D684,625 S *	6/2013	Andre	D19/20
D685,025 S *	6/2013	Andre	D19/20

(**) Term: **14 Years**

(21) Appl. No.: **29/465,227**

(22) Filed: **Aug. 26, 2013**

(51) **LOC (10) Cl.** **19-03**

(52) **U.S. Cl.**
USPC **D19/20**

(58) **Field of Classification Search**
USPC D19/1-12, 20-34, 75-77, 86, 59;
40/124.01-124.15, 726, 109-110, 107,
40/113-117, 118, 358; 283/2-3; D20/10,
D20/22, 27, 40; 368/28, 276-278; D10/15
See application file for complete search history.

(56) **References Cited**

U.S. PATENT DOCUMENTS

D149,335 S *	4/1948	Beatty	D19/23
3,564,741 A *	2/1971	Kahre et al.	40/107

* cited by examiner

Primary Examiner — Caron D Veynar

Assistant Examiner — Abraham Bahta

(74) *Attorney, Agent, or Firm* — Merchant & Gould P.C.

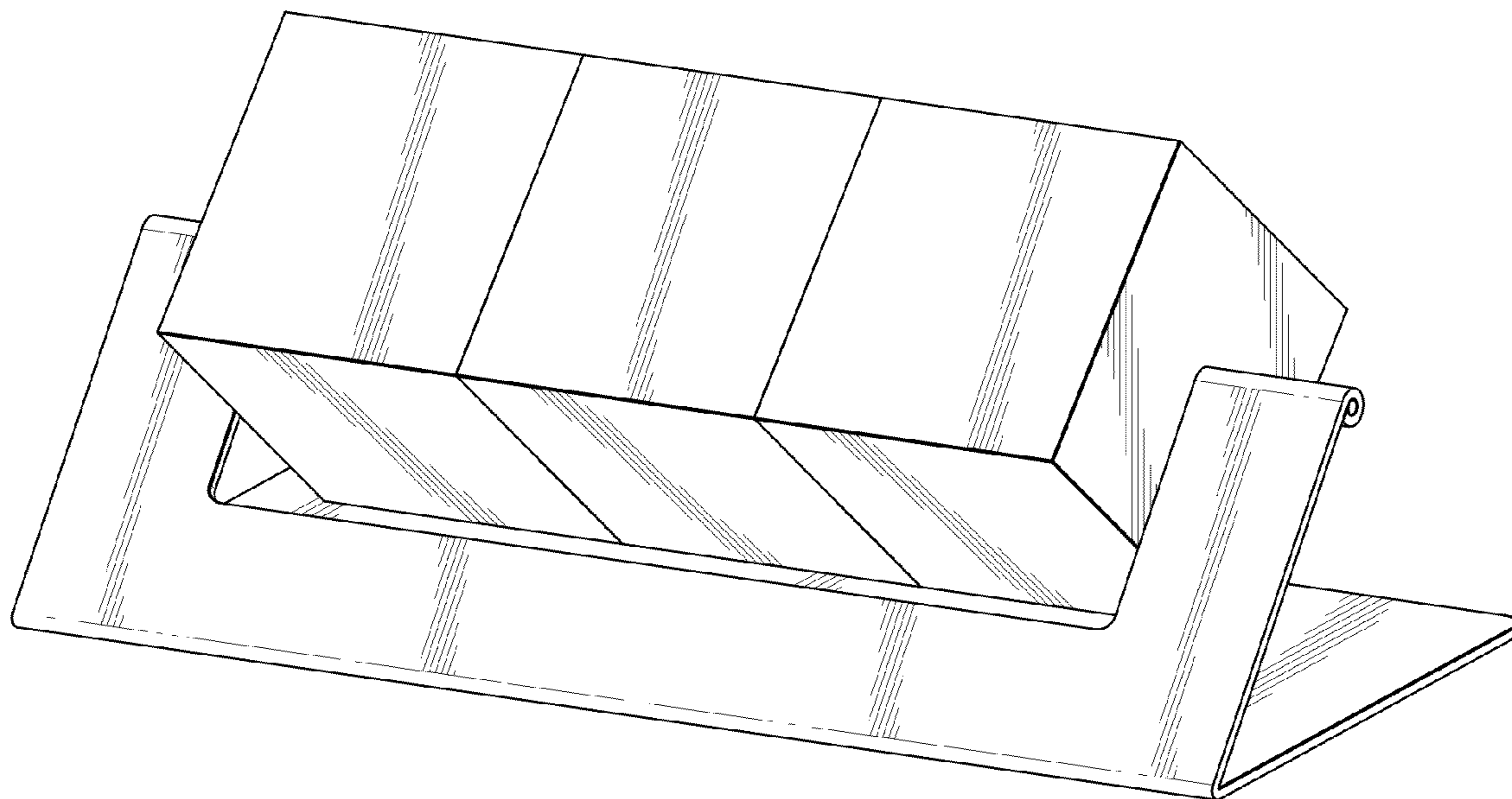
(57) **CLAIM**

The ornamental design for a calendar, as shown and described.

DESCRIPTION

FIG. 1 is a perspective view showing my design;
FIG. 2 is a front elevational view thereof;
FIG. 3 is a rear elevational view thereof;
FIG. 4 is a right side view thereof;
FIG. 5 is a left side view of thereof;
FIG. 6 is a top view thereof; and,
FIG. 7 is a bottom view thereof.

1 Claim, 4 Drawing Sheets



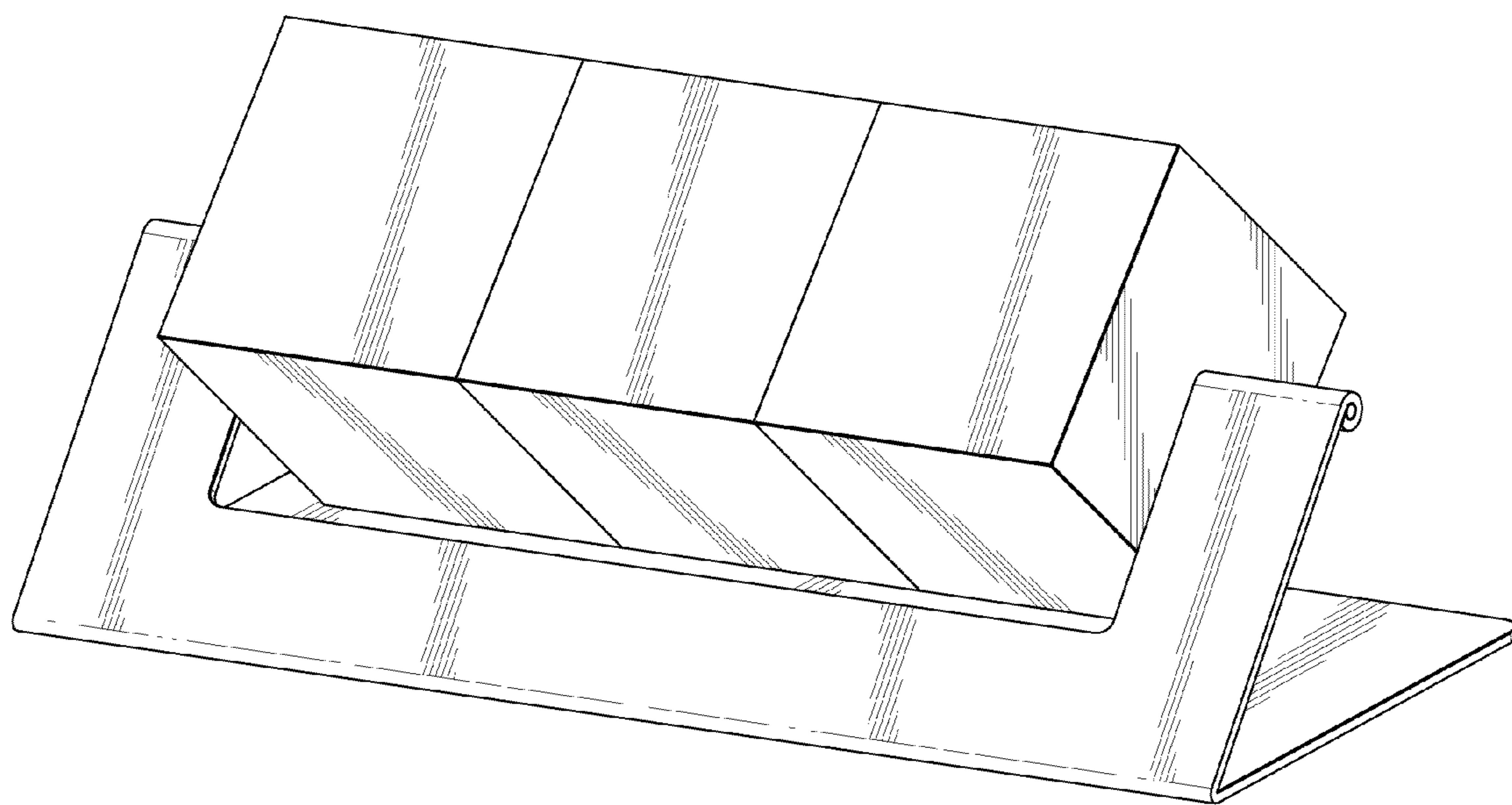


FIG. 1

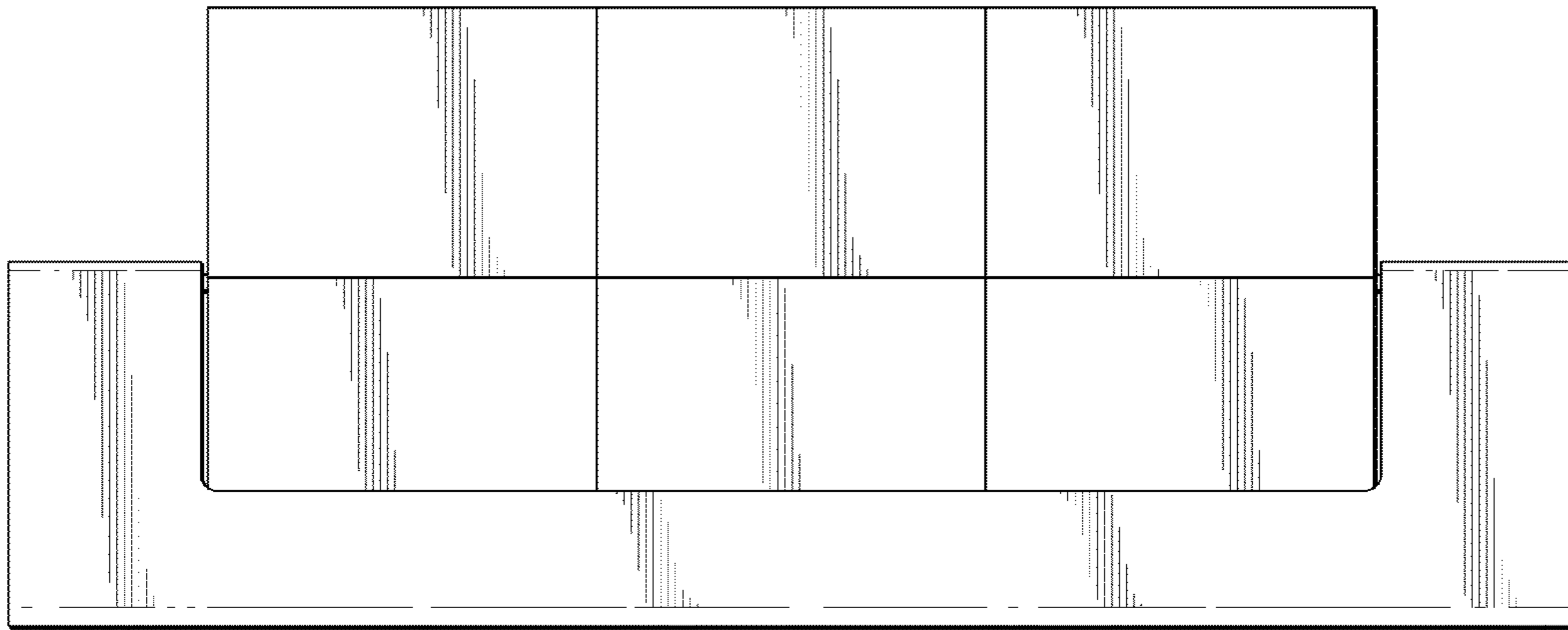


FIG. 2

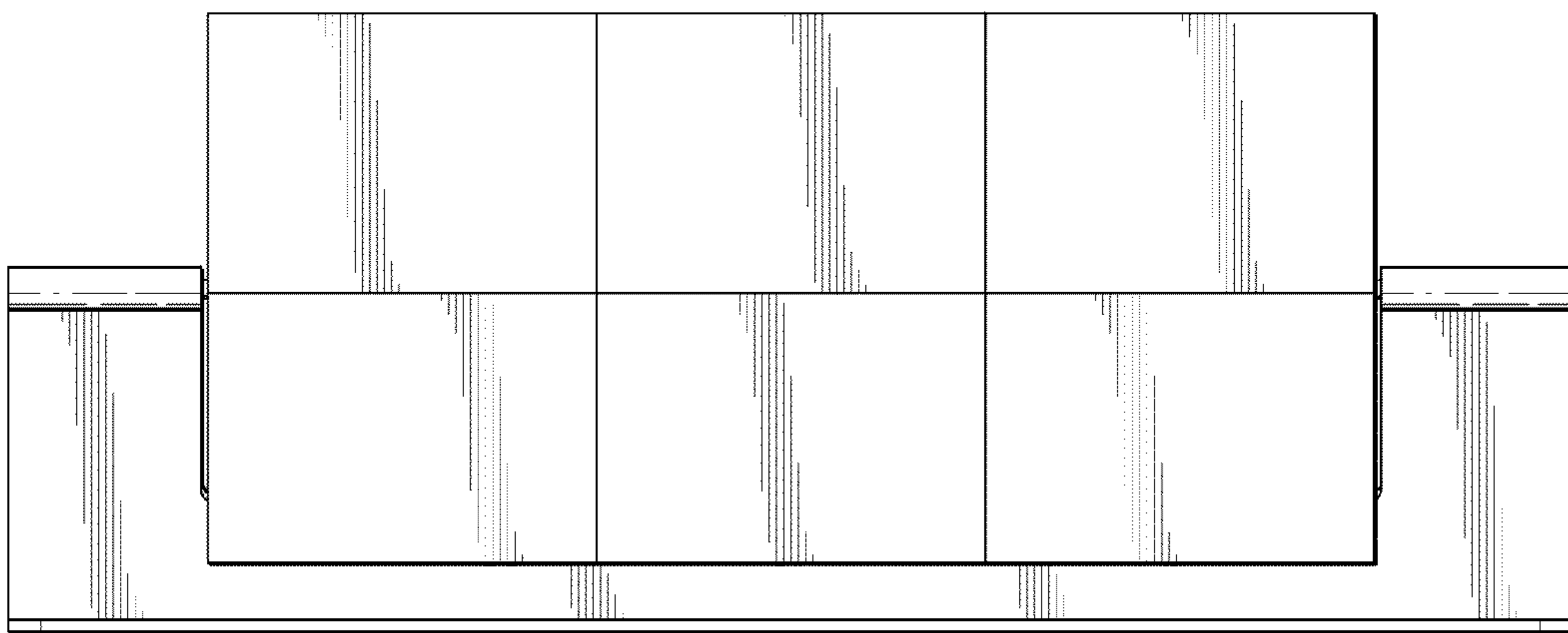


FIG. 3

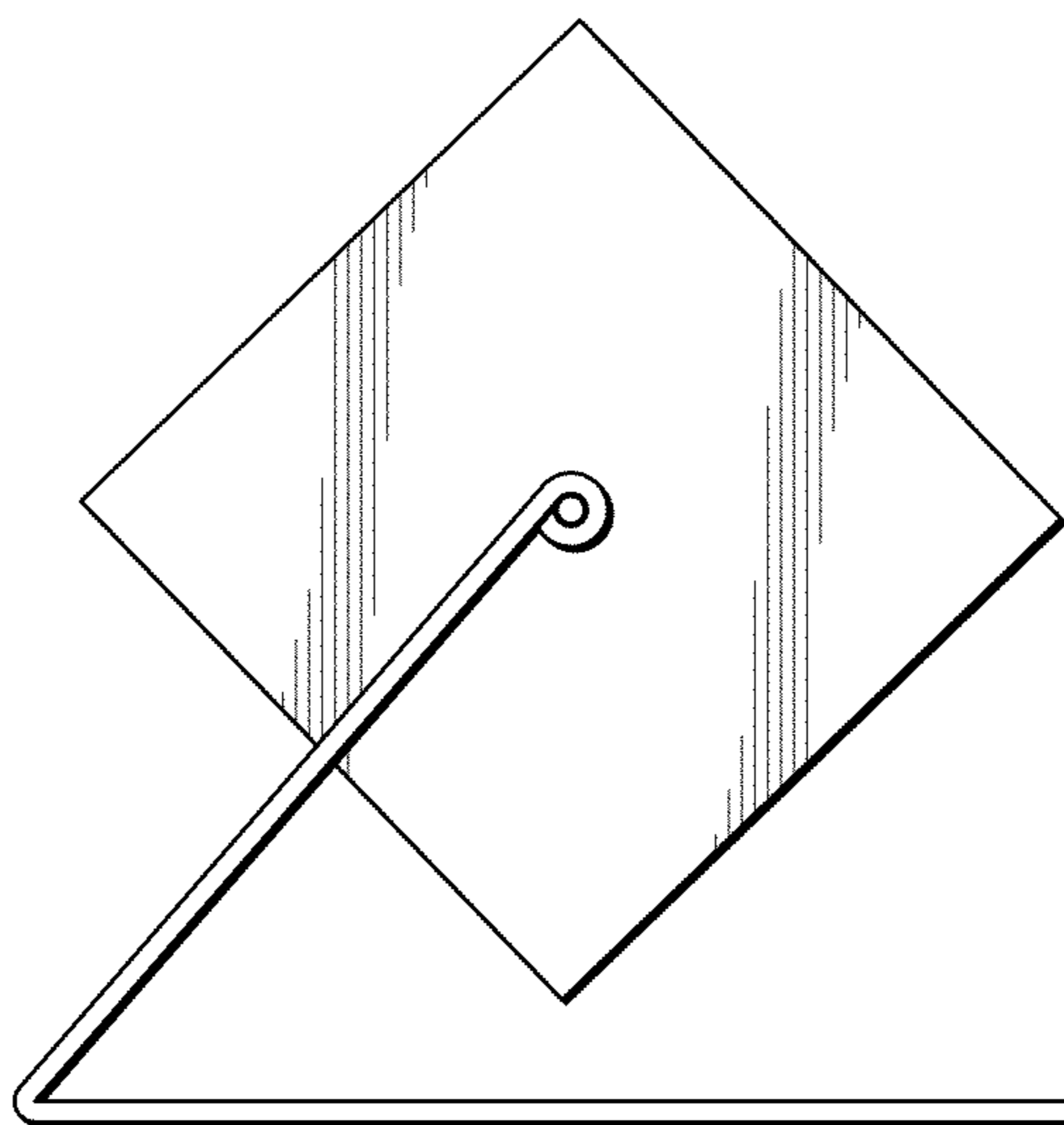


FIG. 4

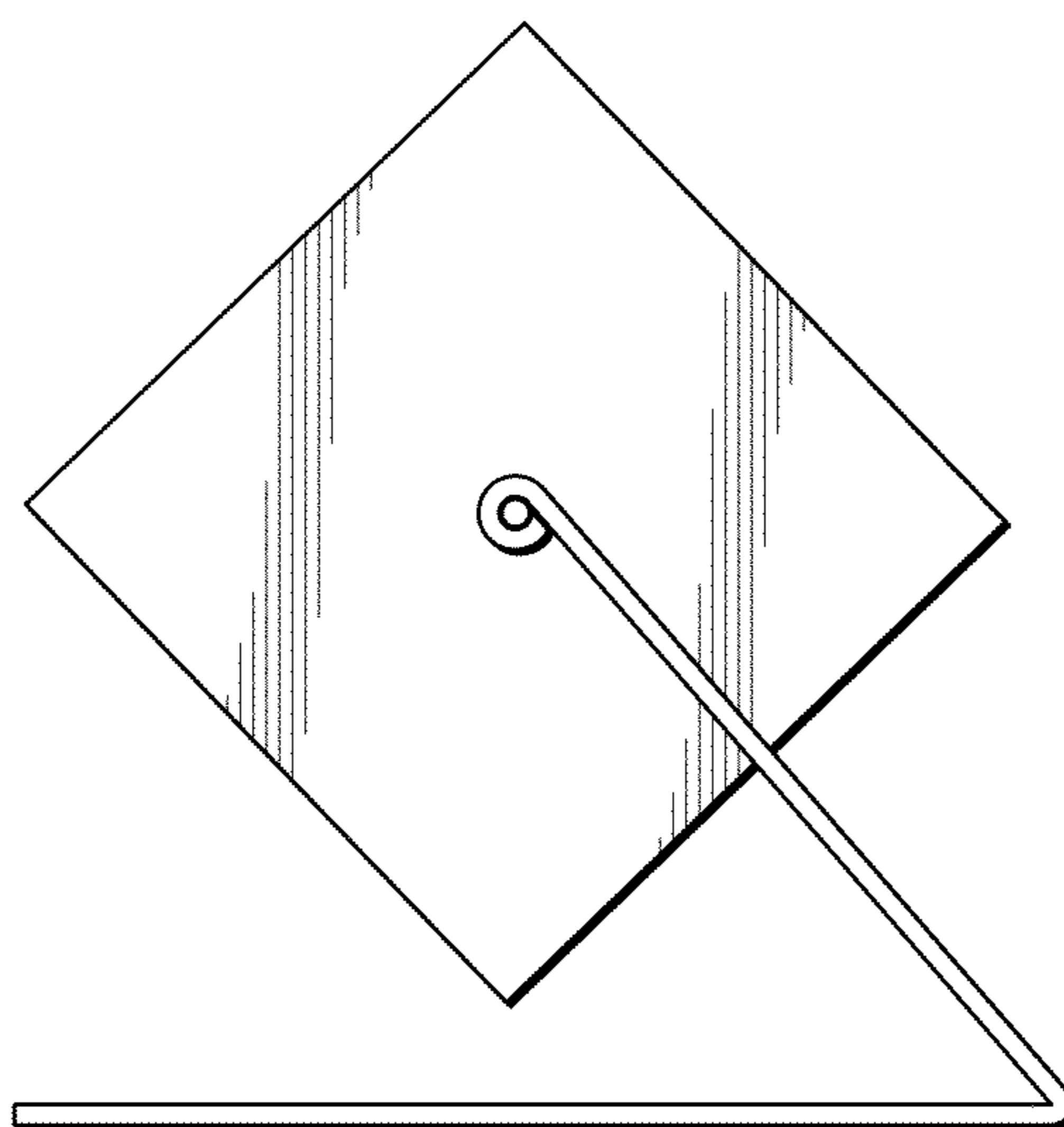


FIG. 5

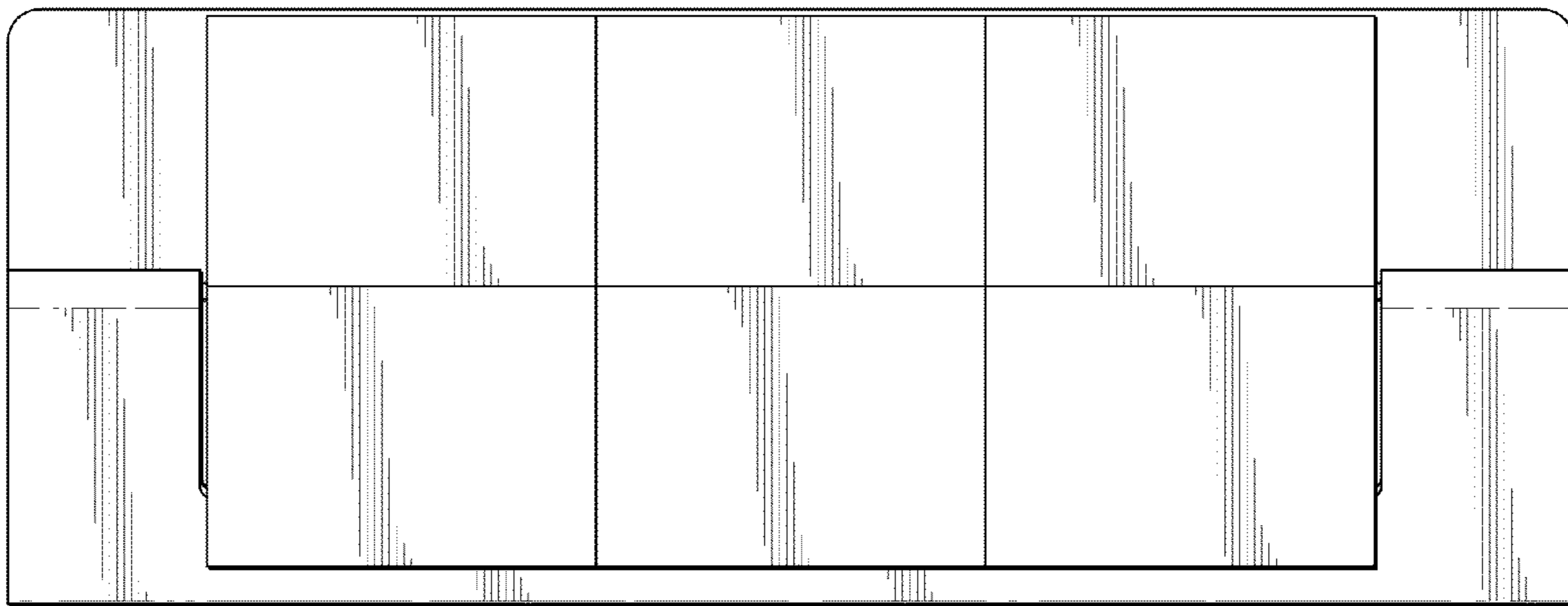


FIG. 6

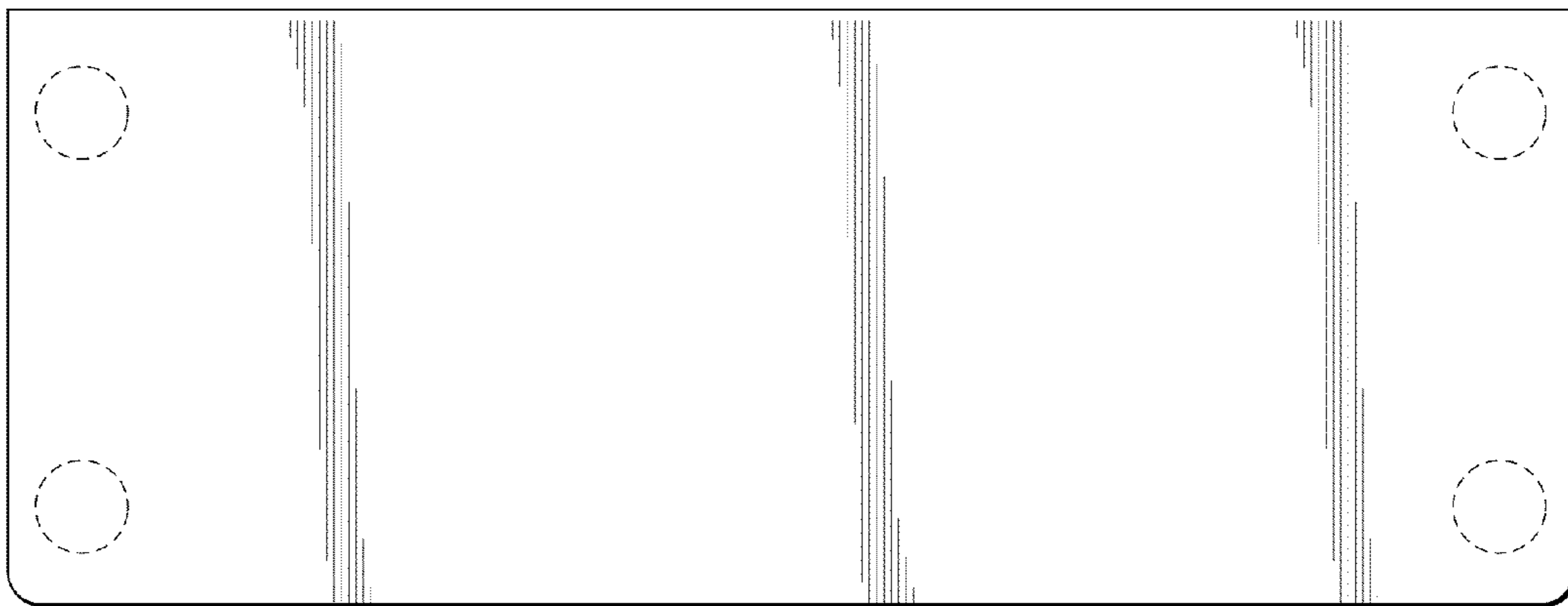


FIG. 7