



US00D721130S

(12) **United States Design Patent**
Cassano et al.

(10) **Patent No.:** **US D721,130 S**
(45) **Date of Patent:** **** Jan. 13, 2015**

(54) **DIGITAL CURRENCY WALLET GENERATOR**

(71) Applicant: **Cryptographi, Inc.**, San Francisco, CA (US)

(72) Inventors: **Christopher Vincent Cassano**, San Francisco, CA (US); **Jered Kenna**, San Francisco, CA (US)

(73) Assignee: **Cryptographi, Inc.**, San Francisco, CA (US)

(**) Term: **14 Years**

(21) Appl. No.: **29/484,063**

(22) Filed: **Mar. 5, 2014**

(51) **LOC (10) Cl.** **18-01**

(52) **U.S. Cl.**
USPC **D18/4.4**

(58) **Field of Classification Search**

USPC D14/142, 144, 146, 147, 148, 356, 357, D14/358, 371, 376, 382, 383, 385, 386, 387, D14/388, 389, 390; D18/1, 3.1, 3.2, 3.3, D18/4.4, 4.6, 6, 7, 11, 12, 12.1, 12.2, 12.3; D19/9, 10; D21/324, 329, 333, 369, D21/371, 377, 379, 392; D99/28, 29, 30, D99/31, 34, 35, 36, 43; 235/2, 4, 7 R, 12, 22, 235/33, 58 R, 59 R, 61 R, 375, 379, 380, 235/385, 386, 439, 441, 451, 492; 186/37; 361/679.3; 705/14.65, 15, 16, 17, 22, 705/25

See application file for complete search history.

(56) **References Cited**

U.S. PATENT DOCUMENTS

5,594,920	A *	1/1997	Ebina et al.	705/24
5,794,214	A *	8/1998	Ebina et al.	705/24
7,876,478	B1 *	1/2011	Moore et al.	358/496
7,878,318	B2 *	2/2011	Nunn et al.	194/350
D664,173	S *	7/2012	Wang	D16/130
8,550,923	B2 *	10/2013	Piazzai et al.	463/46

* cited by examiner

Primary Examiner — Eric Goodman

Assistant Examiner — Amy Wierenga

(74) *Attorney, Agent, or Firm* — Perkins Coie LLP

(57) **CLAIM**

The ornamental design for a digital currency wallet generator, as shown and described.

DESCRIPTION

FIG. 1 is a perspective view of the ornamental design for a digital currency wallet generator, as seen from the front, left, top side.

FIG. 2 is a front elevational view thereof;

FIG. 3 is a back elevational view thereof;

FIG. 4 is a left elevational view thereof;

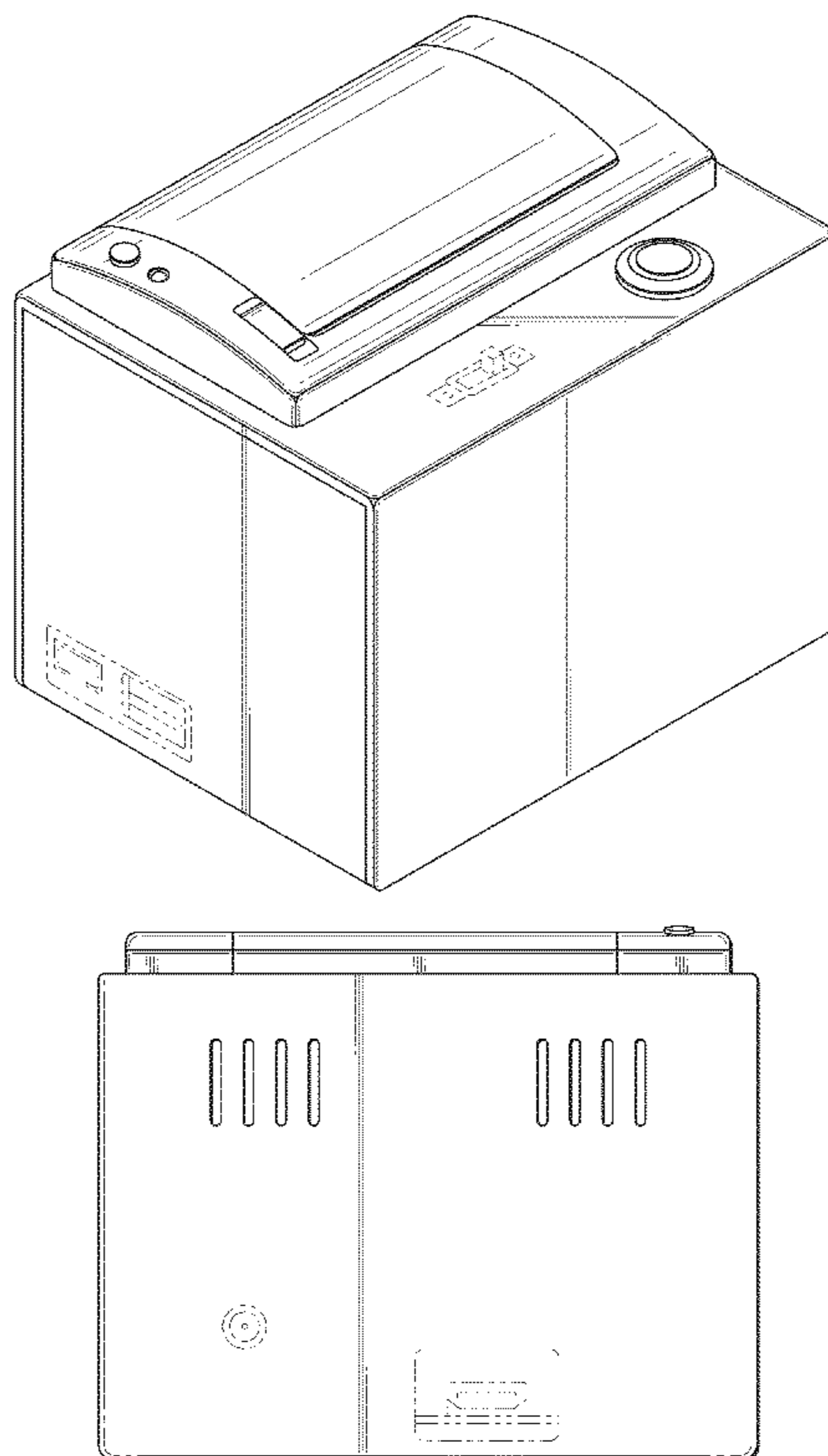
FIG. 5 is a right elevational view thereof;

FIG. 6 is a top plan view thereof; and,

FIG. 7 is a bottom plan view thereof.

The broken lines are illustrative of environmental structure only and form no part of the claimed design.

1 Claim, 4 Drawing Sheets



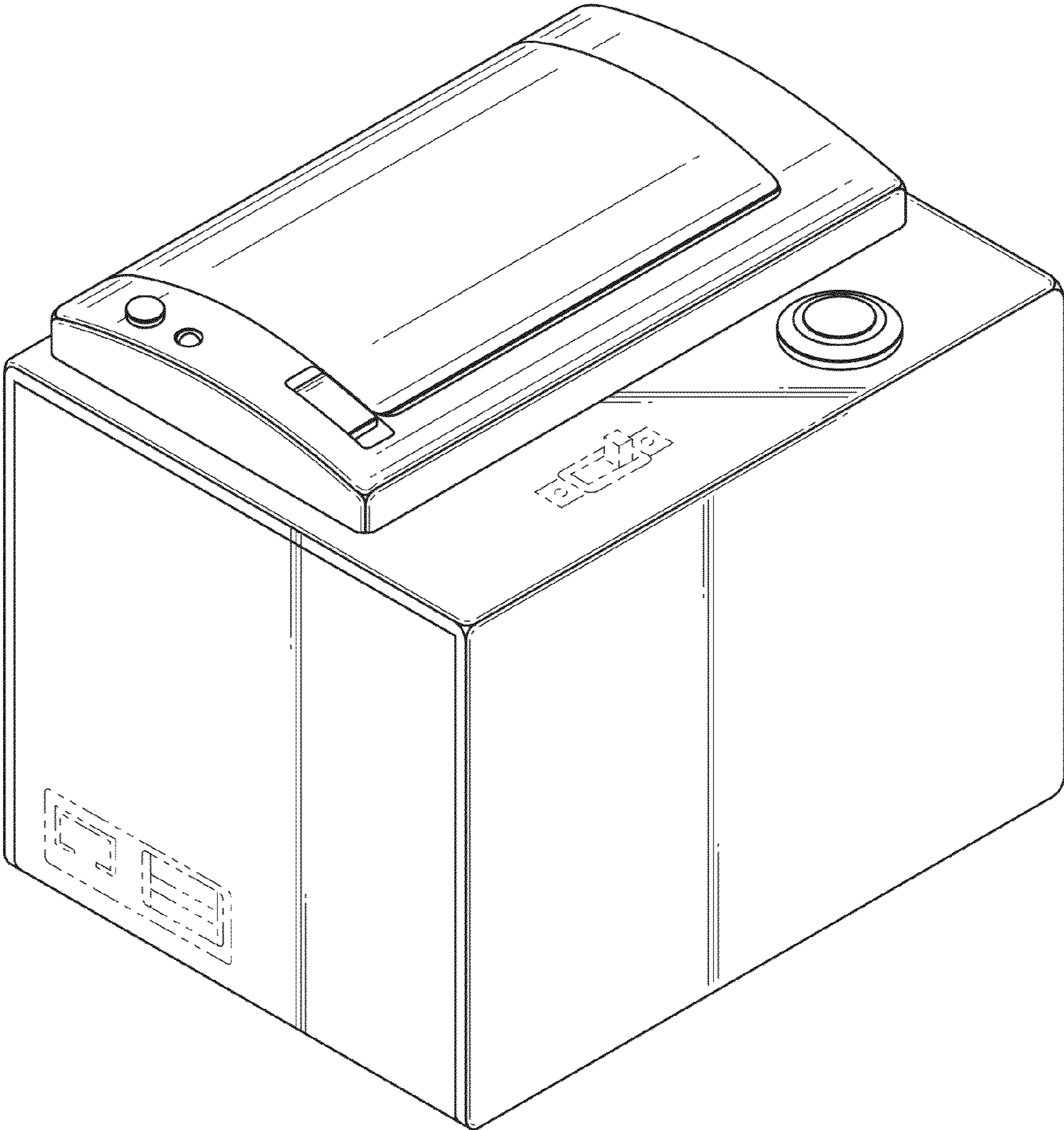


FIG. 1

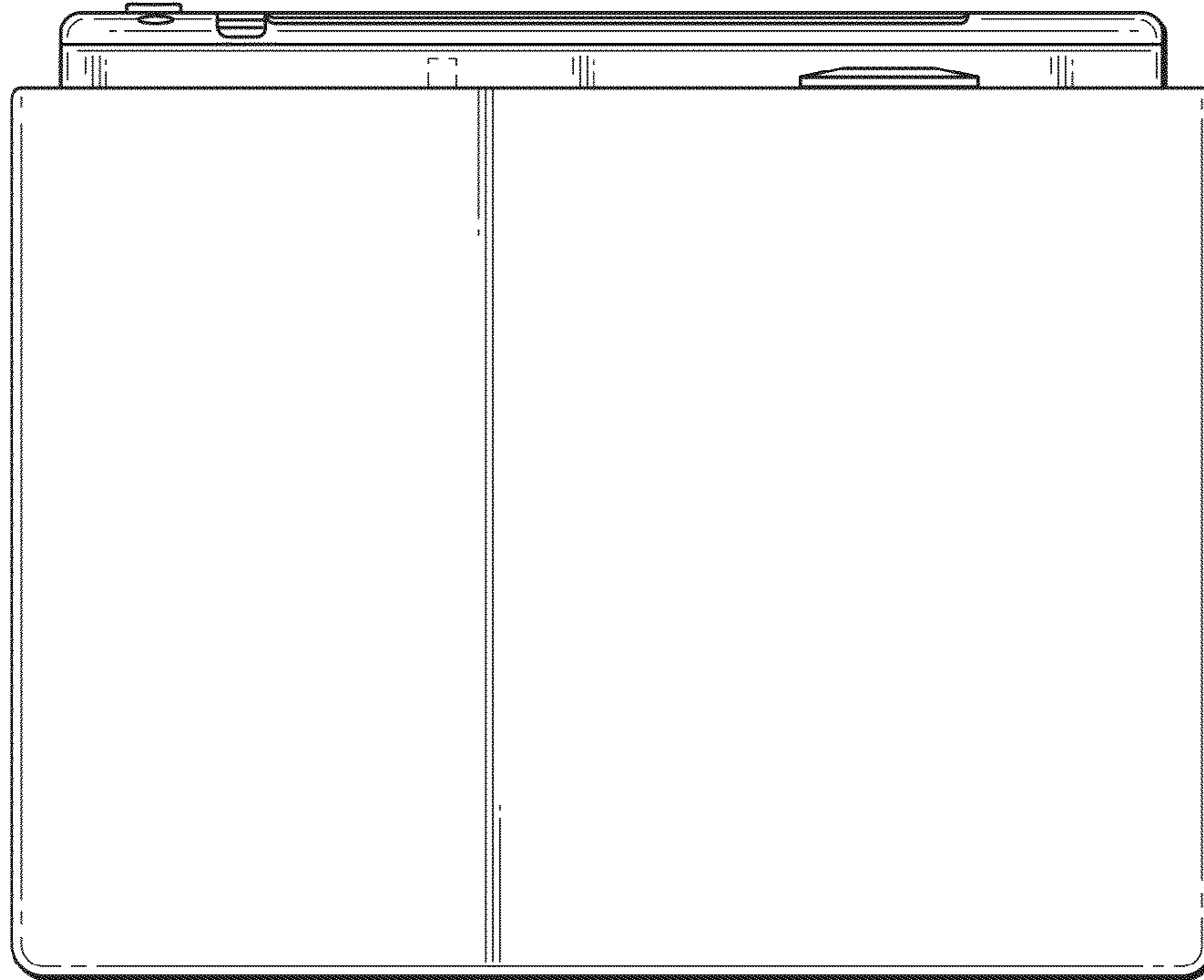


FIG. 2

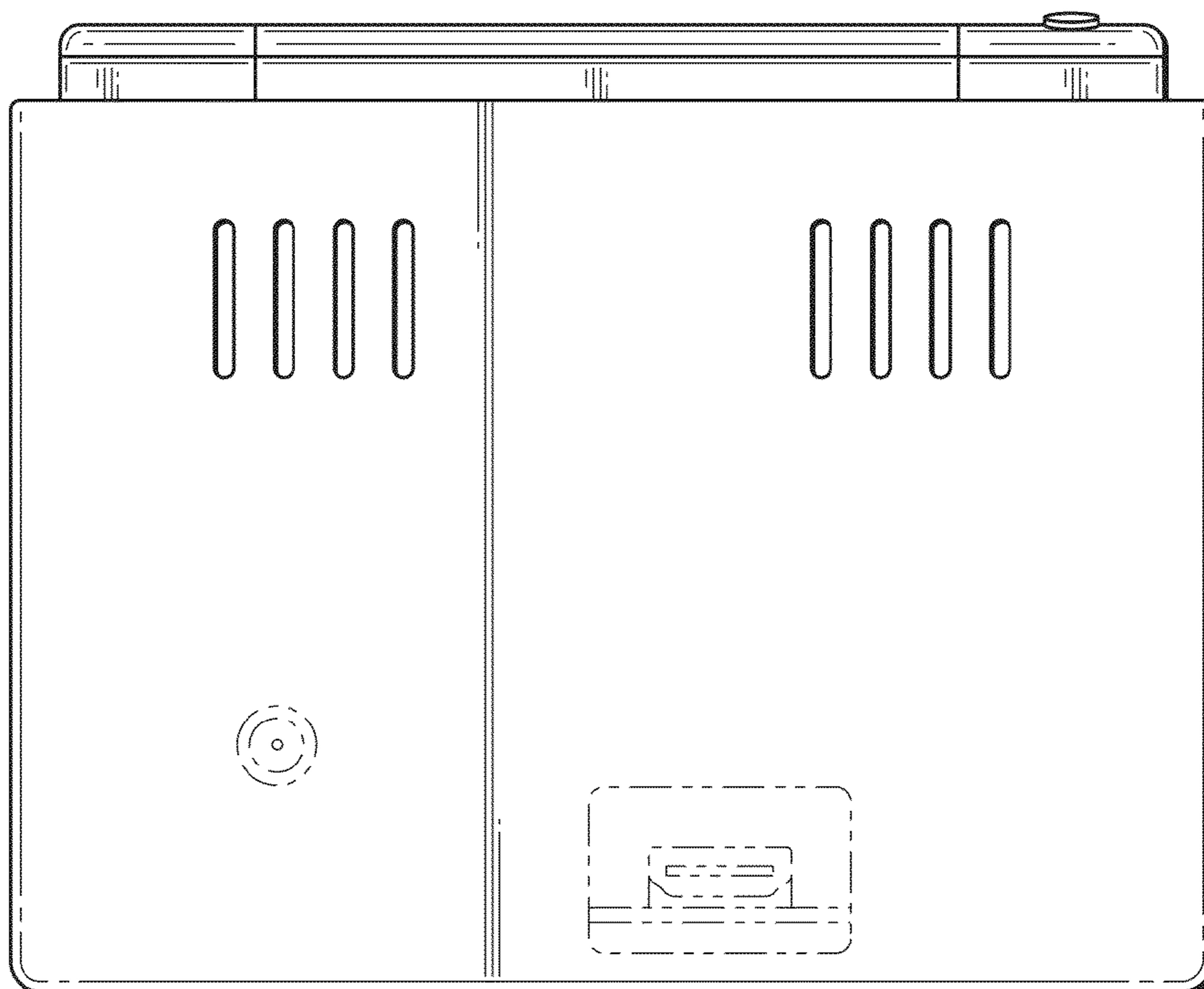


FIG. 3

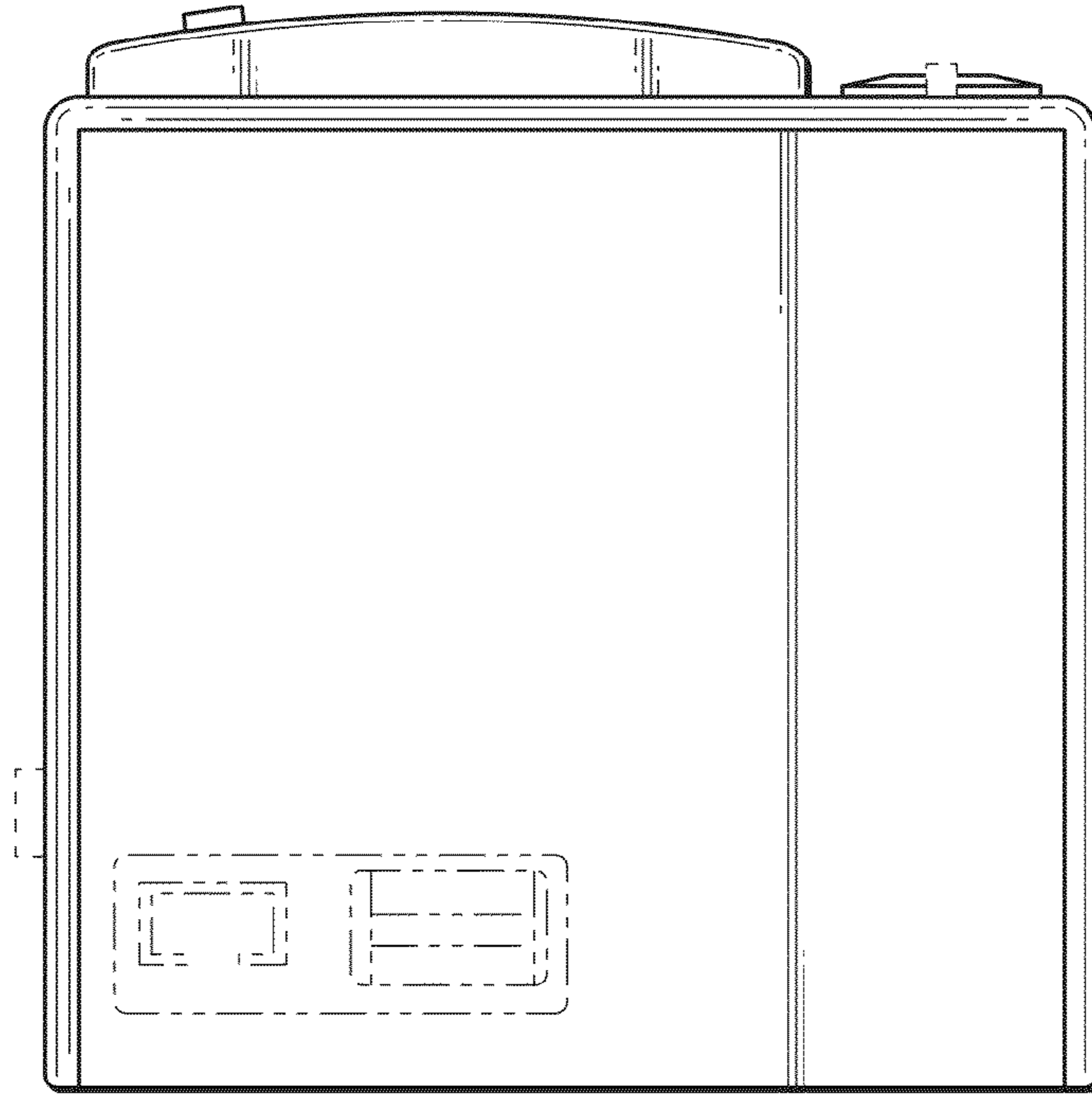


FIG. 4

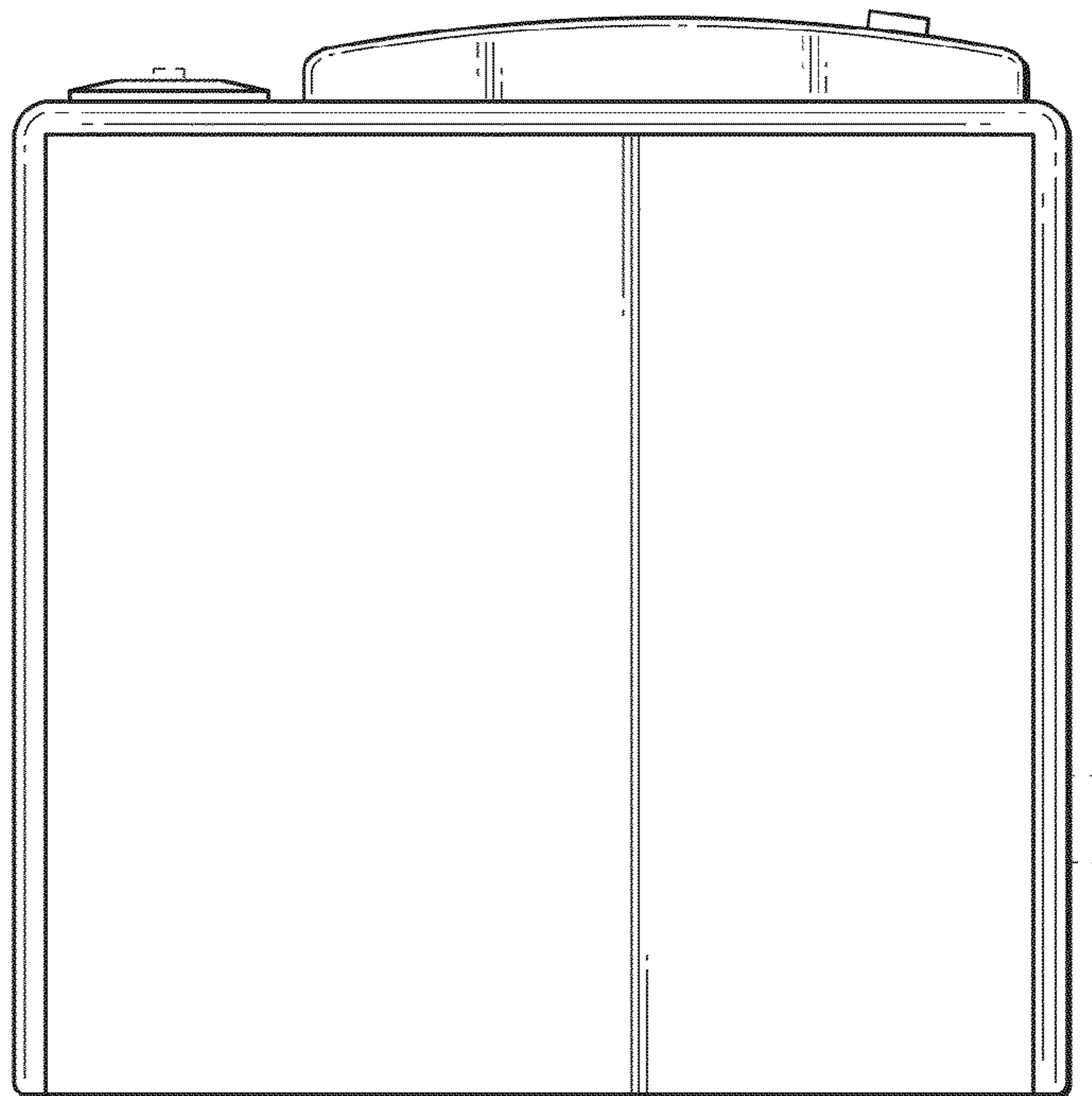


FIG. 5

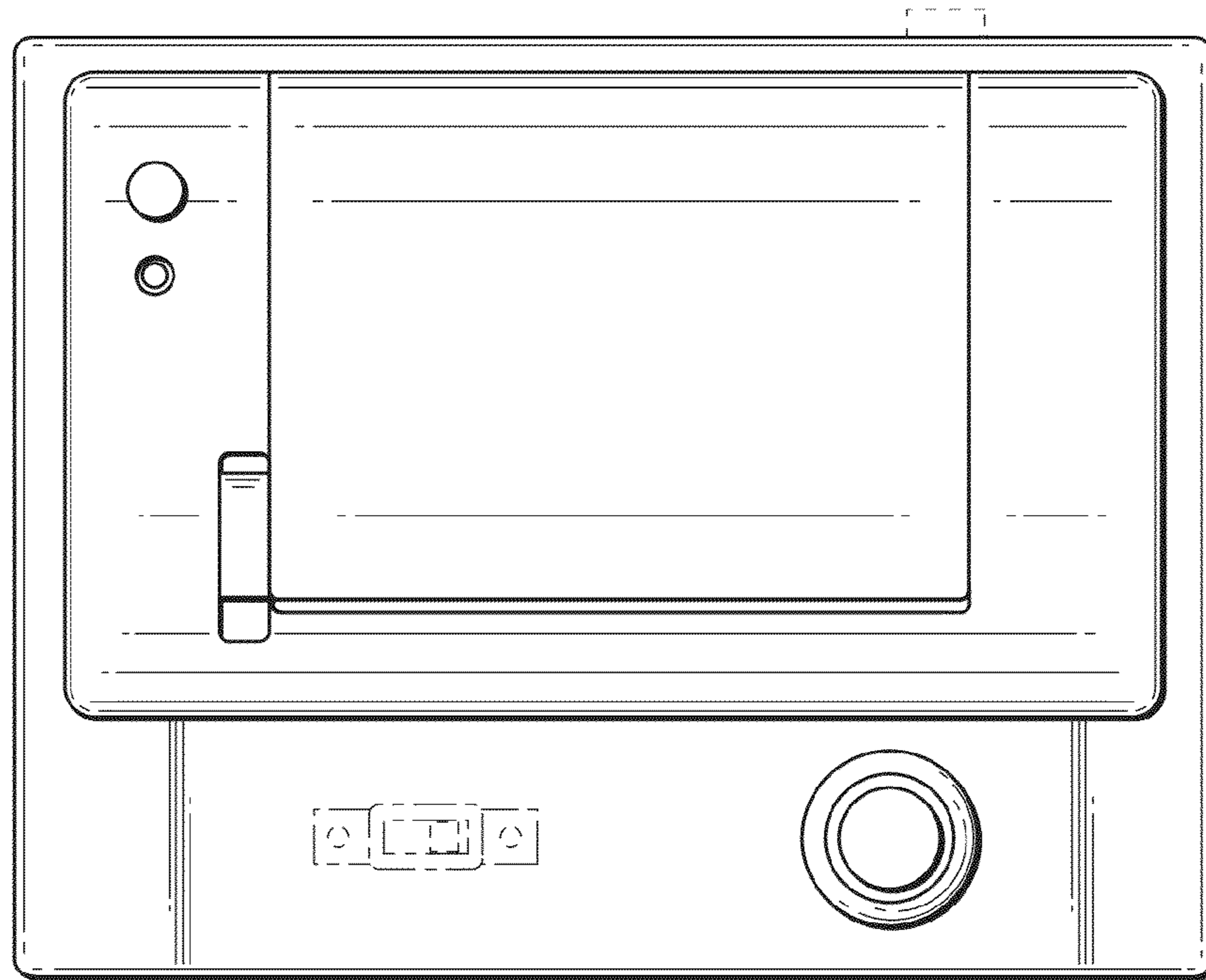


FIG. 6

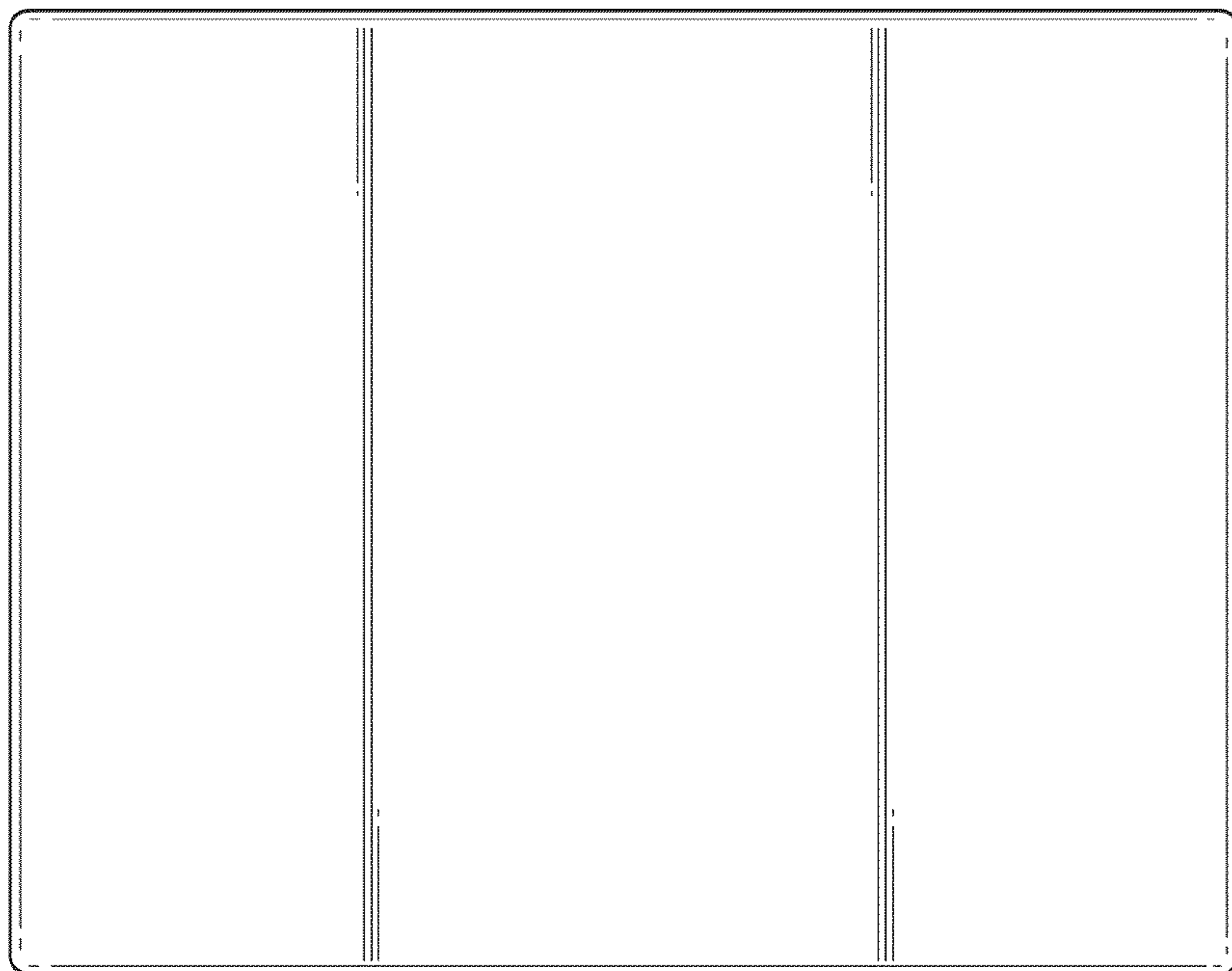


FIG. 7