

US00D721125S

(12) **United States Design Patent**
Anthony

(10) **Patent No.:** **US D721,125 S**
(45) **Date of Patent:** **** Jan. 13, 2015**

(54) **EYE GLASSES**

(71) Applicant: **Orion Anthony**, North Vancouver (CA)

(72) Inventor: **Orion Anthony**, North Vancouver (CA)

(**) Term: **14 Years**

(21) Appl. No.: **29/497,567**

(22) Filed: **Jul. 25, 2014**

(51) **LOC (10) Cl.** **16-06**

(52) **U.S. Cl.**
USPC **D16/309; D16/337; D16/326**

(58) **Field of Classification Search**
CPC G02C 2200/08; G02C 1/06
USPC D16/101, 300-342, 900; D29/109-110;
351/41, 44, 51-52, 62, 158, 92,
351/103-123, 140-153, 63, 59, 45-46;
2/426-432, 447-449, 441, 434-437,
2/13, 15; D21/483, 659-661; D14/372

See application file for complete search history.

(56) **References Cited**

U.S. PATENT DOCUMENTS

1,021,175 A *	3/1912	Willson	2/449
D135,192 S *	3/1943	Severy	D16/325
D392,306 S *	3/1998	Arnette	D16/326
D398,623 S *	9/1998	Murai	D16/325
D451,121 S *	11/2001	Lepeu et al.	D16/328
D453,024 S *	1/2002	Bonnemere	D16/309

* cited by examiner

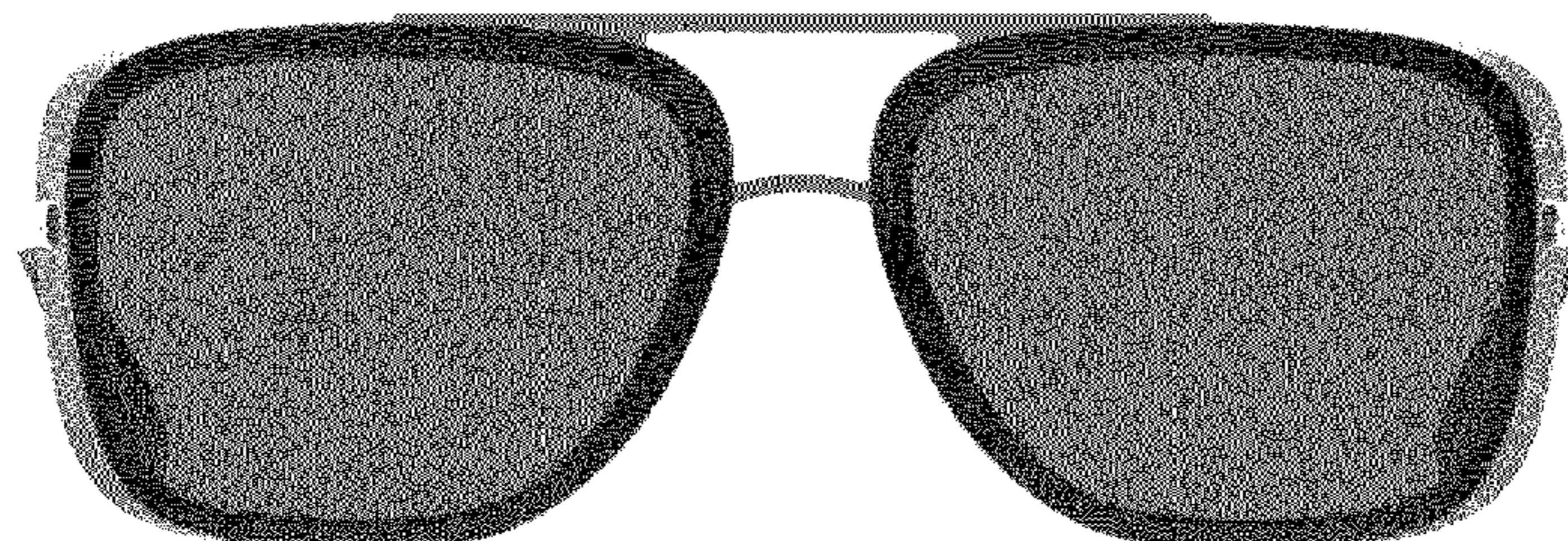
Primary Examiner — Raphael Barkai

(57) **CLAIM**
The ornamental design for eye glasses, as shown and described.

DESCRIPTION

FIG. 1 is a front left perspective view of the new design;
FIG. 2 is a rear left perspective view thereof;
FIG. 3 is a rear right perspective view thereof;
FIG. 4 is a front view thereof;
FIG. 5 is a back view thereof;
FIG. 6 is a top view thereof;
FIG. 7 is a bottom view thereof;
FIG. 8 is a left side view thereof; and,
FIG. 9 is a right side view thereof.

1 Claim, 5 Drawing Sheets



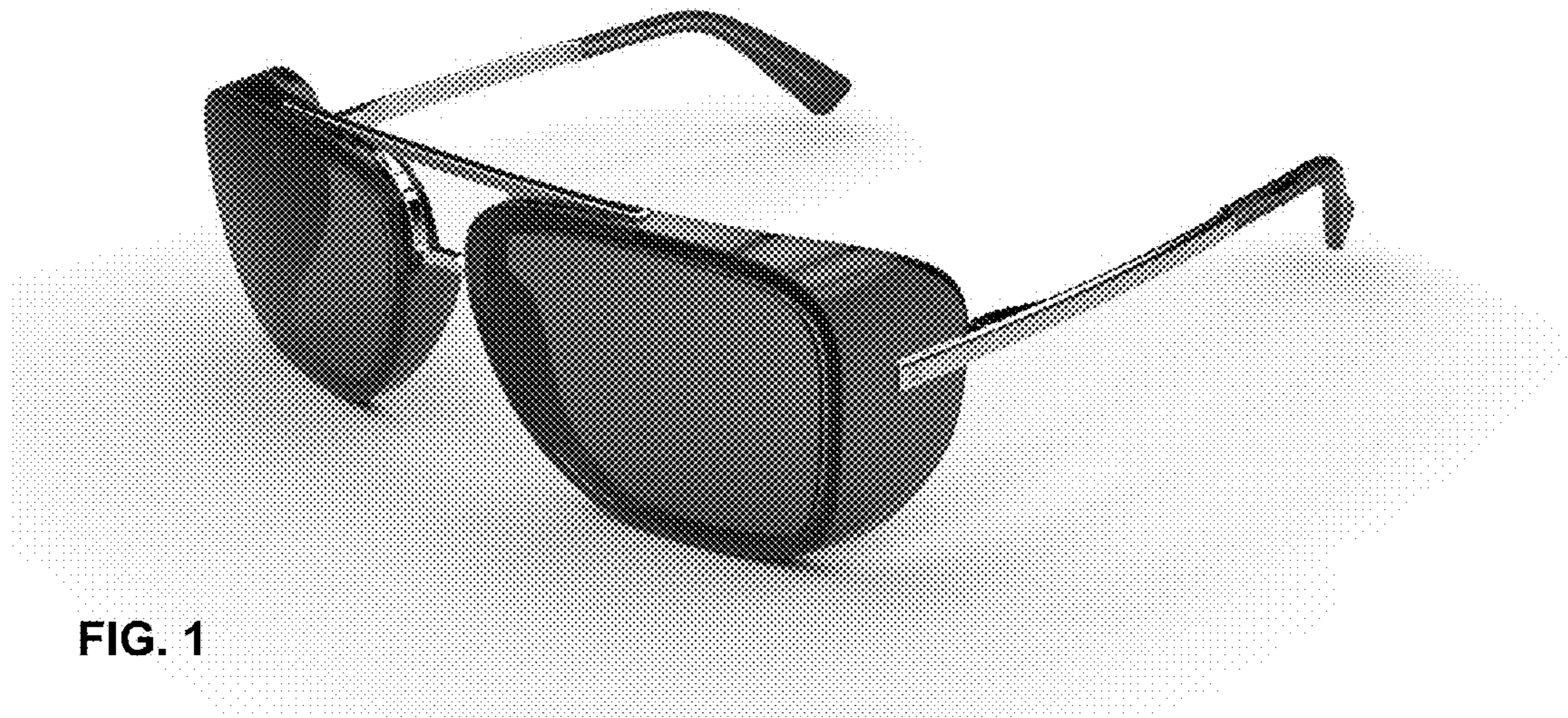


FIG. 1



FIG. 2

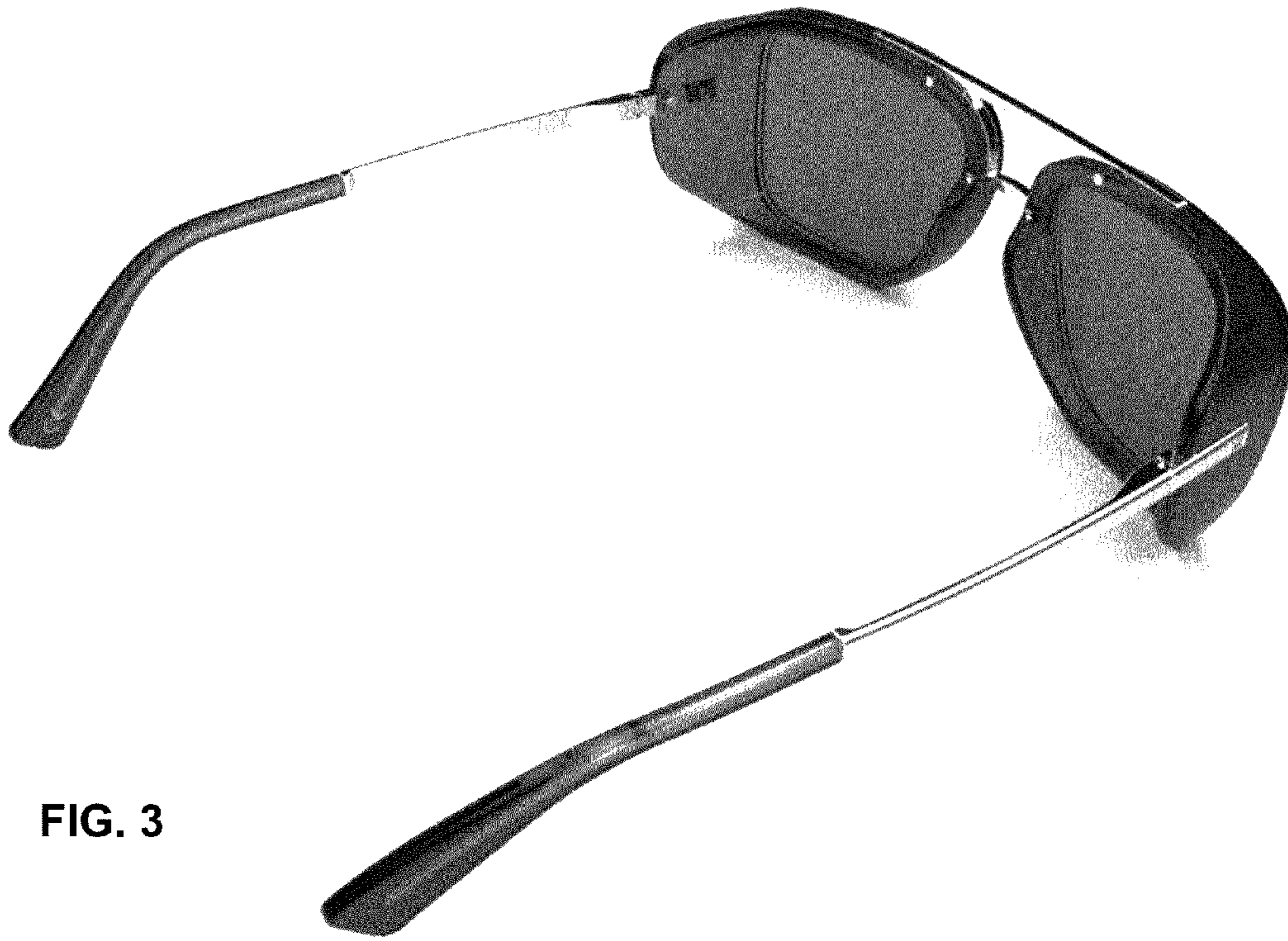


FIG. 3

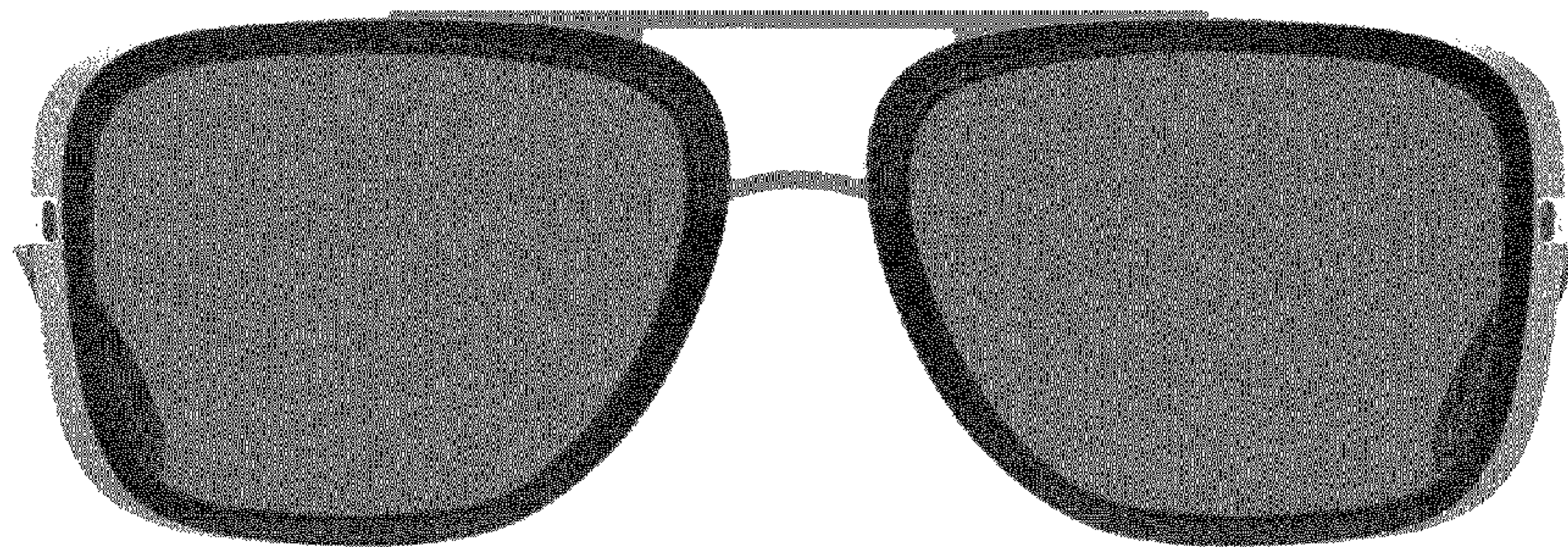


FIG. 4

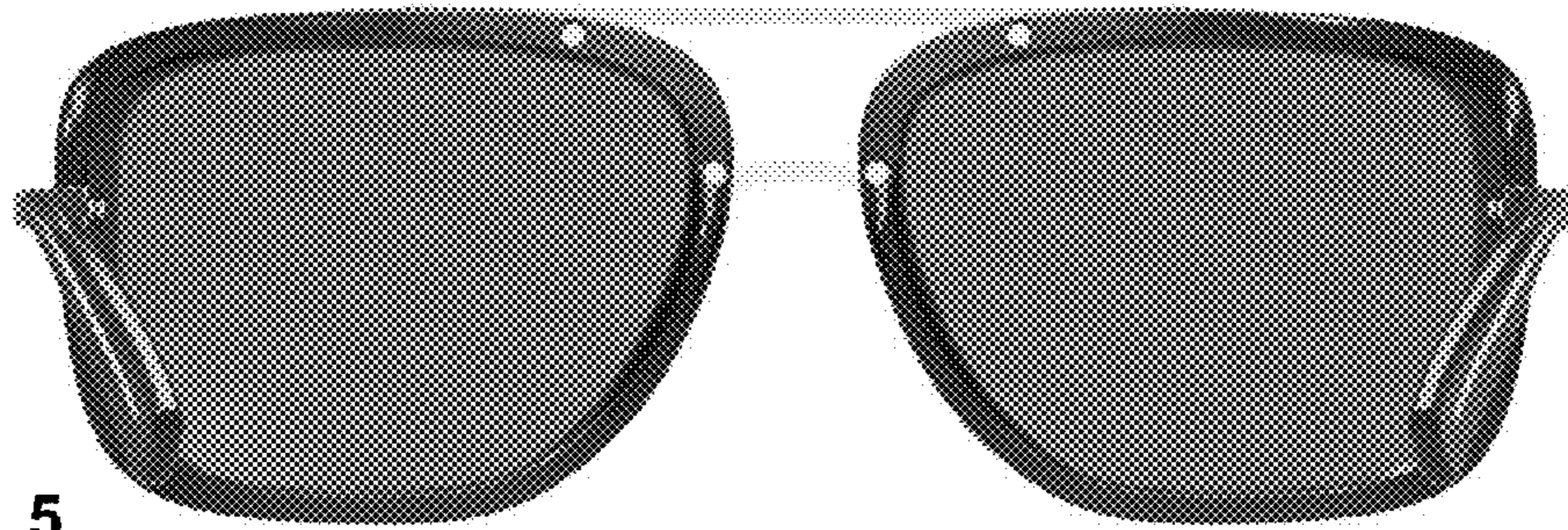


FIG. 5

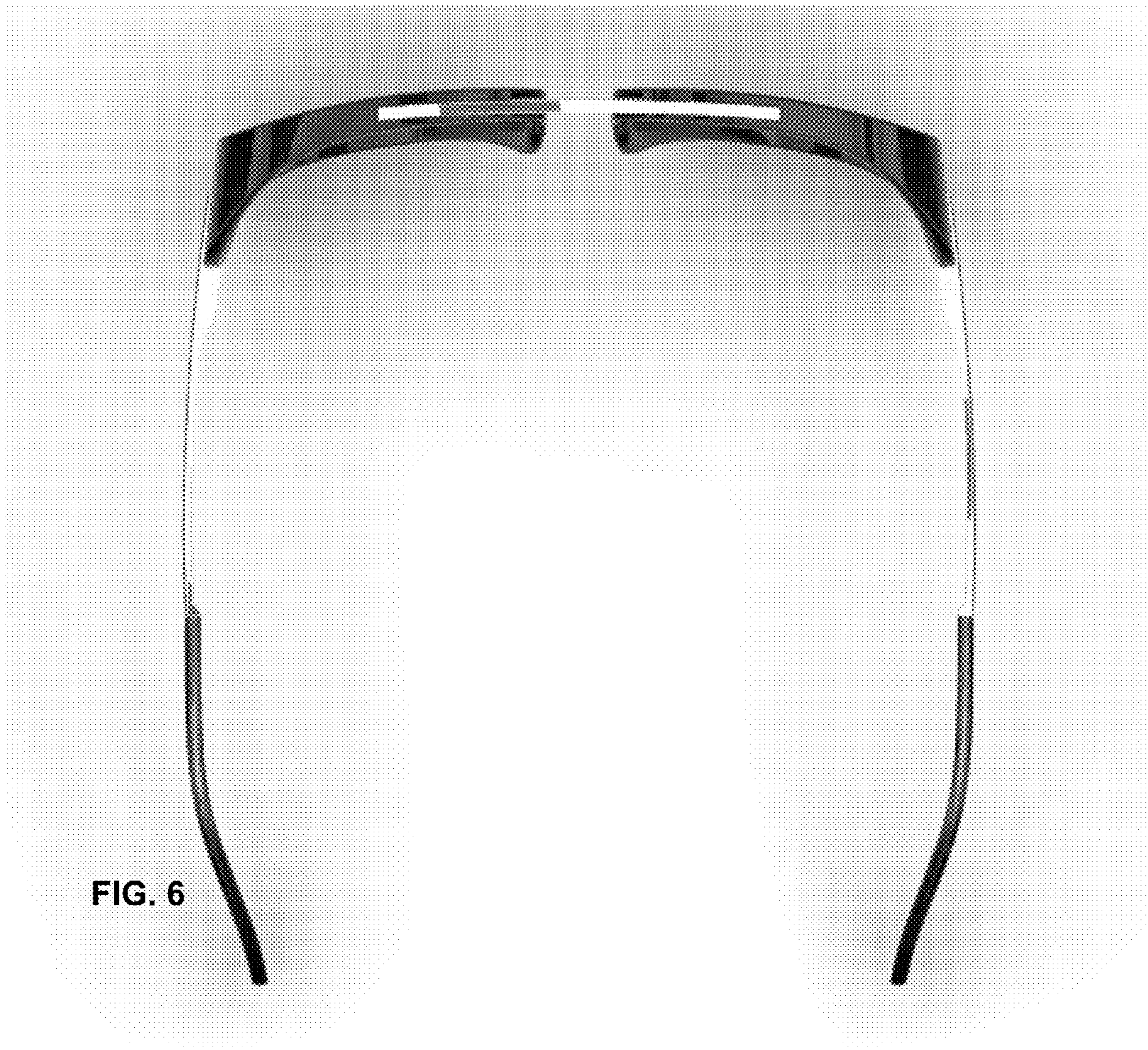


FIG. 6



FIG. 7

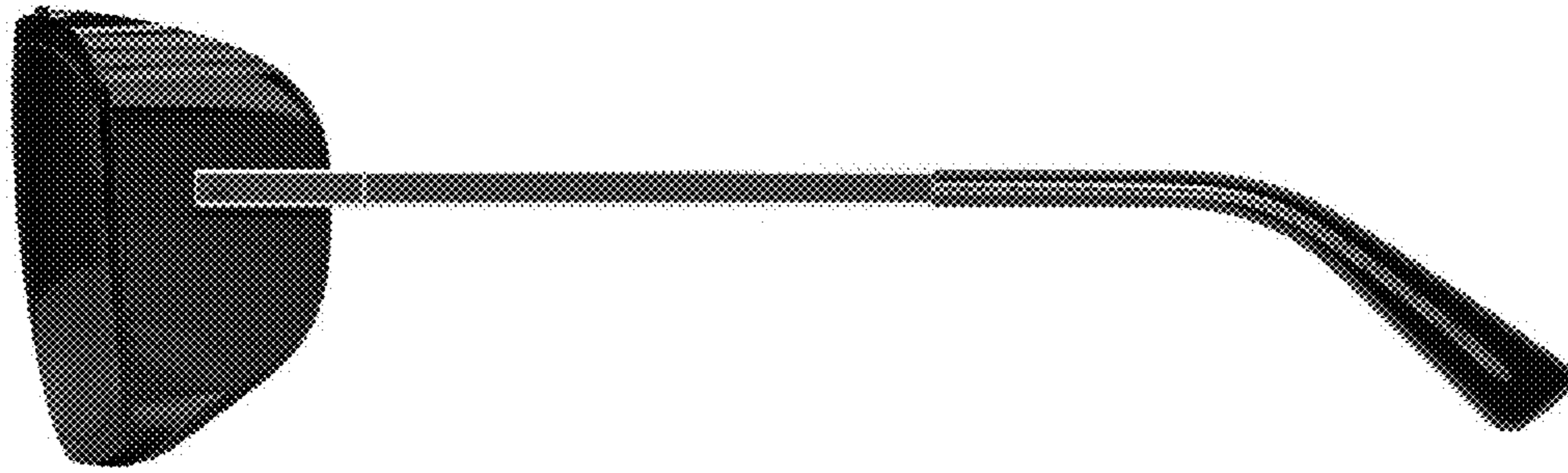


FIG. 8

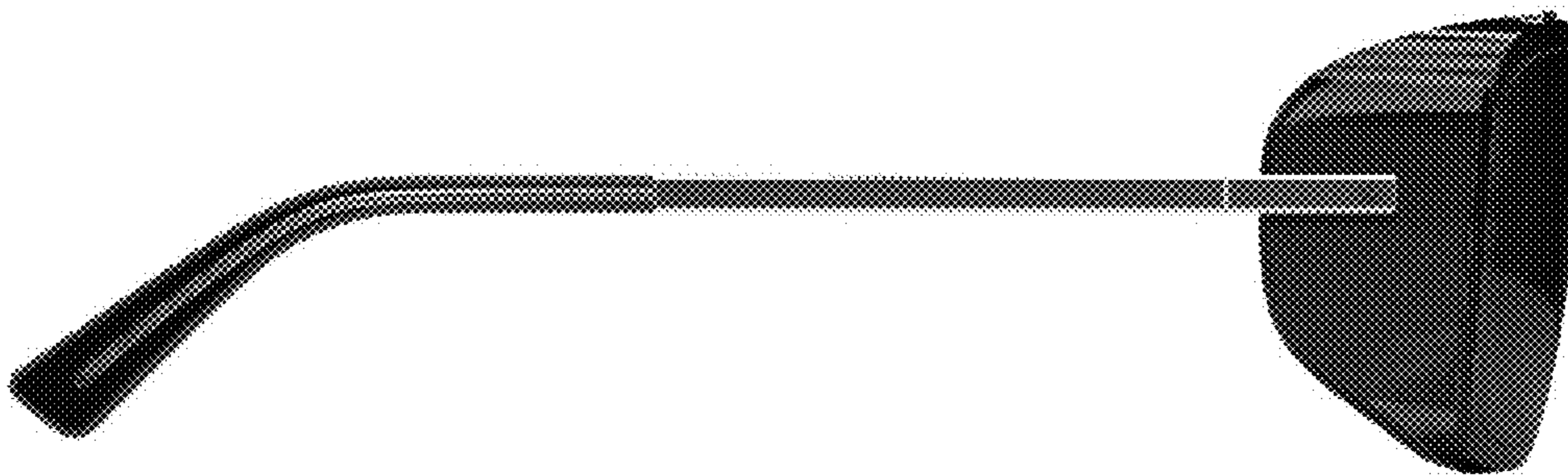


FIG. 9