



US00D721122S

(12) **United States Design Patent**
Rivkin et al.

(10) **Patent No.:** **US D721,122 S**
(45) **Date of Patent:** **** Jan. 13, 2015**

(54) **OPTICS MOUNT**

(71) Applicant: **N-Vision Optics, LLC**, Needham, MA (US)

(72) Inventors: **Maxim Rivkin**, Newton, MA (US);
Gintautas Narkevicius, Whitman, MA (US); **Maciej Wojcik**, Webster, MA (US)

(73) Assignee: **N-Vision Optics, LLC**, Needham, MA (US)

(**) Term: **14 Years**

(21) Appl. No.: **29/461,192**

(22) Filed: **Jul. 19, 2013**

(51) **LOC (10) Cl.** **16-05**

(52) **U.S. Cl.**
USPC **D16/242**

(58) **Field of Classification Search**
USPC D16/242; 219/56.21, 56.22, 86.9,
219/117.1, 119; 348/143, 335, 360;
359/409, 809, 814, 815, 819
See application file for complete search history.

(56) **References Cited**

U.S. PATENT DOCUMENTS

5,786,932	A	7/1998	Pniel	
6,462,867	B2 *	10/2002	Choinere	359/409
6,462,894	B1 *	10/2002	Moody	359/815
6,493,137	B1 *	12/2002	Solinsky et al.	359/409
6,930,721	B2 *	8/2005	Gelbard	348/360
7,126,078	B2 *	10/2006	Demers et al.	219/117.1
7,430,081	B2 *	9/2008	Woodard et al.	359/814
7,672,068	B2 *	3/2010	Woodard et al.	359/814
7,800,043	B2	9/2010	Filipovich et al.	
8,375,473	B2 *	2/2013	Celona et al.	2/422

2002/0135872	A1 *	9/2002	Choinere	359/409
2003/0218801	A1	11/2003	Korniski et al.	
2004/0021938	A1 *	2/2004	Filipovich et al.	359/409
2007/0279769	A1 *	12/2007	Floyd et al.	359/811
2009/0002851	A1 *	1/2009	Woodard et al.	359/815
2010/0118421	A1 *	5/2010	Woodard et al.	359/815
2012/0002046	A1 *	1/2012	Rapoport et al.	348/143
2012/0200917	A1	8/2012	Rivkin et al.	
2012/0200918	A1	8/2012	Rivkin et al.	
2013/0083391	A1 *	4/2013	Teetzel et al.	359/409

FOREIGN PATENT DOCUMENTS

EP	1 787 538	A1	5/2007
WO	WO 2006/065805	A2	6/2006
WO	WO 2007/002507	A2	1/2007

* cited by examiner

Primary Examiner — Susan Bennett Hattan

Assistant Examiner — Leanne Was

(74) *Attorney, Agent, or Firm* — Muirhead and Saturnelli, LLC

(57) **CLAIM**

The ornamental design for an optics mount, as shown and described.

DESCRIPTION

FIG. 1 is a perspective view from above showing the new design;

FIG. 2 is a perspective view from below thereof;

FIG. 3 is a front elevational view thereof;

FIG. 4 is a rear elevational view thereof;

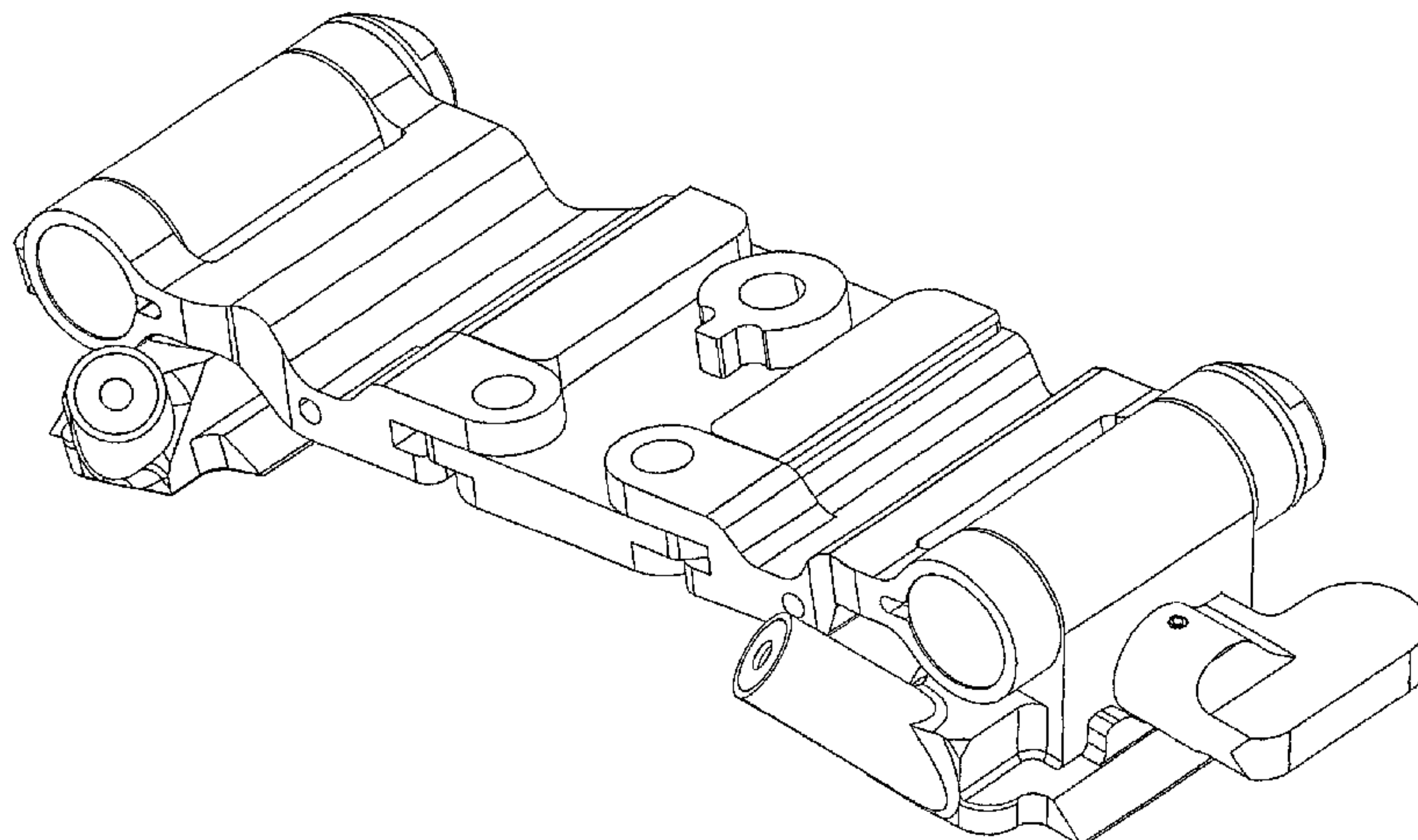
FIG. 5 is a top plan view thereof;

FIG. 6 is a bottom plan view thereof;

FIG. 7 is a left side elevational view thereof; and,

FIG. 8 is a right side elevational view thereof.

1 Claim, 8 Drawing Sheets



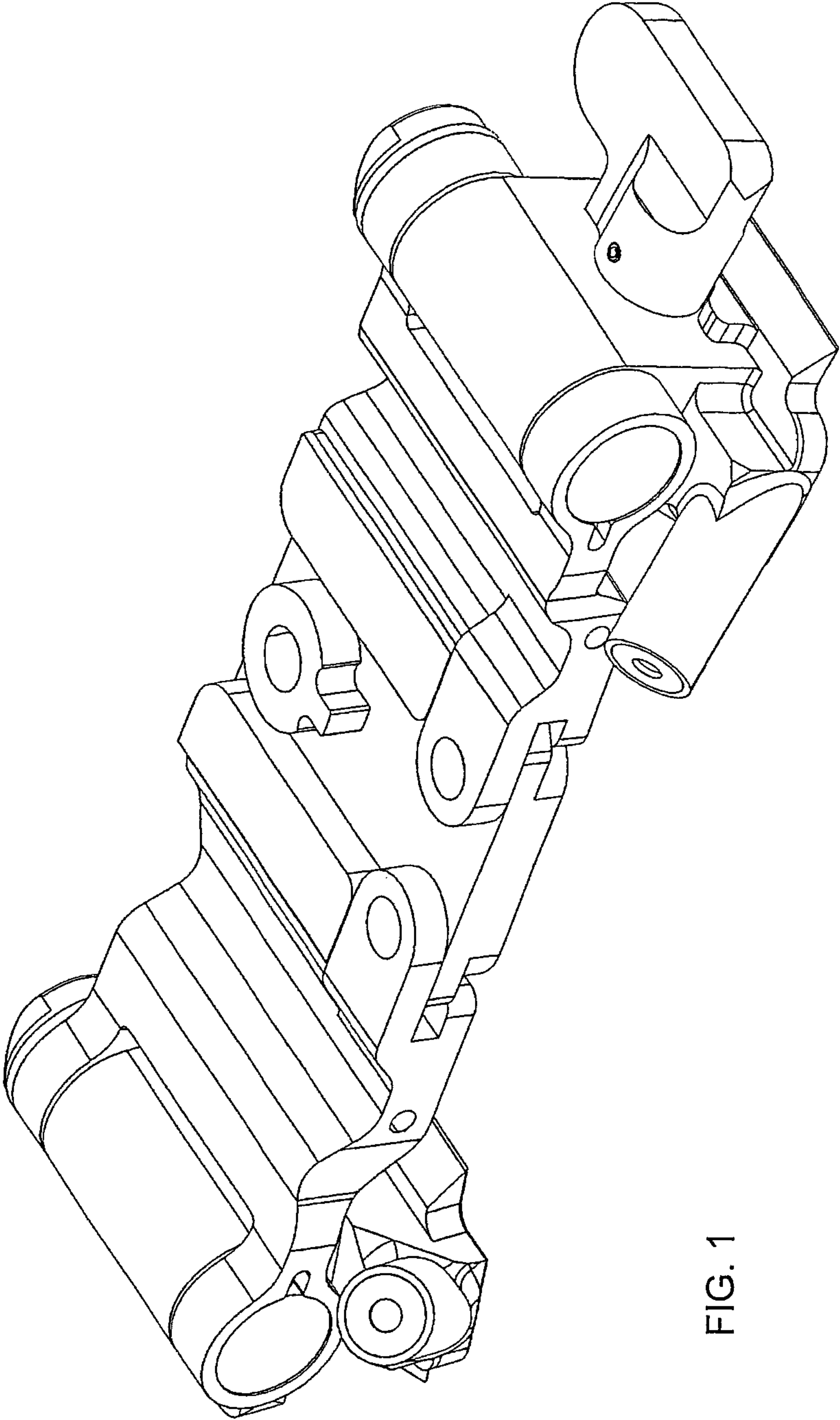


FIG. 1

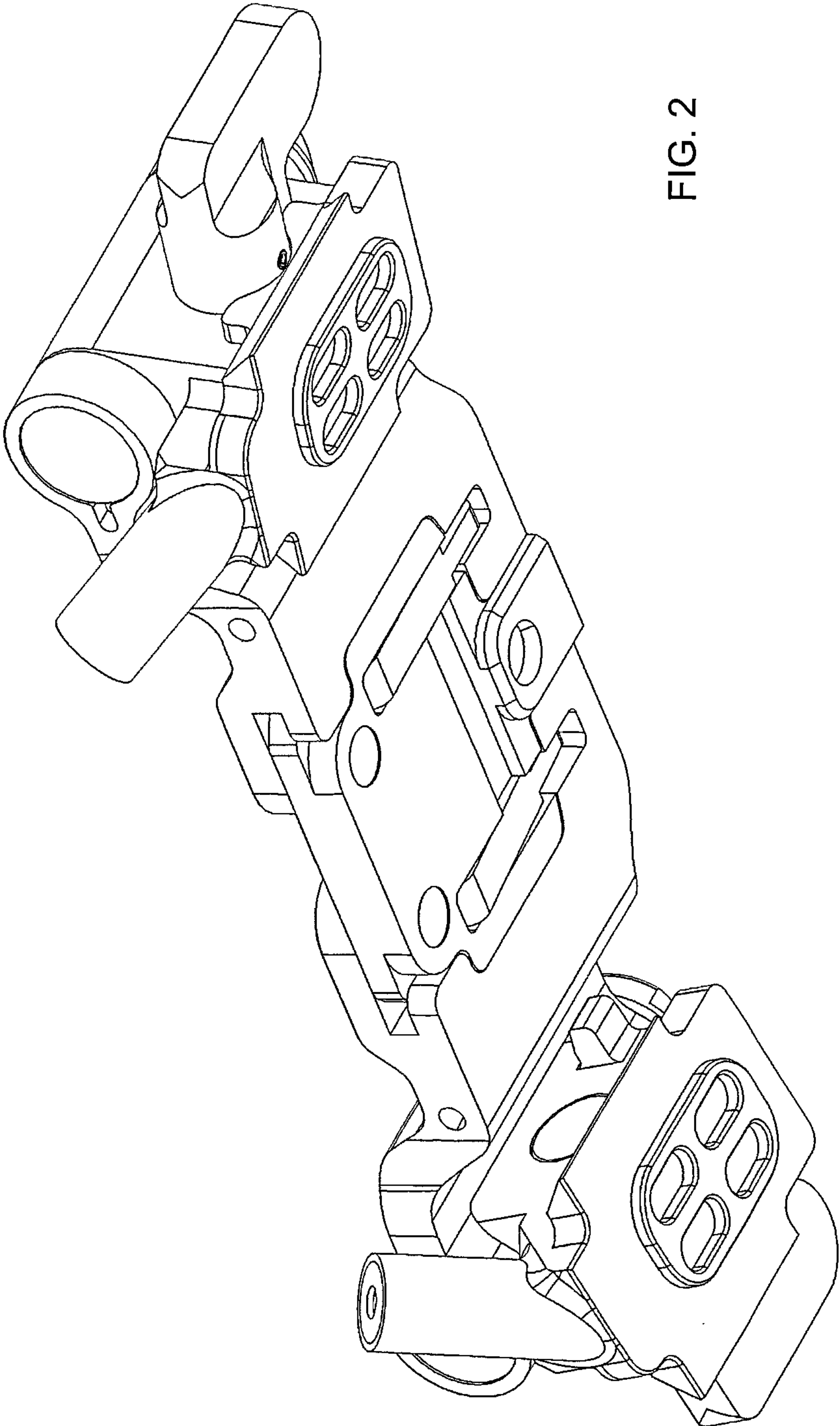


FIG. 2

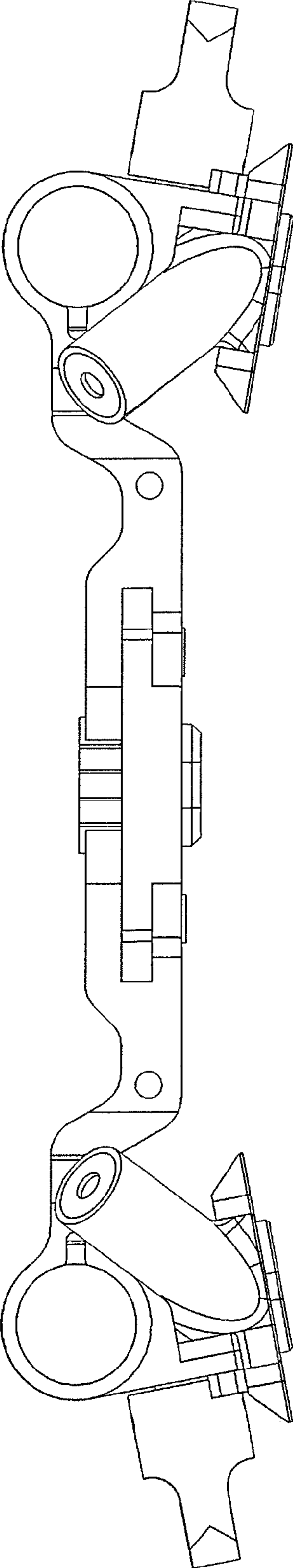


FIG. 3

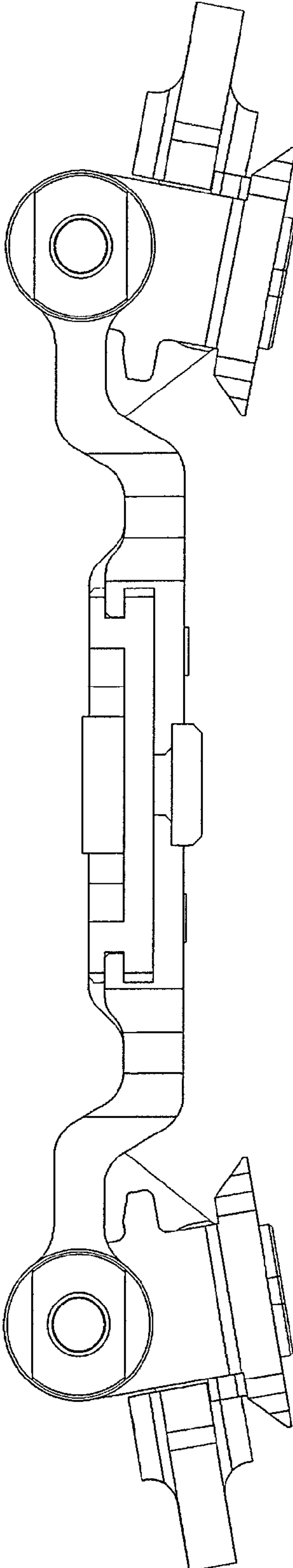


FIG. 4

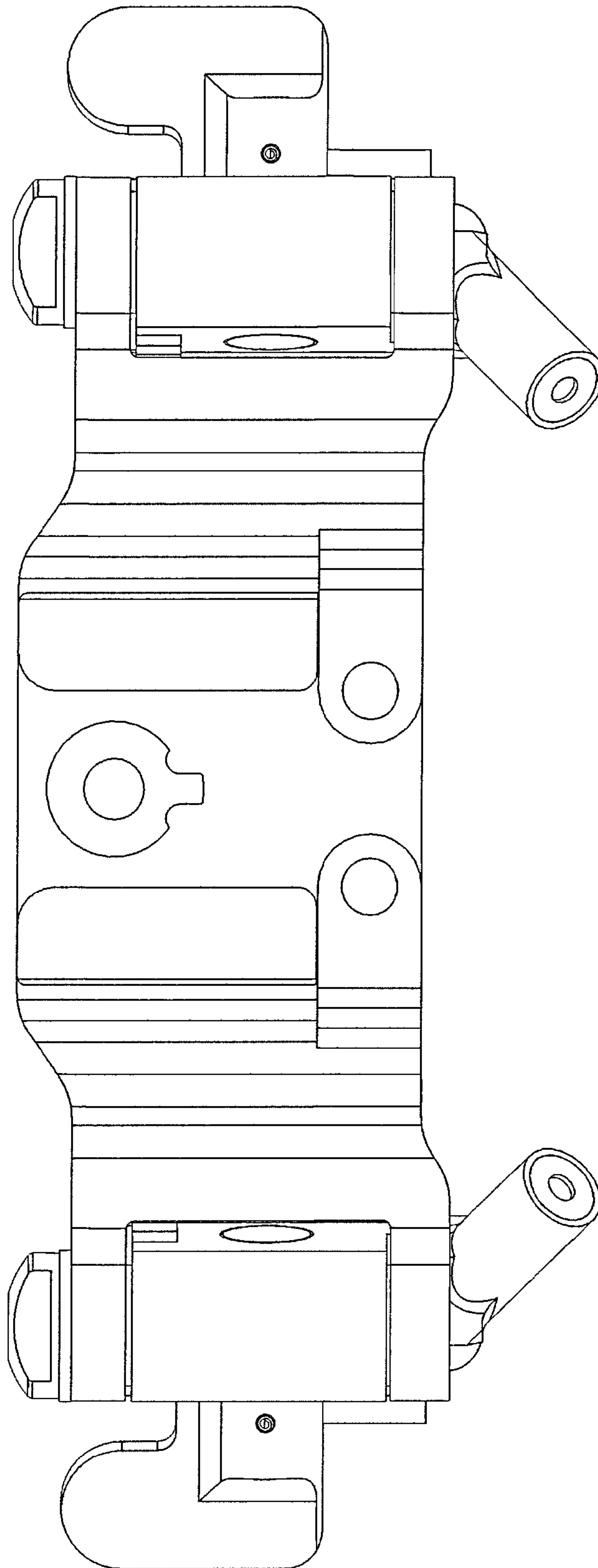


FIG. 5

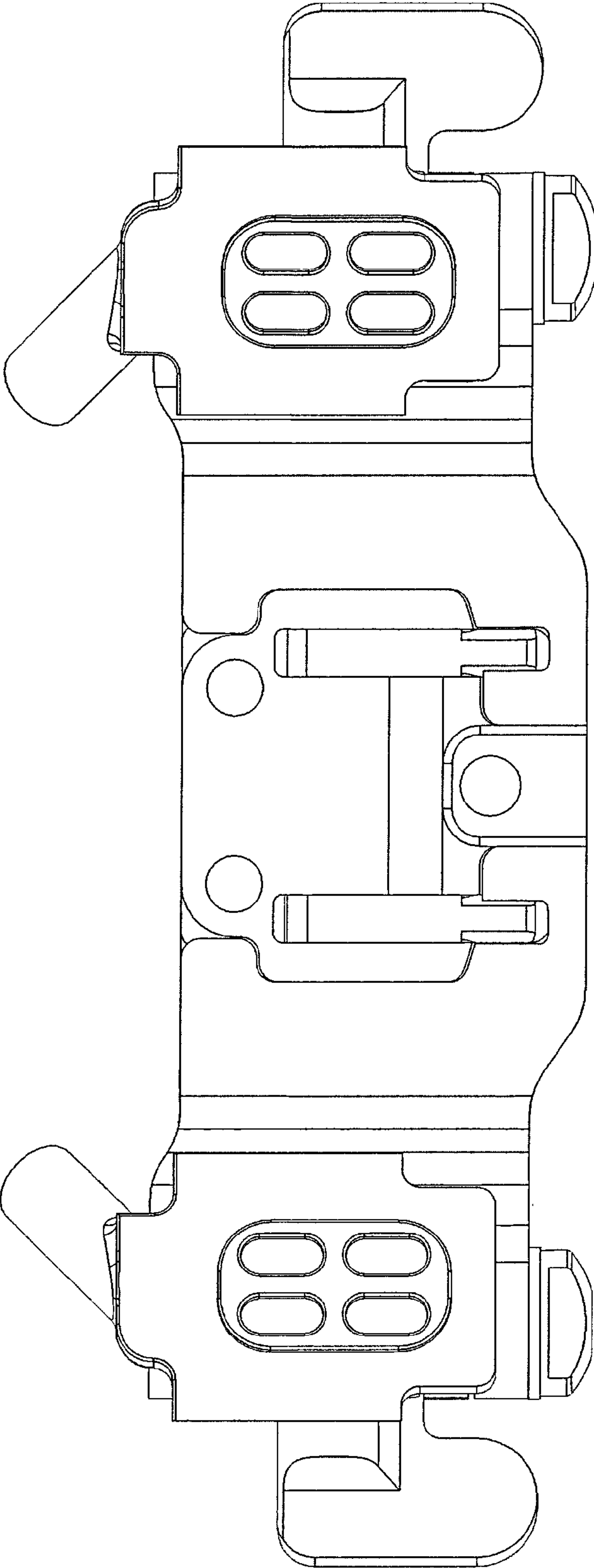


FIG. 6

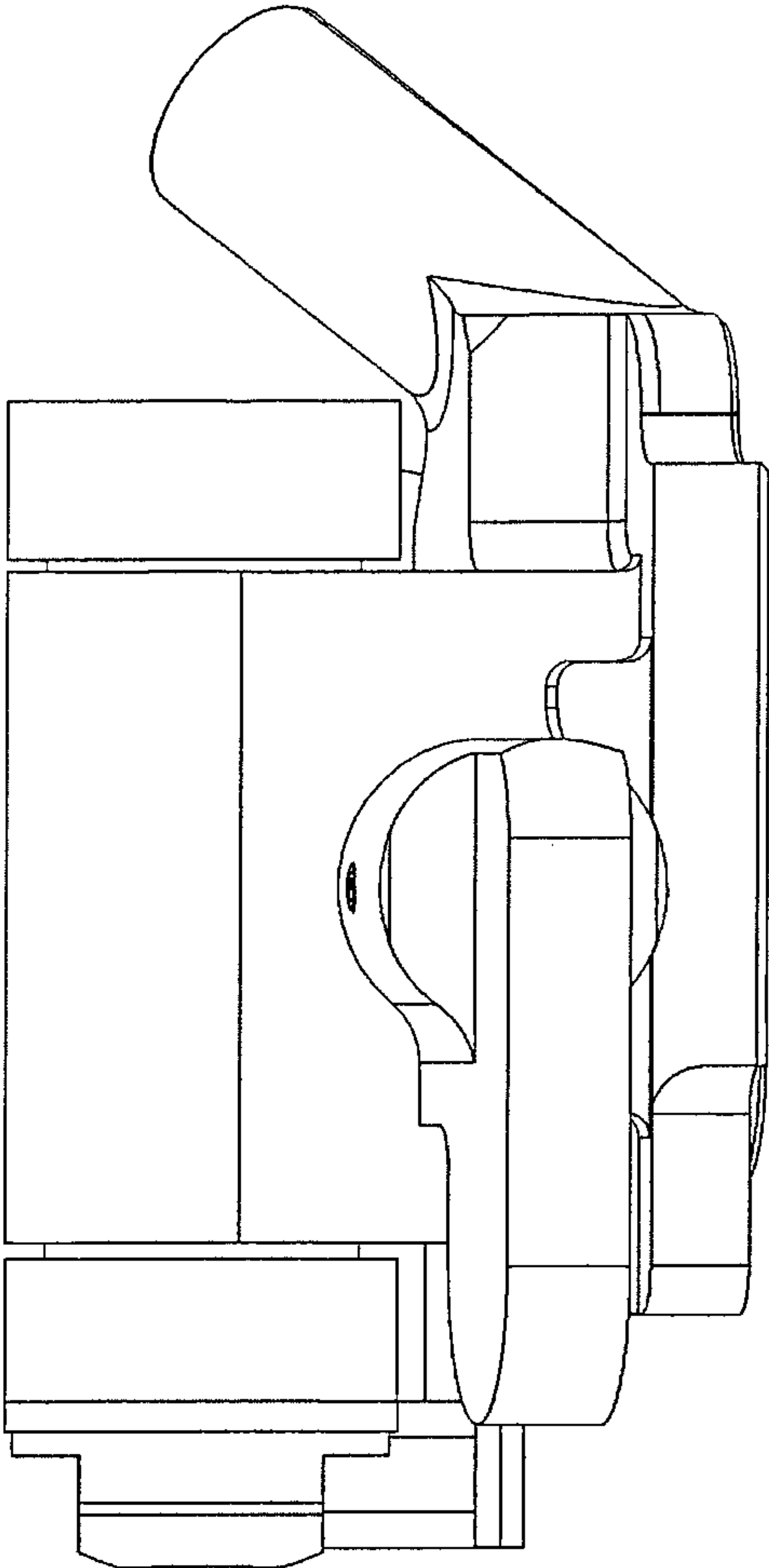


FIG. 7

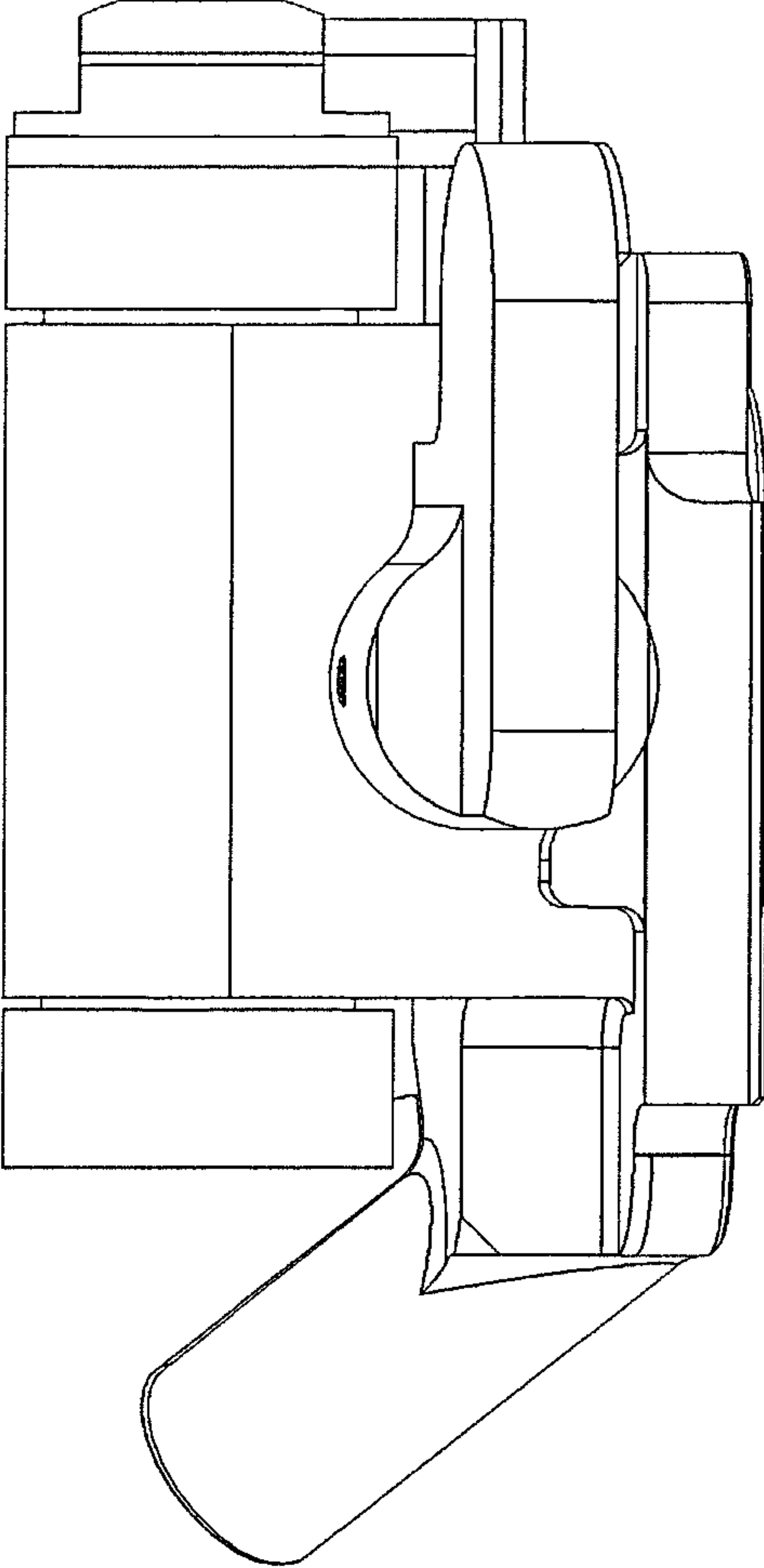


FIG. 8

UNITED STATES PATENT AND TRADEMARK OFFICE
CERTIFICATE OF CORRECTION

PATENT NO. : D721,122 S
APPLICATION NO. : 29/461192
DATED : January 13, 2015
INVENTOR(S) : Maxim Rivkin et al.

Page 1 of 1

It is certified that error appears in the above-identified patent and that said Letters Patent is hereby corrected as shown below:

On the Title Page, Item (56) should read as follows:

-- (56) References Cited

U.S. PATENT DOCUMENTS

4,449,787 A 5/1984 Burbo et al. --.

Signed and Sealed this
Fourteenth Day of April, 2015



Michelle K. Lee
Director of the United States Patent and Trademark Office